



US00D710114S

(12) **United States Design Patent**
Yao

(10) **Patent No.:** **US D710,114 S**

(45) **Date of Patent:** **** Aug. 5, 2014**

(54) **COMB**

(56) **References Cited**

U.S. PATENT DOCUMENTS

(71) Applicant: **Ningbo Shunqiziran Arts and Crafts Co., Ltd., Zhejiang (CN)**

D461,316 S *	8/2002	Park	D4/128
D479,916 S *	9/2003	Park	D4/128
D518,644 S *	4/2006	Park	D4/128
D543,363 S *	5/2007	Leung	D4/128
D557,018 S *	12/2007	Park	D4/128
D653,038 S *	1/2012	Park	D4/128
D679,910 S *	4/2013	Nimsgern	D4/128
D696,026 S *	12/2013	Park	D4/128
D696,028 S *	12/2013	Park	D4/128
D696,868 S *	1/2014	Schouten et al.	D4/138

(72) Inventor: **Daqiu Yao, Ningbo (CN)**

(73) Assignee: **Ningbo Shunqiziran Arts and Crafts Co., Ltd., Ningbo, Zhejiang (CN)**

(**) Term: **14 Years**

* cited by examiner

(21) Appl. No.: **29/479,330**

Primary Examiner — Austin Murphy

(22) Filed: **Jan. 14, 2014**

(74) *Attorney, Agent, or Firm* — Raymond Y. Chan; David and Raymond Patent Firm

(51) **LOC (10) Cl.** **04-02**

(57) **CLAIM**

The ornamental design for a comb, as shown and described.

(52) **U.S. Cl.**

DESCRIPTION

USPC **D4/128**

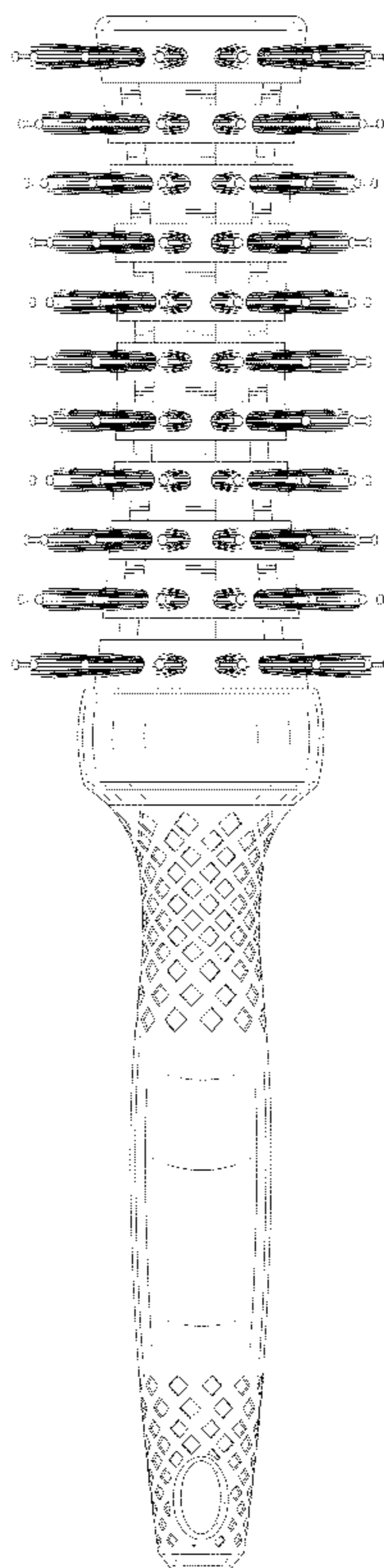
(58) **Field of Classification Search**

USPC D4/128, 129, 131, 136, 138, 108, 109,
D4/119; D32/35, 51; 15/104.5, 104.16,
15/104.2, 104.31, 104.32, 164, 165, 206;
D28/65; D7/682; 452/298, 458

FIG. 1 is a perspective view of comb showing my new design.
FIG. 2 is a front view thereof.
FIG. 3 is a rear view thereof.
FIG. 4 is a left view thereof.
FIG. 5 is a right view thereof.
FIG. 6 is a top view thereof; and,
FIG. 7 is a bottom view thereof.

See application file for complete search history.

1 Claim, 6 Drawing Sheets



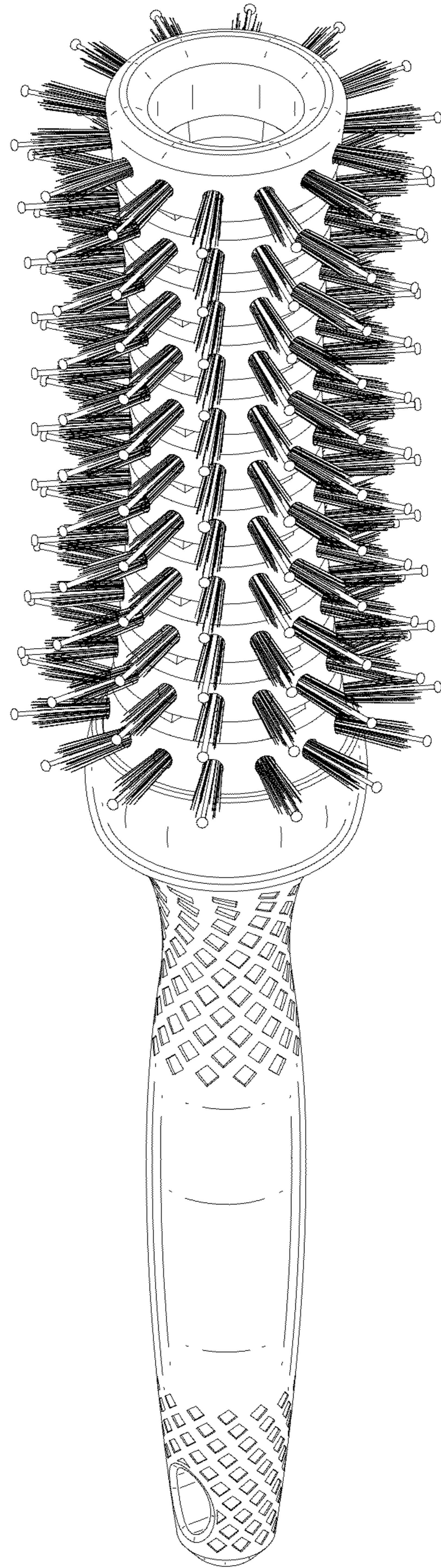


FIG. 1

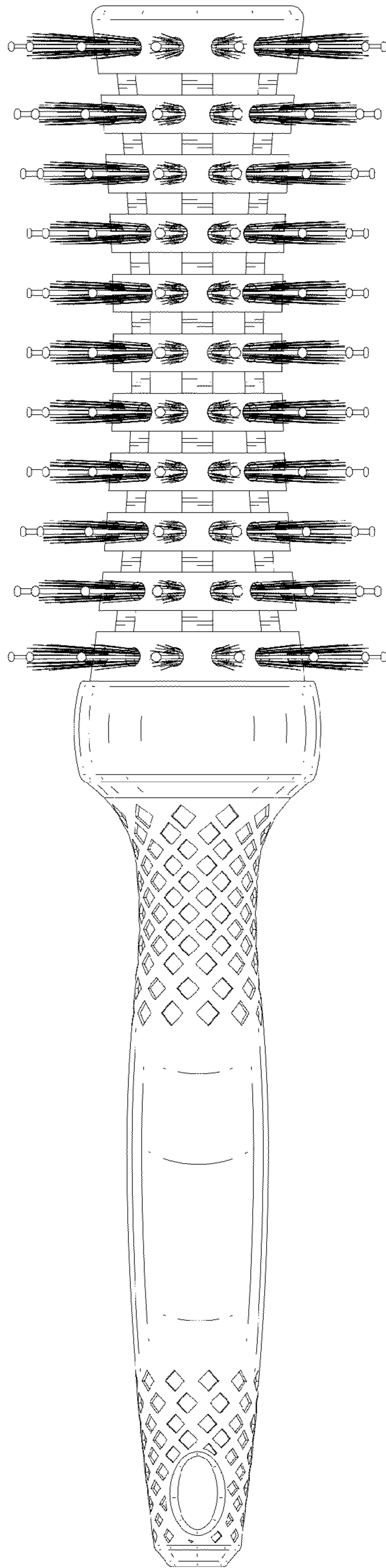


FIG.2

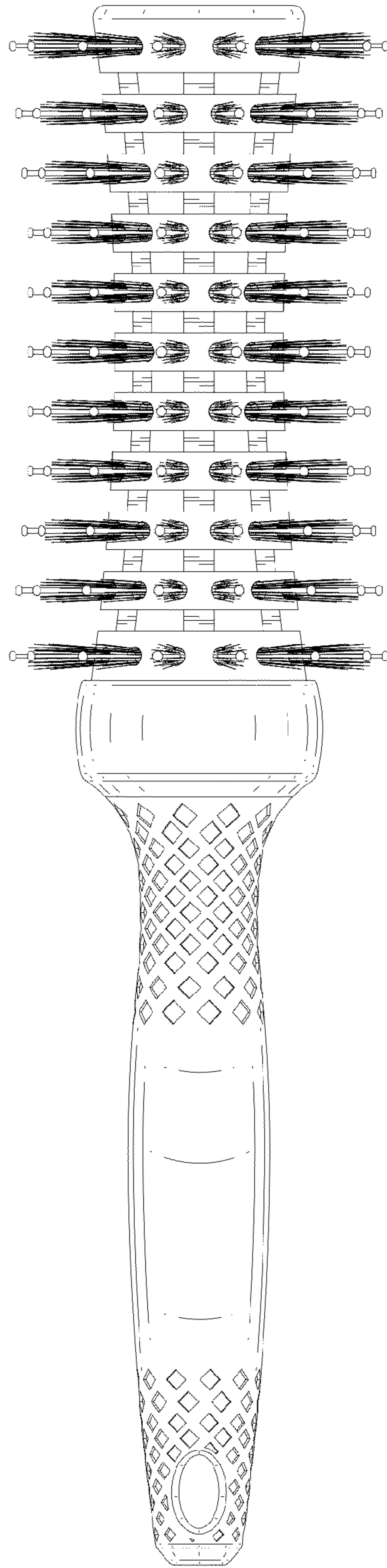


FIG.3

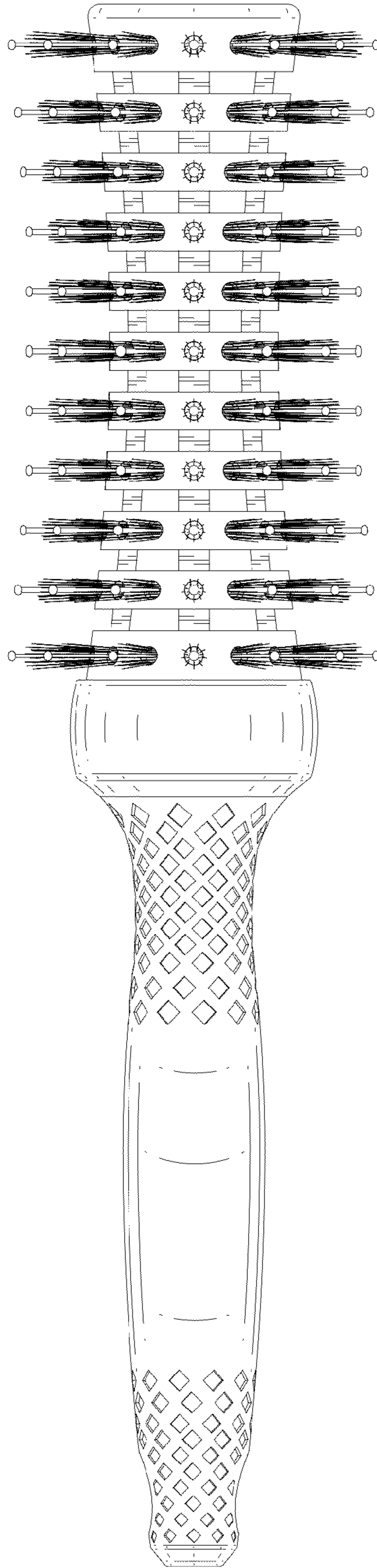


FIG.4

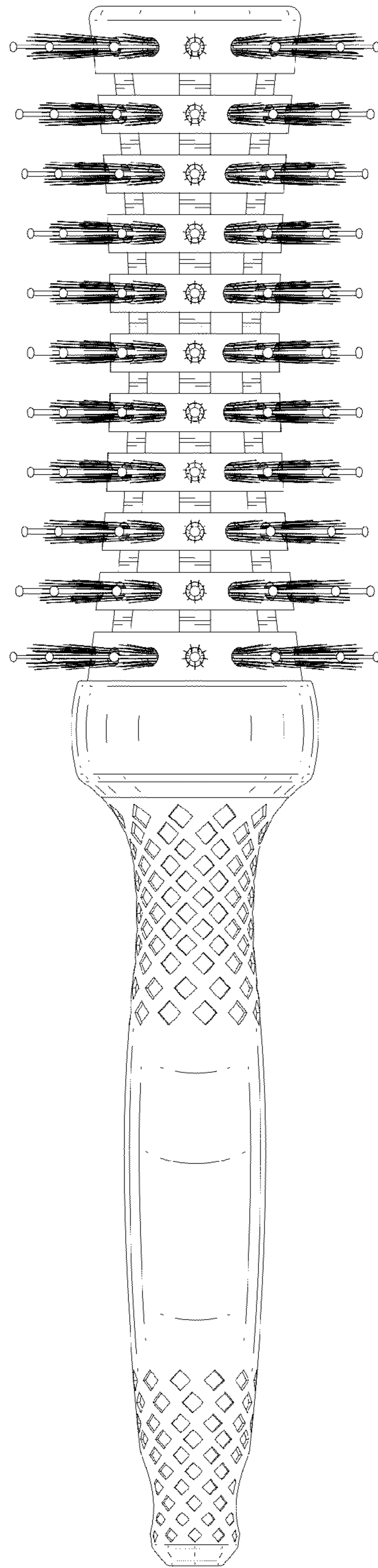


FIG.5

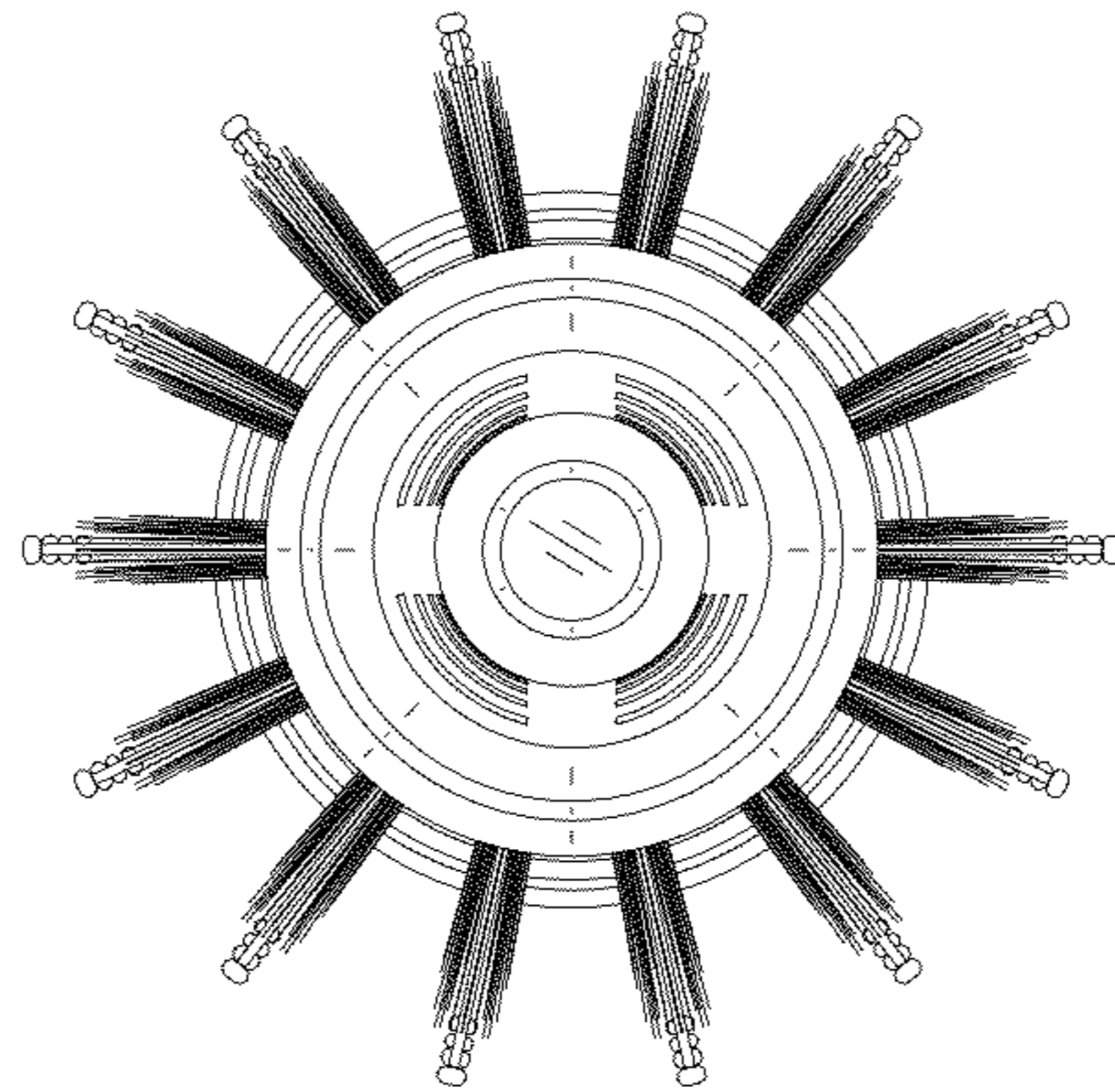


FIG. 6

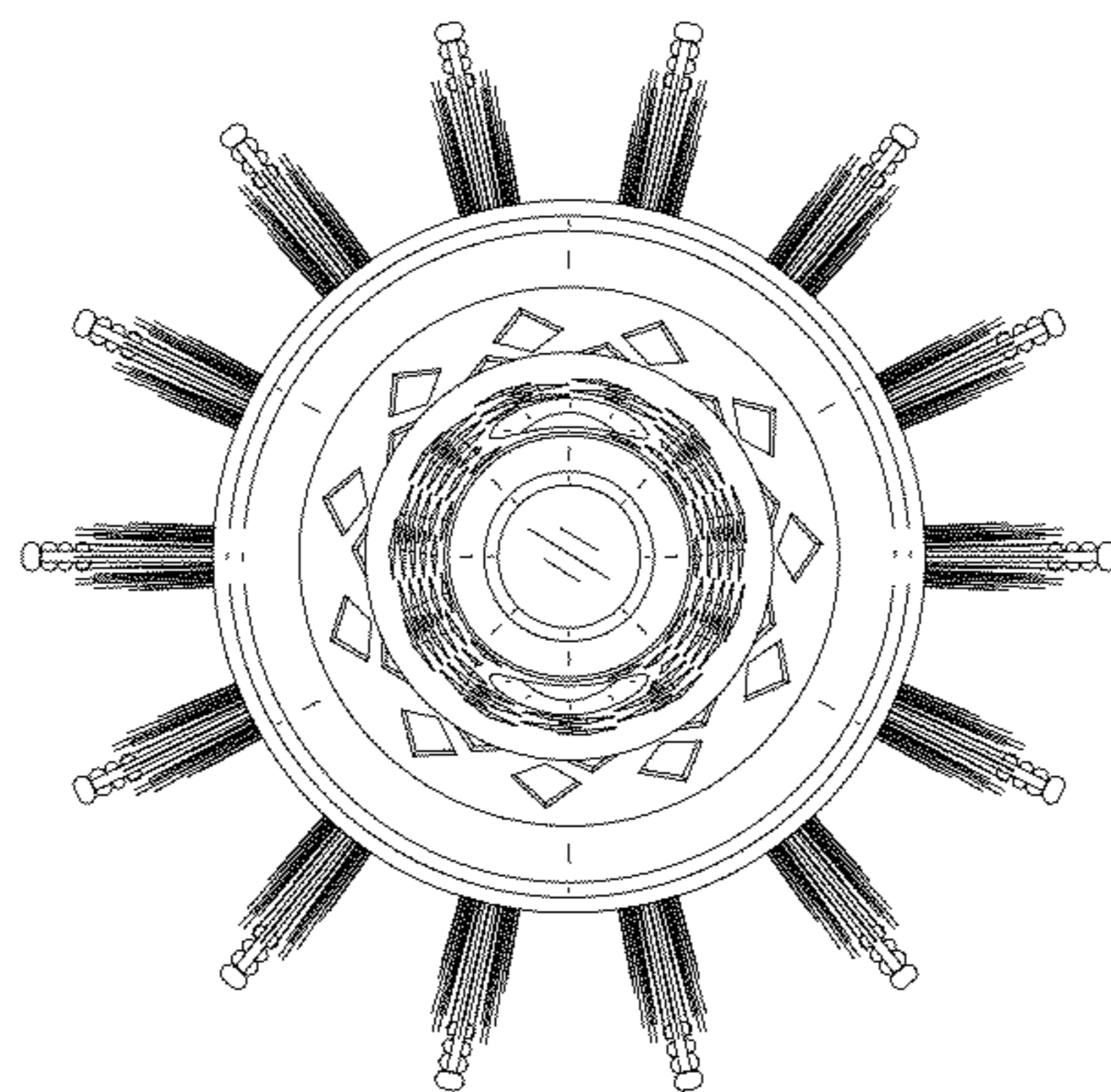


FIG. 7