



US00D710107S

(12) **United States Design Patent**
Sangirardi

(10) **Patent No.:** **US D710,107 S**

(45) **Date of Patent:** **** Aug. 5, 2014**

(54) **LUGGAGE WITH TELESCOPING HANDLE AND MOUNTING**

(71) Applicant: **William F. Sangirardi**, Medford, NY (US)

(72) Inventor: **William F. Sangirardi**, Medford, NY (US)

(**) Term: **14 Years**

(21) Appl. No.: **29/450,831**

(22) Filed: **Mar. 24, 2013**

(51) **LOC (10) Cl.** **03-01**

(52) **U.S. Cl.**
USPC **D3/318**

(58) **Field of Classification Search**
CPC A45C 5/14; A45C 11/38; A45C 13/08;
A45C 13/26; A45C 13/30; A45C 3/279
USPC D3/318, 272-273; 190/18 A, 37, 39
See application file for complete search history.

(56) **References Cited**

U.S. PATENT DOCUMENTS

5,865,281	A *	2/1999	Wang	190/115
6,176,357	B1 *	1/2001	Kuo	190/18 A
6,401,888	B1 *	6/2002	Kuo	190/18 A
6,575,274	B1 *	6/2003	Huang	190/115
7,066,311	B2 *	6/2006	O'Shea	190/18 A
7,237,660	B2 *	7/2007	Wu	190/18 A
D666,832	S *	9/2012	Kinskey et al.	D3/318
D674,192	S *	1/2013	Li	D3/318

* cited by examiner

Primary Examiner — Holly Baynham

(74) *Attorney, Agent, or Firm* — Law Offices of Michael L. Wise, LLC

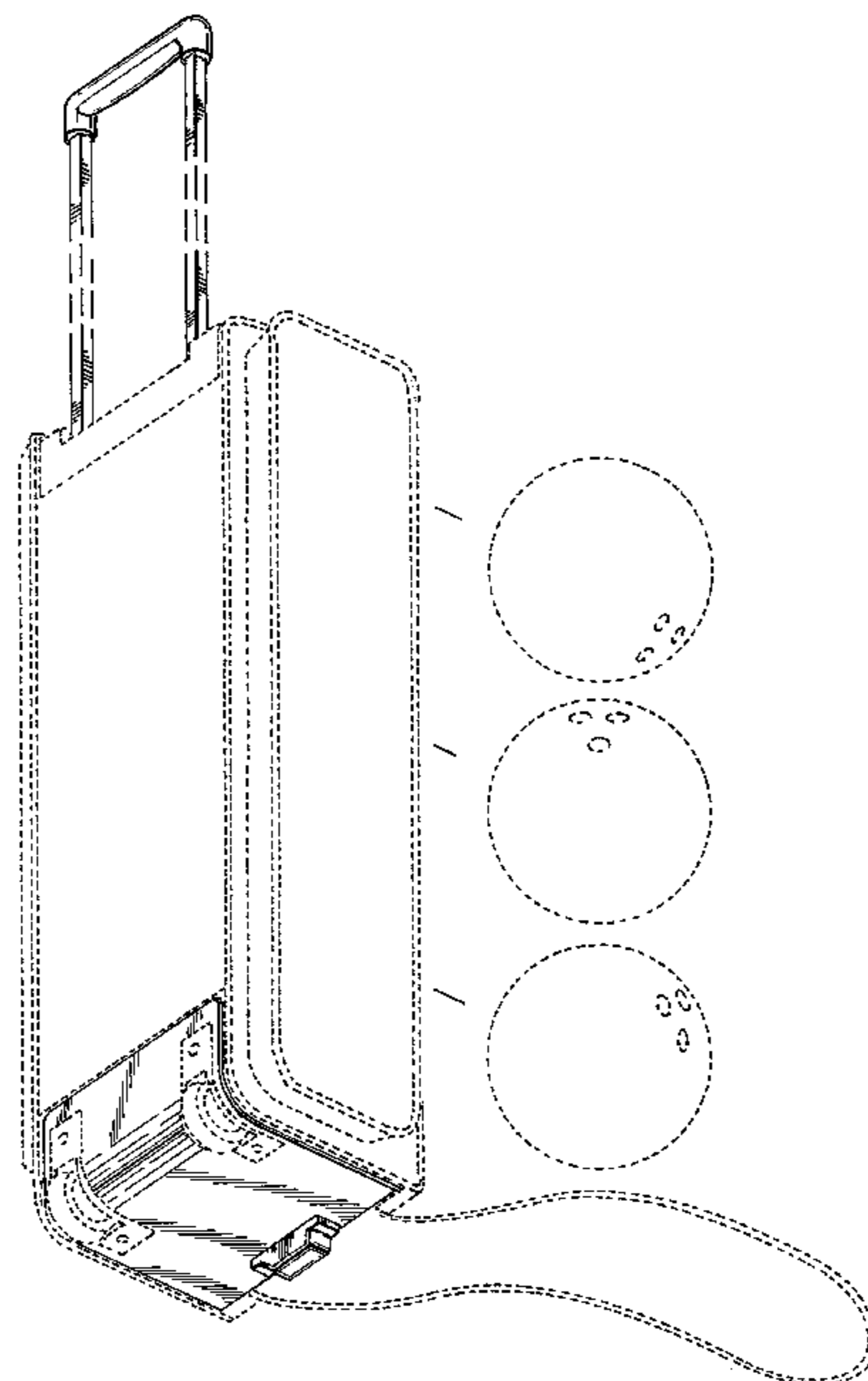
(57) **CLAIM**

The ornamental design for a luggage with telescoping handle and mounting, as shown.

DESCRIPTION

FIG. 1 is a side perspective view of a luggage with telescoping handle and mounting showing the new design;
 FIG. 2 is a rear elevational view thereof;
 FIG. 3 is a front elevational view thereof;
 FIG. 4 is a left elevational view thereof;
 FIG. 5 is a right elevational view thereof;
 FIG. 6 is a plan view thereof;
 FIG. 7 is a bottom plan view thereof;
 FIG. 8 shows a side perspective view of an alternative embodiment of the luggage with telescoping handle and mounting shown in FIG. 1;
 FIG. 9 is a rear elevational view thereof;
 FIG. 10 is a front elevational view thereof;
 FIG. 11 is a left elevational view thereof;
 FIG. 12 is a right elevational view thereof;
 FIG. 13 is a plan view thereof;
 FIG. 14 is a bottom plan view thereof;
 FIG. 15 shows a side perspective view of another alternative embodiment of the luggage with telescoping handle and mounting shown in FIG. 1;
 FIG. 16 is a rear elevational view thereof;
 FIG. 17 is a front elevational view thereof;
 FIG. 18 is a left elevational view thereof;
 FIG. 19 is a right elevational view thereof;
 FIG. 20 is a plan view thereof; and,
 FIG. 21 is a bottom plan view thereof.
 The broken lines showing parts of the luggage and bowling balls are included for the purpose of illustrating environmental structure and forms no part of the claimed design.

1 Claim, 12 Drawing Sheets



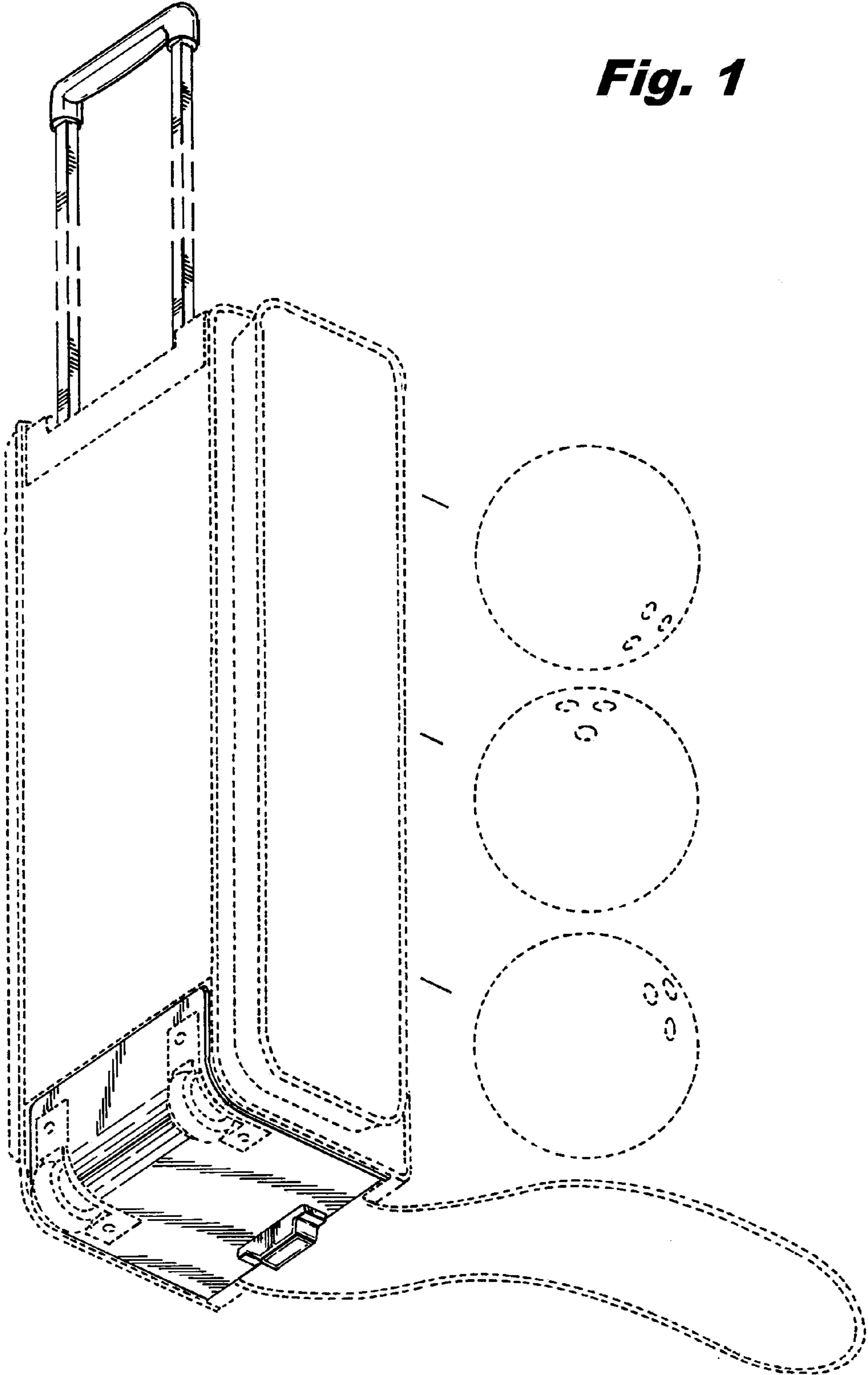


Fig. 1

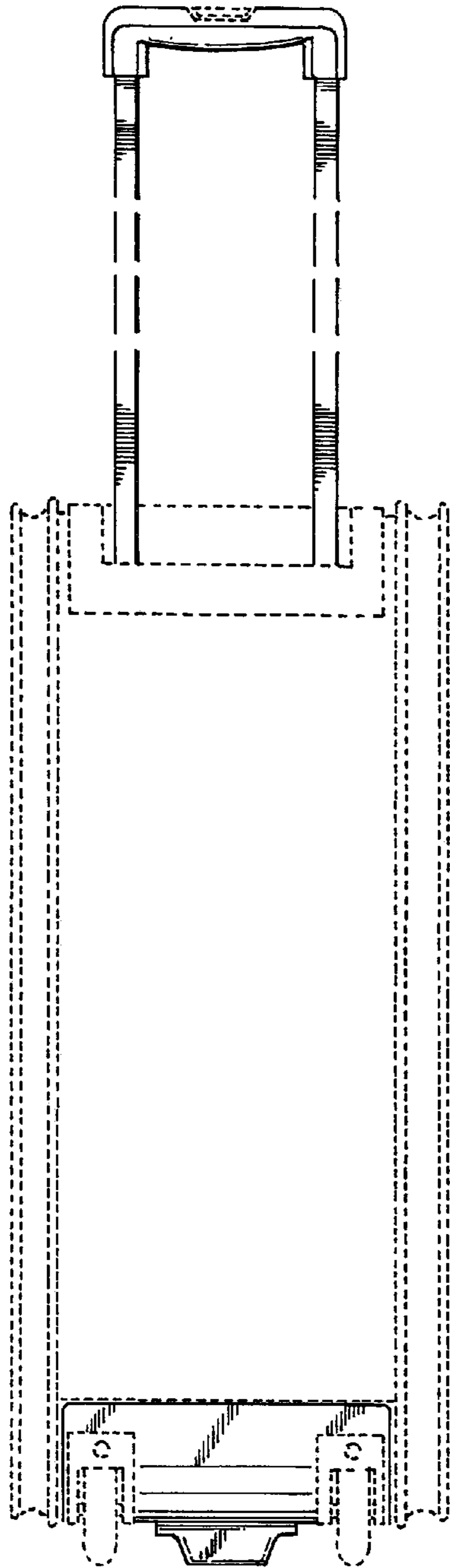


Fig. 2

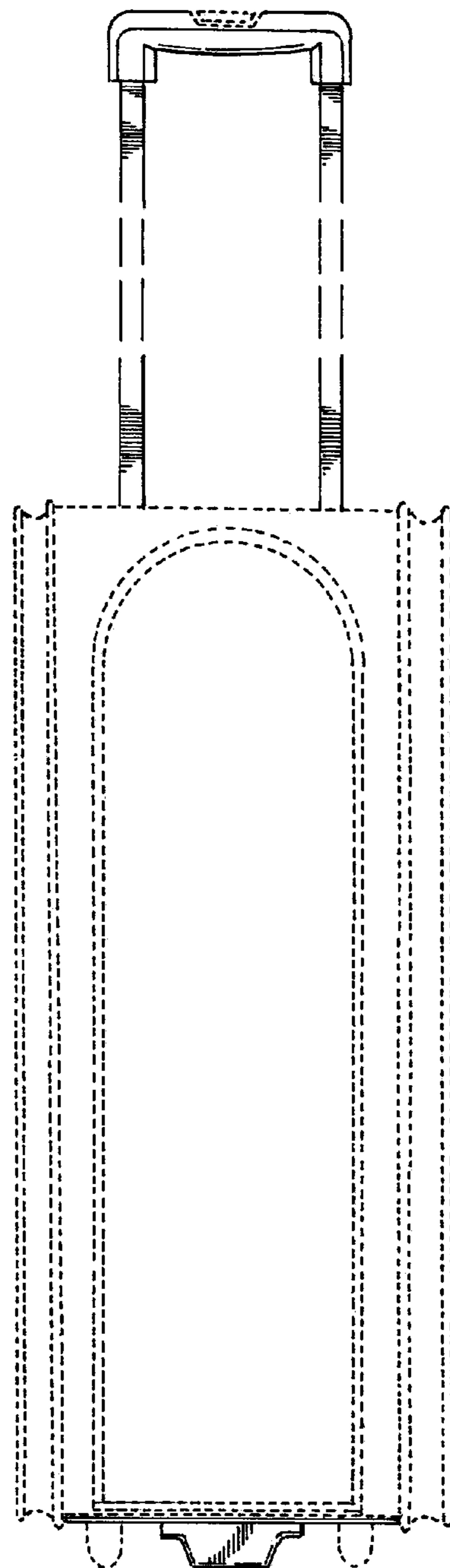


Fig. 3

Fig. 4

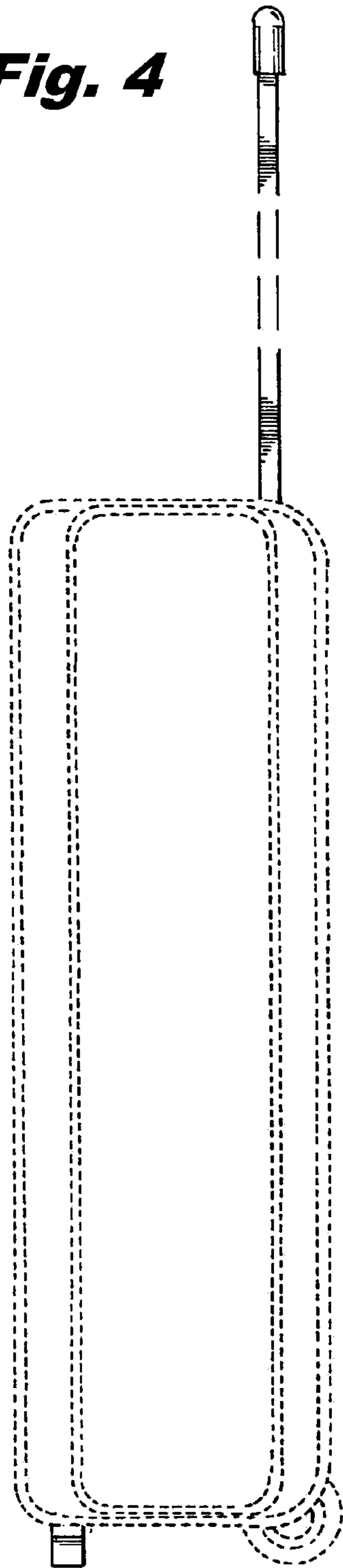
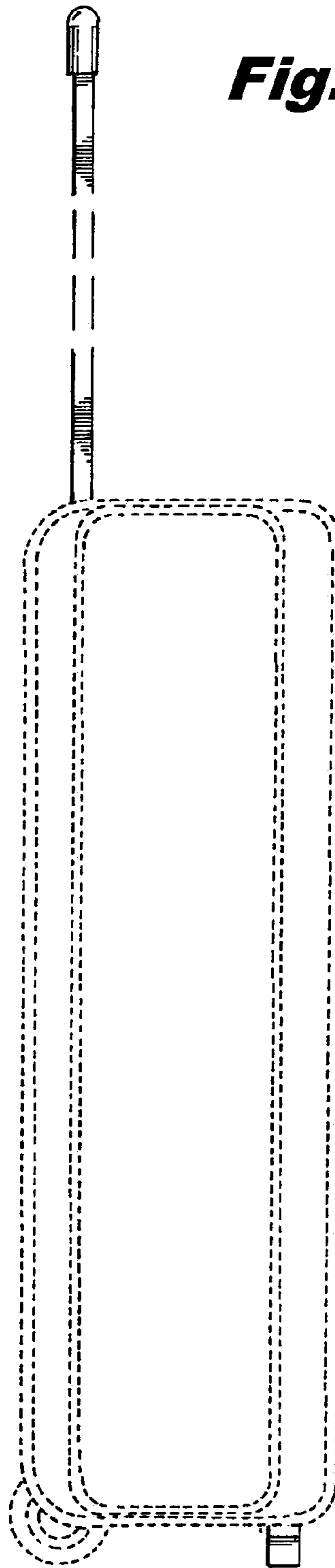


Fig. 5



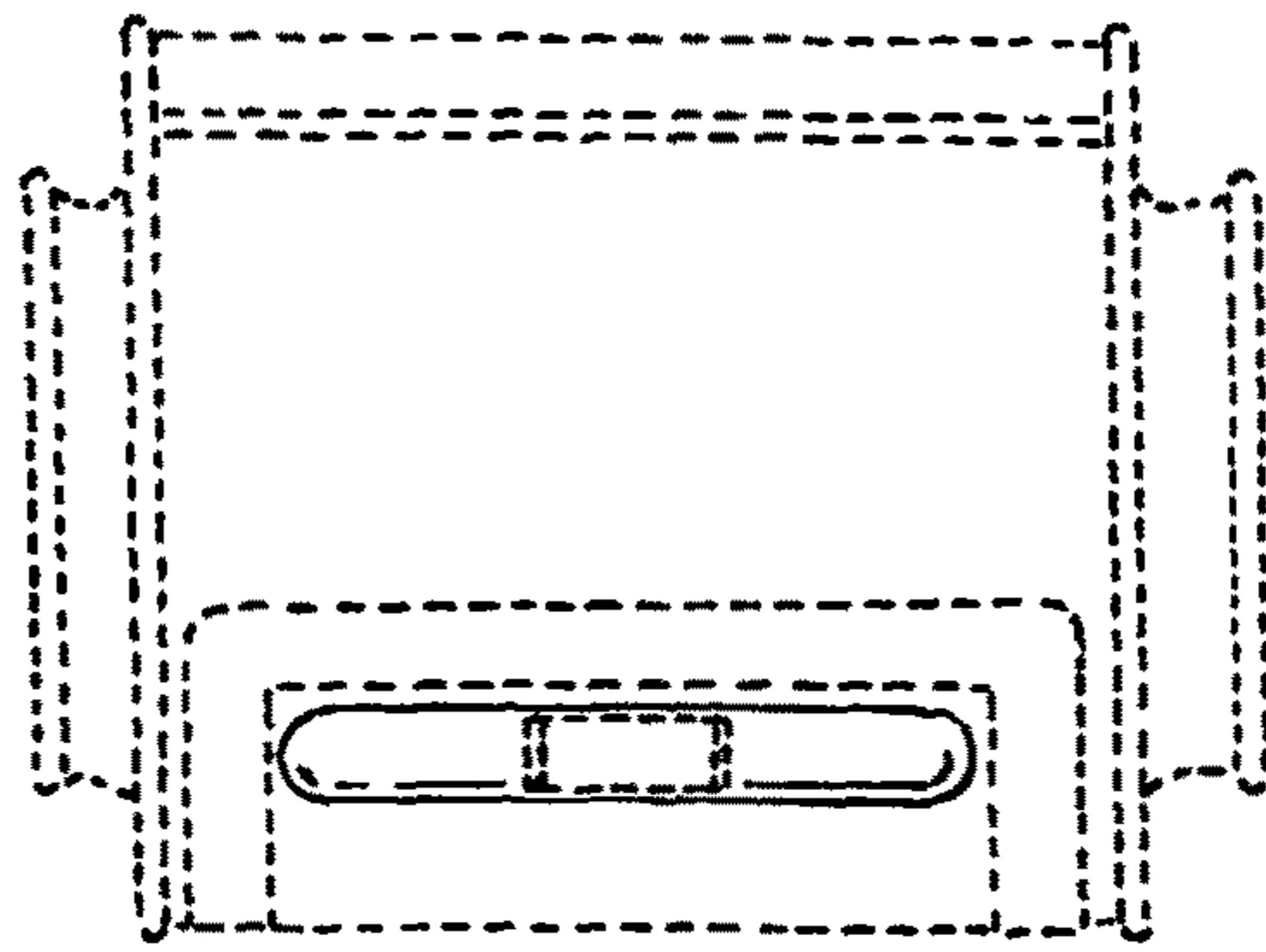


Fig. 6

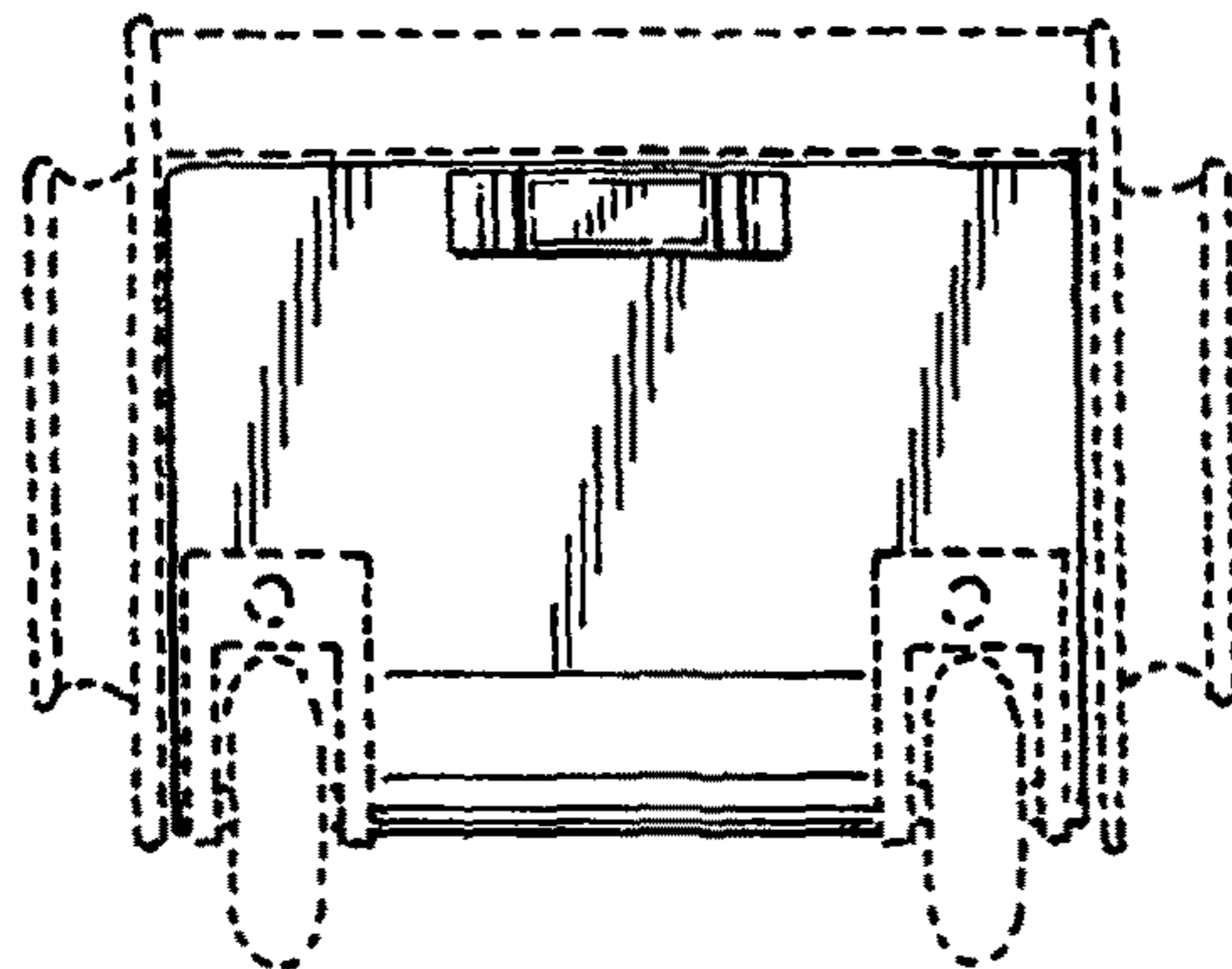
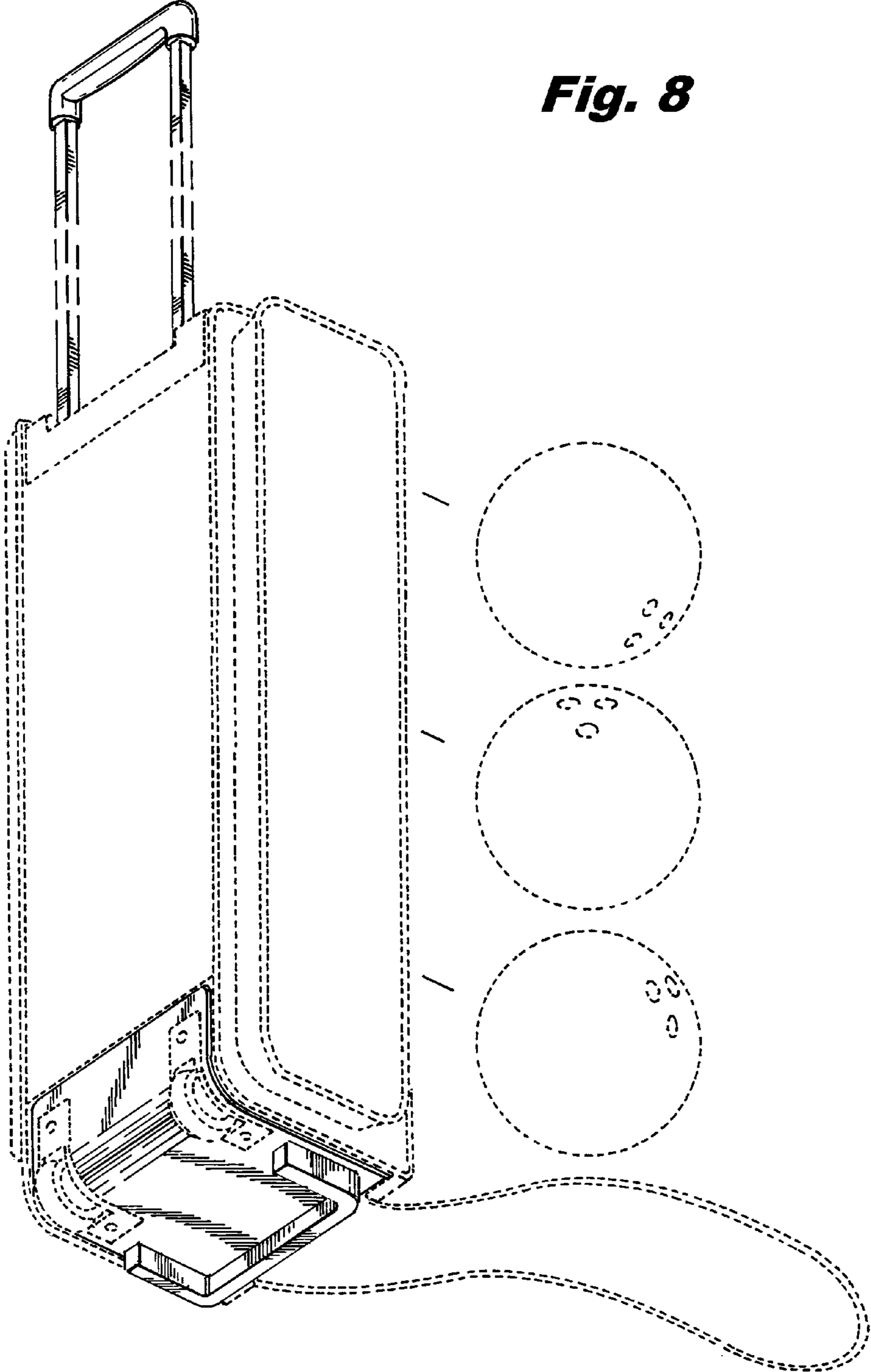


Fig. 7

Fig. 8



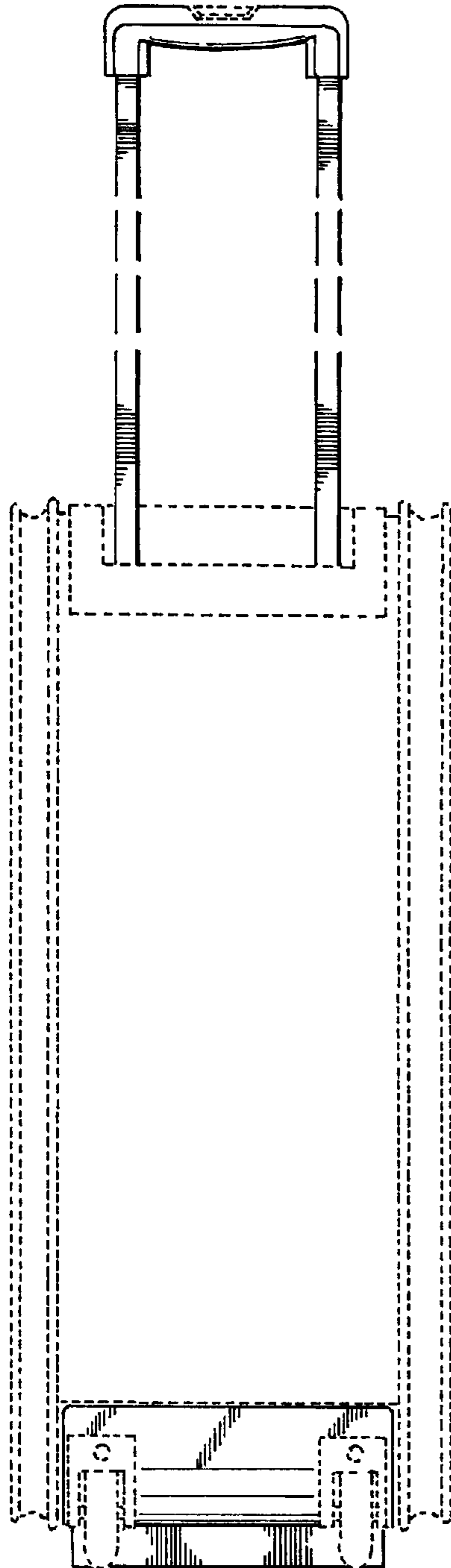


Fig. 9

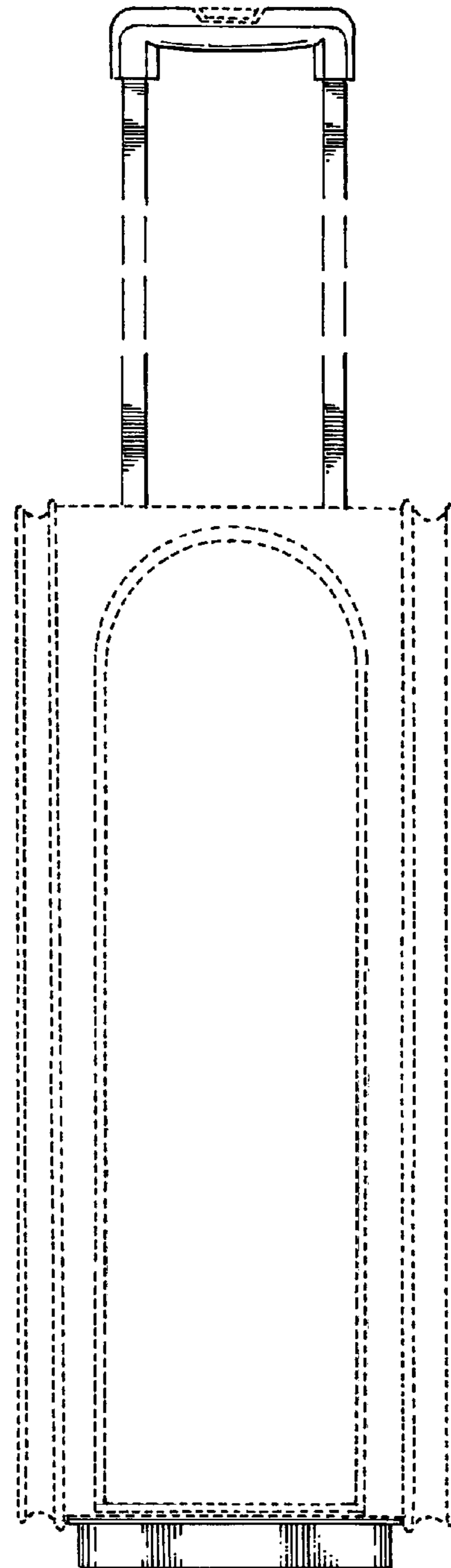
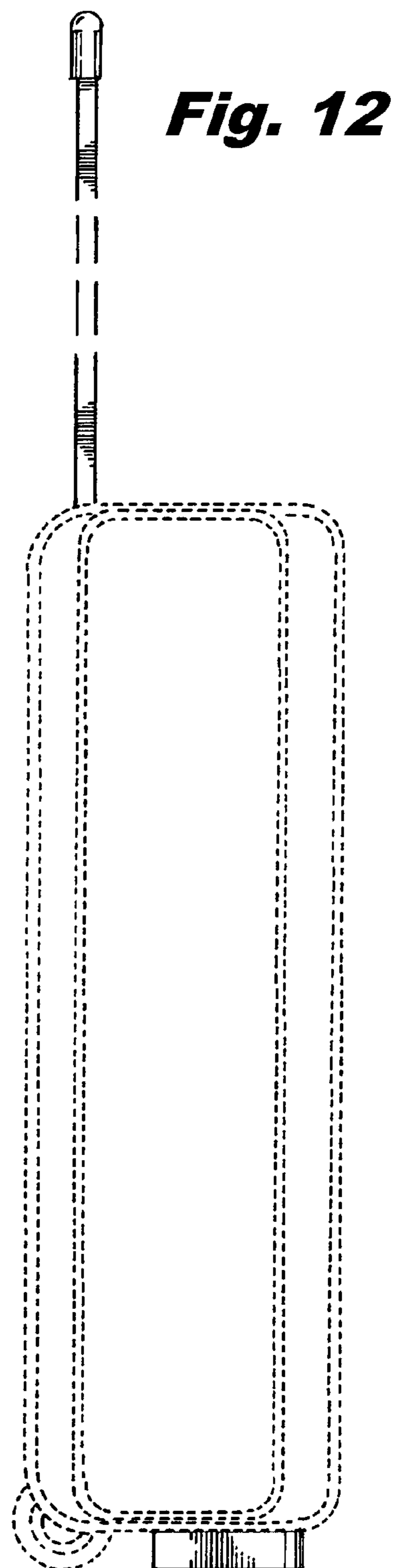
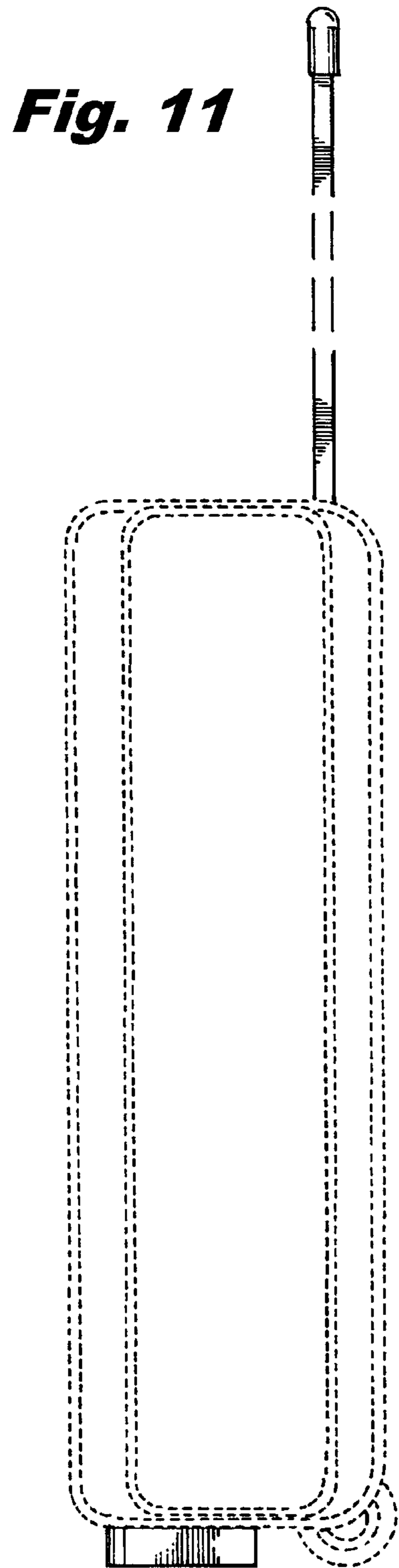


Fig. 10



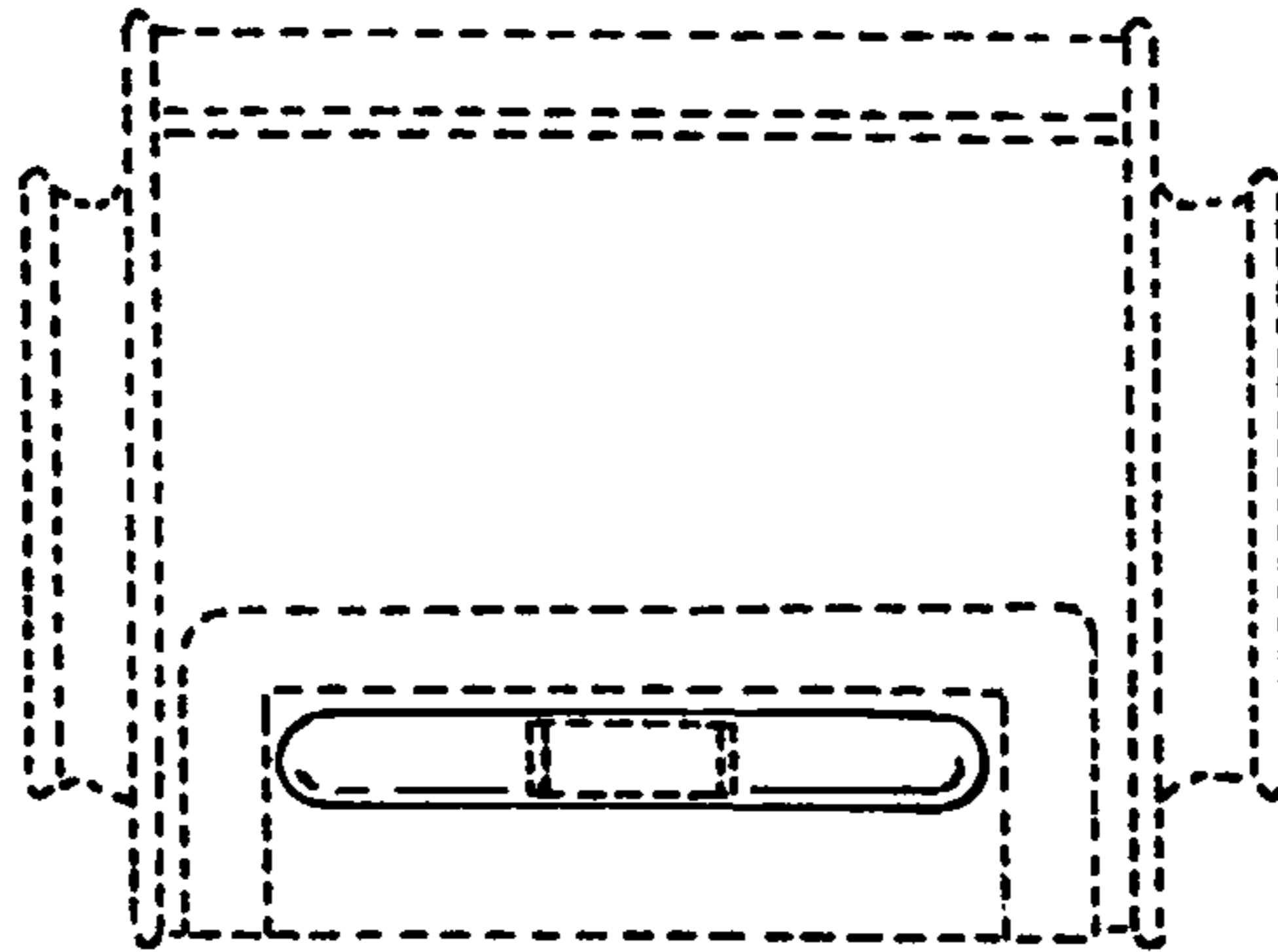


Fig. 13

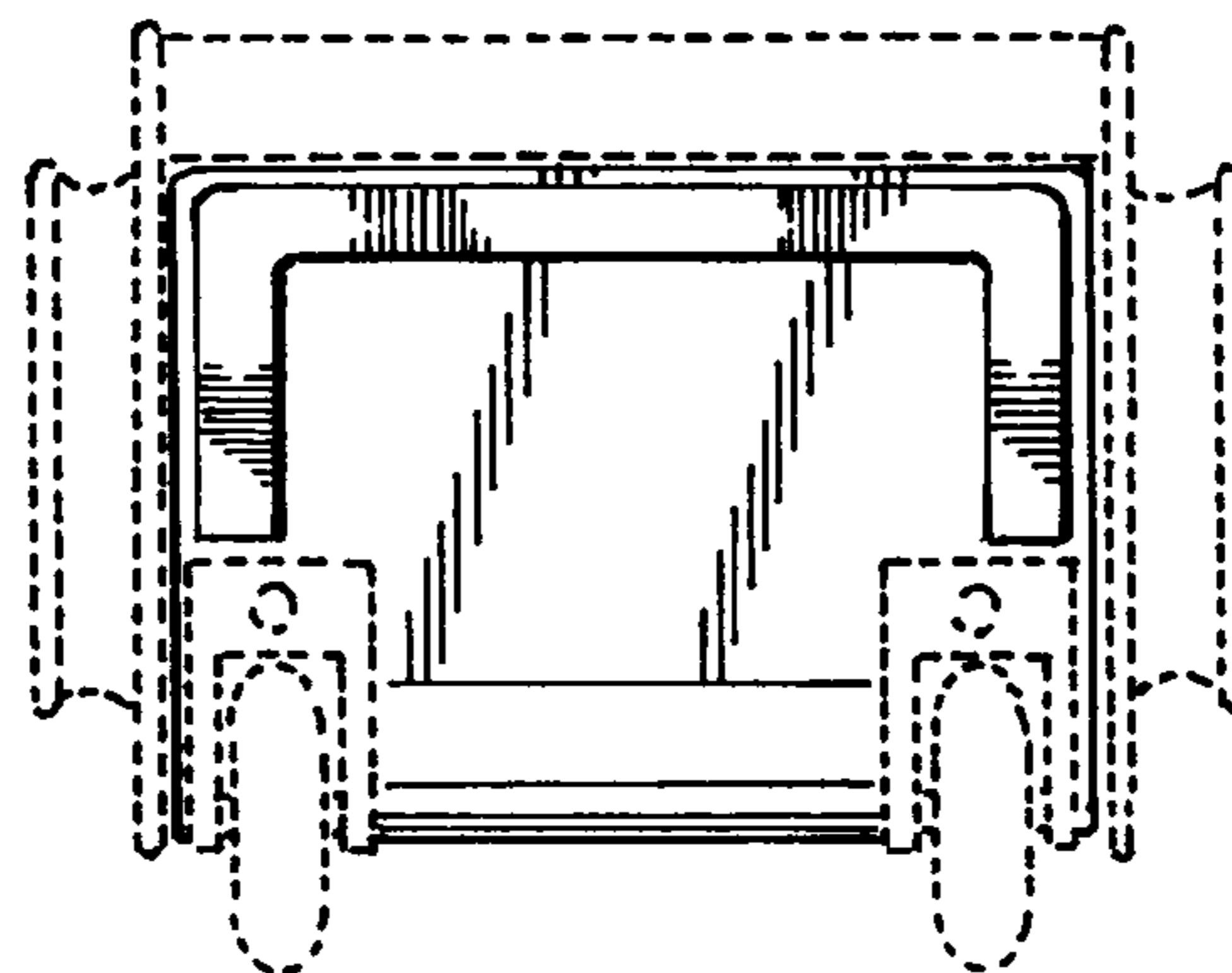
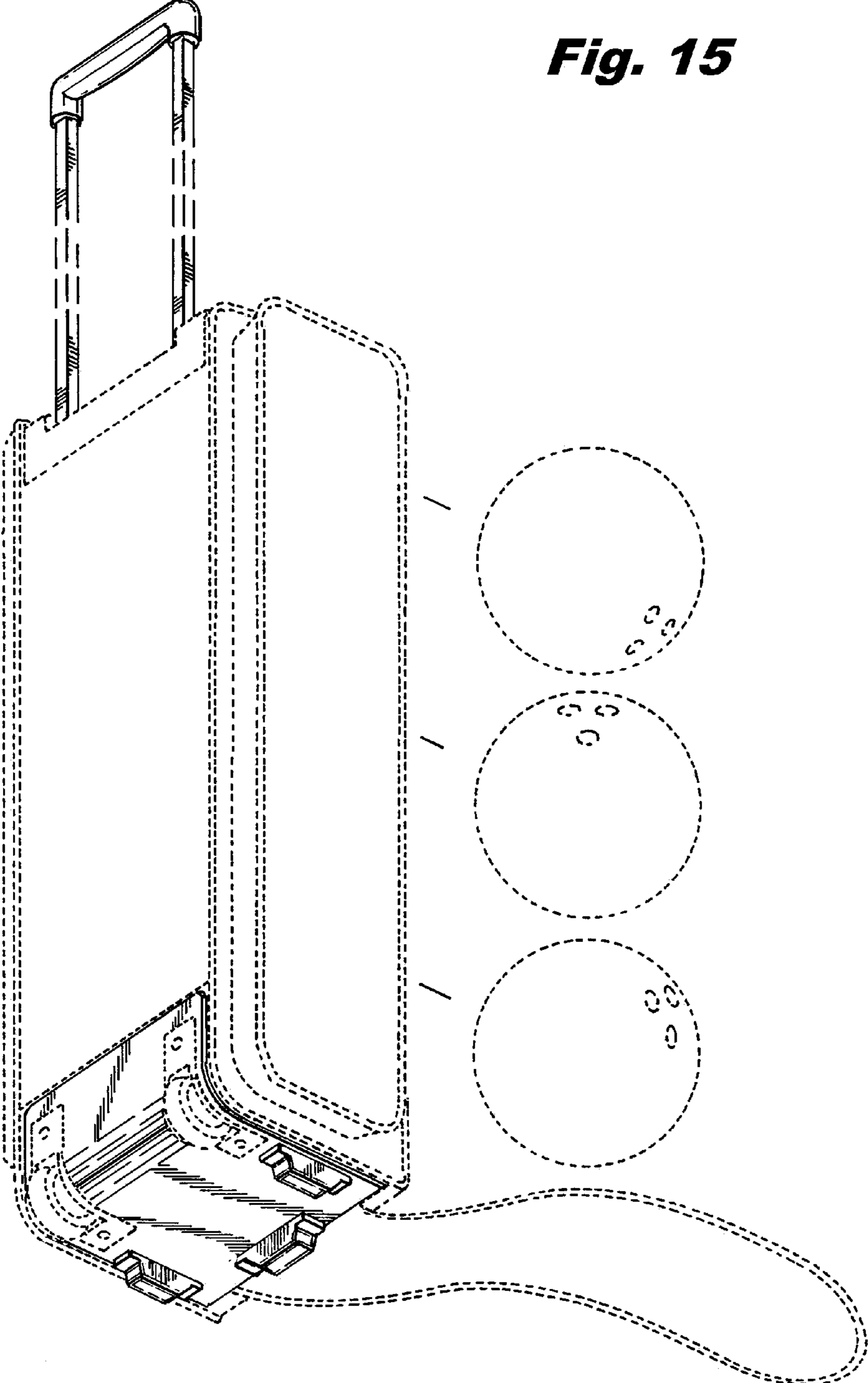


Fig. 14

Fig. 15



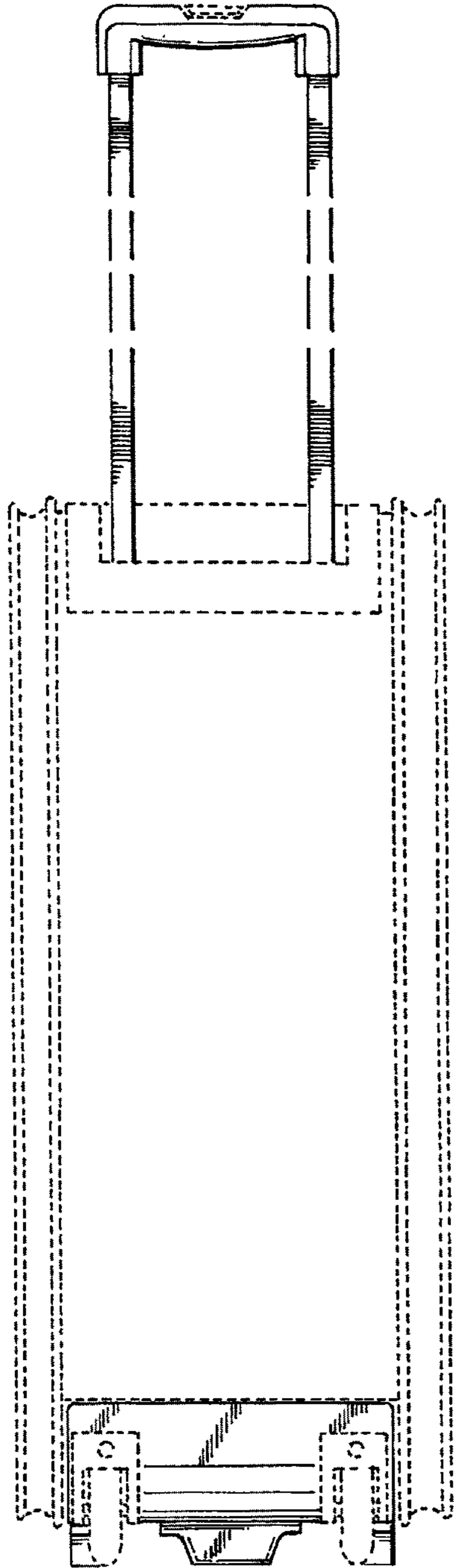


Fig. 16

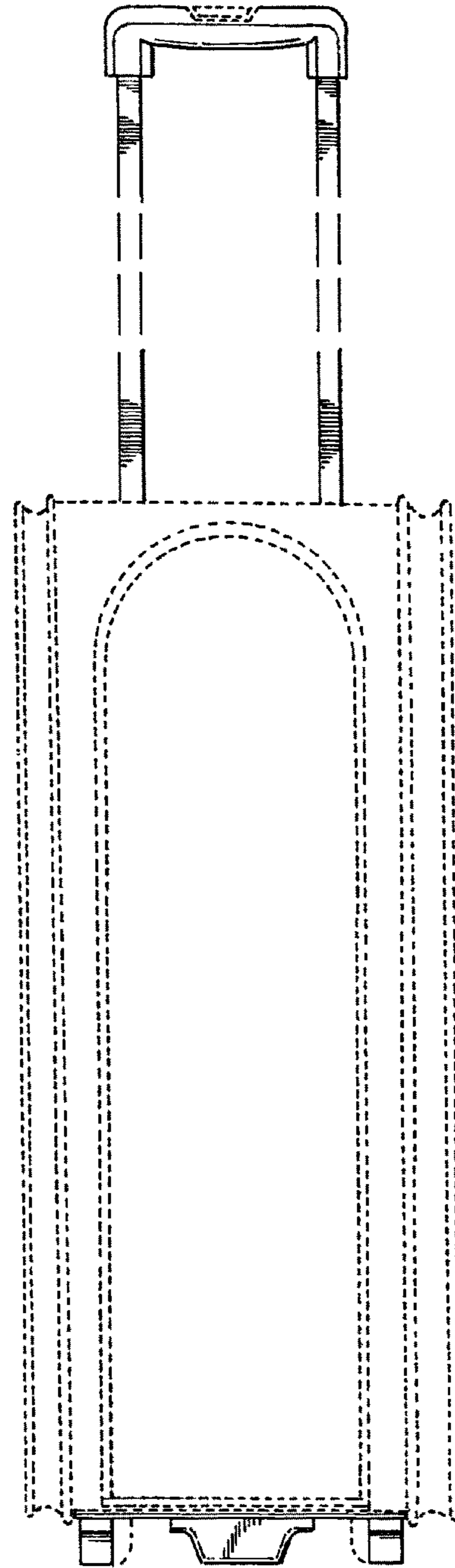


Fig. 17

Fig. 18

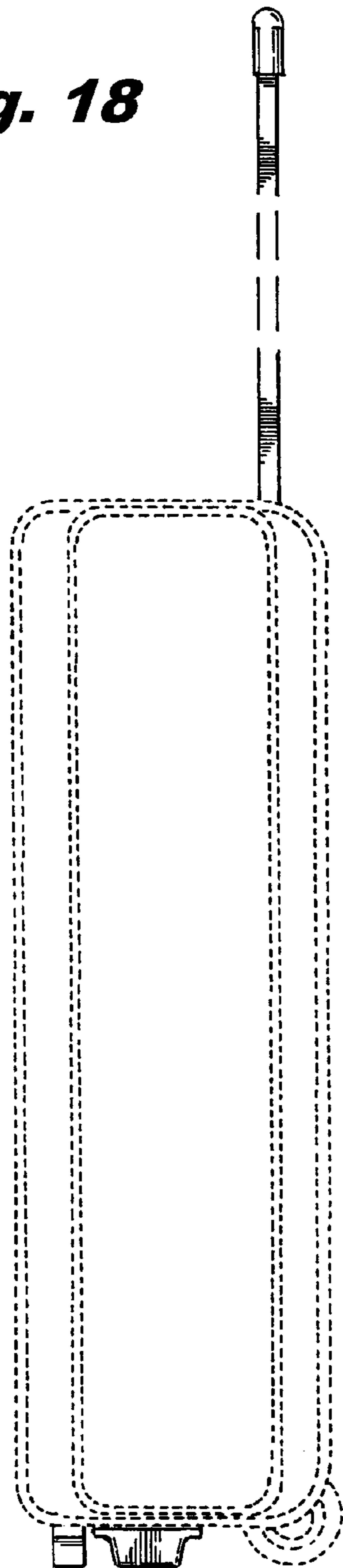
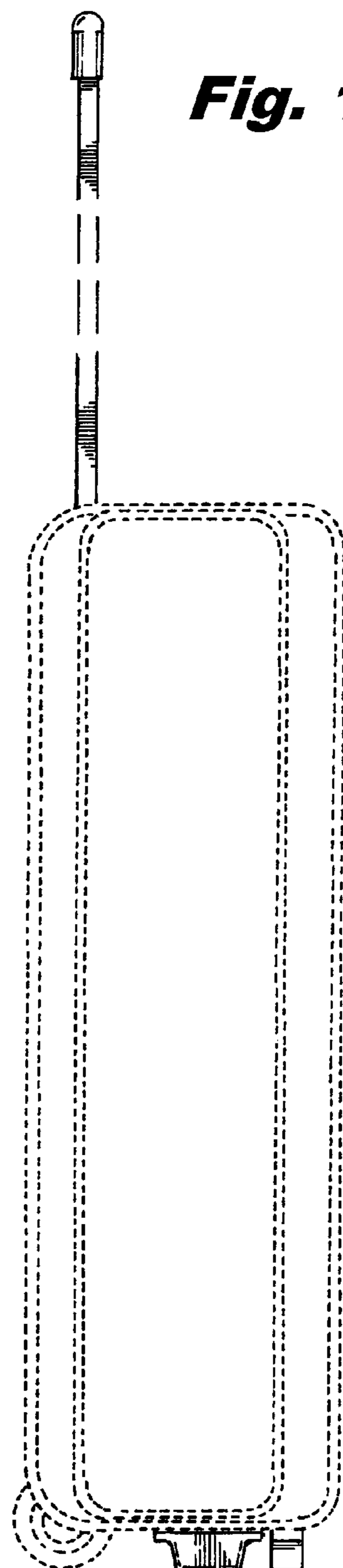


Fig. 19



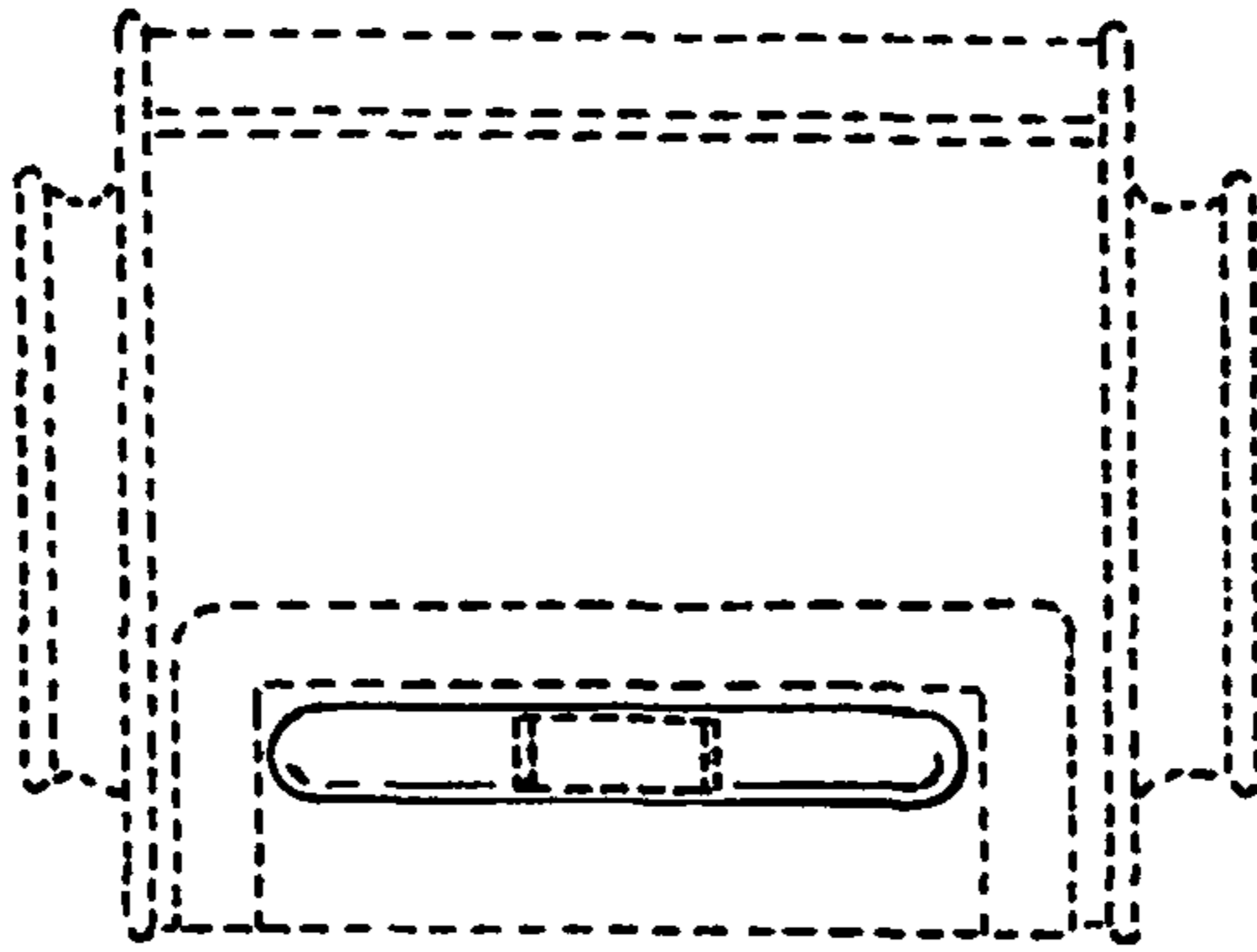


Fig. 20

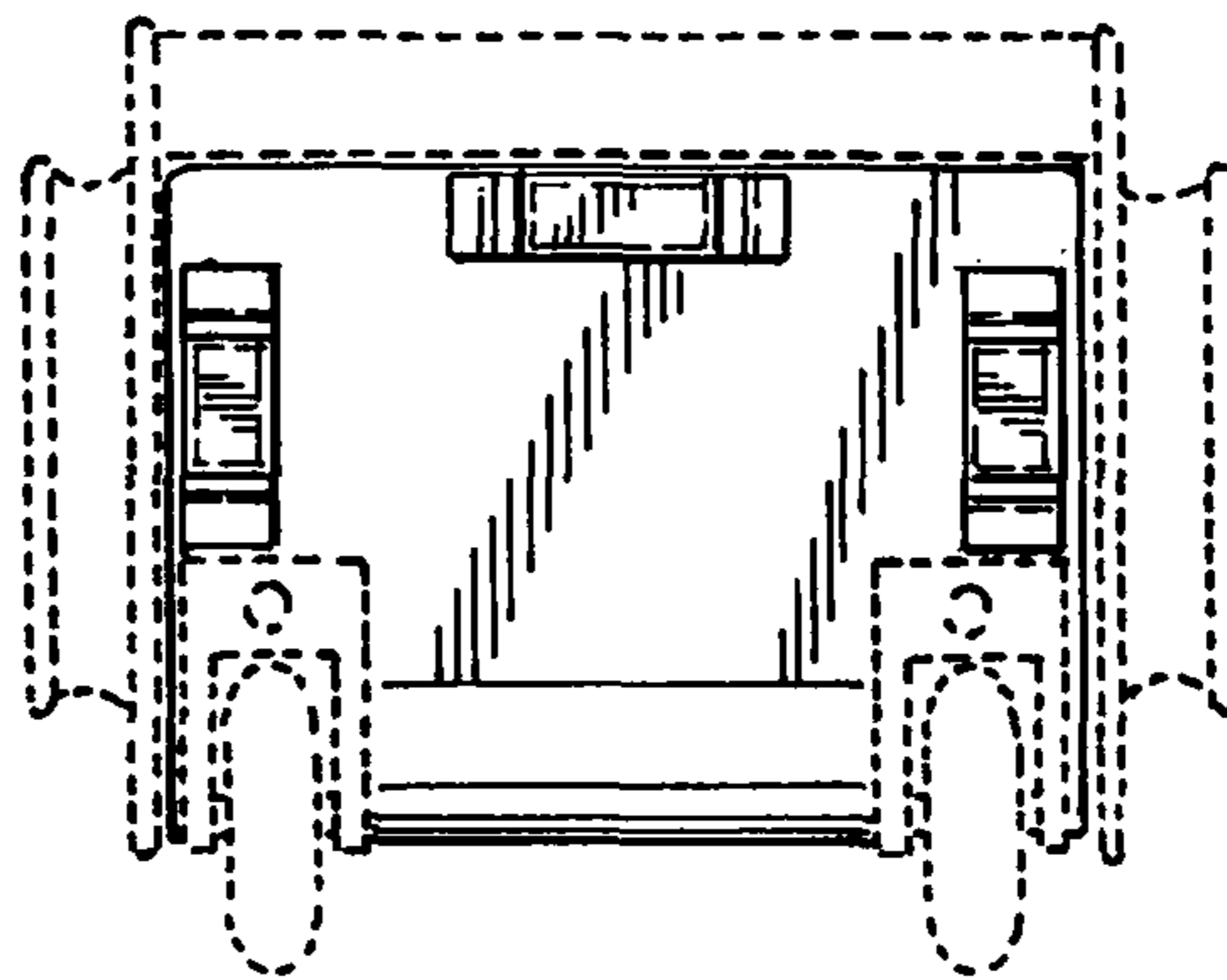


Fig. 21