



US00D710105S

(12) **United States Design Patent**  
**Hondos**

(10) **Patent No.:** **US D710,105 S**

(45) **Date of Patent:** **\*\* Aug. 5, 2014**

(54) **ACCESSORY POUCH**

(71) Applicant: **Steven Gus Hondos**, Advance, NC (US)

(72) Inventor: **Steven Gus Hondos**, Advance, NC (US)

(\*\*) Term: **14 Years**

(21) Appl. No.: **29/439,054**

(22) Filed: **Dec. 6, 2012**

(51) **LOC (10) Cl.** ..... **03-01**

(52) **U.S. Cl.**  
USPC ..... **D3/303**

(58) **Field of Classification Search**

USPC ..... D2/864; D3/10, 11, 35, 39, 40, 74, 99,  
D3/303; D12/422; 224/42.11, 260, 27,  
224/402, 429, 430, 542, 543, 609, 646, 905,  
224/925; 383/2, 4, 7, 8, 11, 15, 24, 25, 38,  
383/39, 75, 76, 121.1, 907

See application file for complete search history.

(56) **References Cited**

**U.S. PATENT DOCUMENTS**

607,130	A *	7/1898	Rapp	.....	383/39
1,518,672	A *	12/1924	O'Connell	.....	296/37.13
D140,519	S *	3/1945	Pascal	.....	D6/320
2,507,842	A *	5/1950	Waddill	.....	224/560
D252,596	S *	8/1979	Adler et al.	.....	D3/319
D313,695	S *	1/1991	Mawhinney et al.	.....	D12/422
D354,728	S *	1/1995	Shink	.....	D12/422
D383,112	S *	9/1997	Patterson	.....	D12/422
D420,510	S *	2/2000	Rotan	.....	D3/303
D552,533	S *	10/2007	Cord et al.	.....	D12/422
8,291,814	B2 *	10/2012	Weigelt	.....	99/444
2009/0014267	A1 *	1/2009	Day	.....	190/110

2013/0248310 A1\* 9/2013 Taylor-Phillips ..... 190/111

\* cited by examiner

*Primary Examiner* — Deanna L Pratt

*Assistant Examiner* — Ieisha Price

(57) **CLAIM**

The ornamental design for an accessory pouch, as shown and described.

**DESCRIPTION**

FIG. 1 shows a front perspective view of the first embodiment of the present invention.

FIG. 2 shows a front perspective view of the embodiment of FIG. 1.

FIG. 3 shows a back perspective view of the embodiment of FIG. 1.

FIG. 4 shows a front view of the embodiment of FIG. 1.

FIG. 5 shows a back view of the embodiment of FIG. 1.

FIG. 6 shows a top view of the embodiment of FIG. 1.

FIG. 7 shows a bottom view of the embodiment of FIG. 1.

FIG. 8 shows a front perspective view of the second embodiment of the present invention.

FIG. 9 shows a front perspective view of the embodiment of FIG. 8.

FIG. 10 shows a back perspective view of the embodiment of FIG. 8.

FIG. 11 shows a front view of the embodiment of FIG. 8.

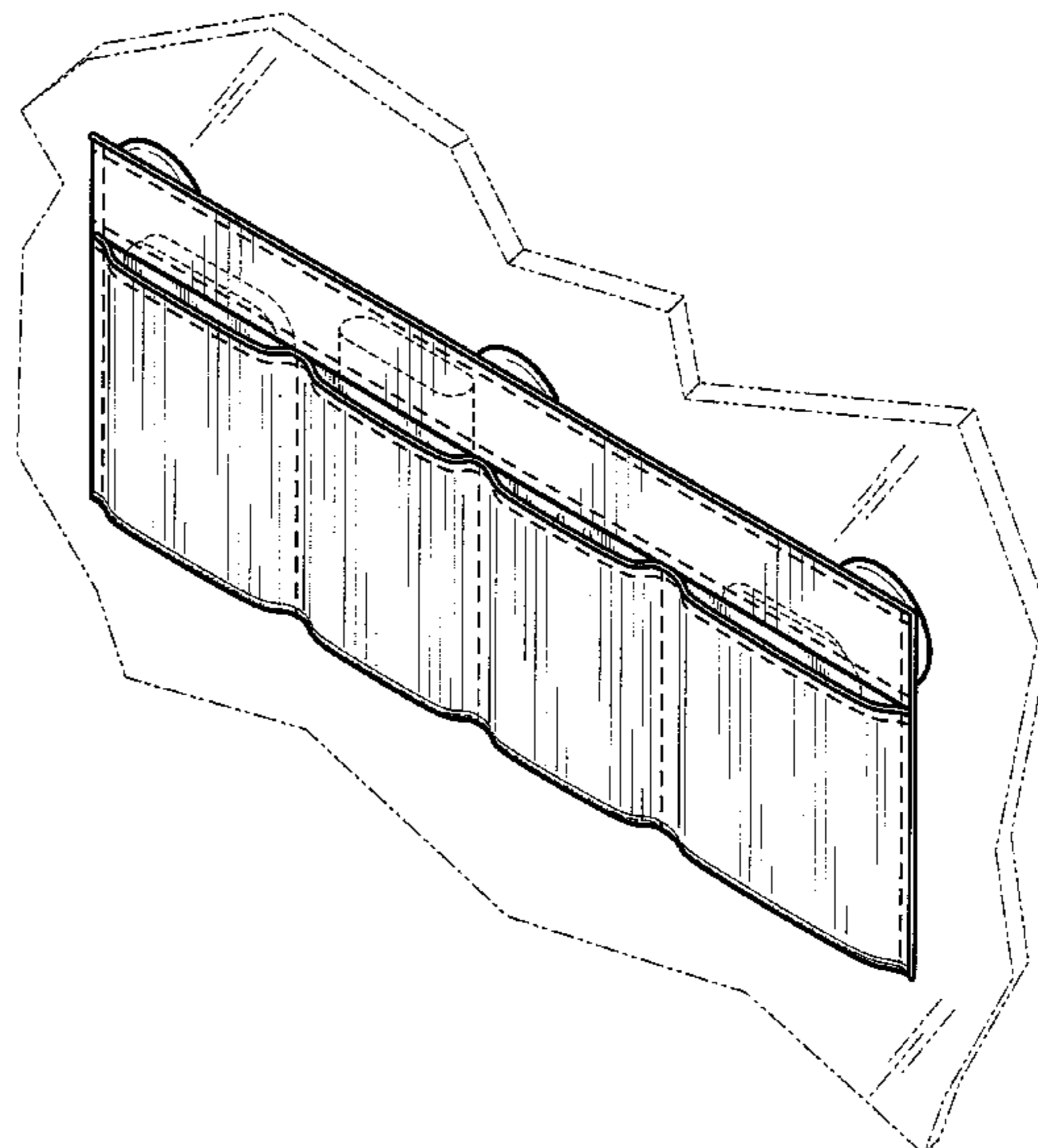
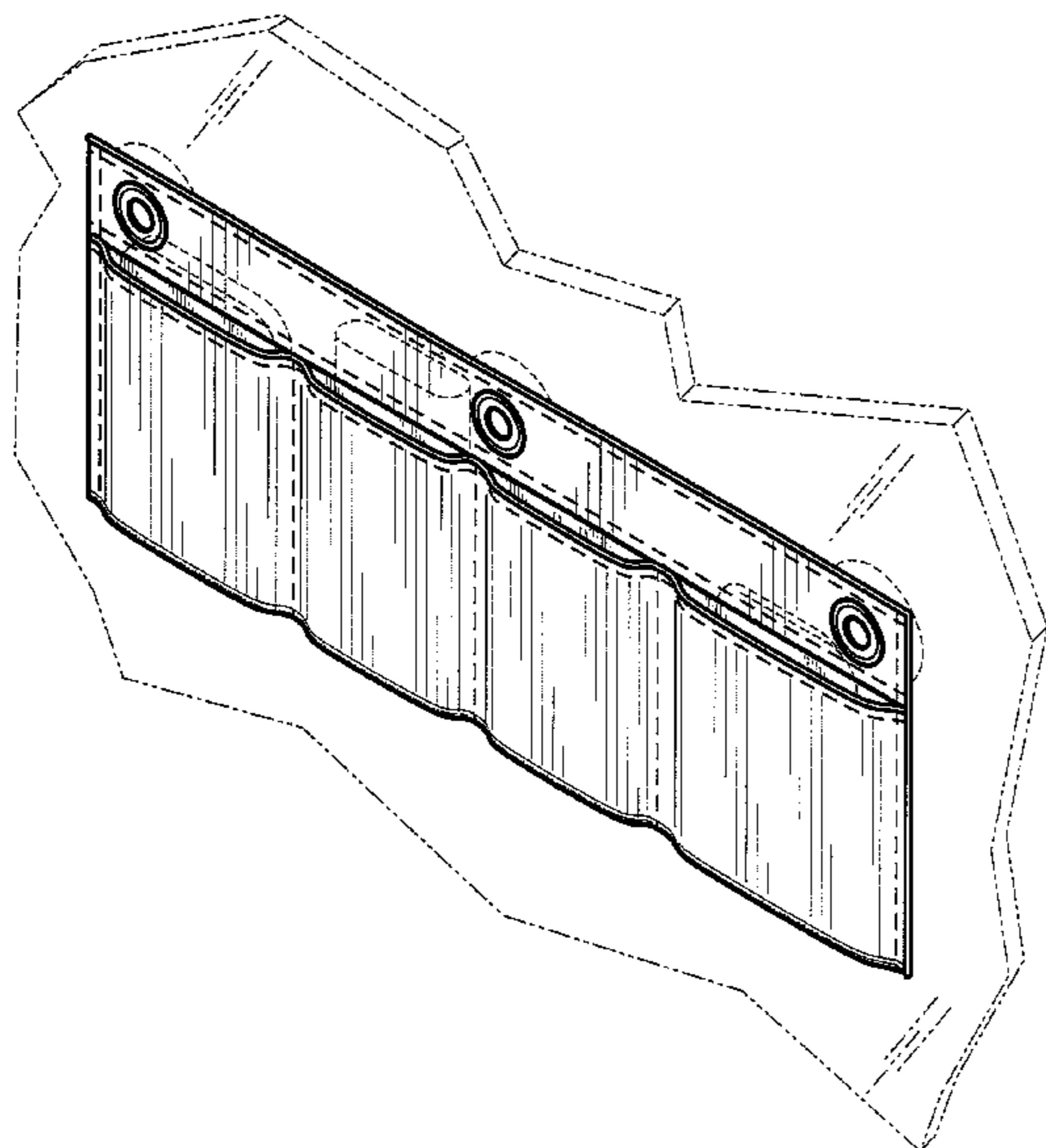
FIG. 12 shows a top view of the embodiment of FIG. 8.

FIG. 13 shows a back view of the embodiment of FIG. 8; and,

FIG. 14 shows a bottom view of the embodiment of FIG. 8.

The broken lines around the perimeter of the sections of the accessory pouch in all views illustrate claimed stitching. All other broken lines in FIGS. 1 and 8 illustrate the environment of the claimed design and form no part thereof.

**1 Claim, 10 Drawing Sheets**



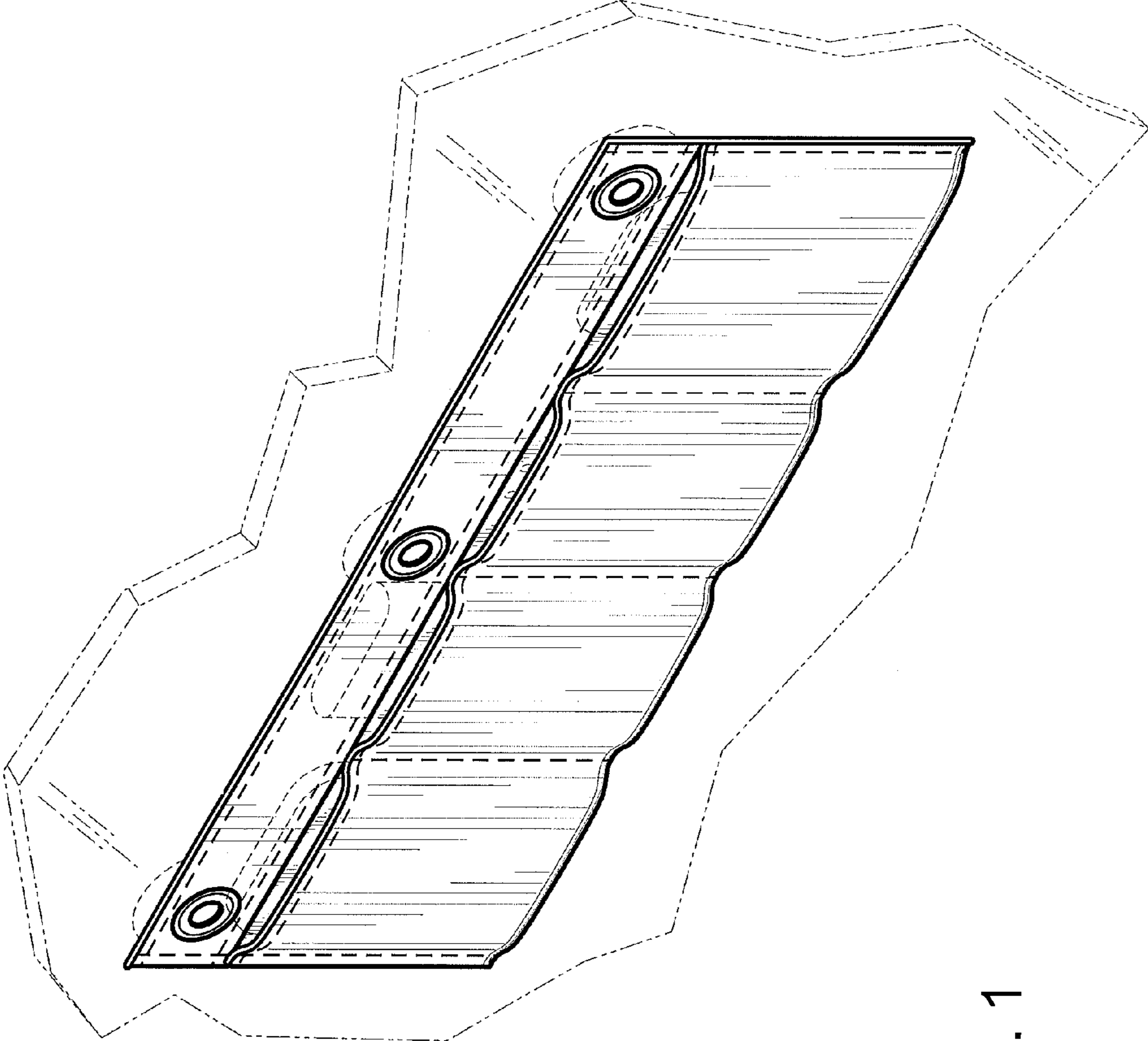


Fig. 1

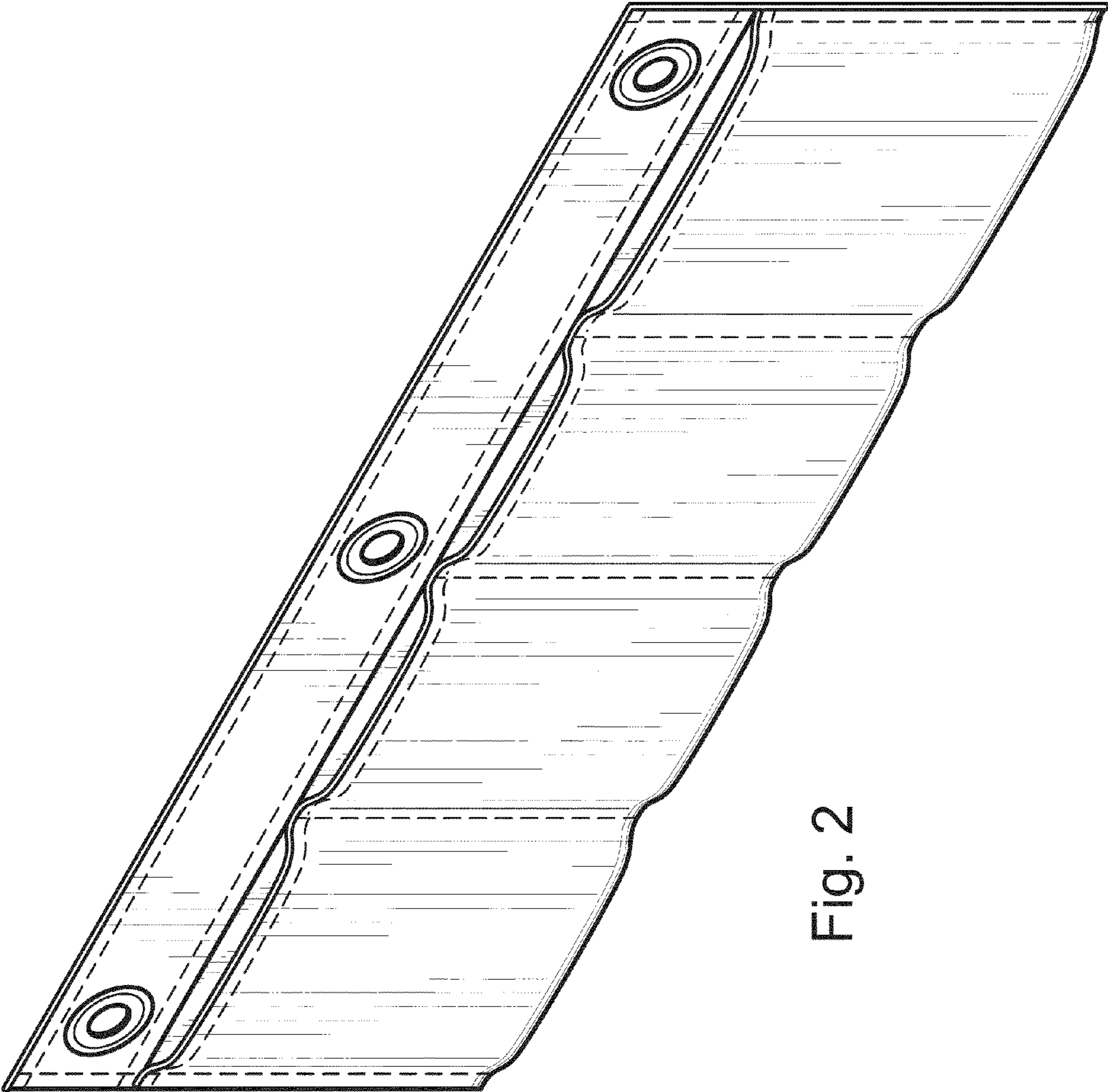


Fig. 2

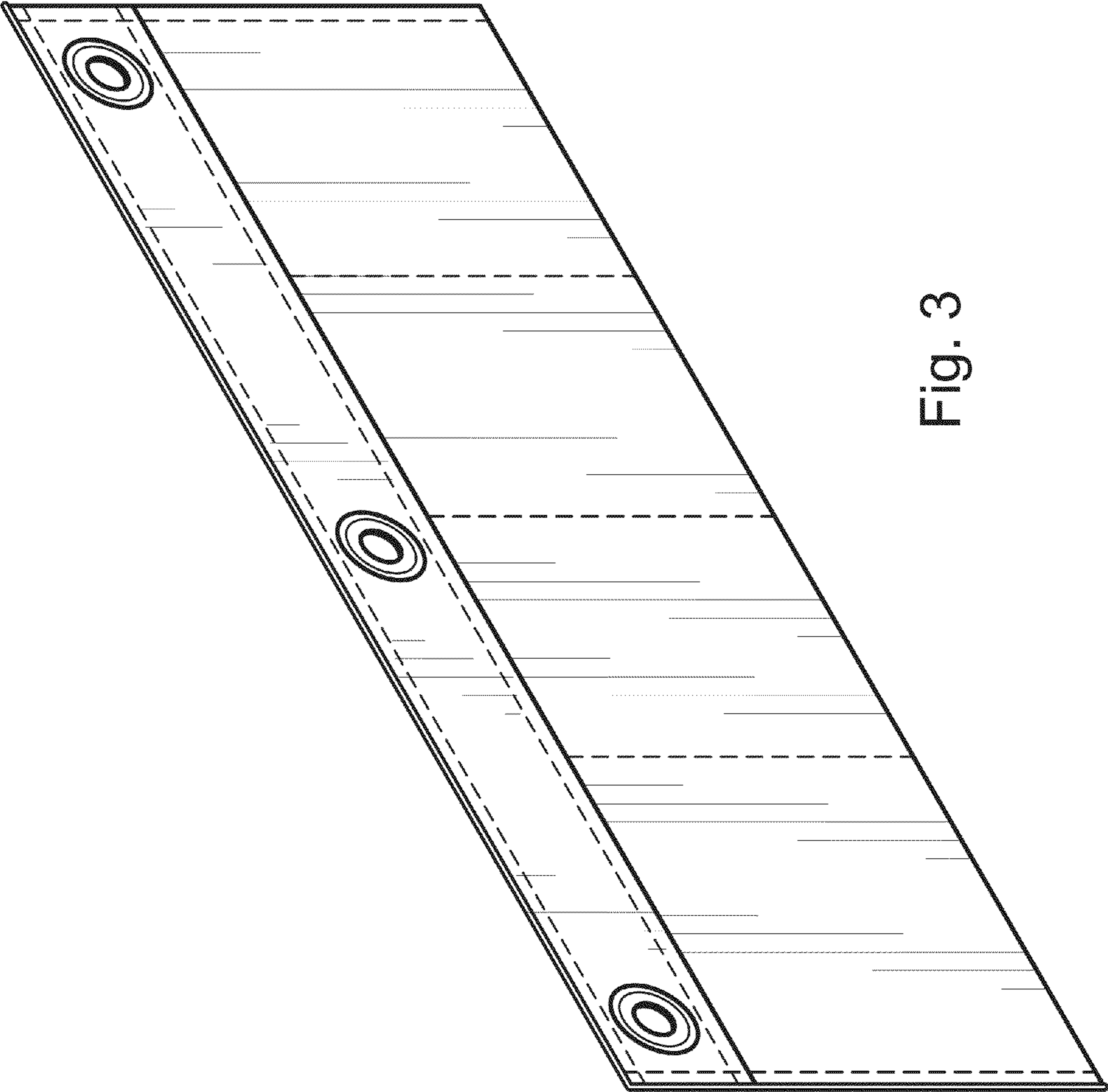


Fig. 3



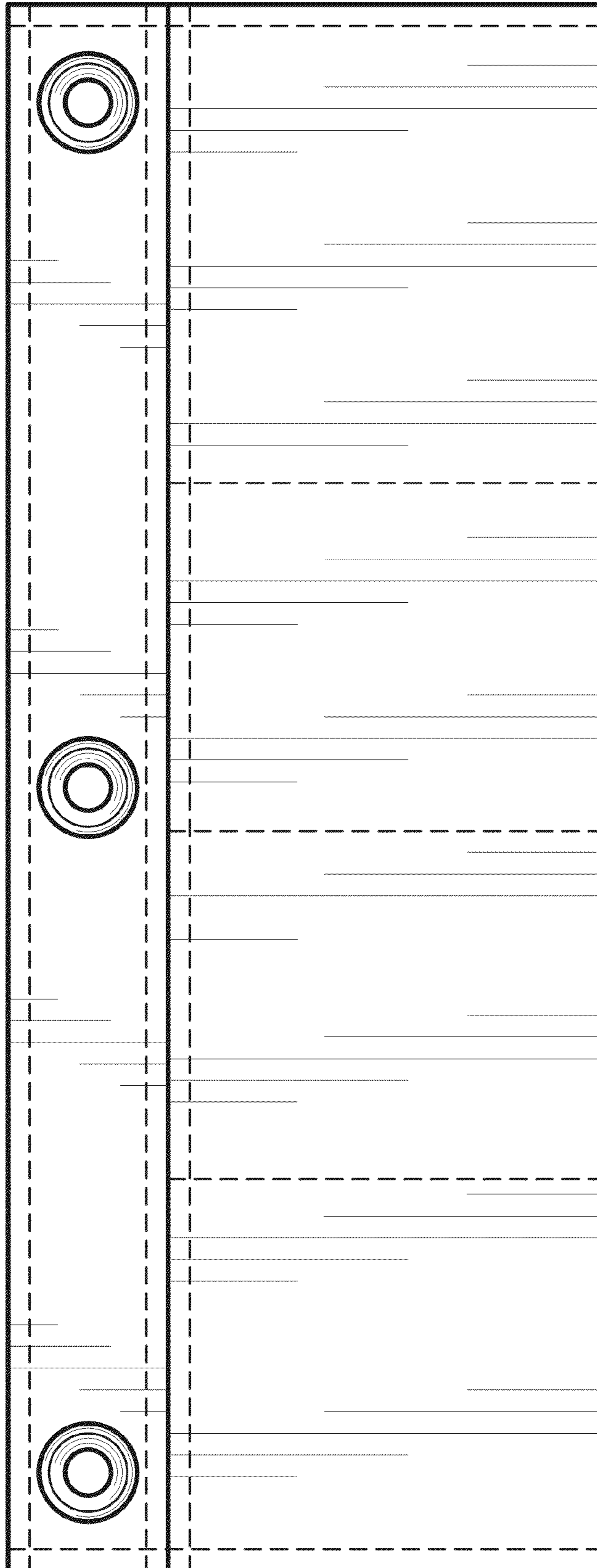


Fig. 4



Fig. 6

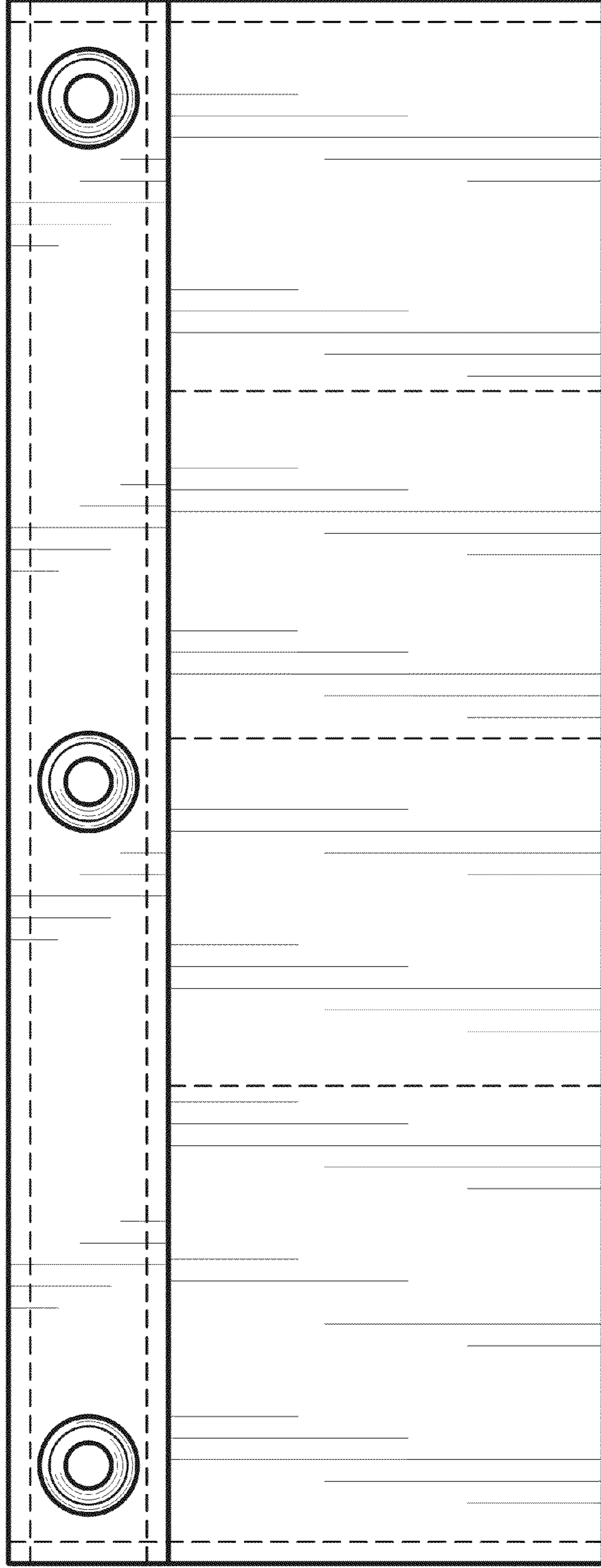


Fig. 5

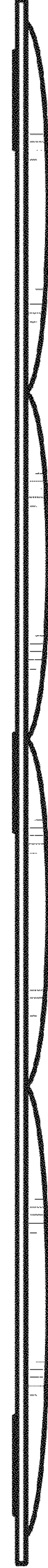


Fig. 7

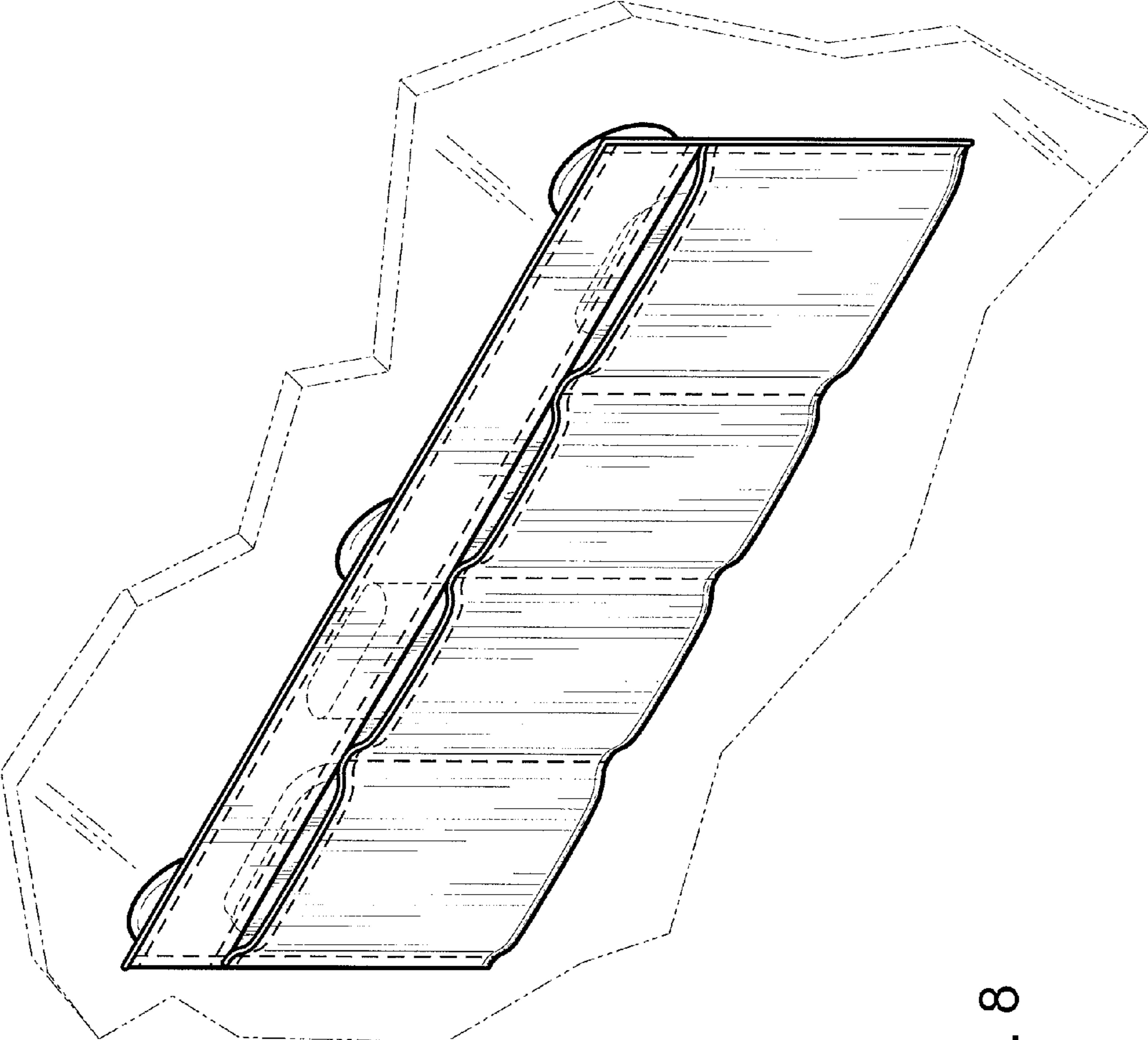


Fig. 8

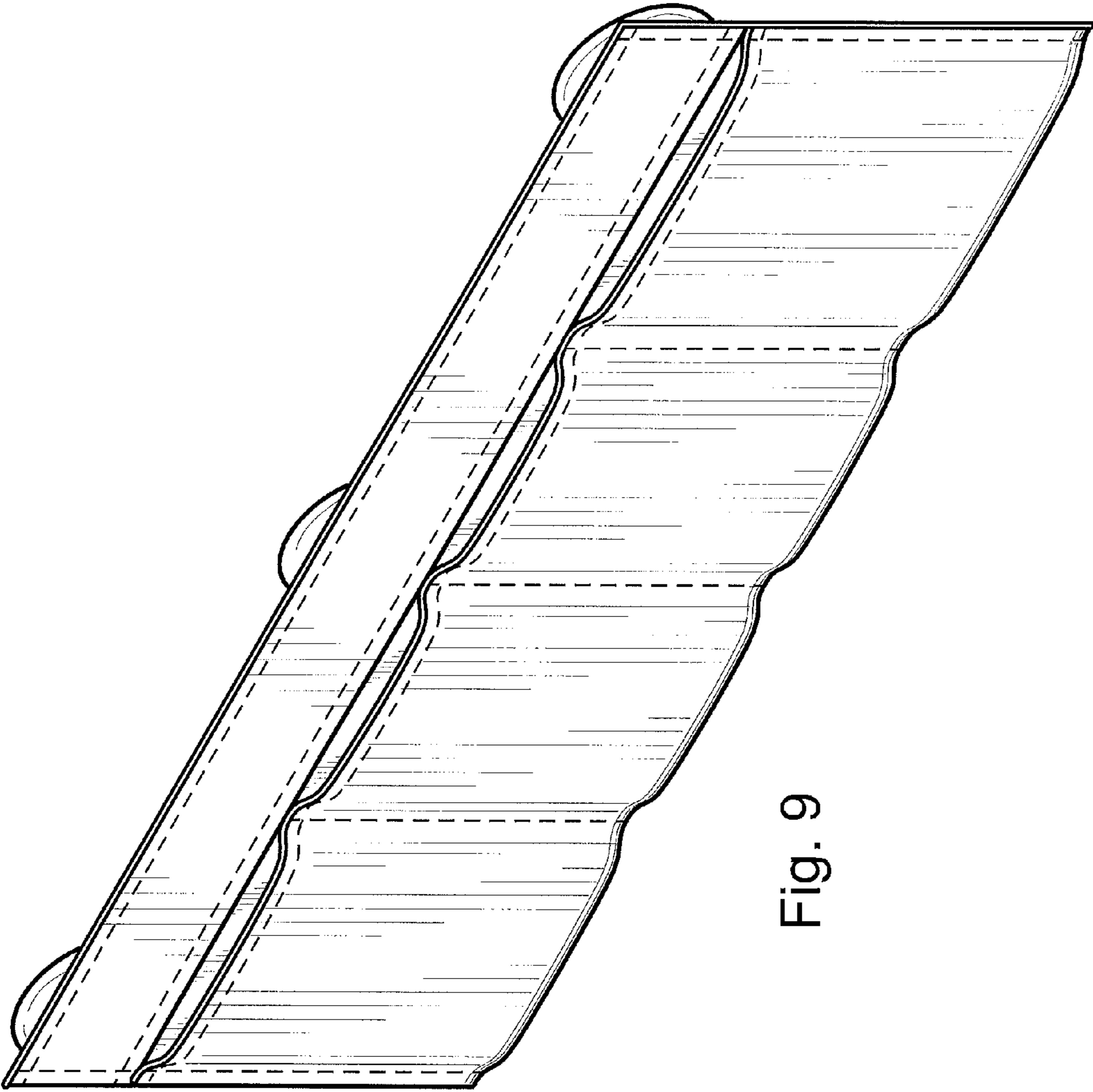


Fig. 9



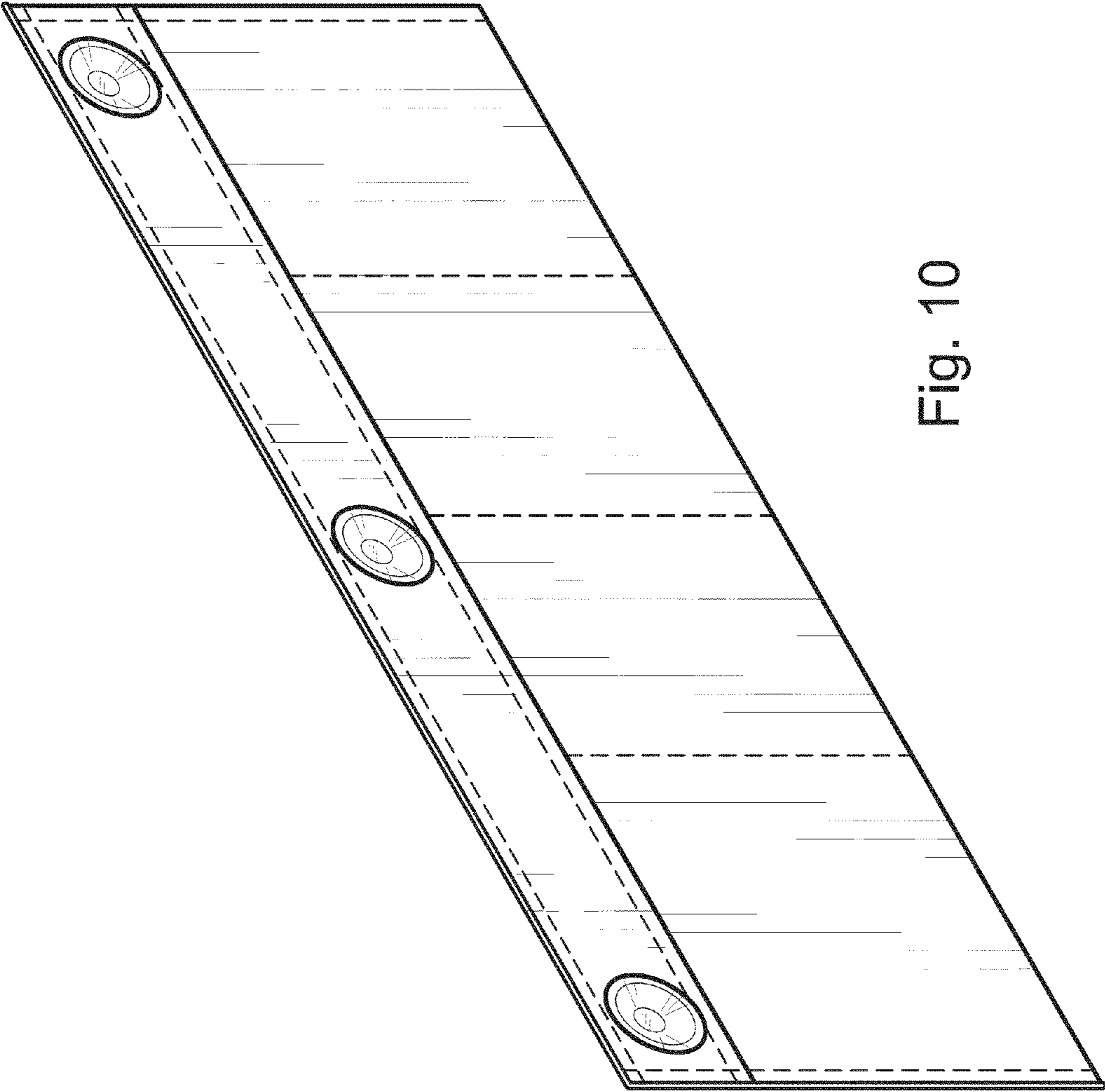


Fig. 10

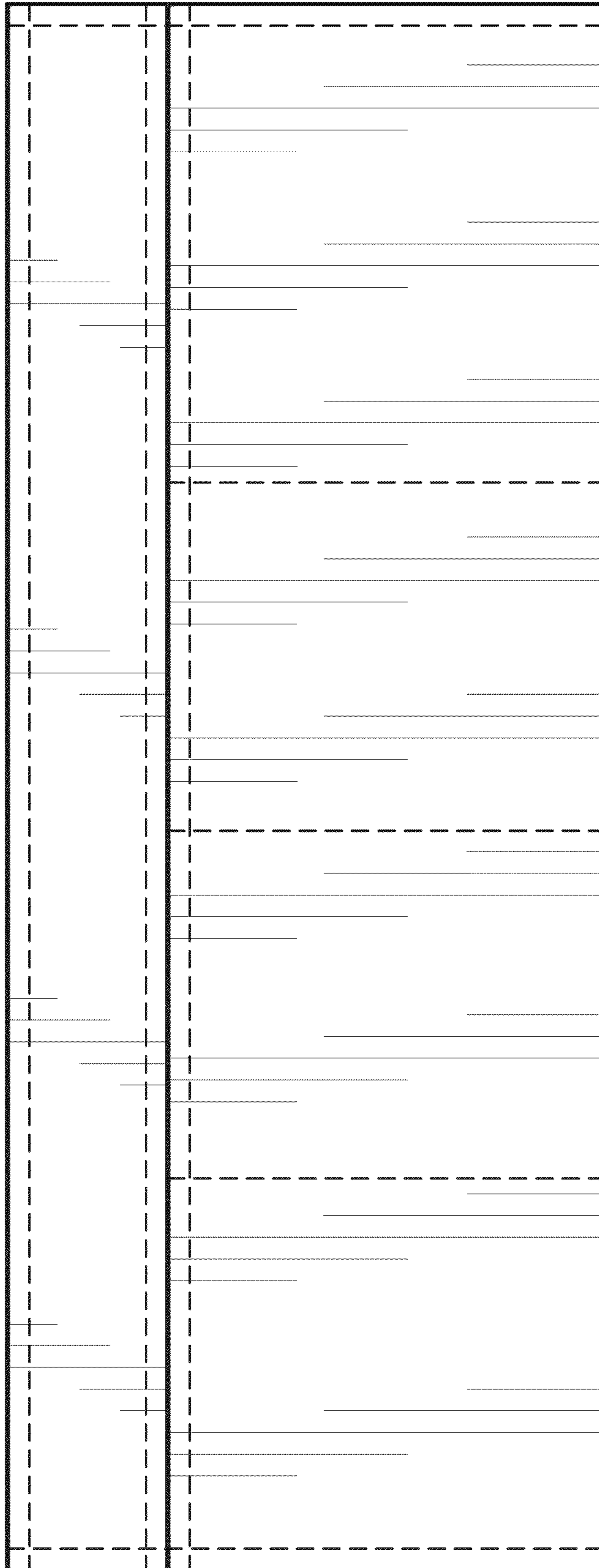


Fig. 11

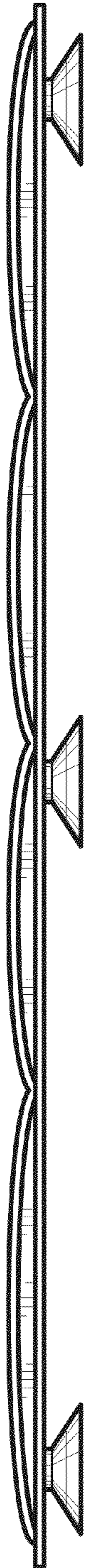


Fig. 12

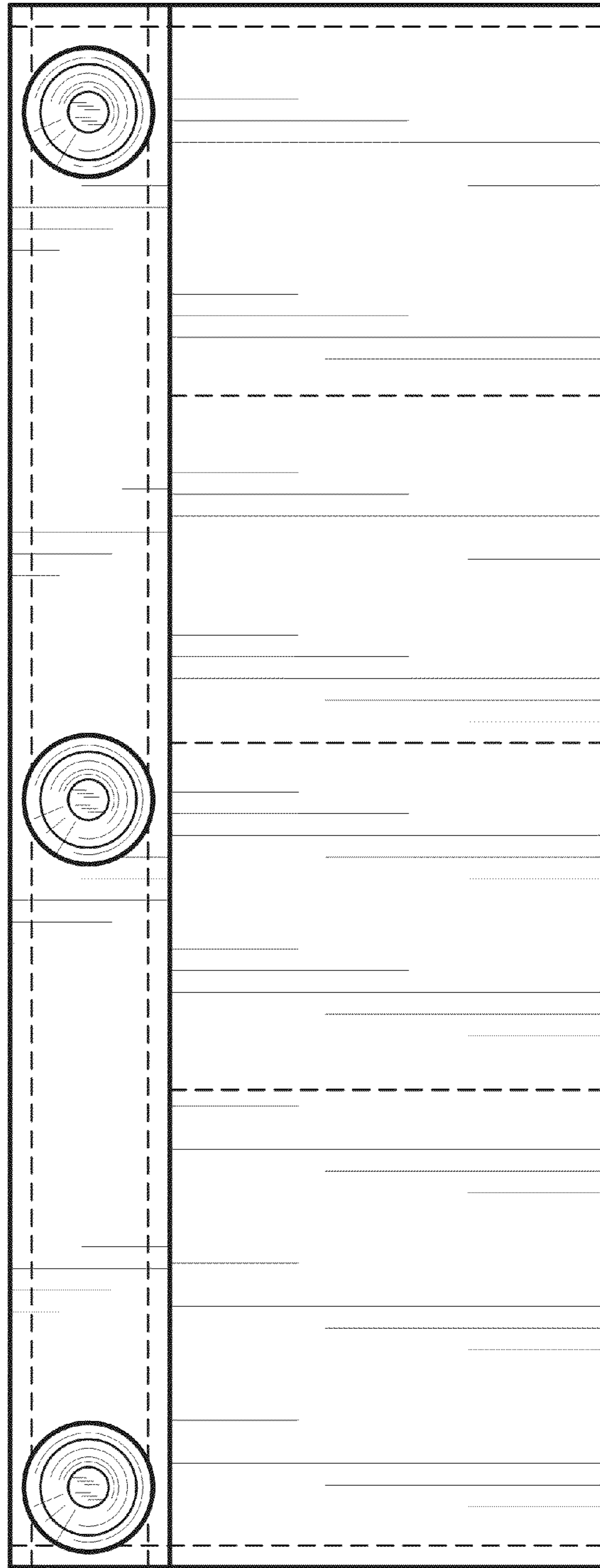


Fig. 13

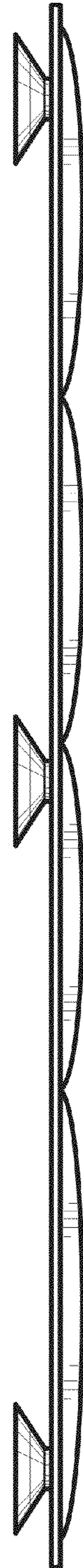


Fig. 14