



US00D710104S

(12) **United States Design Patent**  
**Tivoly**

(10) **Patent No.:** **US D710,104 S**

(45) **Date of Patent:** **\*\* Aug. 5, 2014**

(54) **TOOL CONTAINER**

(71) Applicant: **Tivoly, Inc.**, Derby Line, VT (US)

(72) Inventor: **Jean François Tivoly**, Albertville (FR)

(73) Assignee: **Tivoly, Inc.**, Derby Line, VT (US)

(\*\*) Term: **14 Years**

(21) Appl. No.: **29/454,094**

(22) Filed: **May 6, 2013**

(30) **Foreign Application Priority Data**

Jan. 29, 2013 (CN) ..... 2013 3 0026835

(51) **LOC (10) Cl.** ..... **03-01**

(52) **U.S. Cl.**  
USPC ..... **D3/282; D3/905**

(58) **Field of Classification Search**  
CPC . B25H 3/02–3/028; B25H 3/00; B25H 3/003;  
B25H 3/006  
USPC ..... D3/273, 276, 279–284, 288, 291, 292,  
D3/293, 294, 295, 297, 905; 206/372–379;  
220/4.01  
See application file for complete search history.

(56) **References Cited**

**U.S. PATENT DOCUMENTS**

D324,608 S \* 3/1992 Forbes ..... D3/282  
D471,360 S \* 3/2003 Huang ..... D3/282  
D601,797 S \* 10/2009 Wenchel et al. .... D3/294  
D621,615 S \* 8/2010 Stern ..... D3/282  
D635,766 S \* 4/2011 Roesler ..... D3/282

D665,166 S \* 8/2012 Khalifa et al. .... D3/260  
D668,455 S \* 10/2012 Chang ..... D3/282  
2003/0221984 A1 \* 12/2003 Huang ..... 206/372  
2007/0074984 A1 \* 4/2007 Liu ..... 206/349  
2009/0188931 A1 \* 7/2009 Liu ..... 206/373  
2010/0230313 A1 \* 9/2010 Allan et al. .... 206/373  
2010/0320108 A1 \* 12/2010 Riedel et al. .... 206/372  
2013/0155657 A1 \* 6/2013 Werner et al. .... 206/349

\* cited by examiner

*Primary Examiner* — Jennifer Rivard

(74) *Attorney, Agent, or Firm* — Downs Rachlin Martin PLLC

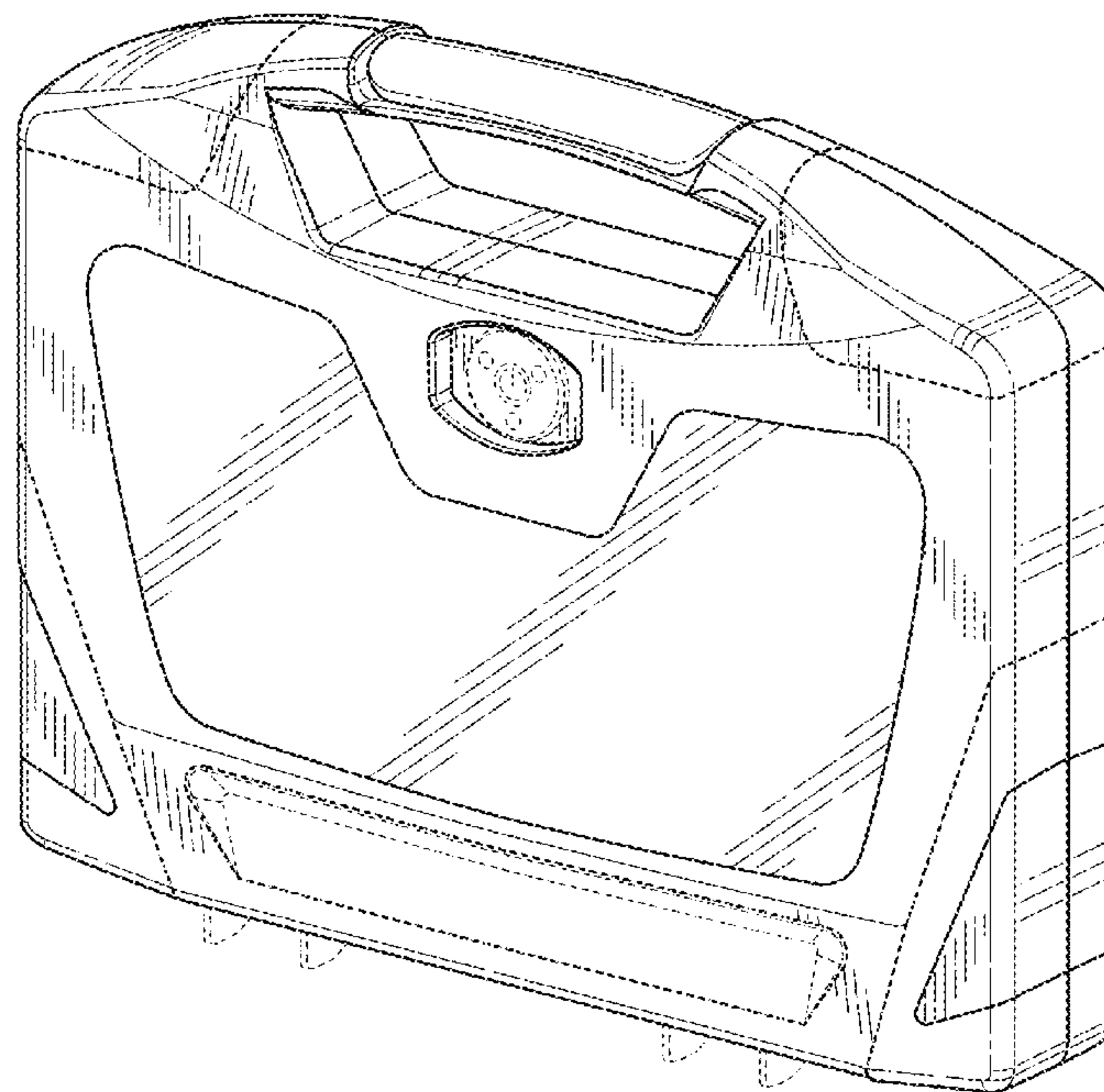
(57) **CLAIM**

I claim the ornamental design for a tool container, as shown and described.

**DESCRIPTION**

FIG. 1 is a perspective view of a tool container showing my new design;  
FIG. 2 is a front view thereof;  
FIG. 3 is a rear view thereof;  
FIG. 4 is a side view thereof;  
FIG. 5 is a second side view thereof;  
FIG. 6 is a top view thereof;  
FIG. 7 is a bottom view thereof; and,  
FIG. 8 is a further side view of the tool container according to my design, illustrating the open cover.  
The broken lines illustrate portions of the tool container and form no part of the claimed design.

**1 Claim, 8 Drawing Sheets**



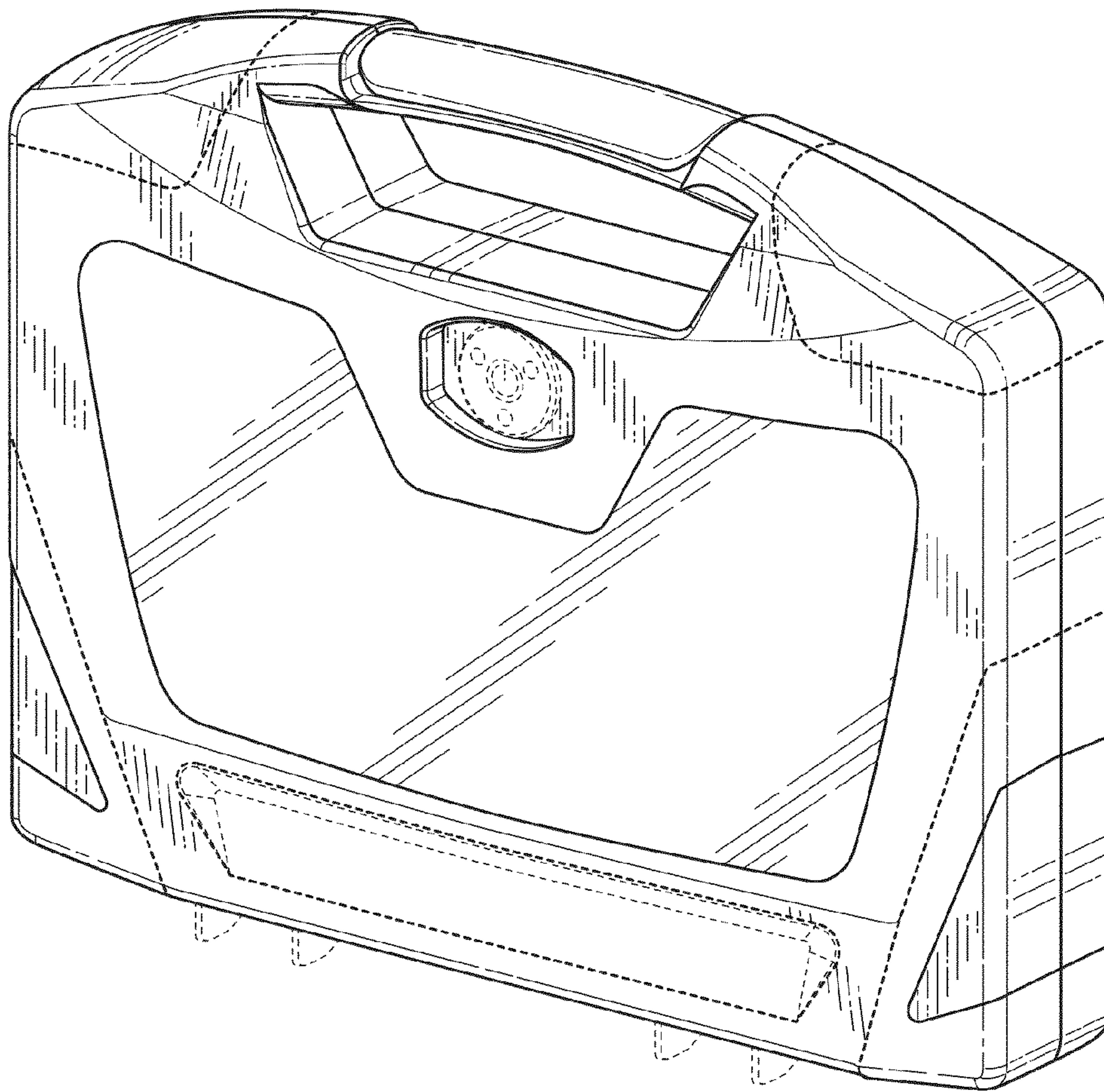


FIG. 1

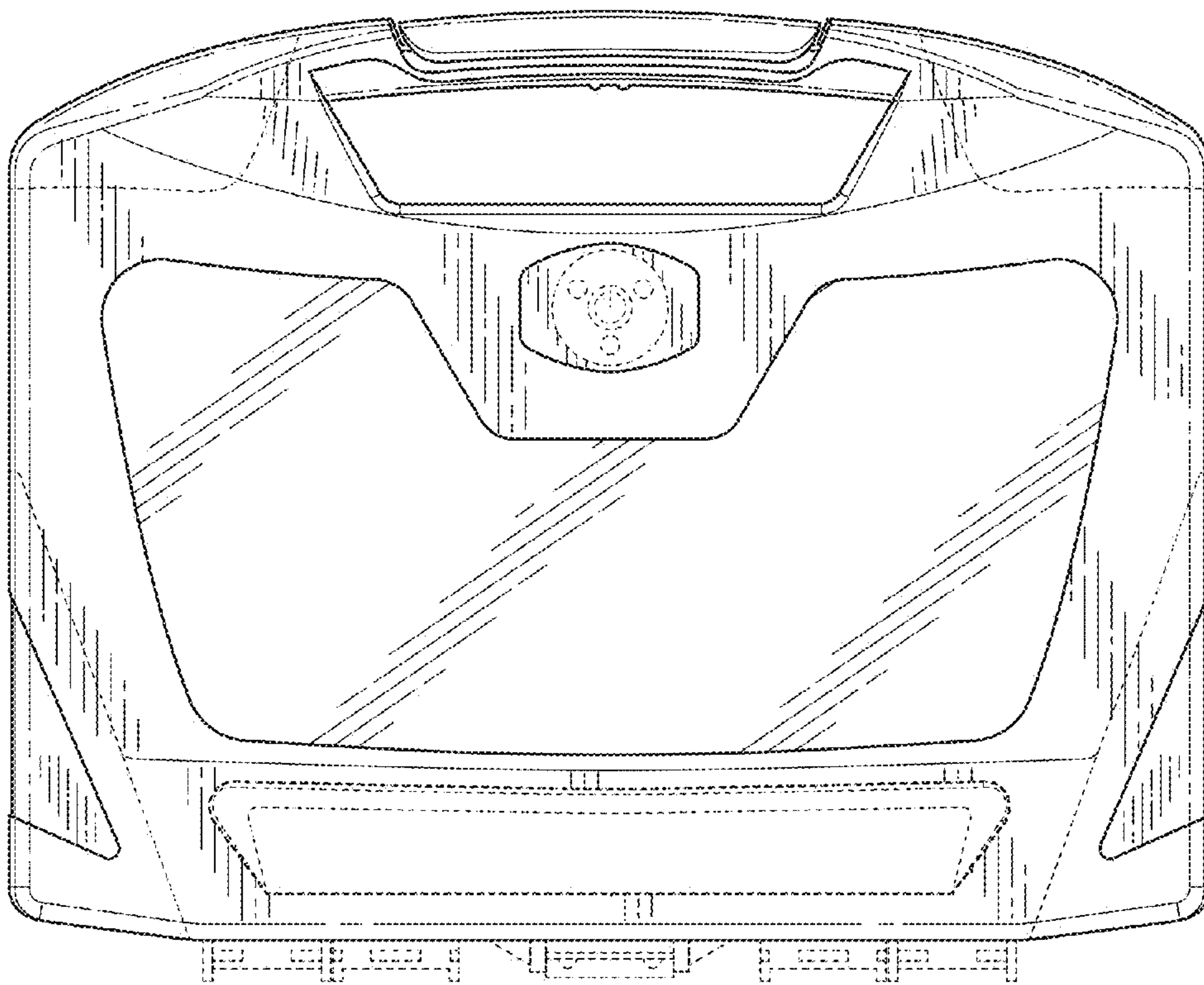


FIG. 2



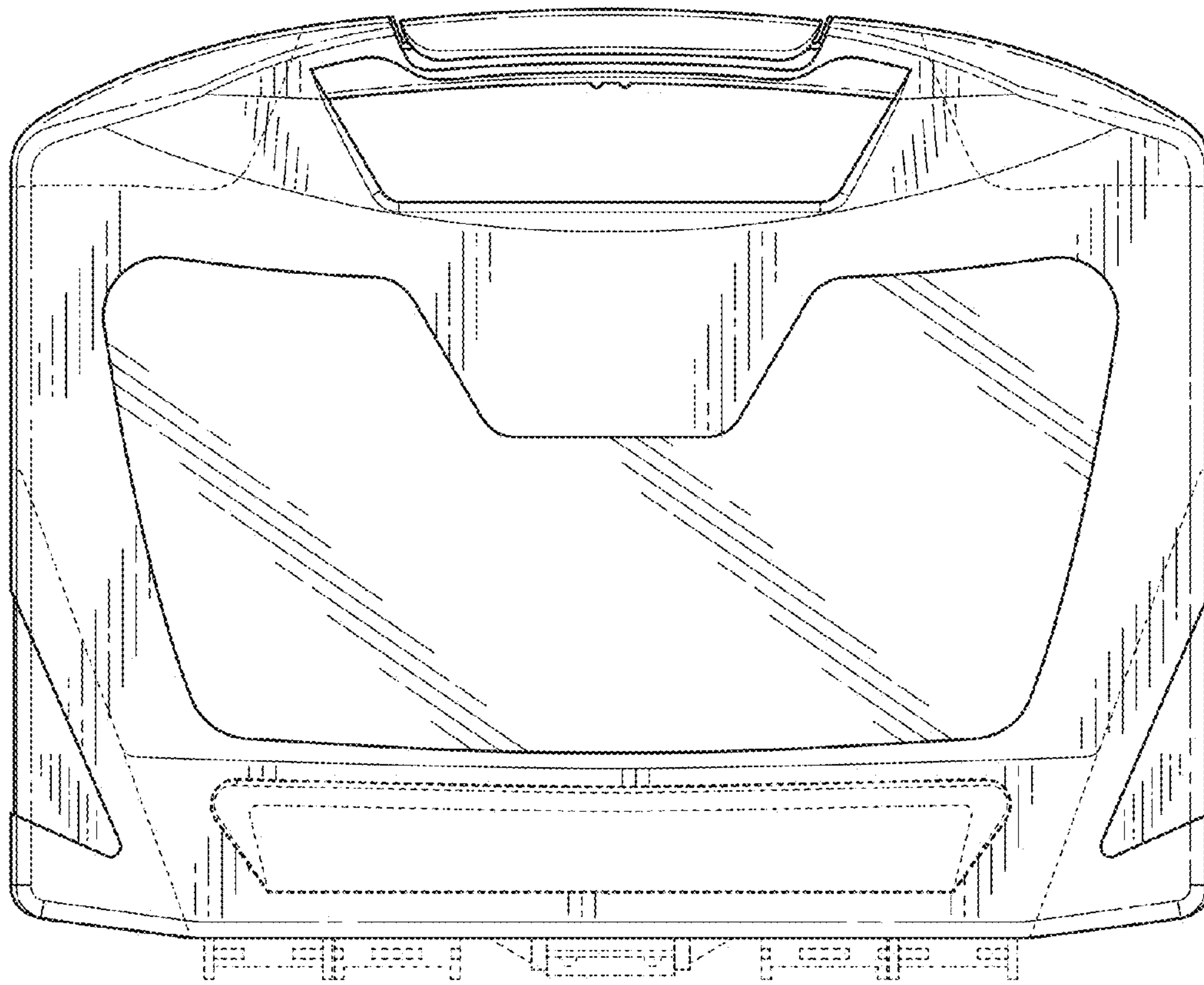


FIG. 3

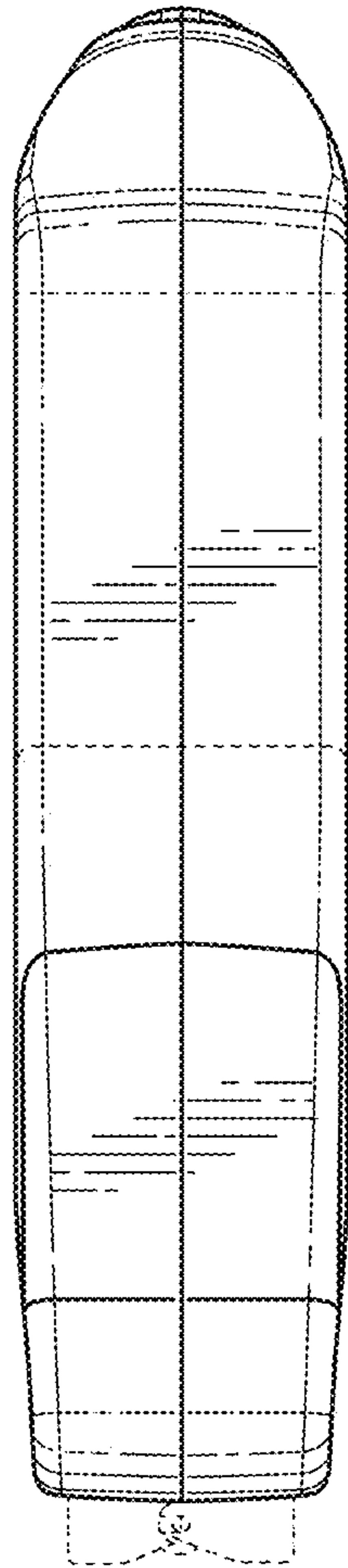


FIG. 4

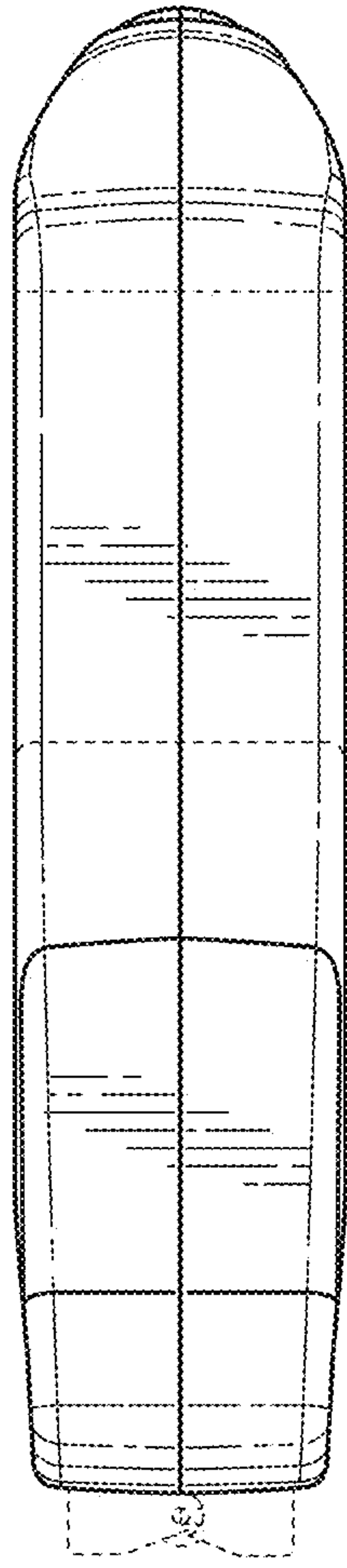


FIG. 5

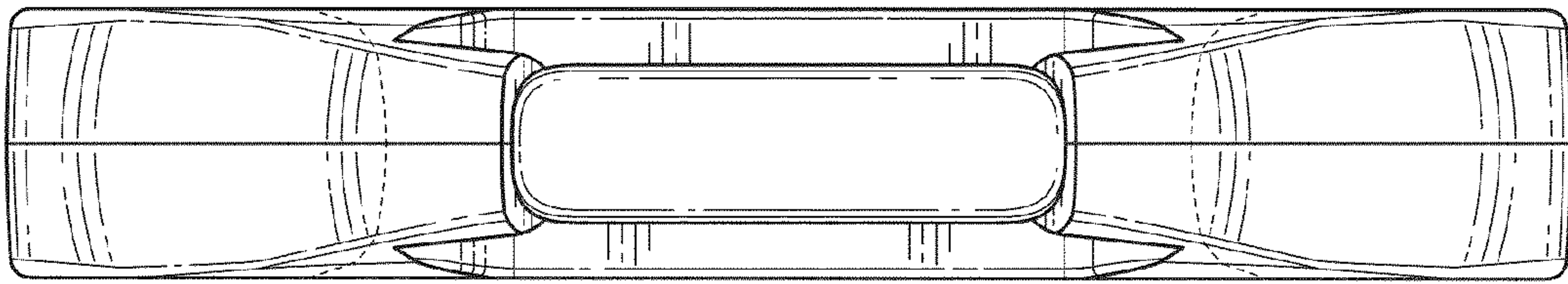


FIG. 6

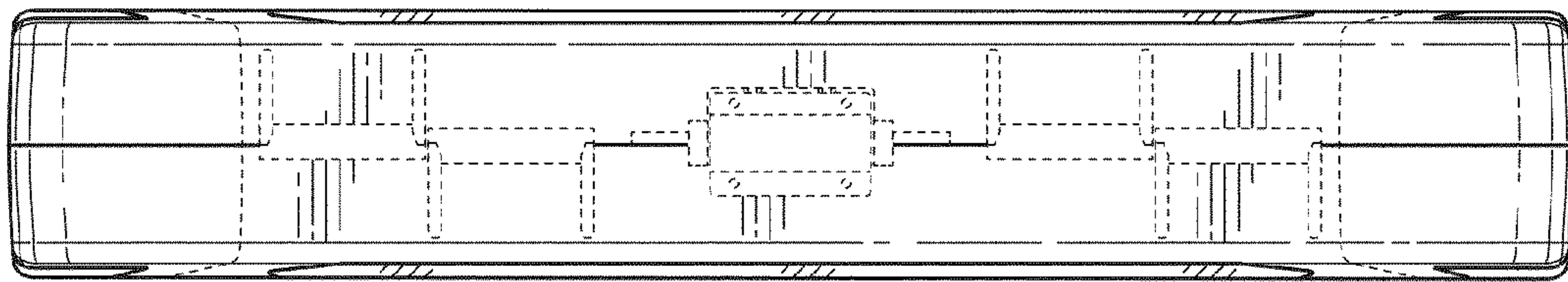


FIG. 7



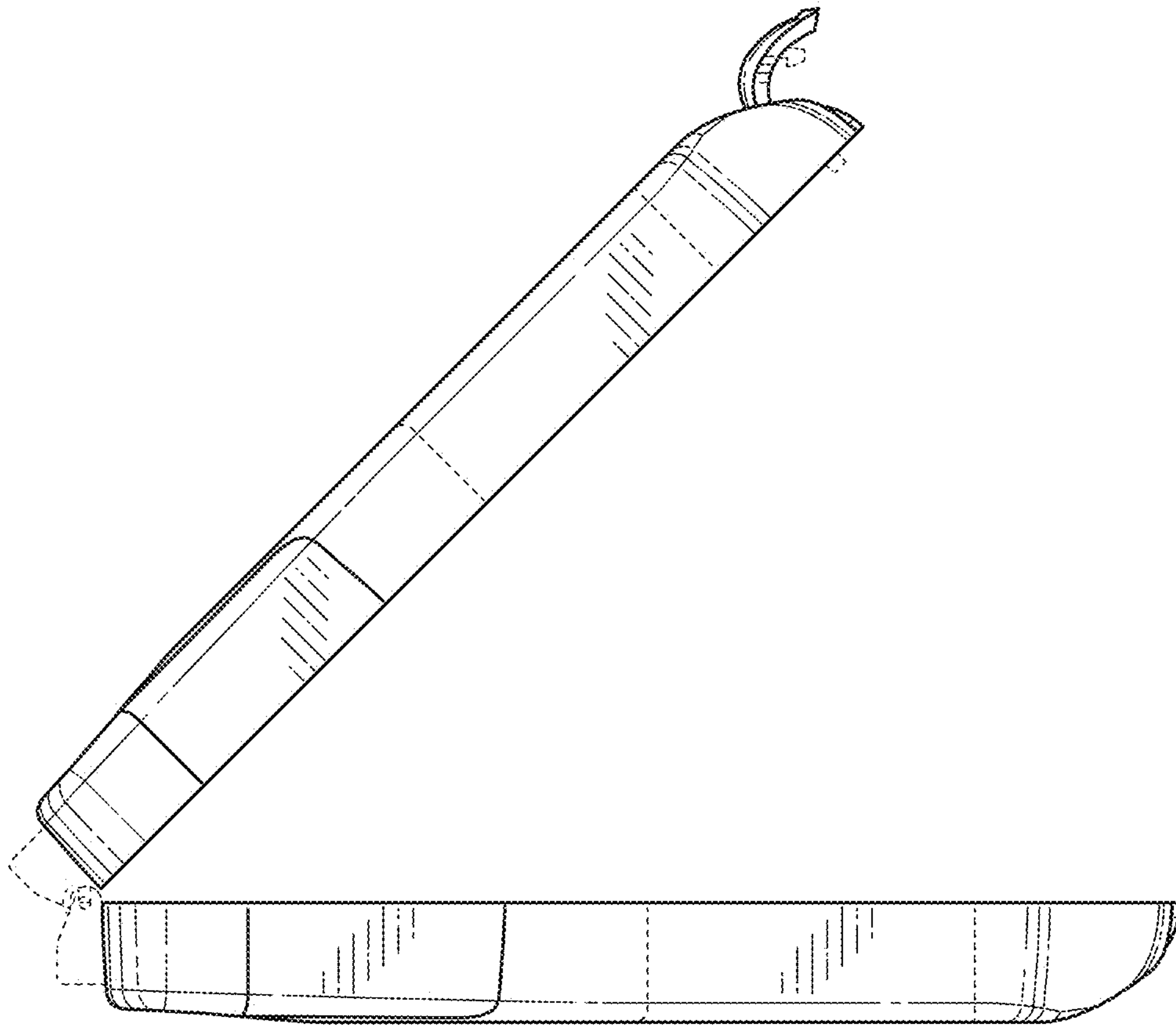


FIG. 8