



US00D710103S

(12) **United States Design Patent**
Horovitz

(10) **Patent No.:** **US D710,103 S**

(45) **Date of Patent:** **** Aug. 5, 2014**

(54) **TOOLBOX**

(71) Applicant: **The Stanley Works Israel Ltd.**, Rosh Ha' Ayin (IL)

(72) Inventor: **Nadin Daniel Horovitz**, Rehovot (IL)

(73) Assignee: **The Stanley Works Israel, Ltd.**, Rosh Ha' Ayin (IL)

(**) Term: **14 Years**

(21) Appl. No.: **29/469,357**

(22) Filed: **Oct. 9, 2013**

(30) **Foreign Application Priority Data**

Apr. 18, 2013 (EM) 001368302

(51) **LOC (10) Cl.** **03-01**

(52) **U.S. Cl.**
USPC **D3/281; D3/905**

(58) **Field of Classification Search**
CPC . B25H 3/02-3/028; B25H 3/00; B25H 3/003; B25H 3/006
USPC D3/273, 276, 279-284, 288, 291, 292, D3/293, 294, 295, 297, 905; 206/372-379; 220/4.01

See application file for complete search history.

(56) **References Cited**

U.S. PATENT DOCUMENTS

D647,300	S	*	10/2011	Shitrit et al.	D3/281
D668,867	S	*	10/2012	Yamamot	D3/281
D668,868	S	*	10/2012	Lehovetzki	D3/281
D672,956	S	*	12/2012	Duvigneau	D3/281
D693,121	S	*	11/2013	Bensman et al.	D3/279
2006/0249412	A1	*	11/2006	Hernandez et al.	206/379

* cited by examiner

Primary Examiner — Jennifer Rivard

(74) *Attorney, Agent, or Firm* — Gabriel Haboubi

(57) **CLAIM**

The ornamental design for a toolbox, as shown and described.

DESCRIPTION

FIG. 1 is a right front perspective view of my new design.

FIG. 2 is a front view thereof.

FIG. 3 is a rear view thereof.

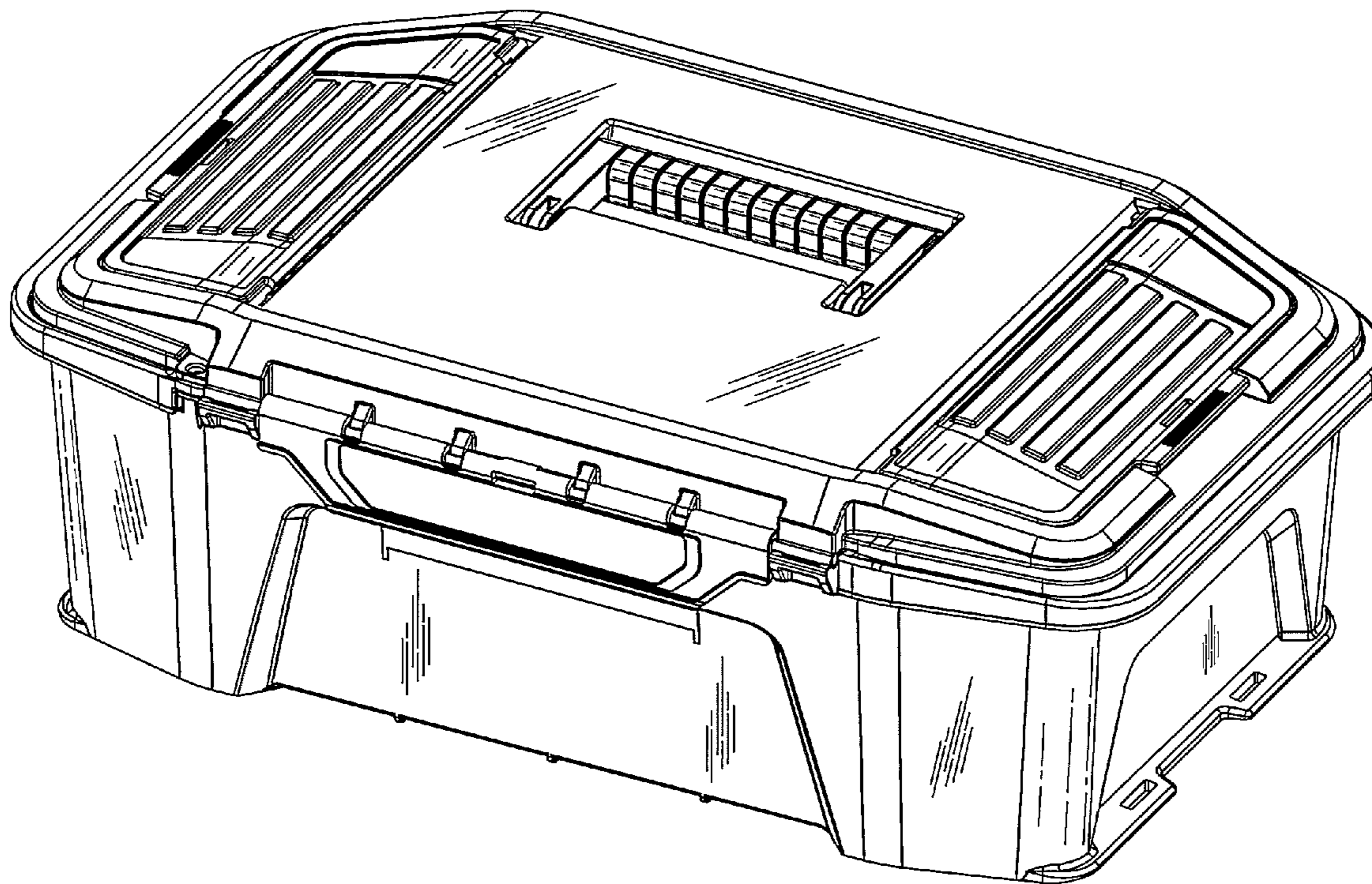
FIG. 4 is a left side view thereof.

FIG. 5 is a right side view thereof.

FIG. 6 is a top view thereof; and,

FIG. 7 is a bottom view thereof.

1 Claim, 7 Drawing Sheets



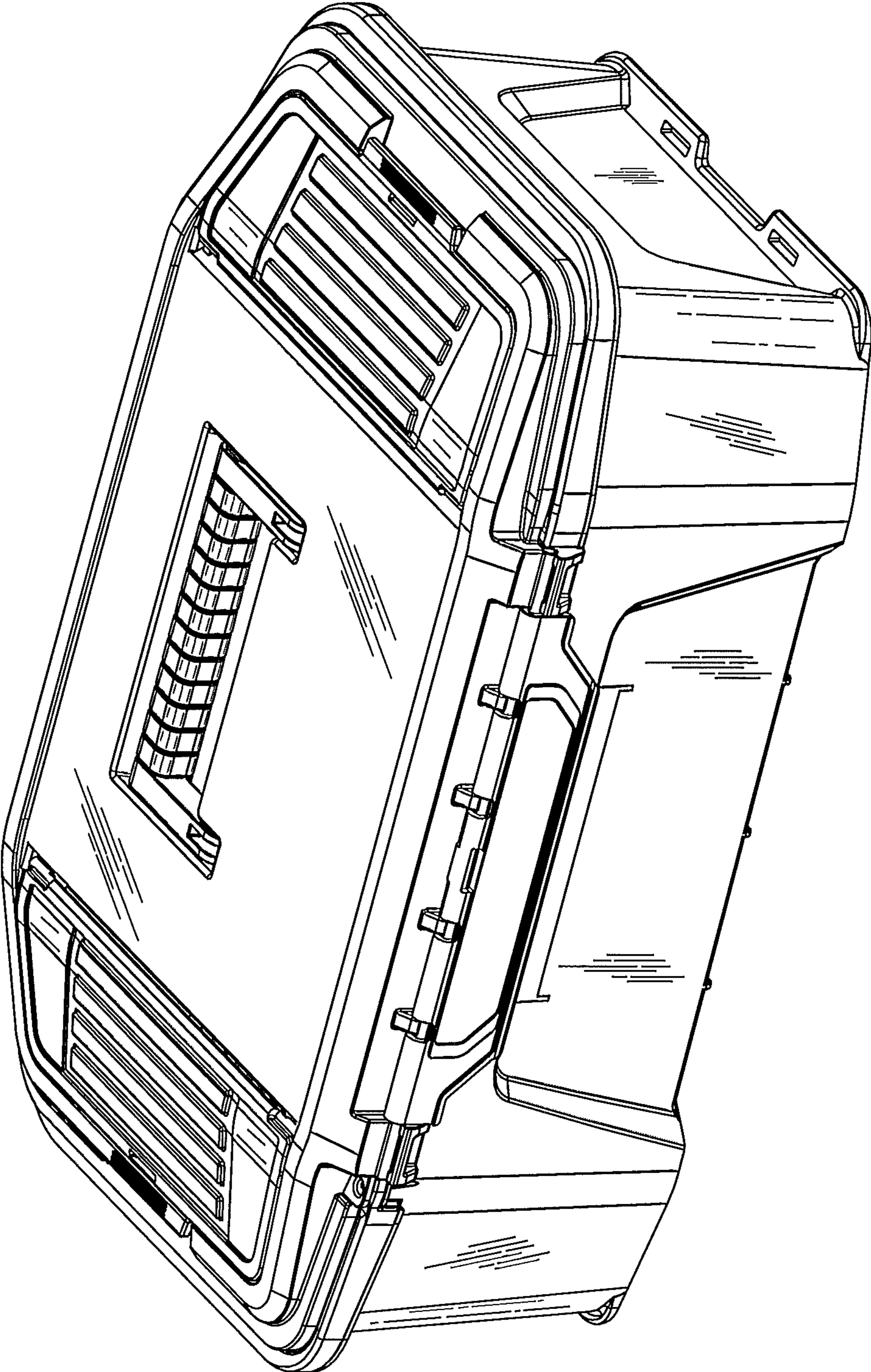


FIG.1

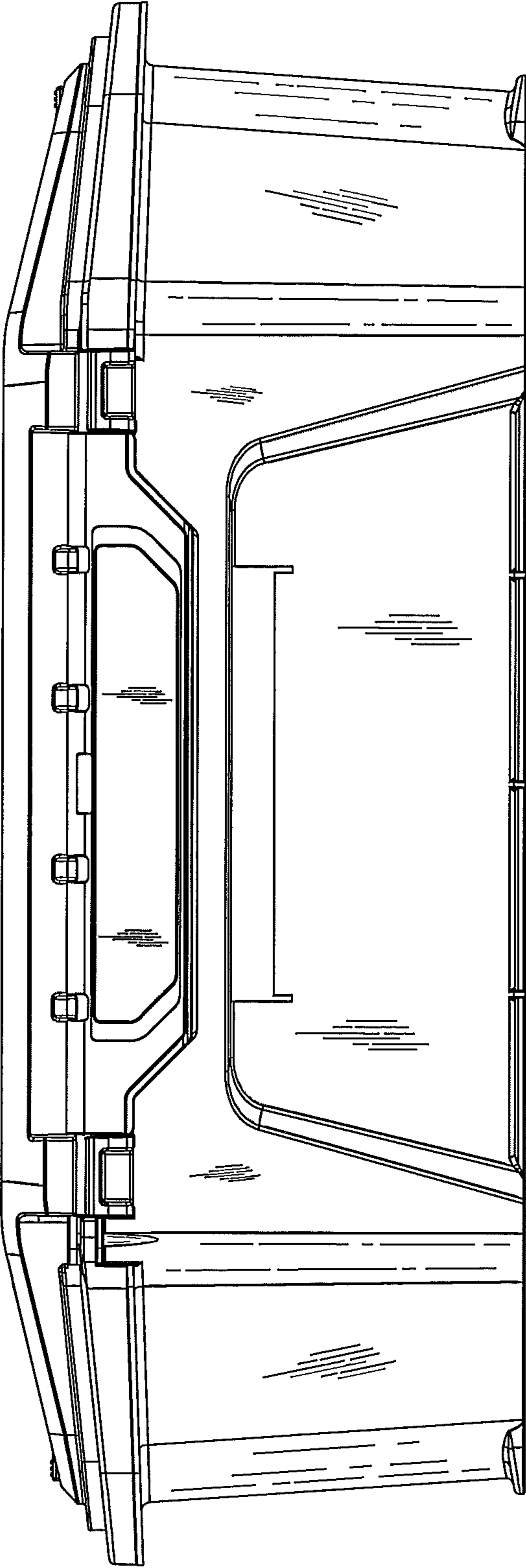


FIG.2

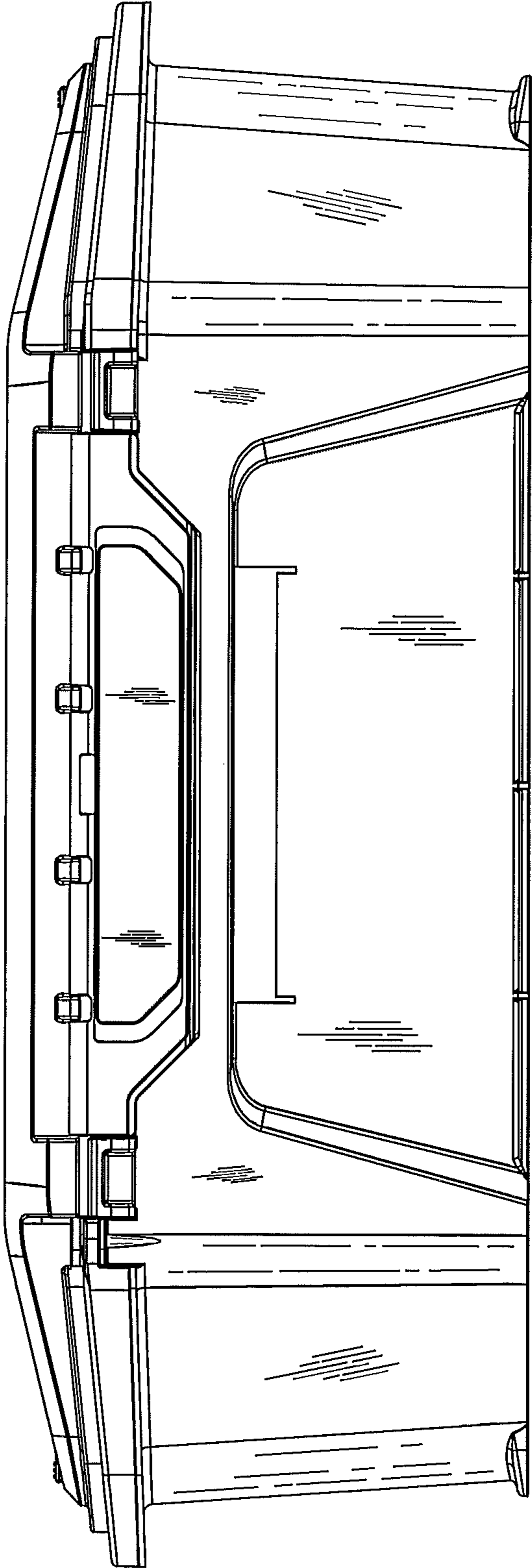


FIG.3

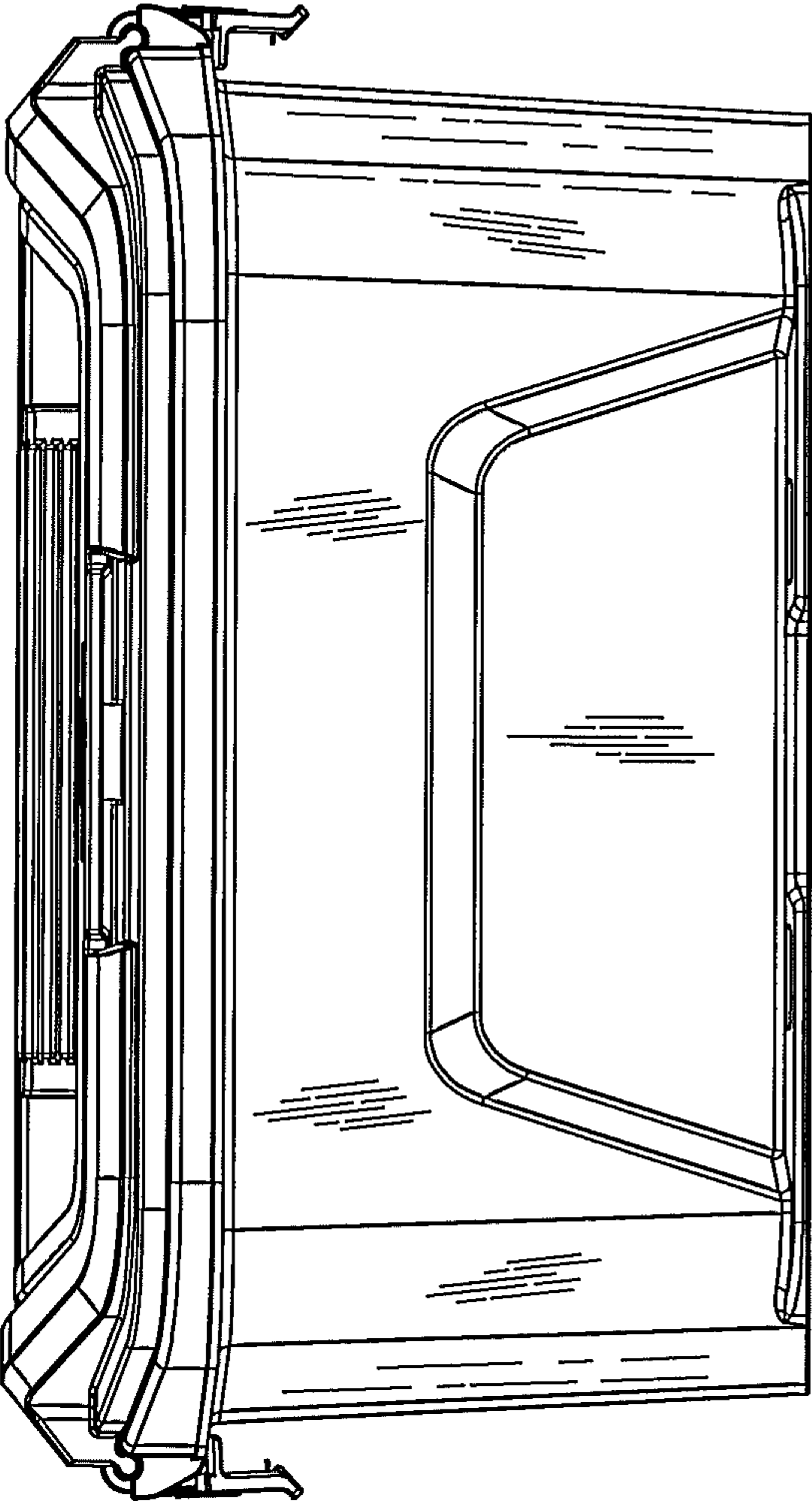


FIG.4

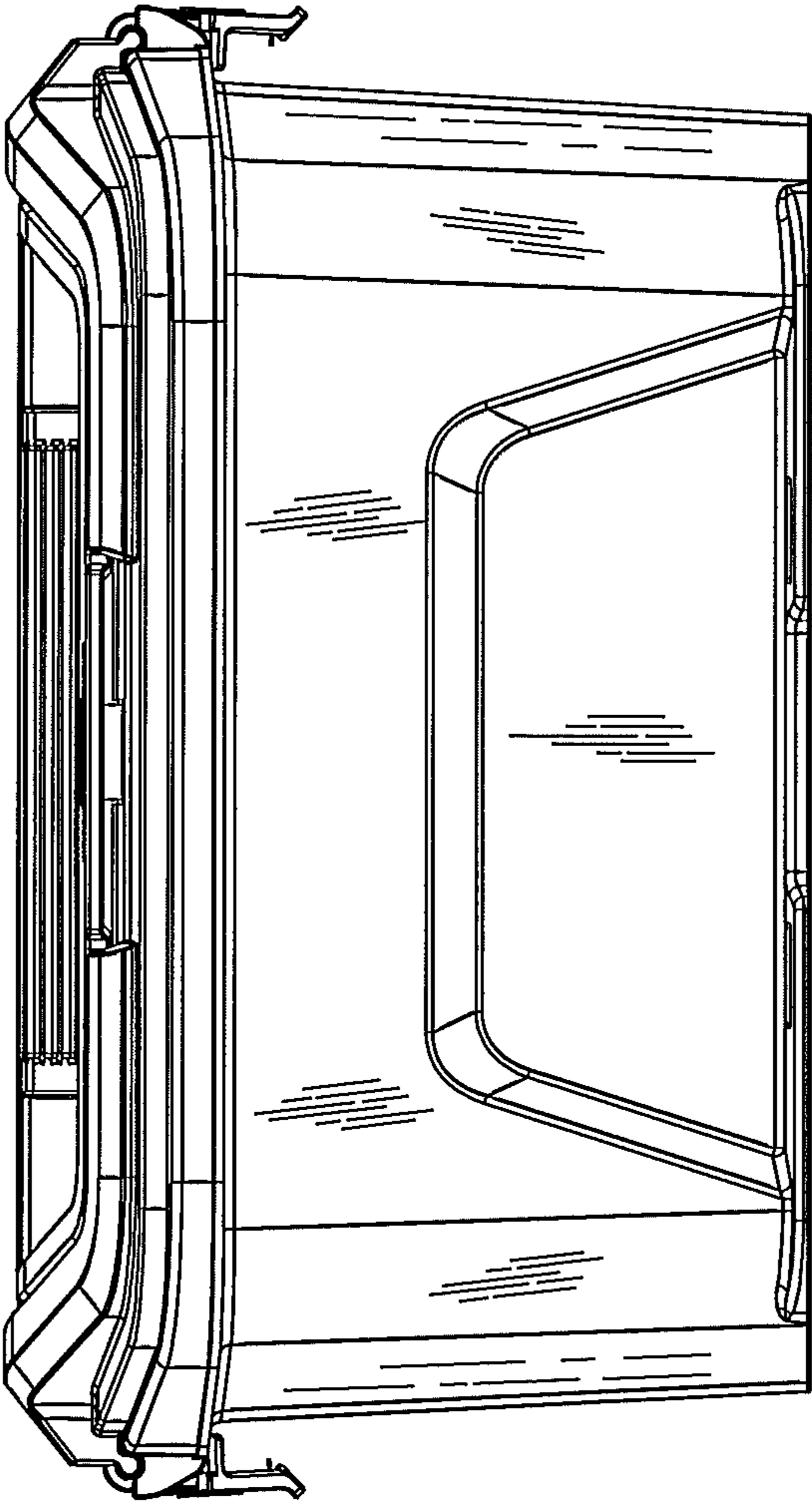


FIG.5

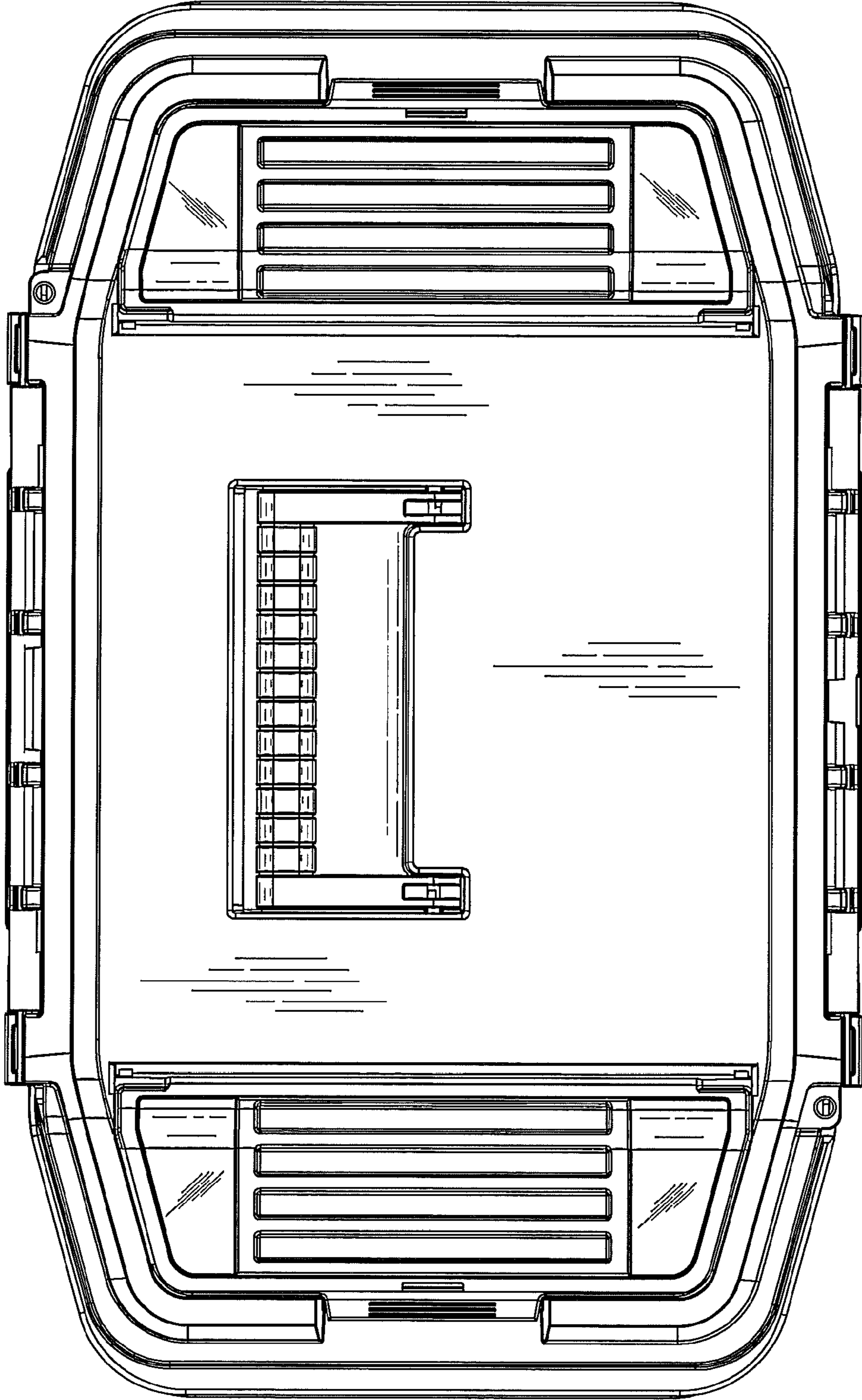


FIG.6

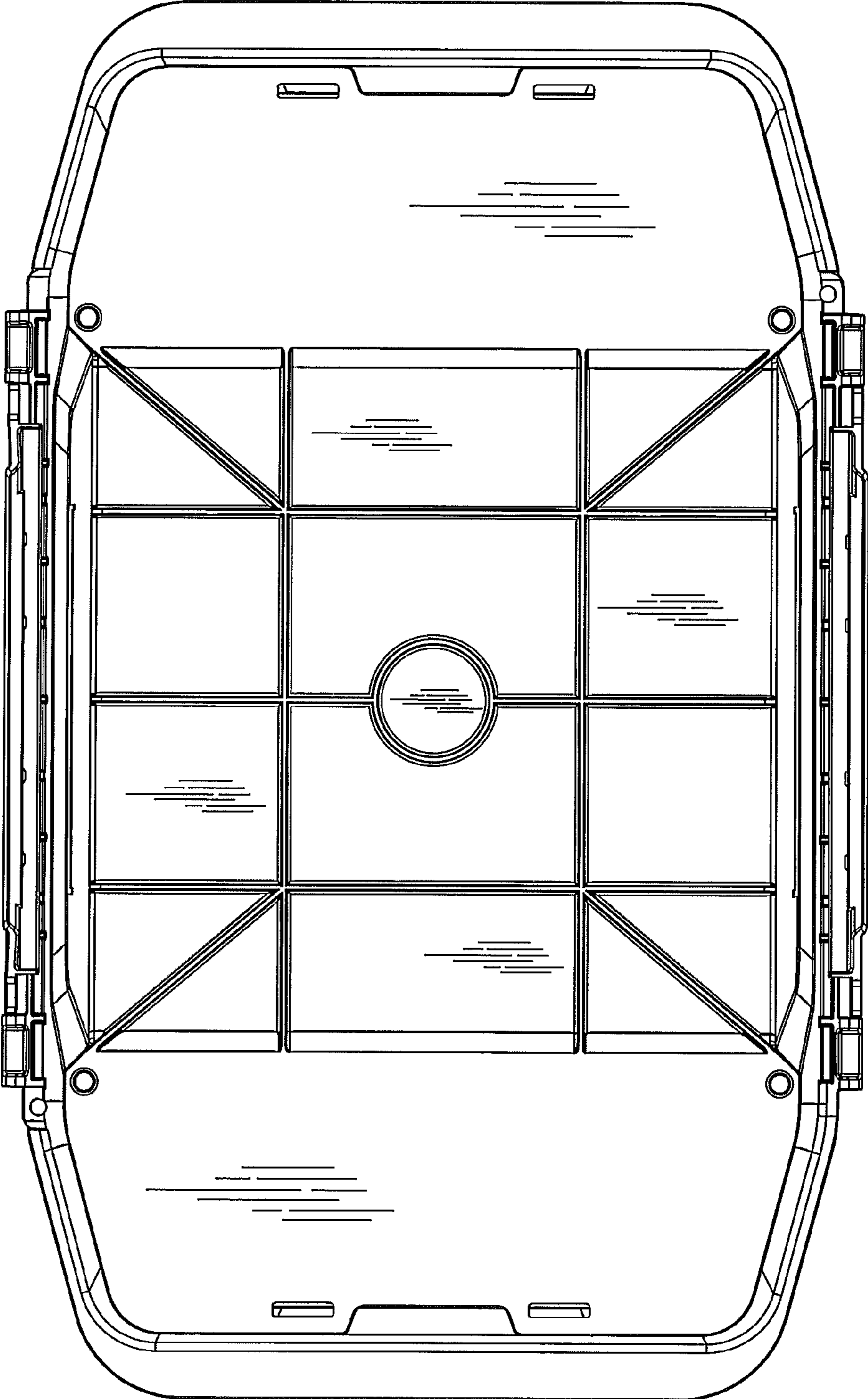


FIG.7