



US00D710101S

(12) **United States Design Patent**
Wu

(10) **Patent No.:** **US D710,101 S**
(45) **Date of Patent:** **** Aug. 5, 2014**

(54) **TEXTURED UPRIGHT LUGGAGE CASE**

FOREIGN PATENT DOCUMENTS

(71) Applicant: **Chen-Chuan Wu**, Taipei Hsien (TW)

EM 002136127-0004 * 11/2012

EM 001988460-0001 * 2/2014

(72) Inventor: **Chen-Chuan Wu**, Taipei Hsien (TW)

* cited by examiner

(**) Term: **14 Years**

Primary Examiner — Jennifer Rivard

(21) Appl. No.: **29/462,216**

(74) *Attorney, Agent, or Firm* — Muncy, Geissler, Olds & Lowe, P.C.

(22) Filed: **Jul. 31, 2013**

(51) **LOC (10) Cl.** **03-01**

(52) **U.S. Cl.**
USPC **D3/279**

(58) **Field of Classification Search**

USPC D3/272, 276, 278, 279, 273, 274, 281,
D3/289, 321; 190/100–127, 903, 37, 39,
190/18 A

See application file for complete search history.

(57) **CLAIM**

The ornamental design for a textured upright luggage case, as shown and described.

DESCRIPTION

FIG. 1 is a perspective view of a textured upright luggage case showing the new design;

FIG. 2 is a front view thereof;

FIG. 3 is a rear view thereof;

FIG. 4 is a left side view thereof;

FIG. 5 is a right side view thereof;

FIG. 6 is a top view thereof; and,

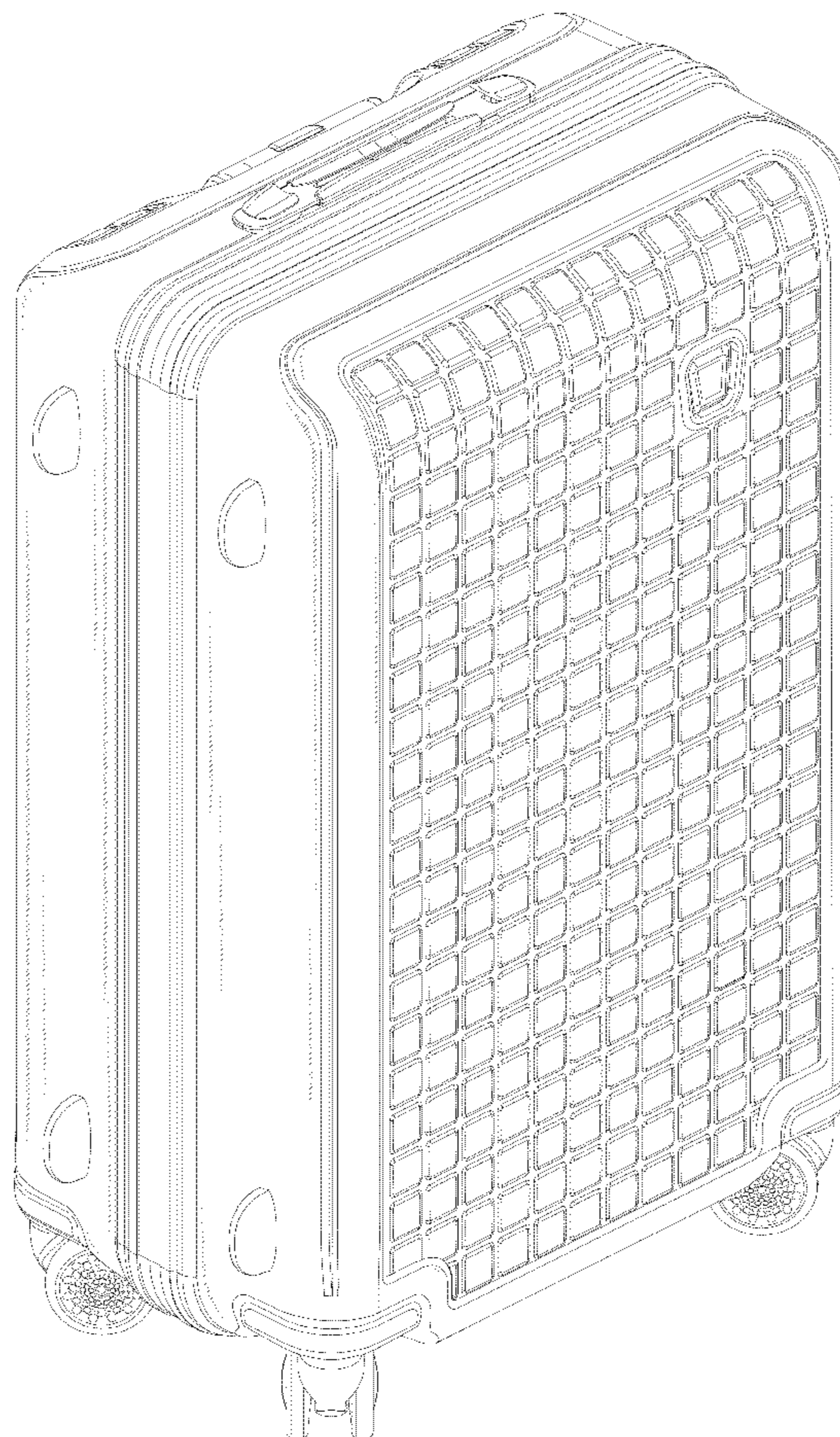
FIG. 7 is a bottom view thereof.

(56) **References Cited**

U.S. PATENT DOCUMENTS

D581,666 S * 12/2008 Sijmons D3/279
D610,349 S * 2/2010 Ehret D3/279
D633,716 S * 3/2011 Turella-Yuan et al. D3/279

1 Claim, 7 Drawing Sheets



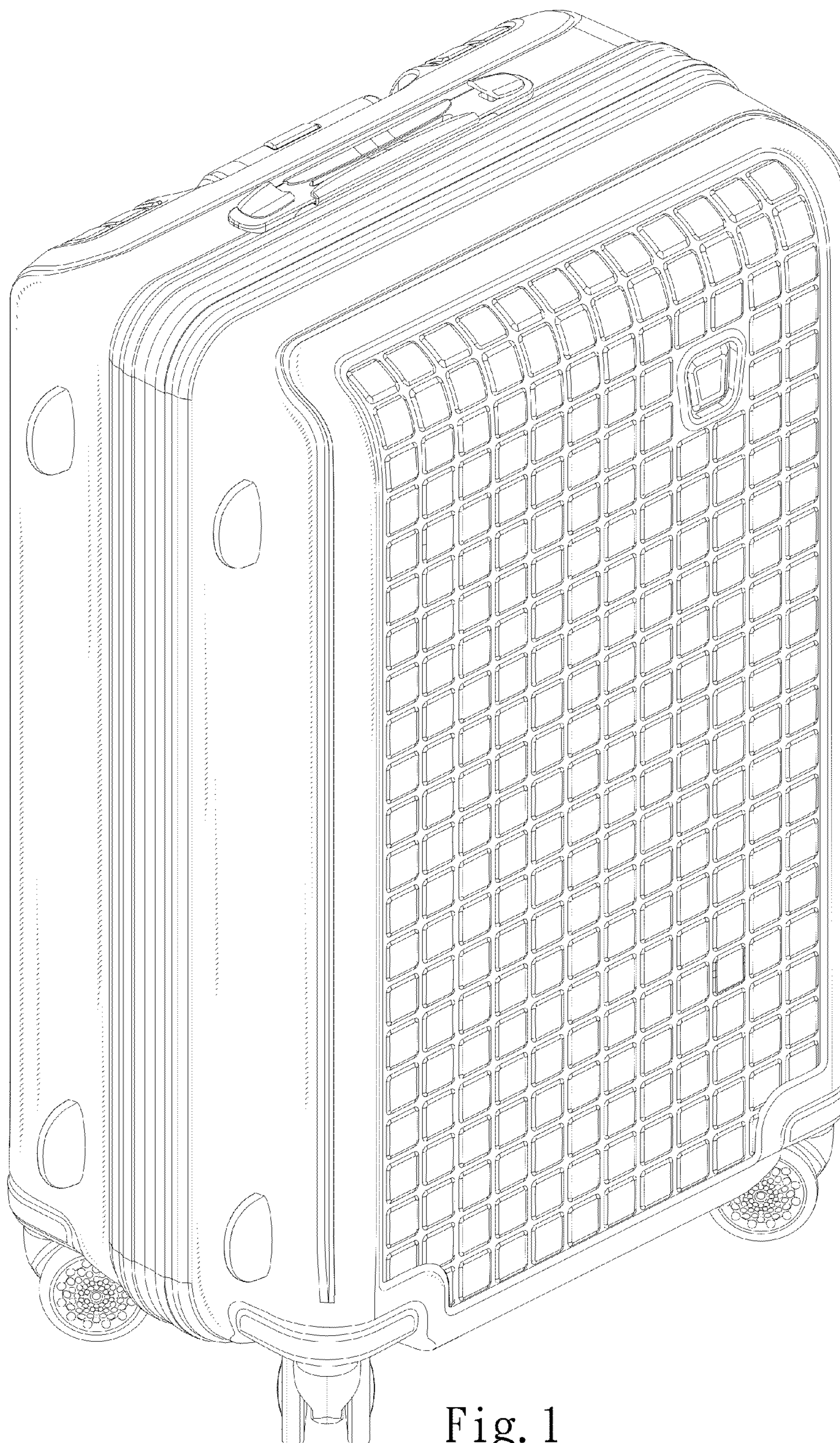


Fig. 1

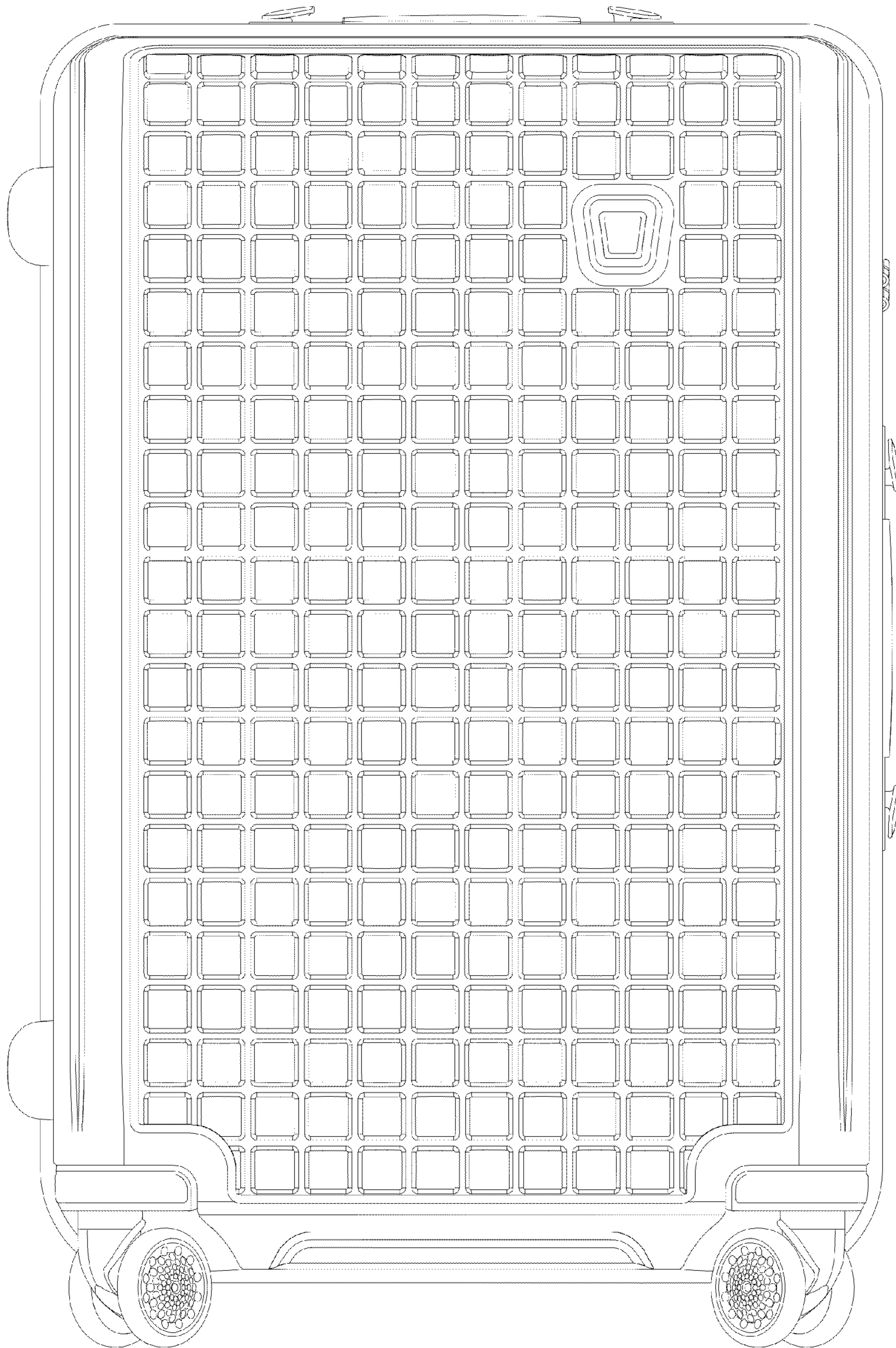


Fig. 2

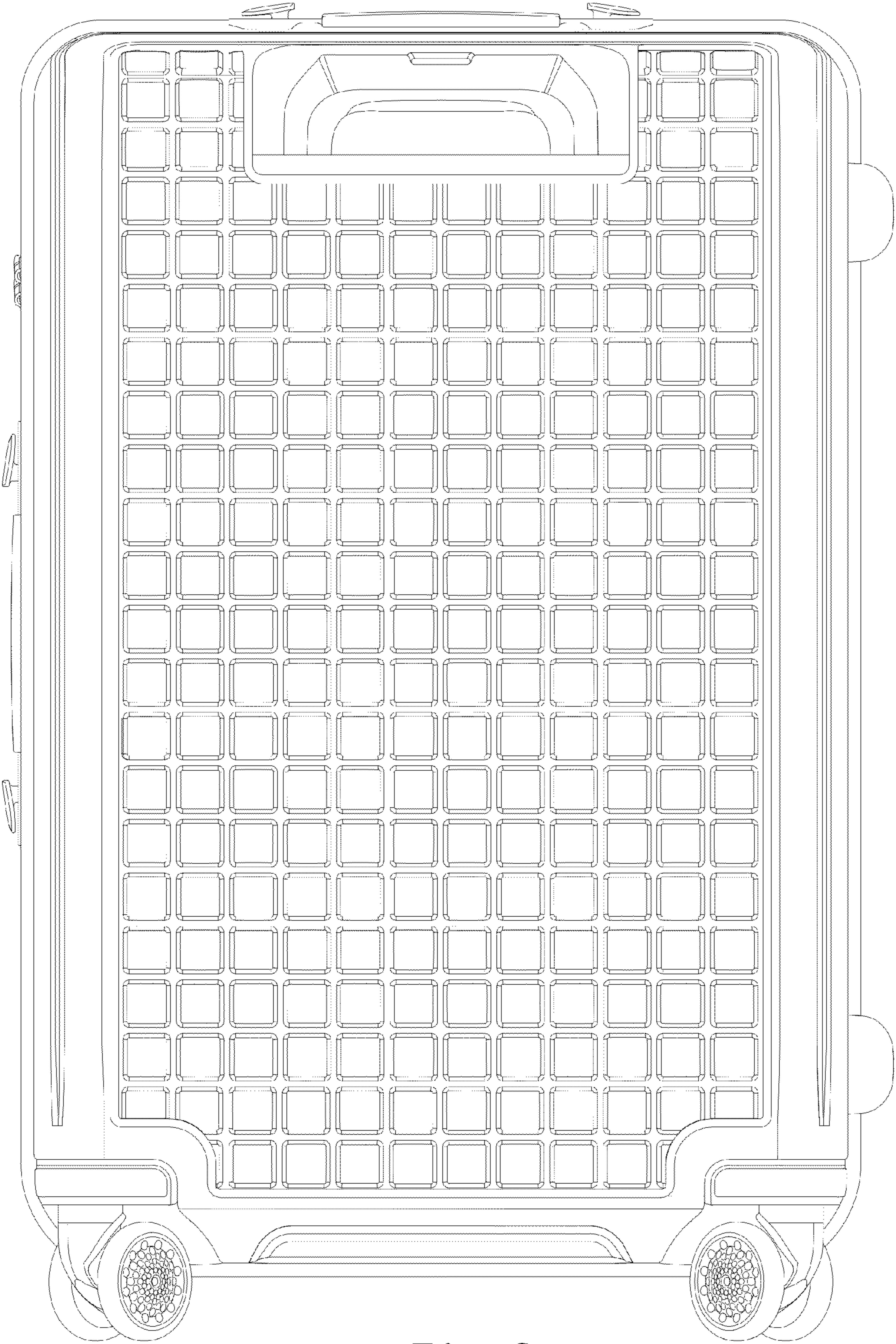


Fig. 3

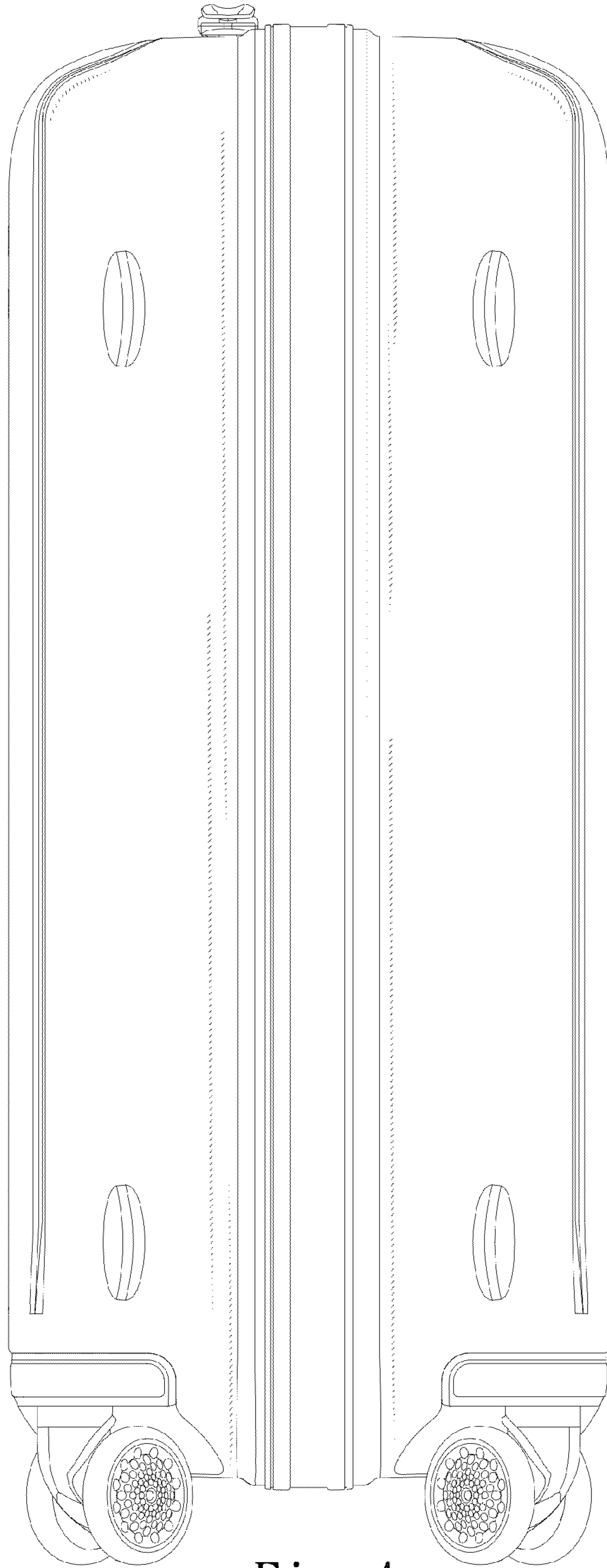


Fig. 4

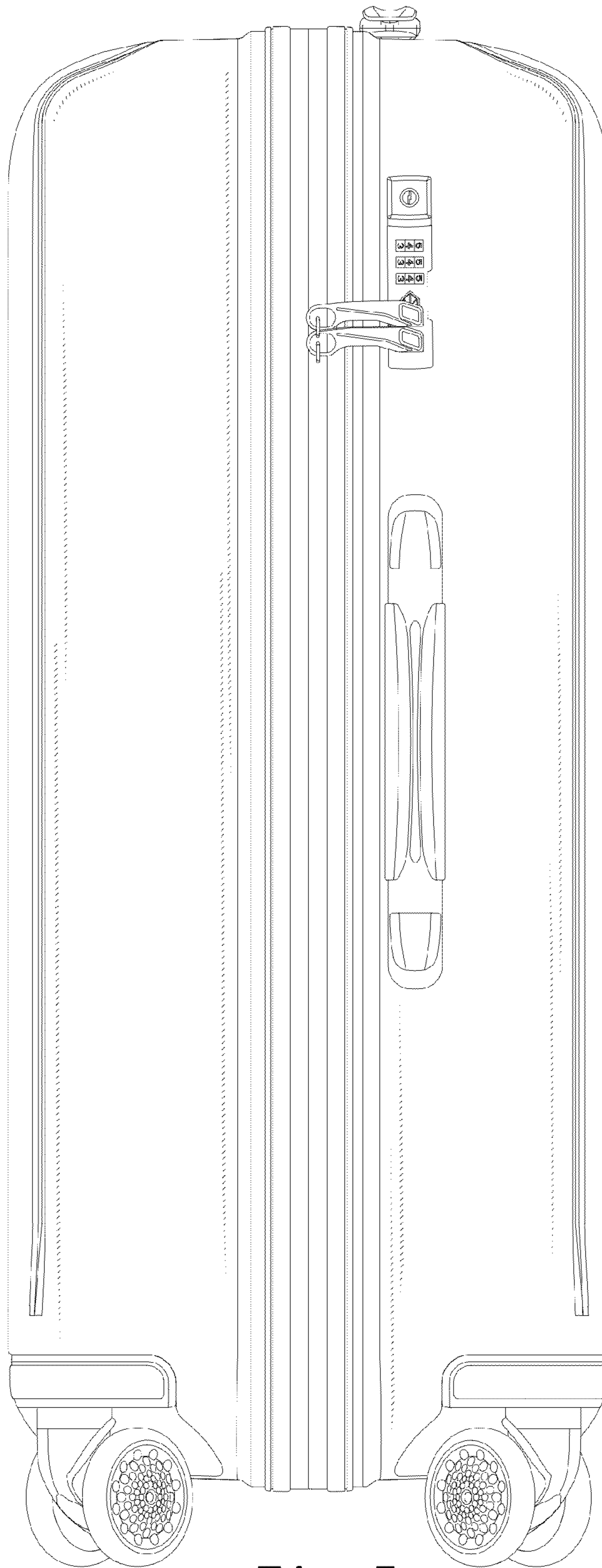


Fig. 5

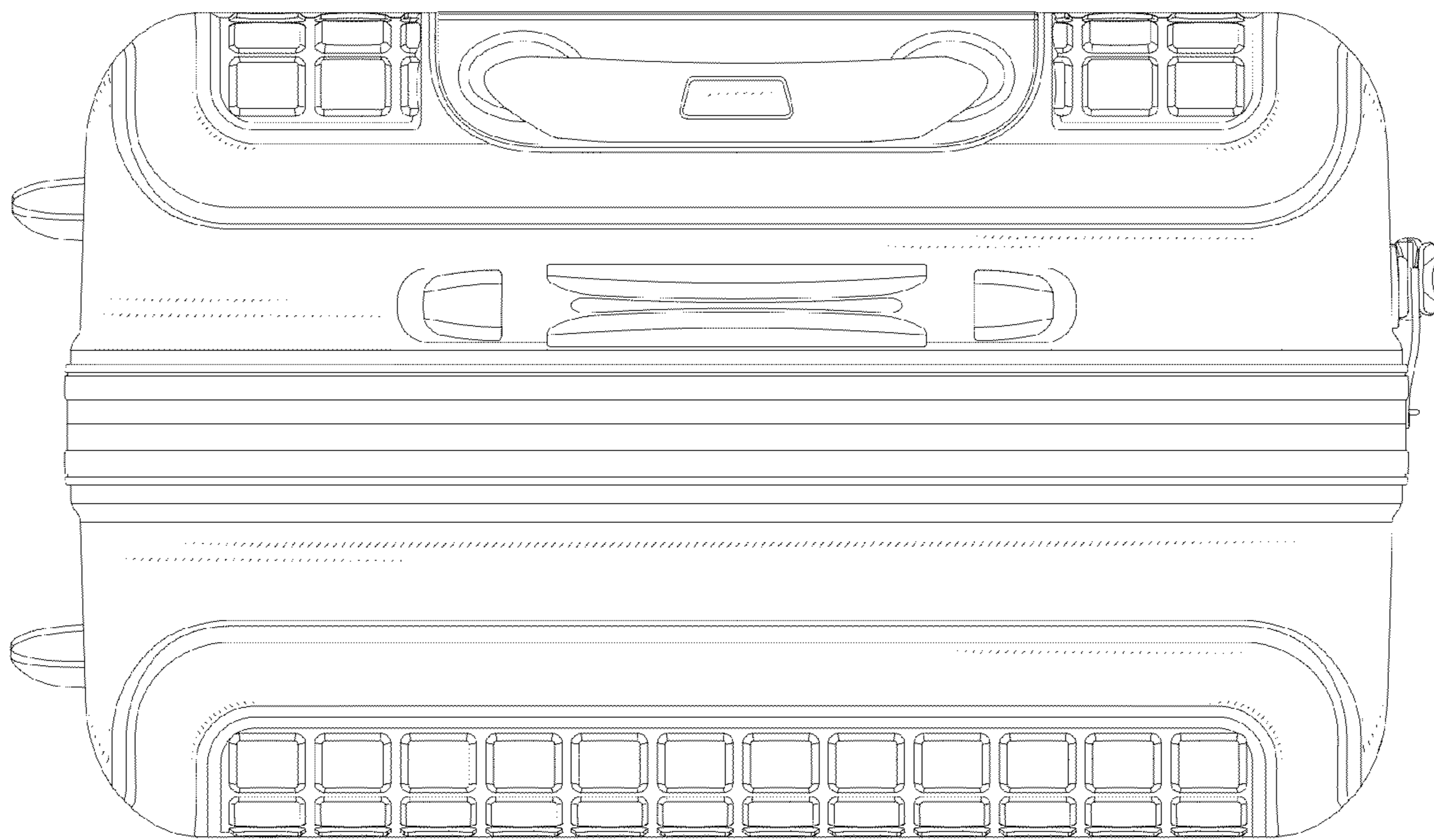


Fig. 6

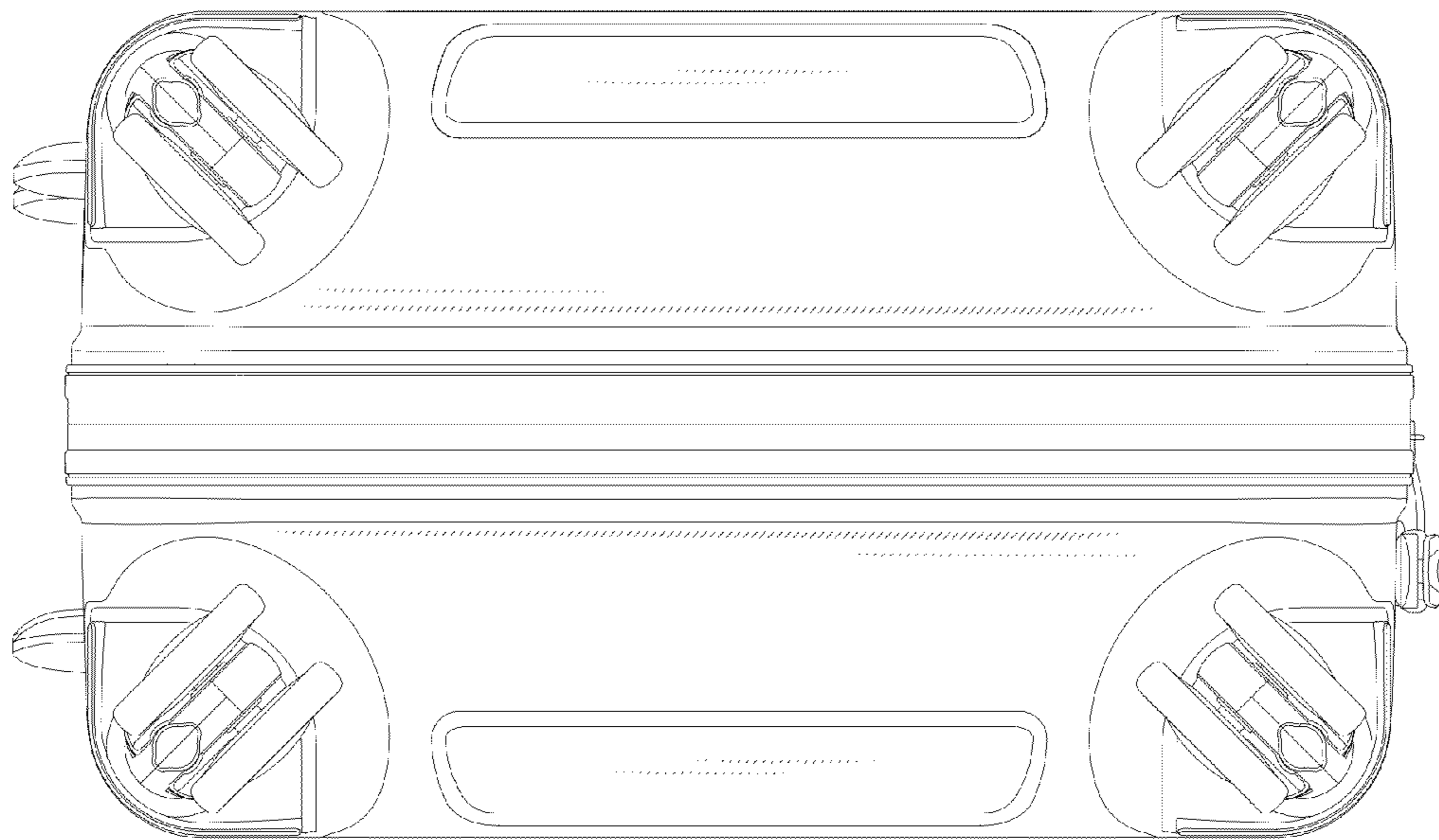


Fig. 7