



US00D710099S

(12) **United States Design Patent**  
**Horovitz et al.**

(10) **Patent No.:** **US D710,099 S**

(45) **Date of Patent:** **\*\* Aug. 5, 2014**

(54) **TOOL BOX**

(71) Applicant: **The Stanley Works Israel Ltd.**, Rosh Ha' Ayin (IL)

(72) Inventors: **Nadin Daniel Horovitz**, Rehovot (IL); **Zvika Fraiman**, Havatzelet Hasharon (IL); **Gil Vilkomirski**, Ein Vered (IL)

(73) Assignee: **The Stanley Works Israel, Ltd.**, Rosh Ha ' Ayin (IL)

(\*\*) Term: **14 Years**

(21) Appl. No.: **29/444,970**

(22) Filed: **Feb. 6, 2013**

(30) **Foreign Application Priority Data**

Aug. 7, 2012 (EM) ..... 001338446

(51) **LOC (10) Cl.** ..... **03-01**

(52) **U.S. Cl.**  
USPC ..... **D3/279; D3/281; D3/905**

(58) **Field of Classification Search**  
CPC . B25H 3/02-3/028; B25H 3/00; B25H 3/003; B25H 3/006  
USPC ..... D3/273, 276, 279-284, 288, 291, 292, D3/293, 294, 295, 297, 905; 206/372-379; 220/4.01

See application file for complete search history.

(56) **References Cited**

U.S. PATENT DOCUMENTS

7,854,321	B2 *	12/2010	Twig et al. ....	206/373
D668,048	S *	10/2012	Vilkomirski et al. ....	D3/281
D668,869	S *	10/2012	Yamamoto et al. ....	D3/281
D693,121	S *	11/2013	Bensman et al. ....	D3/279
D694,522	S *	12/2013	Horovitz .....	D3/281
2003/0106821	A1 *	6/2003	Bar-Erez .....	206/373
2012/0292213	A1 *	11/2012	Brunner .....	206/349
2012/0326406	A1 *	12/2012	Lifshitz et al. ....	280/47.19
2013/0007979	A1 *	1/2013	Wolfe et al. ....	15/323
2014/0001719	A1 *	1/2014	Bar-Erez et al. ....	280/47.18

\* cited by examiner

*Primary Examiner* — Jennifer Rivard

(74) *Attorney, Agent, or Firm* — Gabriel Haboubi

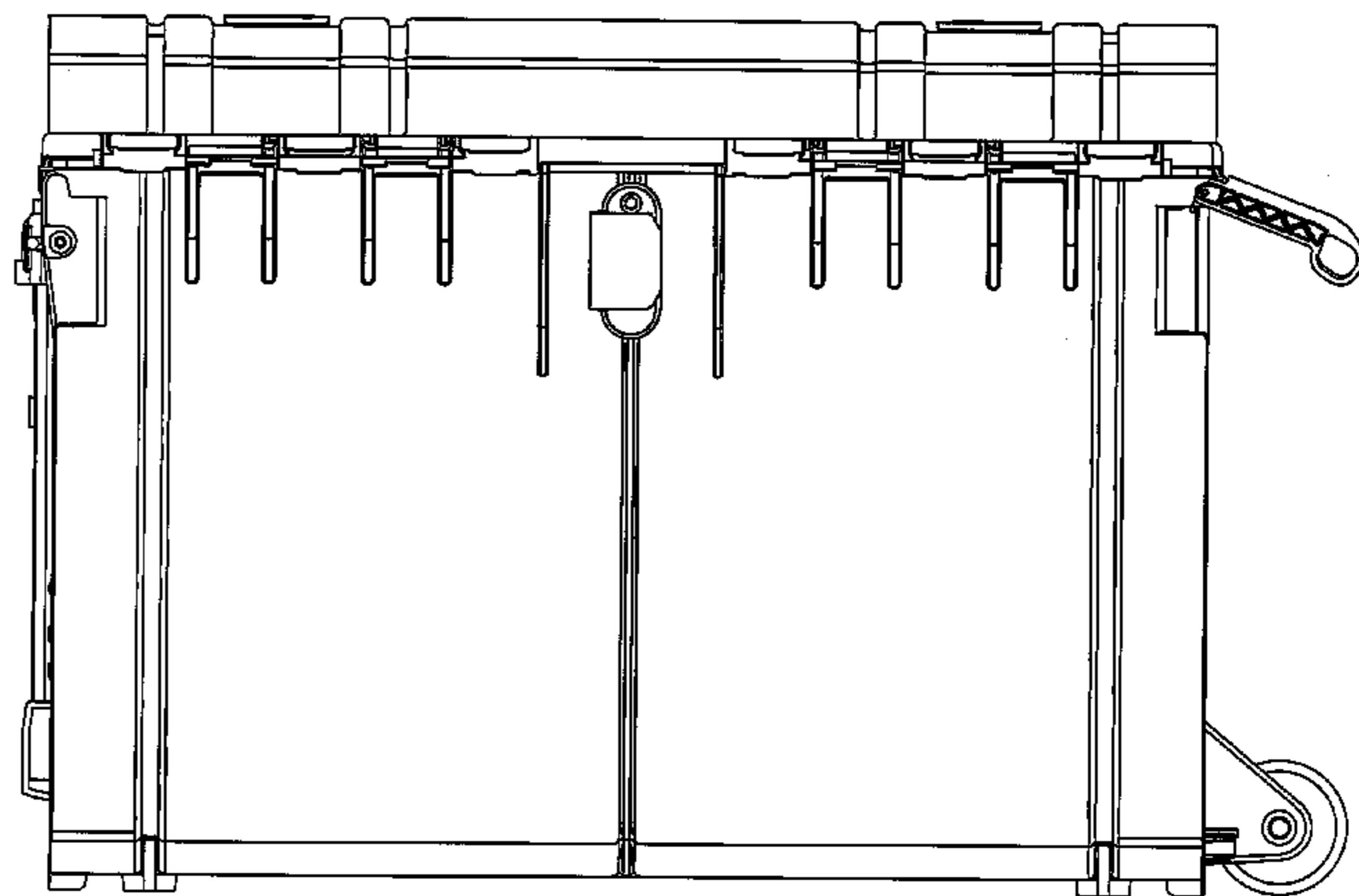
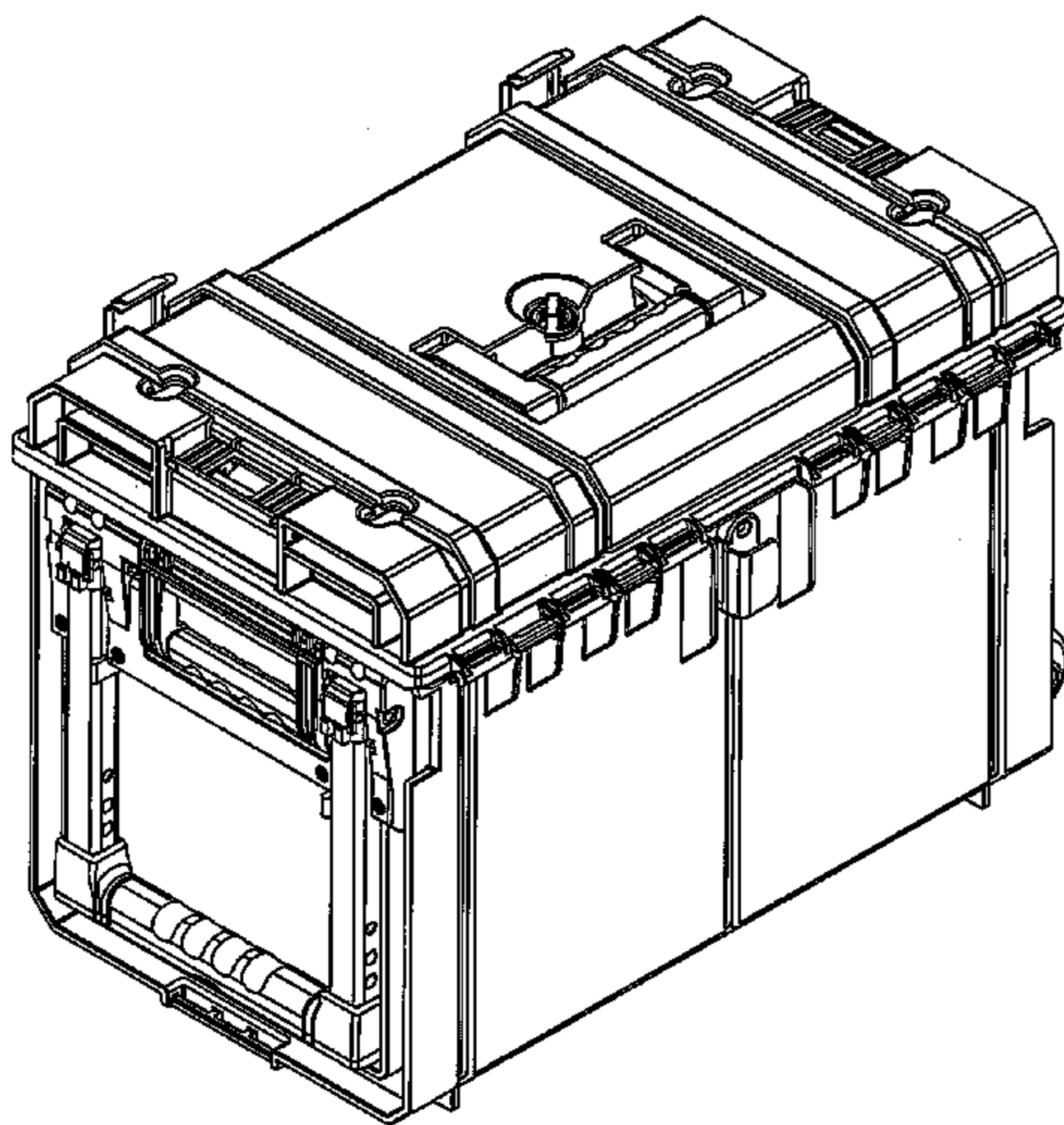
(57) **CLAIM**

The ornamental design for a tool box, as shown and described.

**DESCRIPTION**

FIG. 1 is a right rear perspective view of our new design.  
FIG. 2 is a right side view thereof.  
FIG. 3 is a left side view thereof.  
FIG. 4 is a front view thereof.  
FIG. 5 is a rear view thereof.  
FIG. 6 is a top view thereof; and,  
FIG. 7 is a bottom view thereof.

**1 Claim, 7 Drawing Sheets**



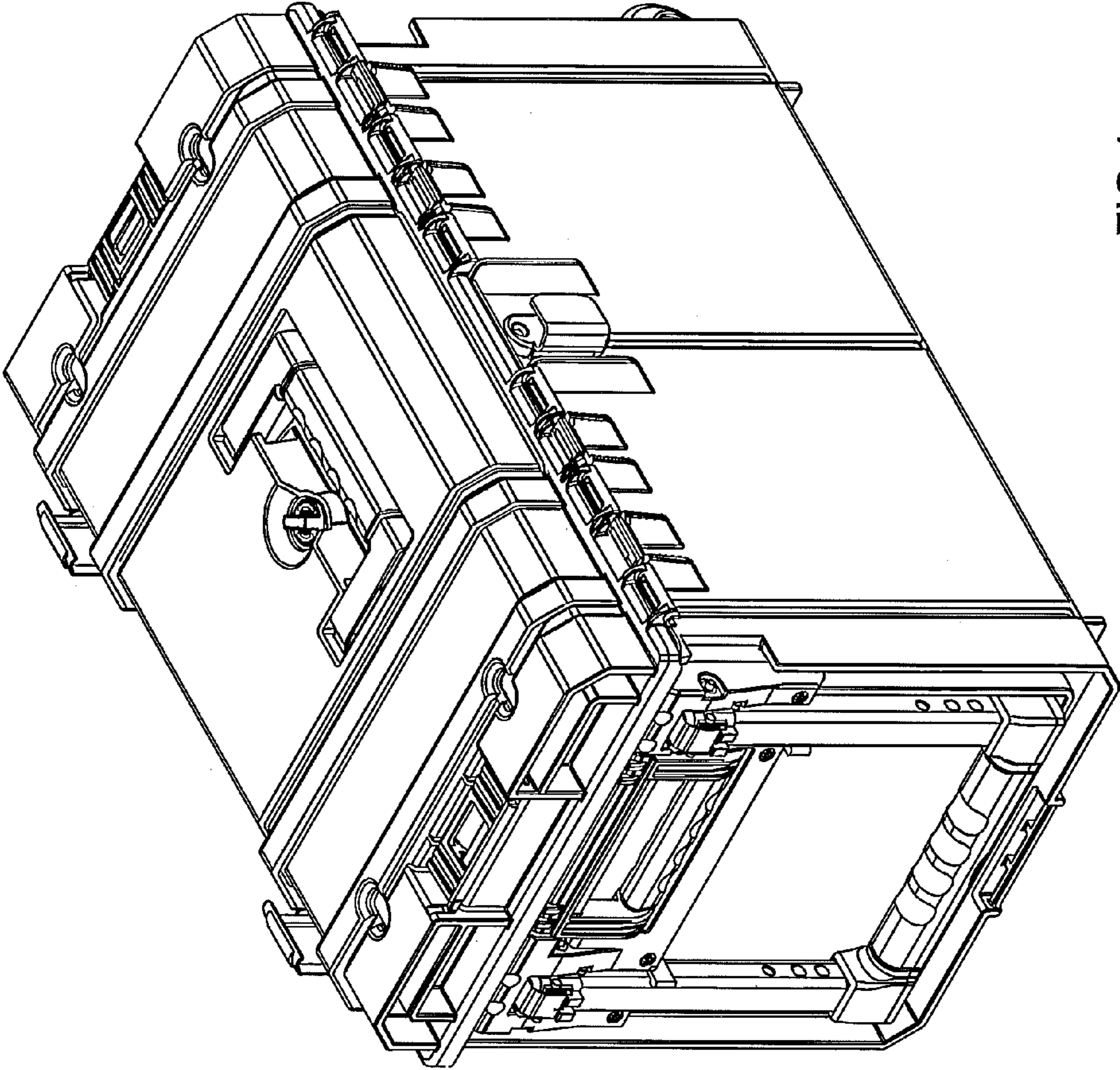


FIG.1

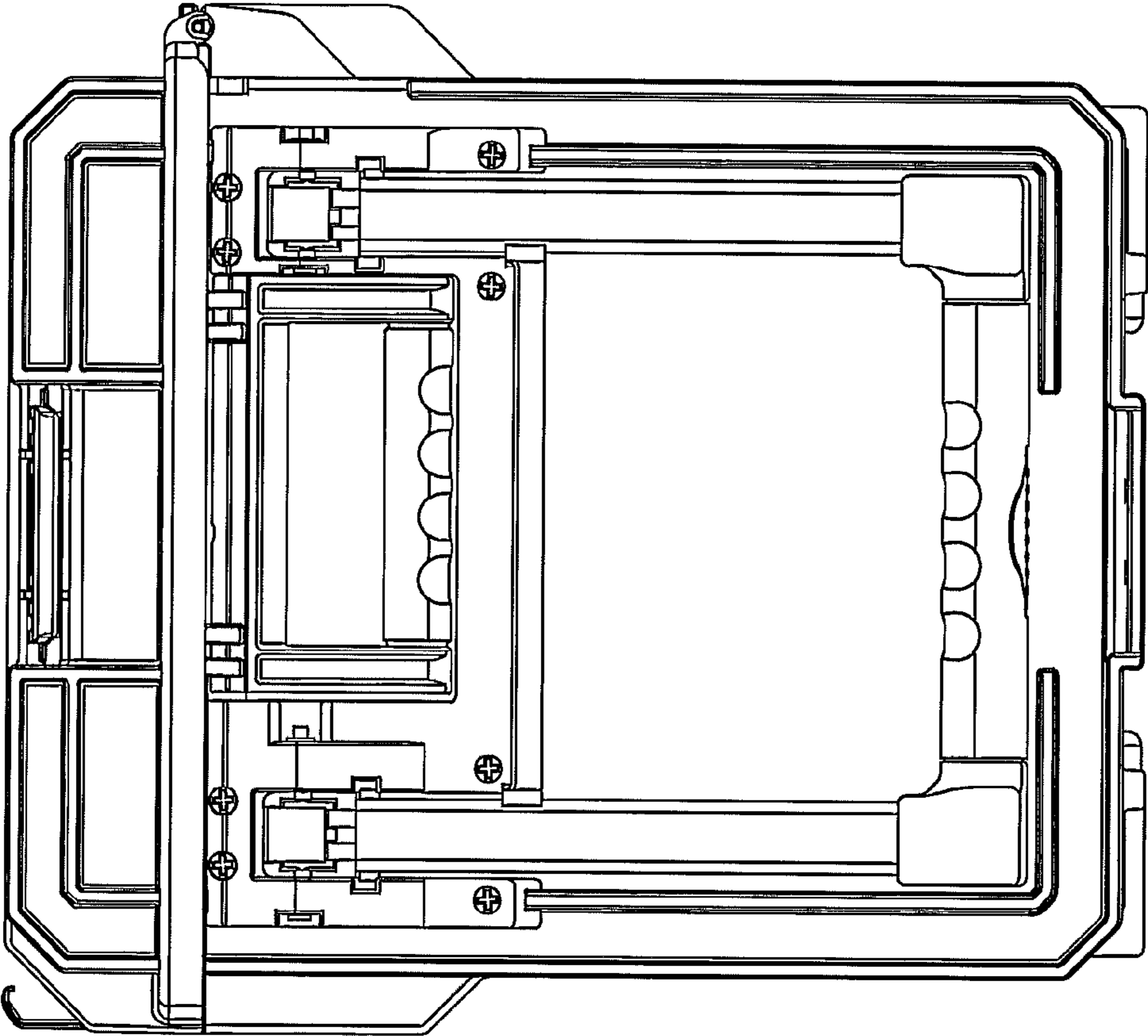


FIG.2

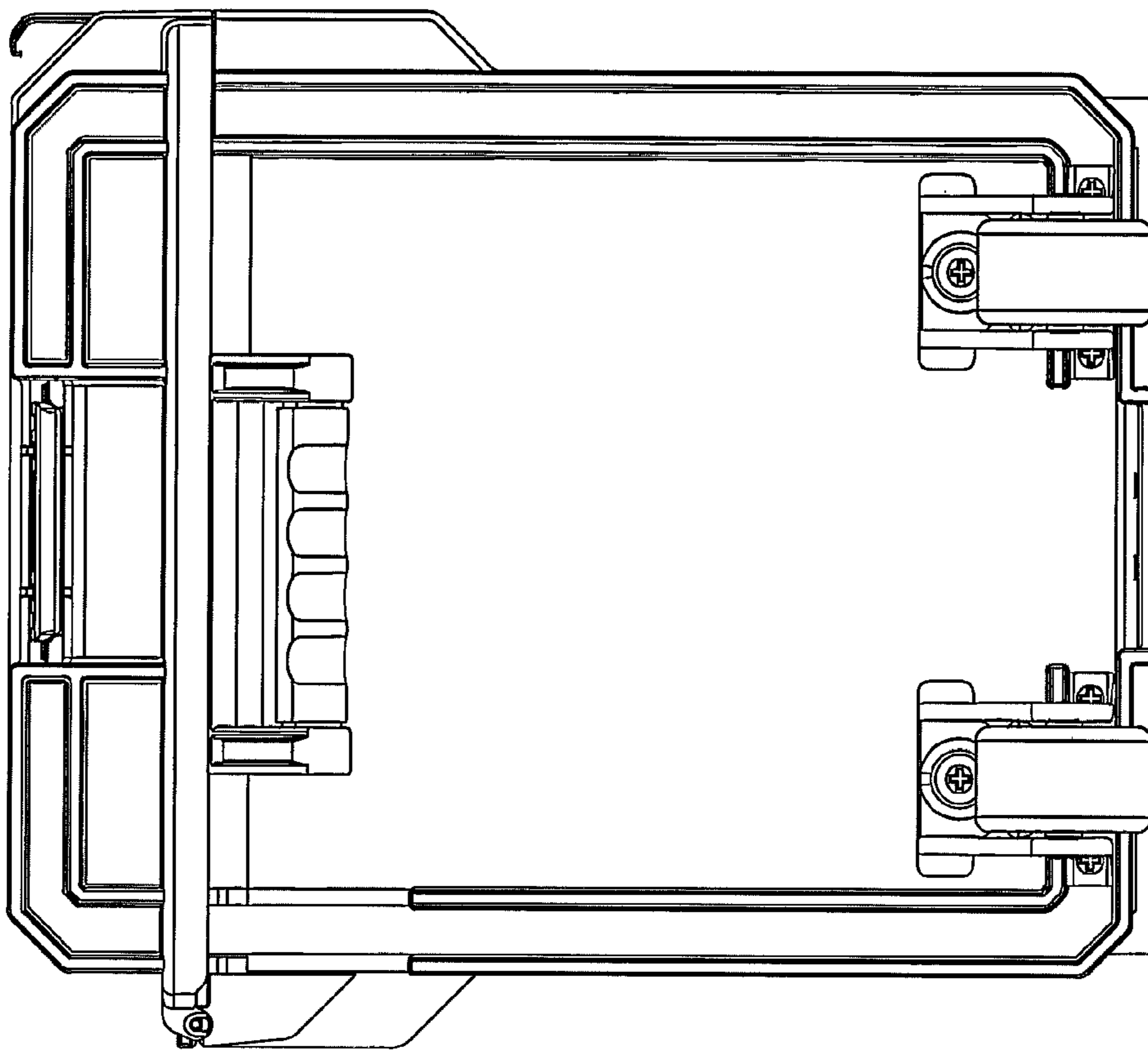


FIG.3

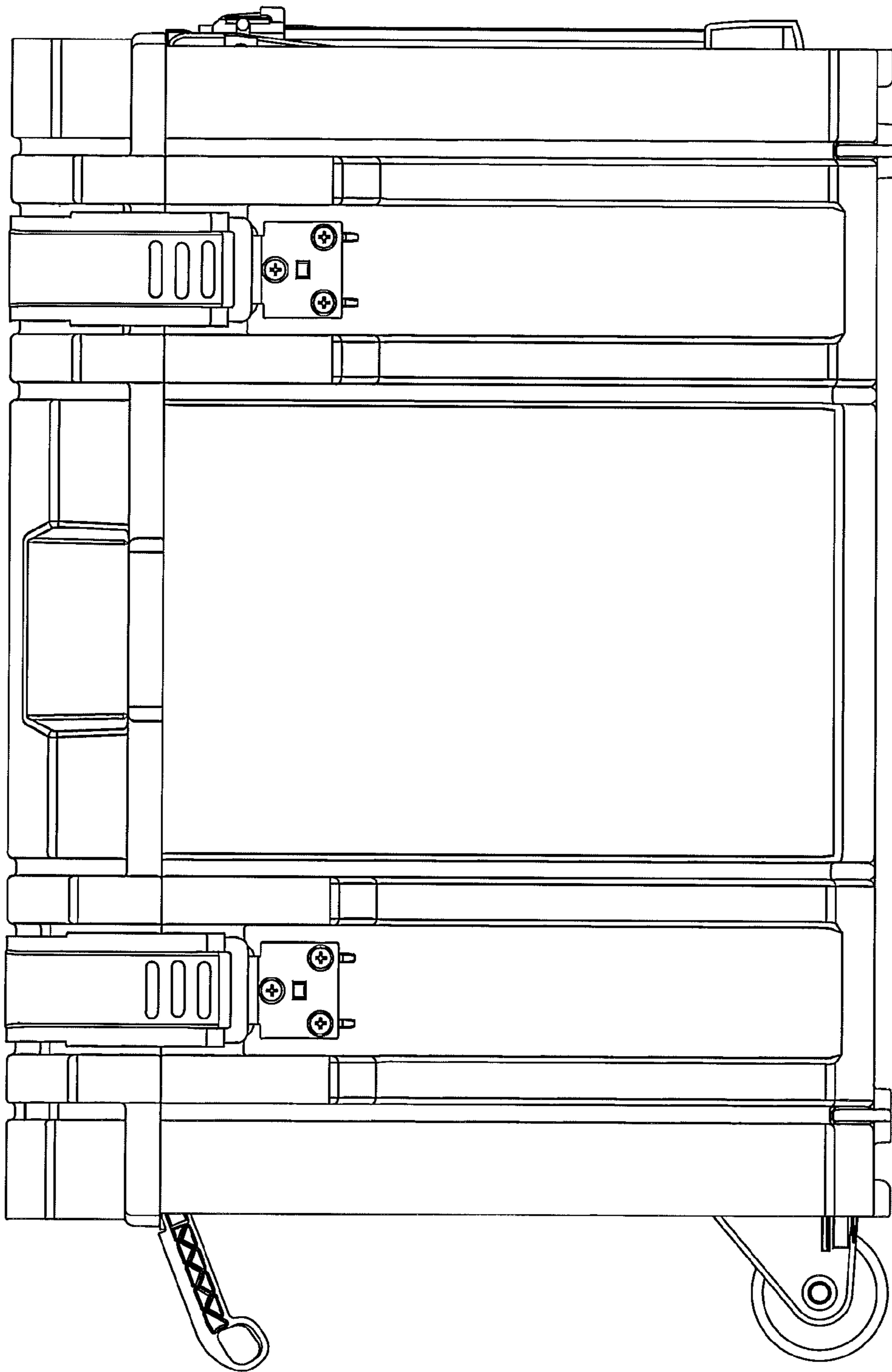


FIG.4

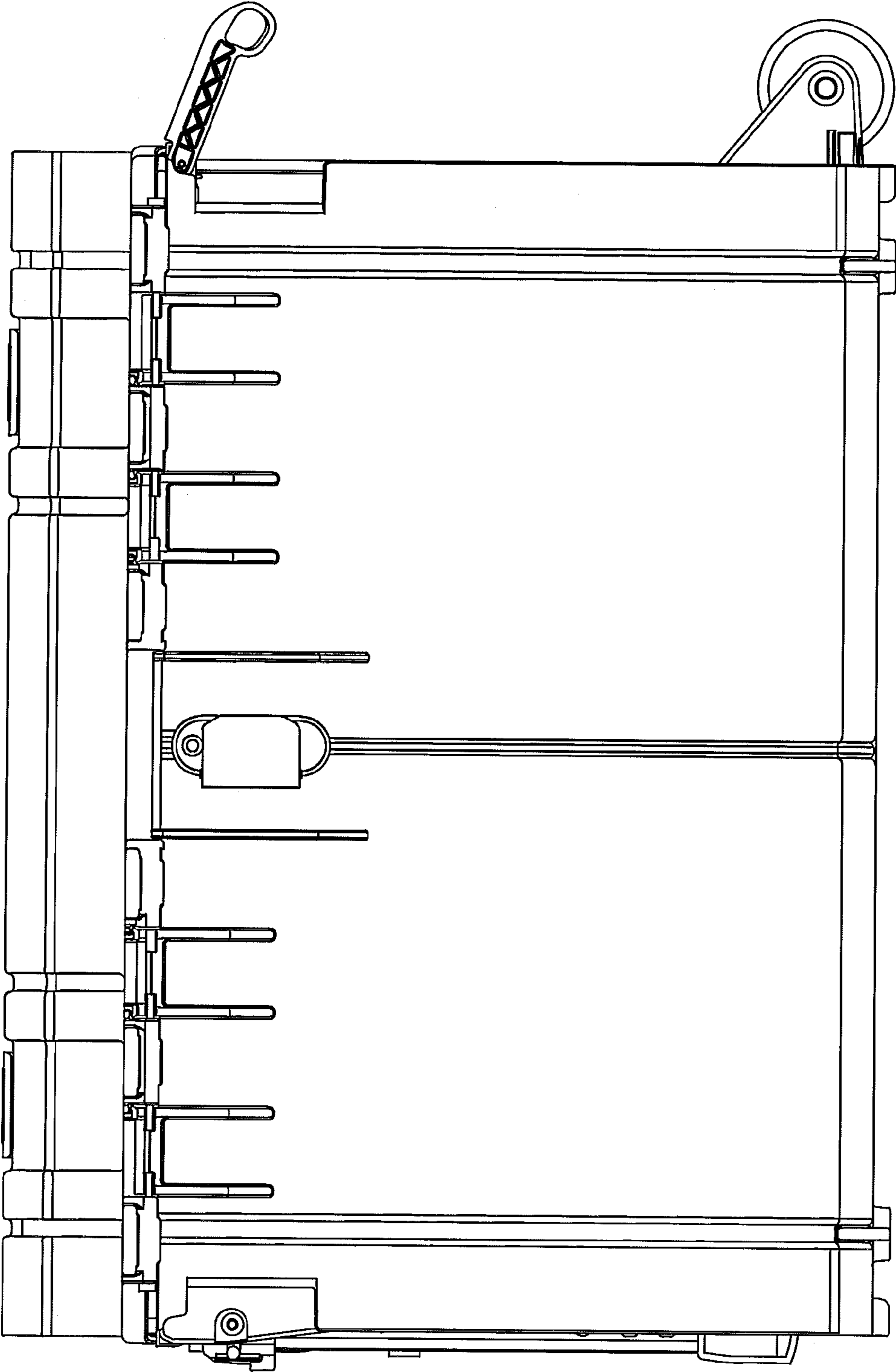


FIG.5

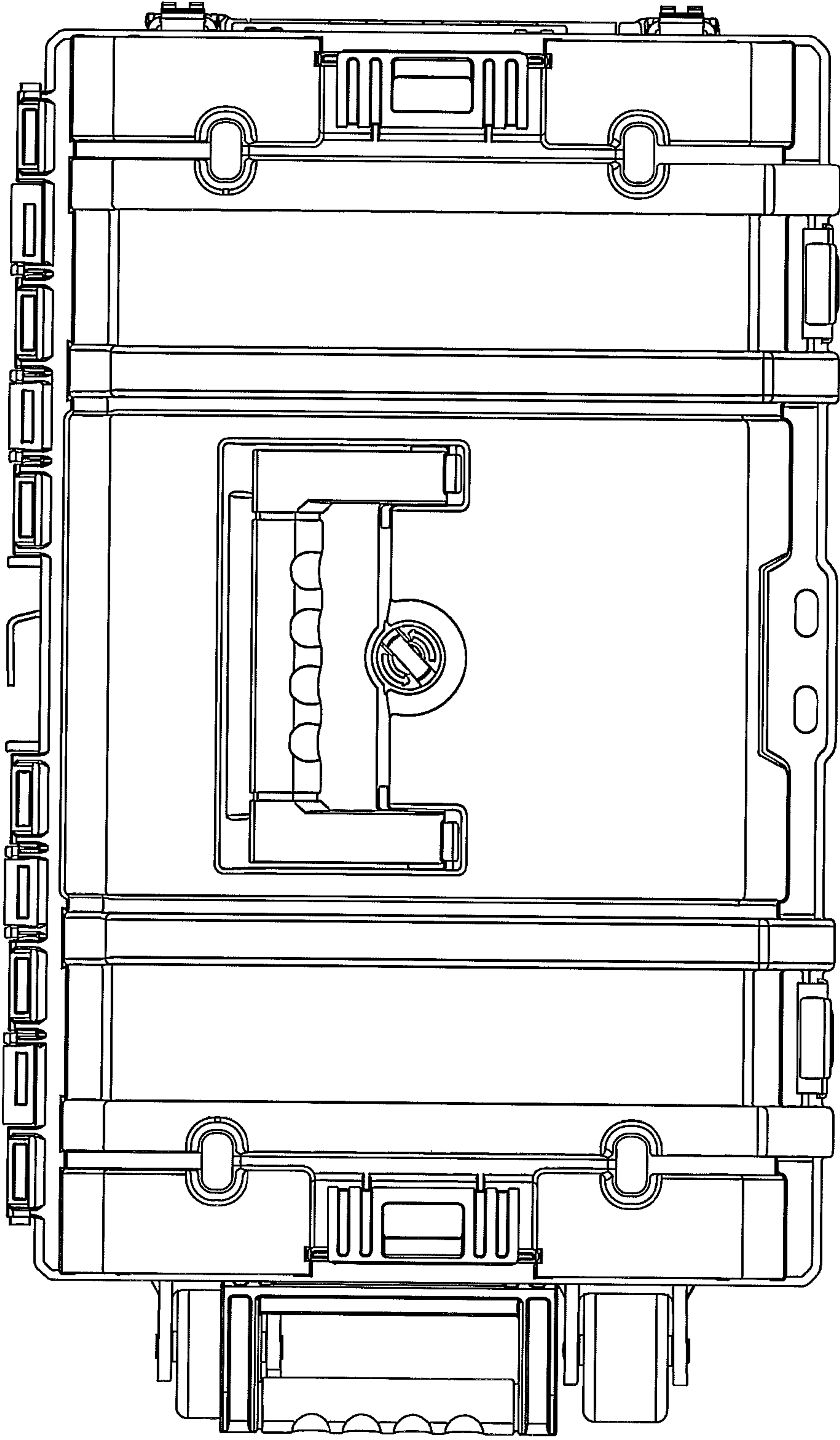


FIG.6

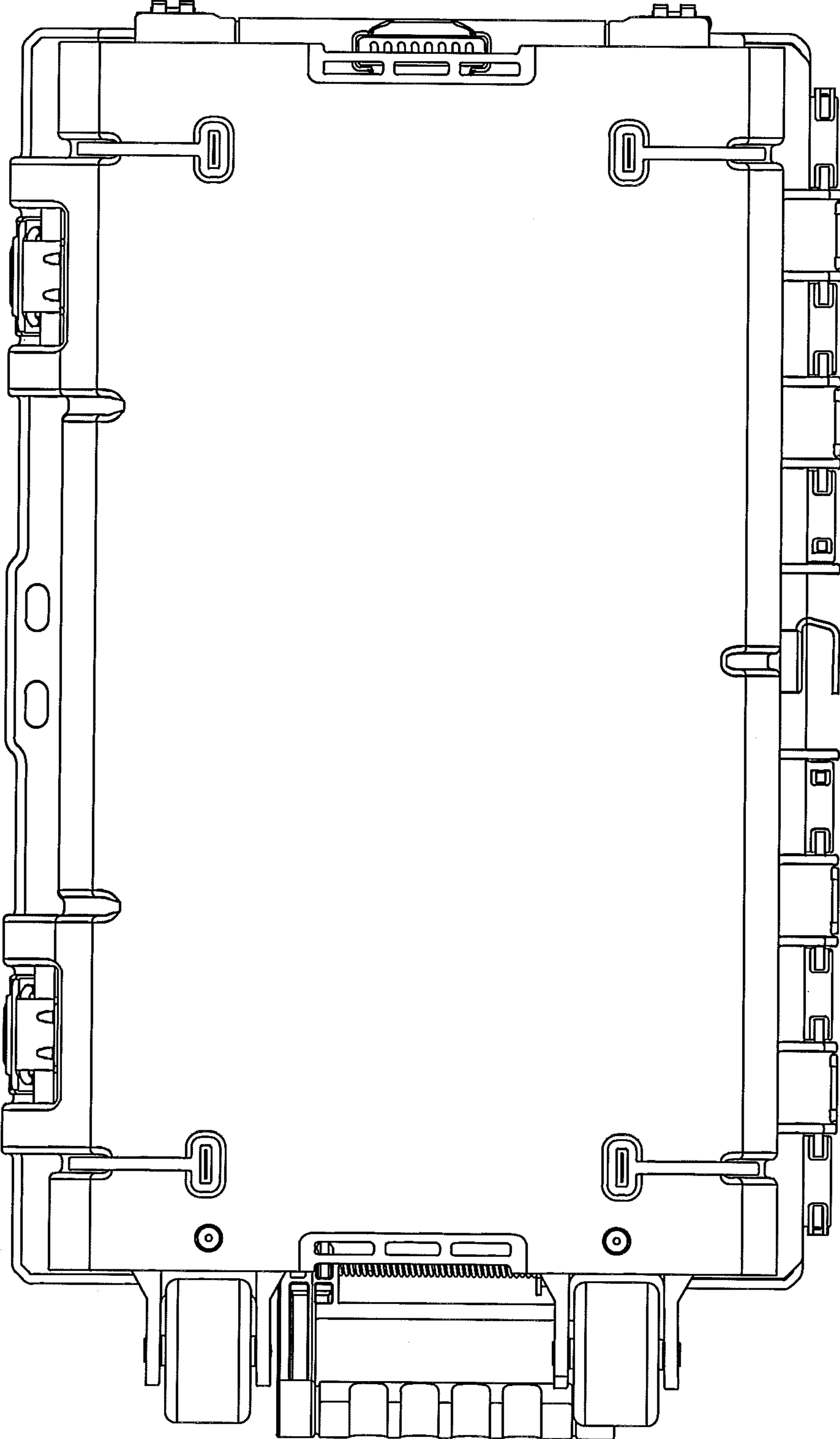


FIG.7