



US00D710097S

(12) **United States Design Patent**
Forbus et al.

(10) **Patent No.:** **US D710,097 S**

(45) **Date of Patent:** **** Aug. 5, 2014**

(54) **EYEGLASS HOLDER**

(75) Inventors: **Donna Karen Forbus**, Auburn, AL
(US); **Lou Iona Bledsoe**, Auburn, AL
(US); **Randy Keith Forbus**, Cummings,
GA (US)

(73) Assignee: **D'Loup LLC**, Auburn, AL (US)

(**) Term: **14 Years**

(21) Appl. No.: **29/413,191**

(22) Filed: **Feb. 13, 2012**

(51) **LOC (10) Cl.** **03-06**

(52) **U.S. Cl.**
USPC **D3/266**

(58) **Field of Classification Search**
USPC D3/207, 211, 263, 265, 266, 219;
D8/33, 38; D11/223, 7; 248/902;
224/908, 3.1; 206/5, 6, 5.1
See application file for complete search history.

(56) **References Cited**

U.S. PATENT DOCUMENTS

4,894,887	A *	1/1990	Ward, II	24/3.3
5,860,191	A *	1/1999	Sieger	24/3.3
5,941,487	A *	8/1999	Keely	248/231.51
6,076,925	A *	6/2000	Kraut	351/112
6,533,414	B2 *	3/2003	Newler	351/158
D585,645	S *	2/2009	Mchatet	D3/266

D591,044	S *	4/2009	Lakhiani	D3/249
7,553,018	B1 *	6/2009	Riazi	351/158
D604,944	S *	12/2009	Chiu	D3/211
D614,345	S *	4/2010	Bertken	D26/138
7,850,302	B1 *	12/2010	Riazi	351/158
D650,827	S *	12/2011	Northington	D16/339
2003/0229971	A1 *	12/2003	Coyne	24/3.3
2008/0010782	A1 *	1/2008	Sturdy	24/3.3

* cited by examiner

Primary Examiner — Thomas Johannes

Assistant Examiner — Holly E Thurman

(74) *Attorney, Agent, or Firm* — Salter & Michaelson

(57) **CLAIM**

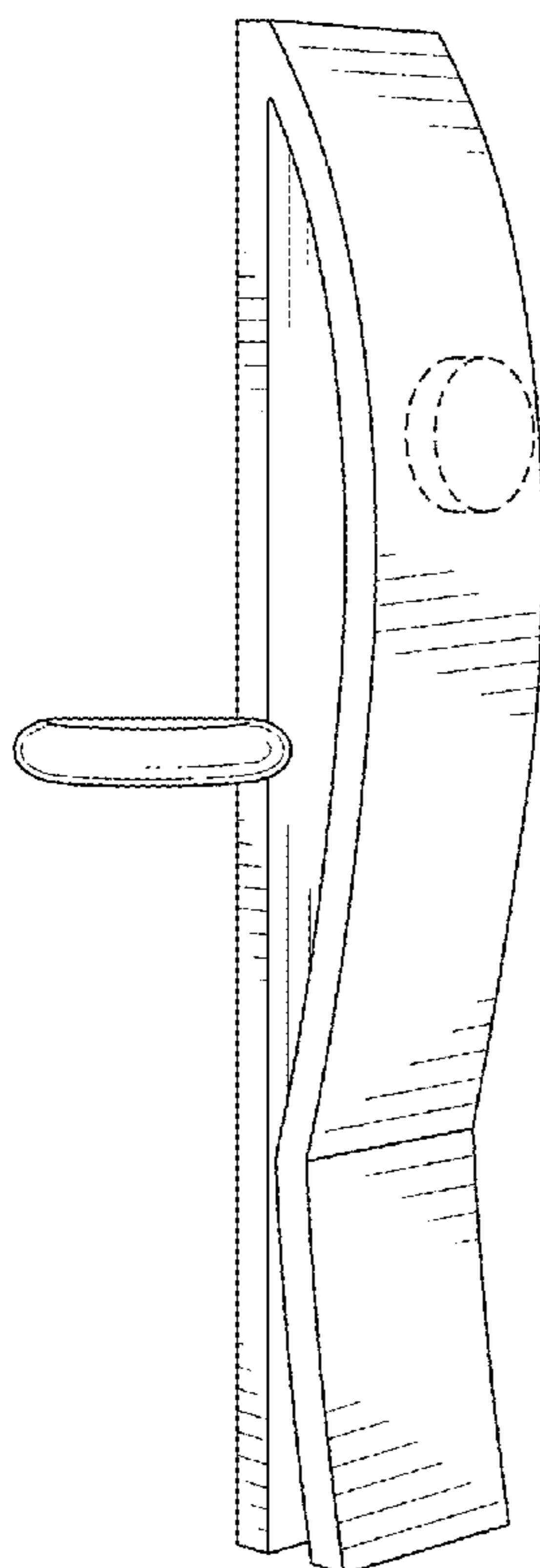
The ornamental design for an eyeglass holder, as shown and described.

DESCRIPTION

FIG. 1 is a perspective view of an eyeglass holder;
FIG. 2 is a front elevational view thereof;
FIG. 3 is a rear elevational view thereof;
FIG. 4 is a left side elevational view thereof;
FIG. 5 is a right side elevational view thereof;
FIG. 6 is a top plan view thereof; and,
FIG. 7 is a bottom plan view thereof.

The portions shown in broken lines depict unclaimed subject matter and form no part of the claimed design.

1 Claim, 4 Drawing Sheets



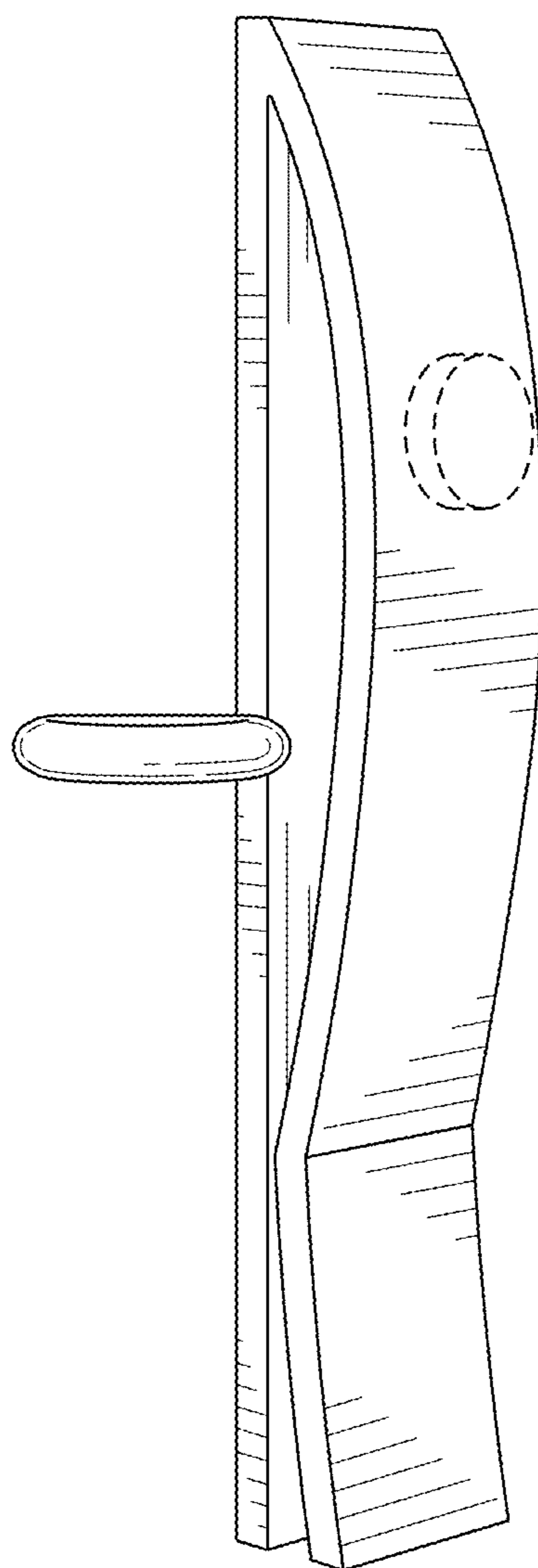


FIG. 1

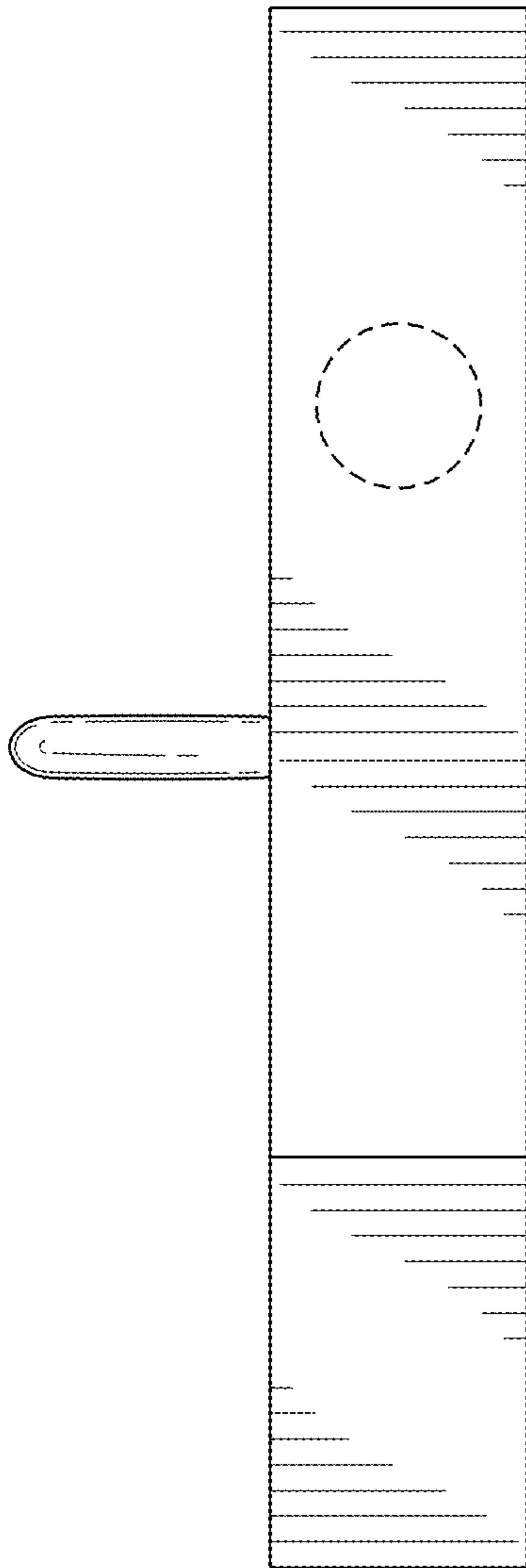


FIG. 2

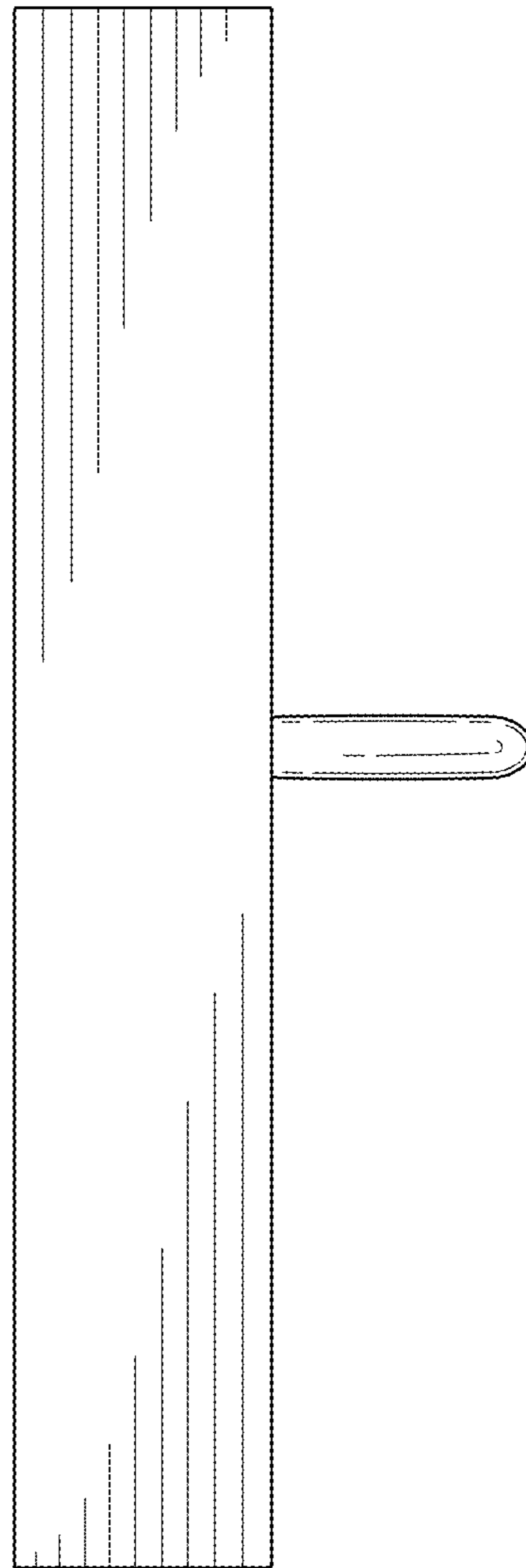


FIG. 3

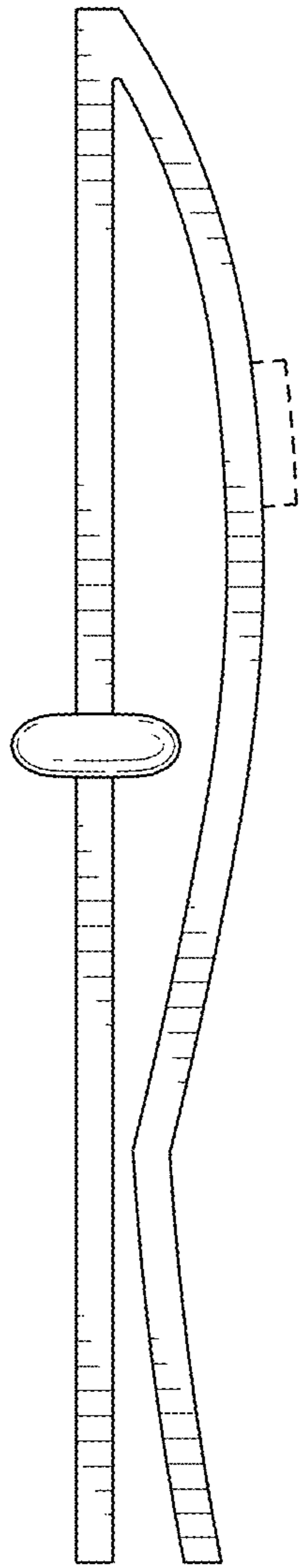


FIG. 4

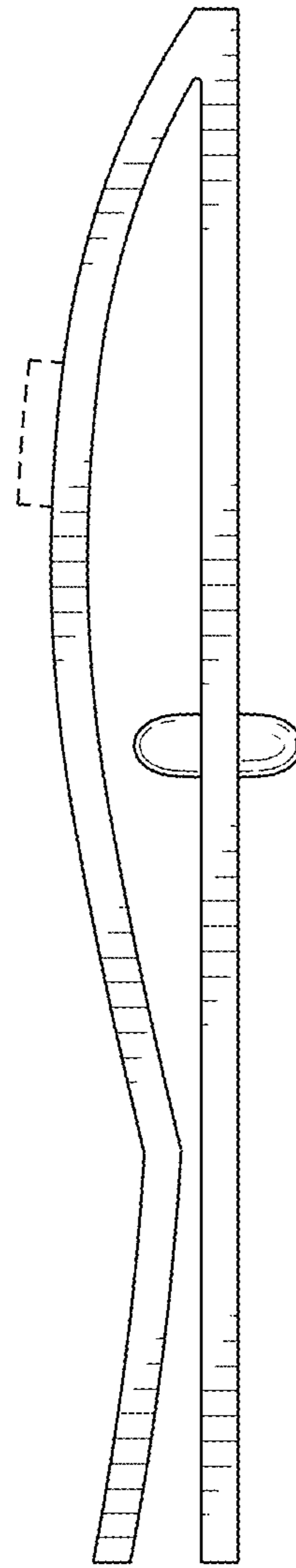


FIG. 5

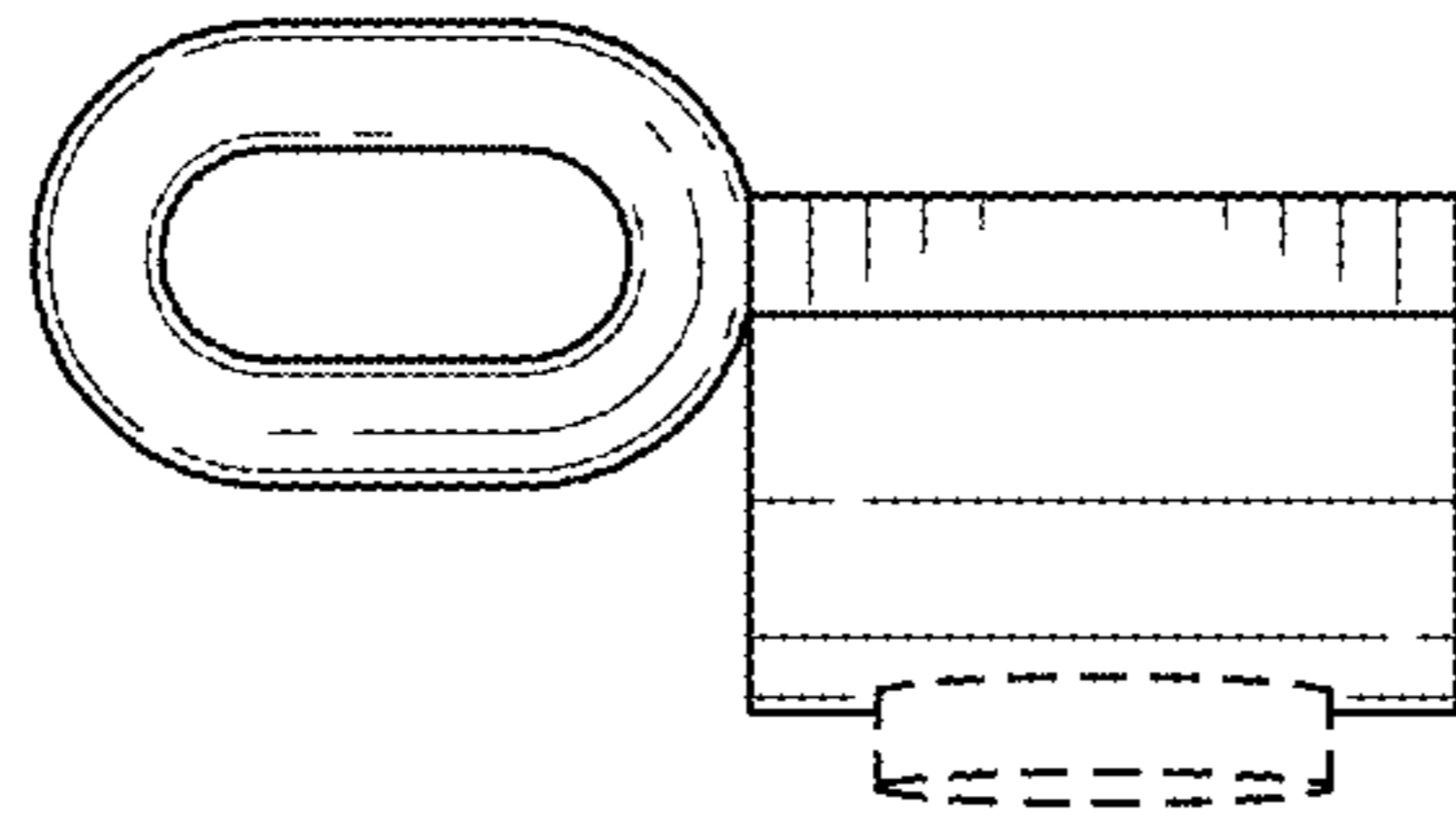


FIG. 6

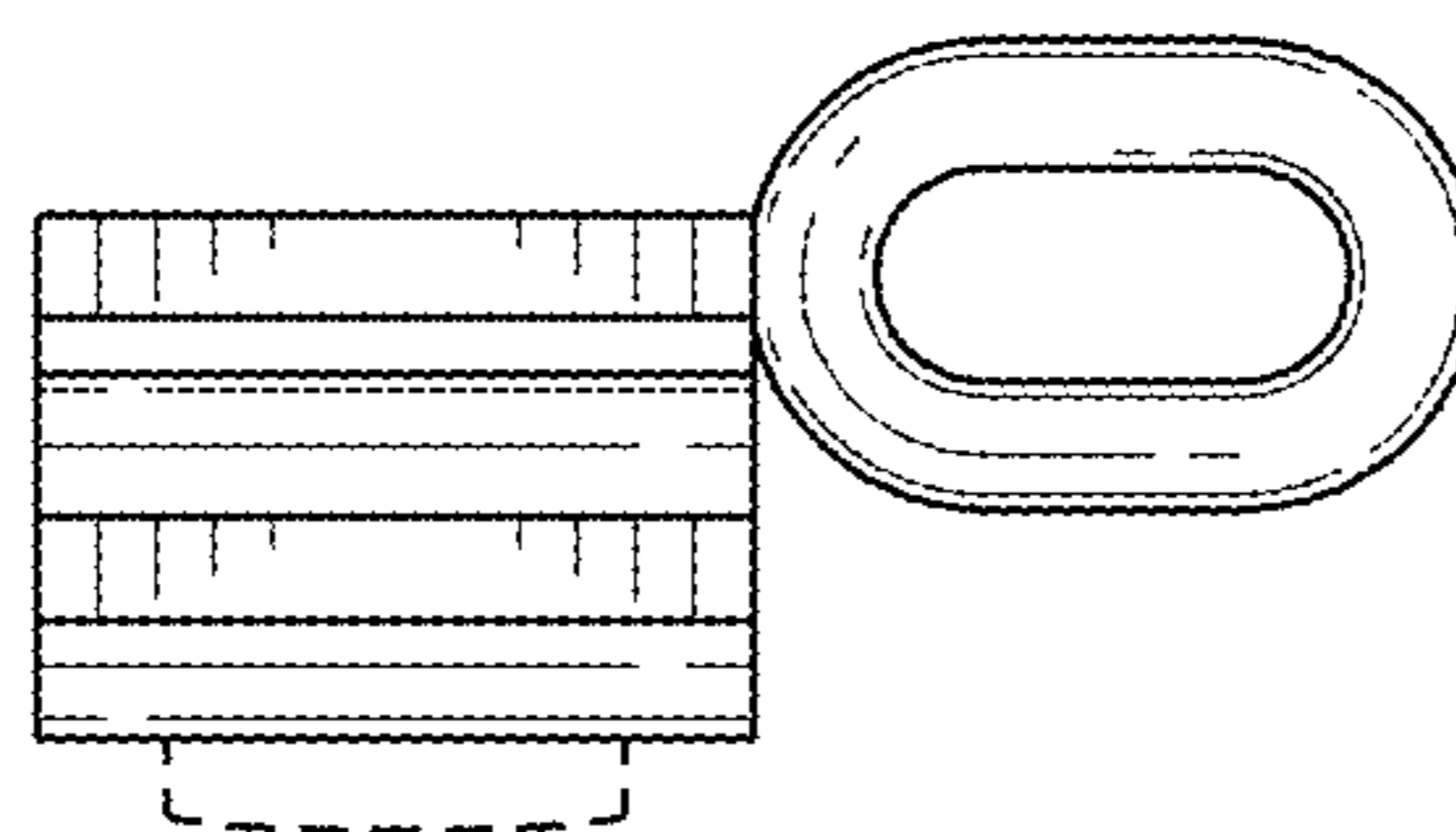


FIG. 7