



US00D710091S

(12) **United States Design Patent**  
**Heden et al.**

(10) **Patent No.:** **US D710,091 S**

(45) **Date of Patent:** **\*\* Aug. 5, 2014**

(54) **SADDLE BAG FOR A BICYCLE**

(56) **References Cited**

(71) Applicant: **Thule IP AB**, Malmö (SE)

U.S. PATENT DOCUMENTS

(72) Inventors: **Emelie Heden**, Stockholm (SE); **Oskar Juhlin**, Gustavsberg (SE); **Michael Noer**, Stillwater, MN (US)

4,468,933 A \* 9/1984 Christopher ..... 62/457.1  
D506,865 S \* 7/2005 Homsher et al. .... D3/254  
D590,148 S \* 4/2009 Lin ..... D3/217

(73) Assignee: **Thule IP AB**, Malmö (SE)

\* cited by examiner

(\*\*) Term: **14 Years**

*Primary Examiner* — Holly Baynham

(74) *Attorney, Agent, or Firm* — Sheridan Ross P.C.

(21) Appl. No.: **29/436,383**

(57) **CLAIM**

The ornamental design for a saddle bag for a bicycle, as shown and described.

(22) Filed: **Nov. 5, 2012**

**DESCRIPTION**

(51) **LOC (10) Cl.** ..... **03-01**

FIG. 1 is a front perspective view of the saddle bag for a bicycle according to an alternative embodiment; FIG. 2 is a top plan view of the embodiment of FIG. 1; FIG. 3 is a front elevation view of the embodiment of FIG. 1; FIG. 4 is a right elevation view of the embodiment of FIG. 1; FIG. 5 is a left elevation view of the embodiment of FIG. 1; FIG. 6 is a rear elevation view of the embodiment of FIG. 1; and, FIG. 7 is a bottom plan view of the embodiment of FIG. 1. The broken line showing of a saddle bag for a bicycle is included for the purpose of illustrating environment and forms no part of the claimed design.

(52) **U.S. Cl.**

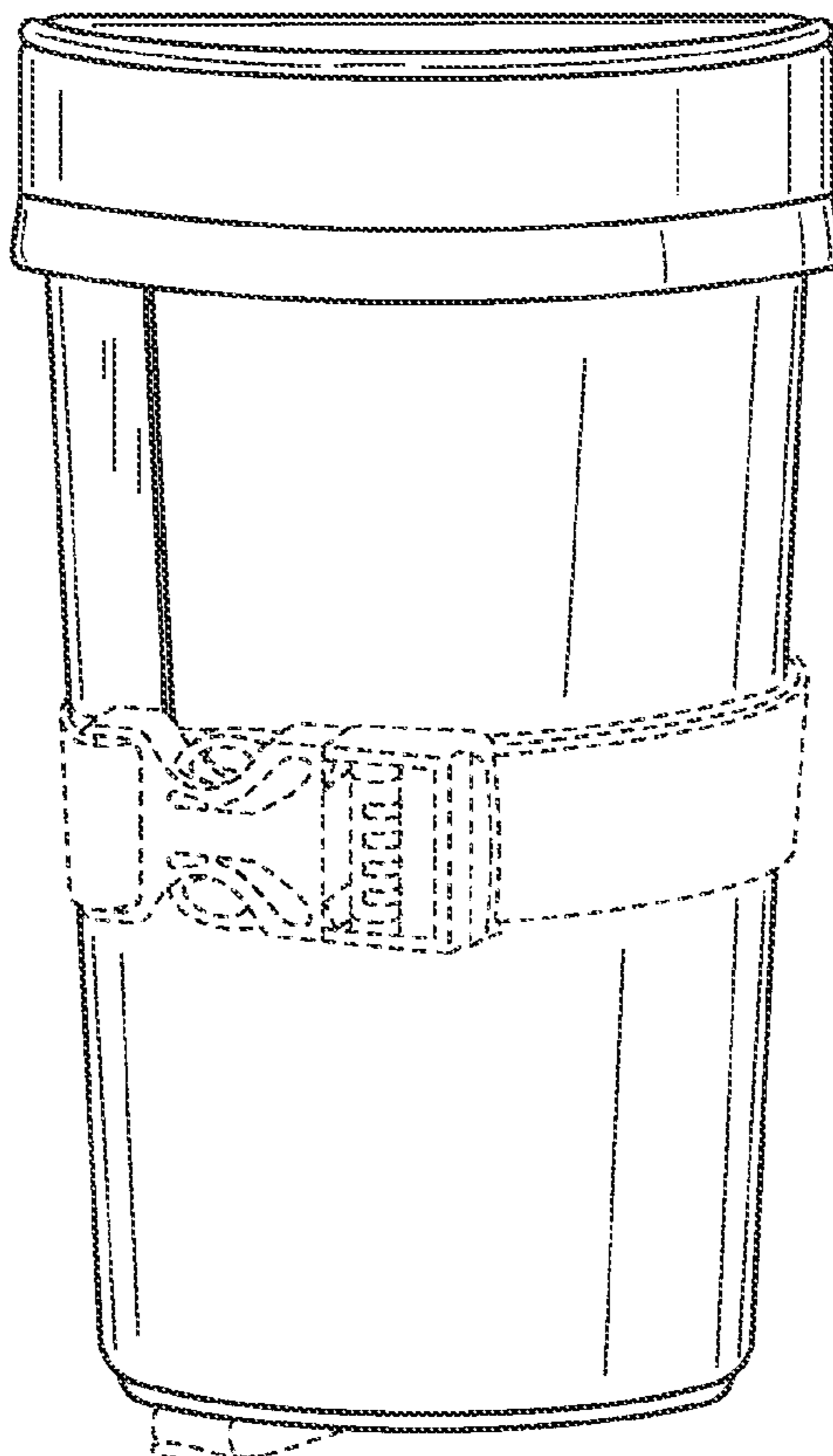
USPC ..... **D3/231**

(58) **Field of Classification Search**

USPC ..... D3/231–232, 246; 150/100, 103–110, 150/113–114, 117–119

See application file for complete search history.

**1 Claim, 3 Drawing Sheets**



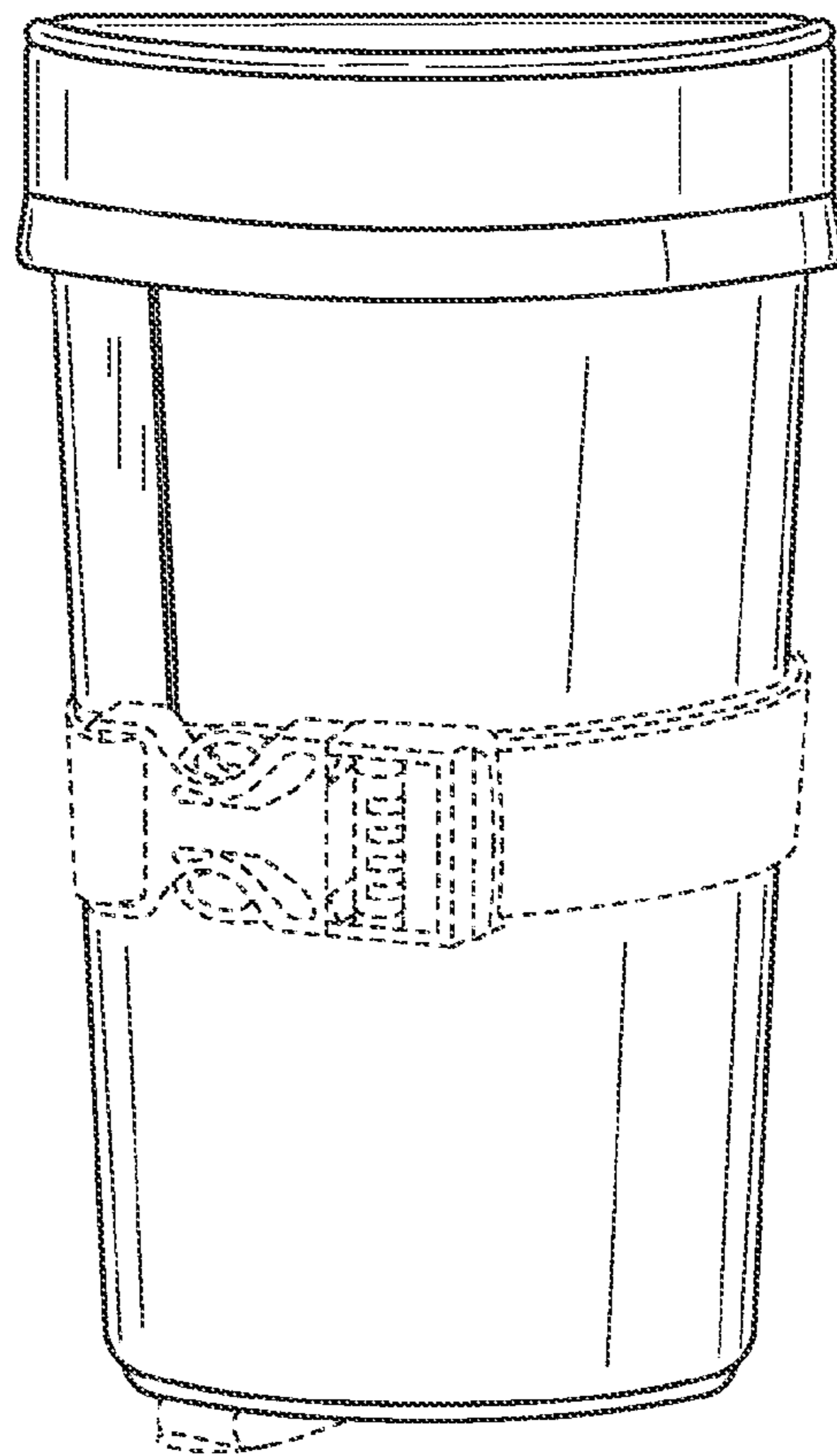


FIG.1

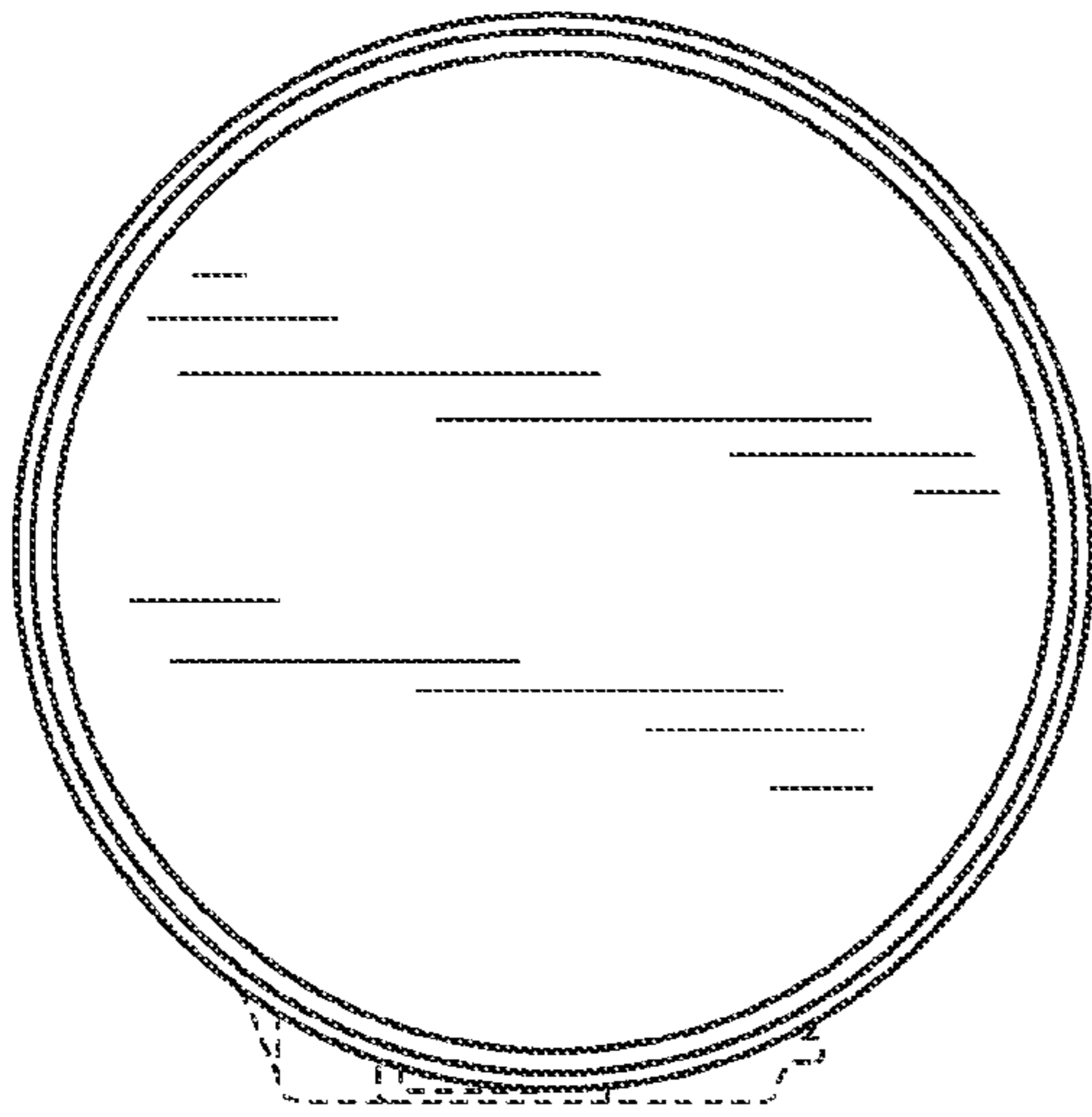


FIG. 2

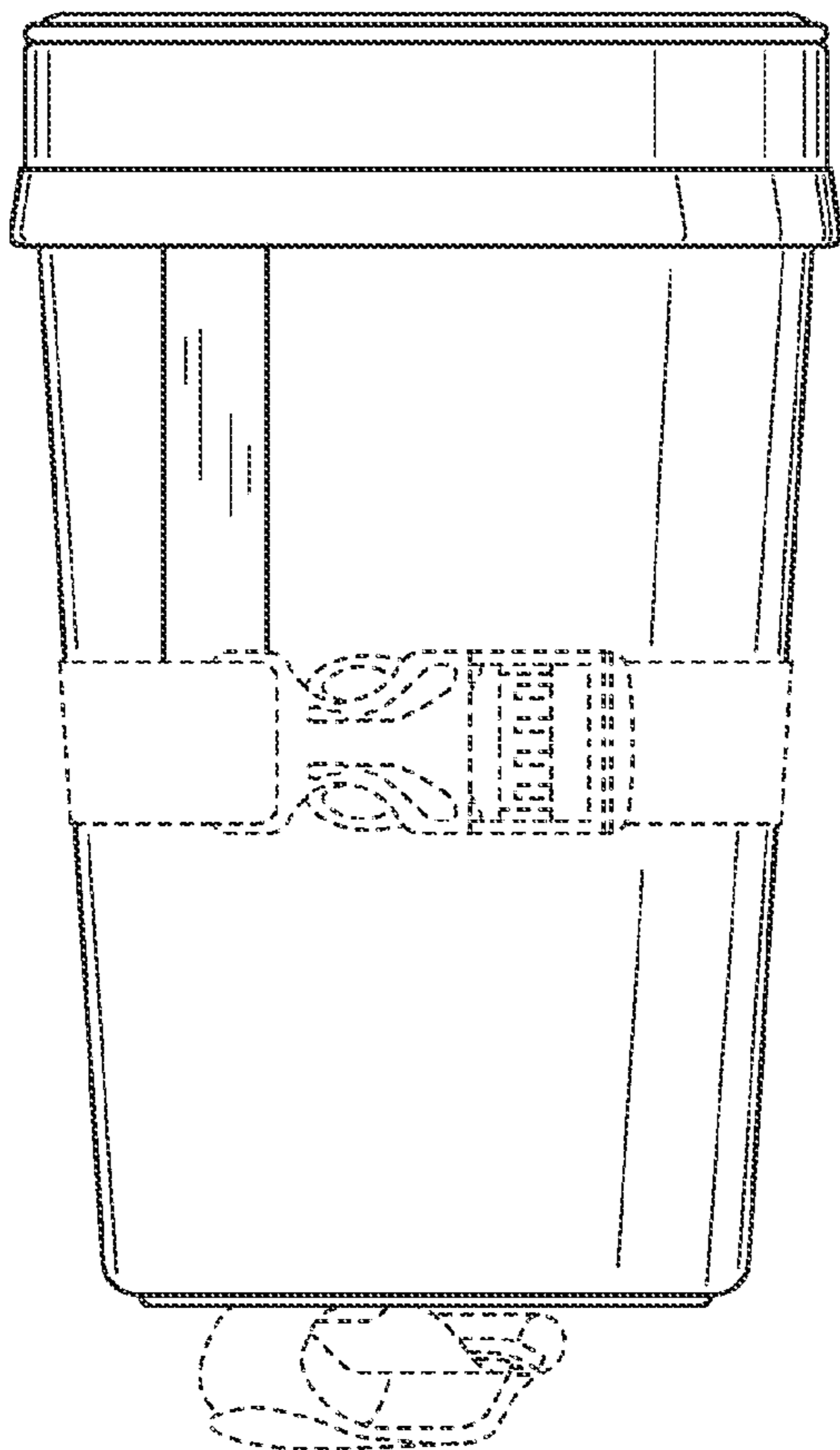


FIG. 3

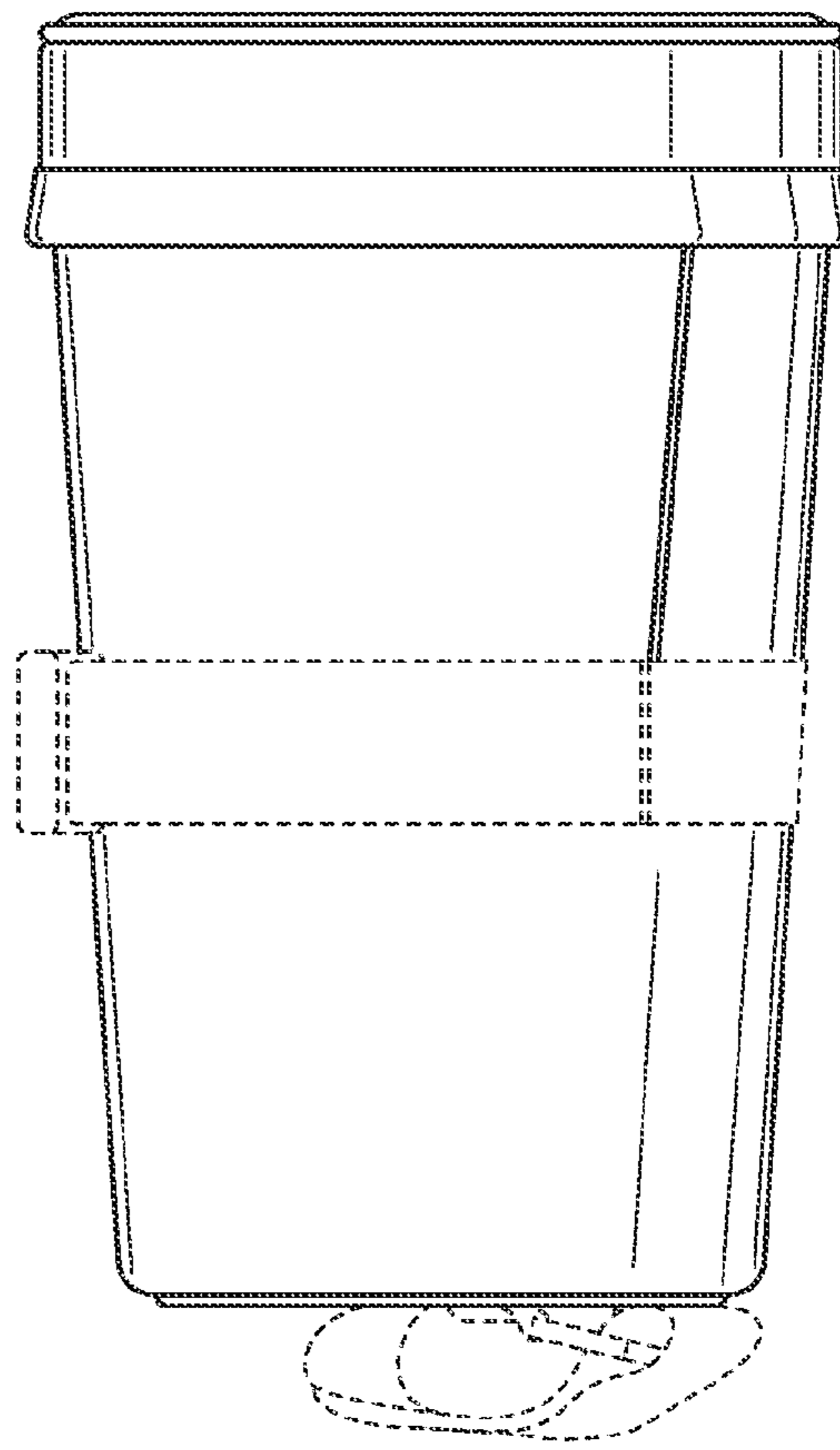


FIG. 4

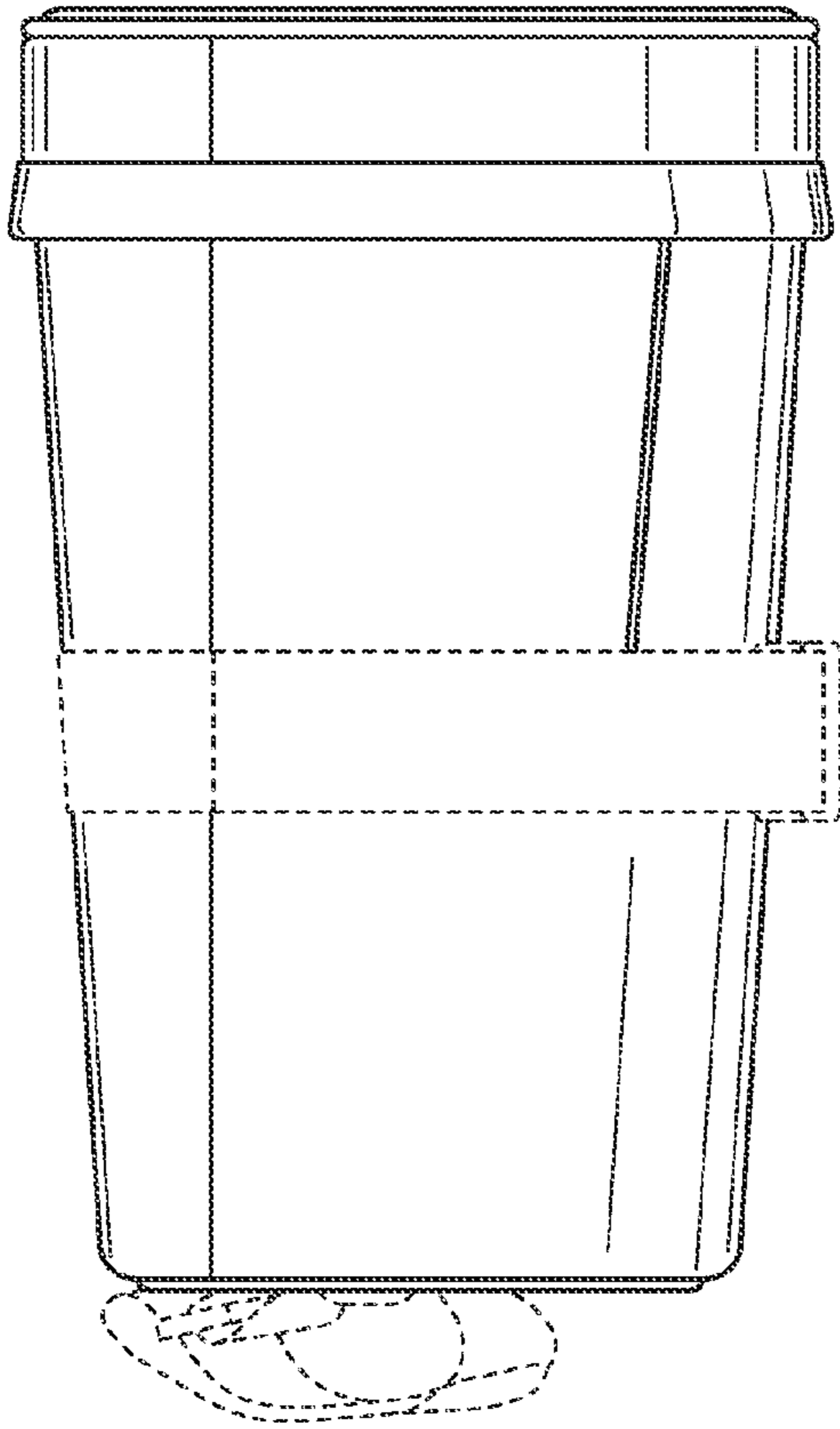


FIG. 5

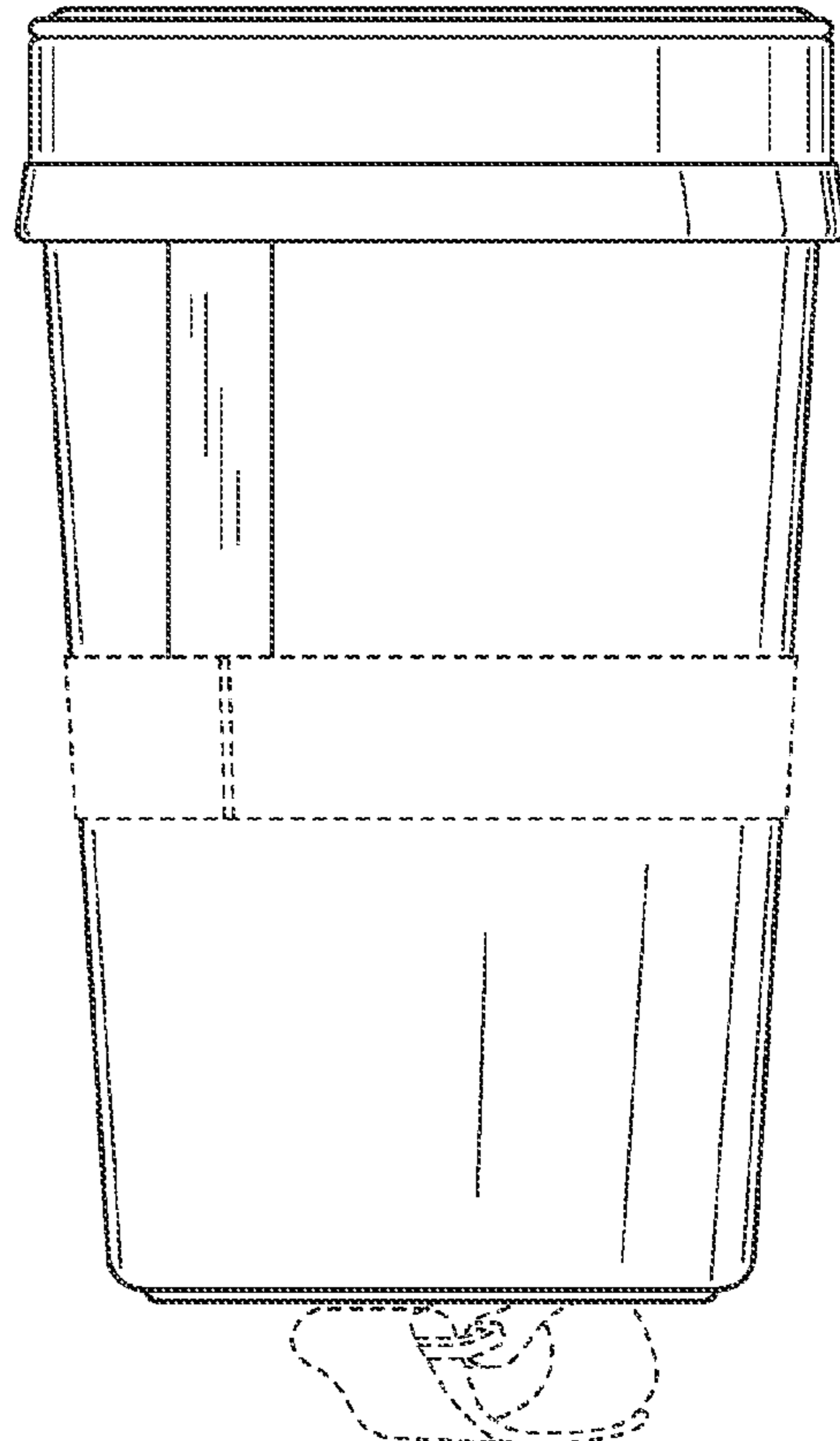


FIG. 6

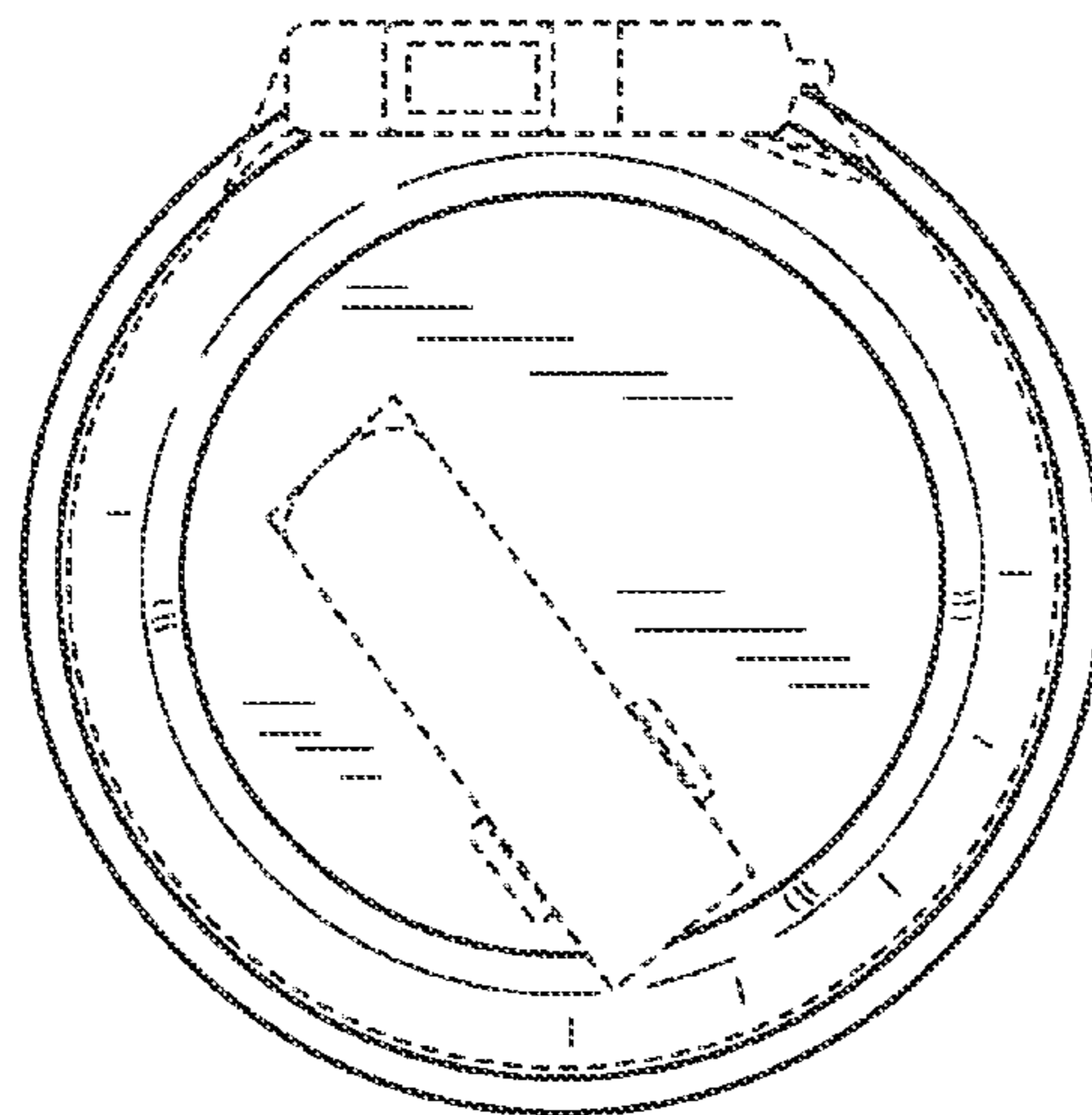


FIG. 7