



US00D710090S

(12) **United States Design Patent**  
**Myllymaki**

(10) **Patent No.:** **US D710,090 S**

(45) **Date of Patent:** **\*\* Aug. 5, 2014**

(54) **ACCESSORY FOR HOLDING GOODS**

(56) **References Cited**

(71) Applicant: **Charles Myllymaki**, Kankaanpaa (FI)

U.S. PATENT DOCUMENTS

(72) Inventor: **Charles Myllymaki**, Kankaanpaa (FI)

D403,150	S	*	12/1998	Diener et al.	.....	D3/228
D433,229	S	*	11/2000	Harker et al.	.....	D3/228
D560,906	S	*	2/2008	Meng	.....	D3/228
8,028,872	B2	*	10/2011	Hamlin	.....	224/183

(73) Assignee: **C. Myllfast Oy** (FI)

(\*\*) Term: **14 Years**

\* cited by examiner

(21) Appl. No.: **29/460,320**

*Primary Examiner* — Catheri Oliver-Garcia

(22) Filed: **Jul. 10, 2013**

(74) *Attorney, Agent, or Firm* — Skinner and Associates

**Related U.S. Application Data**

(63) Continuation of application No. 13/109,029, filed on May 17, 2011, now abandoned.

(57) **CLAIM**

The ornamental design for a accessory for holding goods, as shown and described.

(30) **Foreign Application Priority Data**

**DESCRIPTION**

May 27, 2010 (FI) ..... 20105597

(51) **LOC (10) Cl.** ..... **03-01**

(52) **U.S. Cl.**

USPC ..... **D3/228**

(58) **Field of Classification Search**

CPC ..... A45C 2011/001; A45C 2011/002;

A45C 2011/007; A45F 5/00; A45F 5/021;

A45F 5/14; A45F 2200/0575

USPC ..... D3/215, 224, 226, 228, 230; 224/183,

224/274, 667, 674, 678-681; 206/336-340,

206/372-377

See application file for complete search history.

FIG. 1 is a perspective view of a accessory for holding goods showing an embodiment of the design of the invention.

FIG. 2 is a front view thereof.

FIG. 3 is a side view thereof.

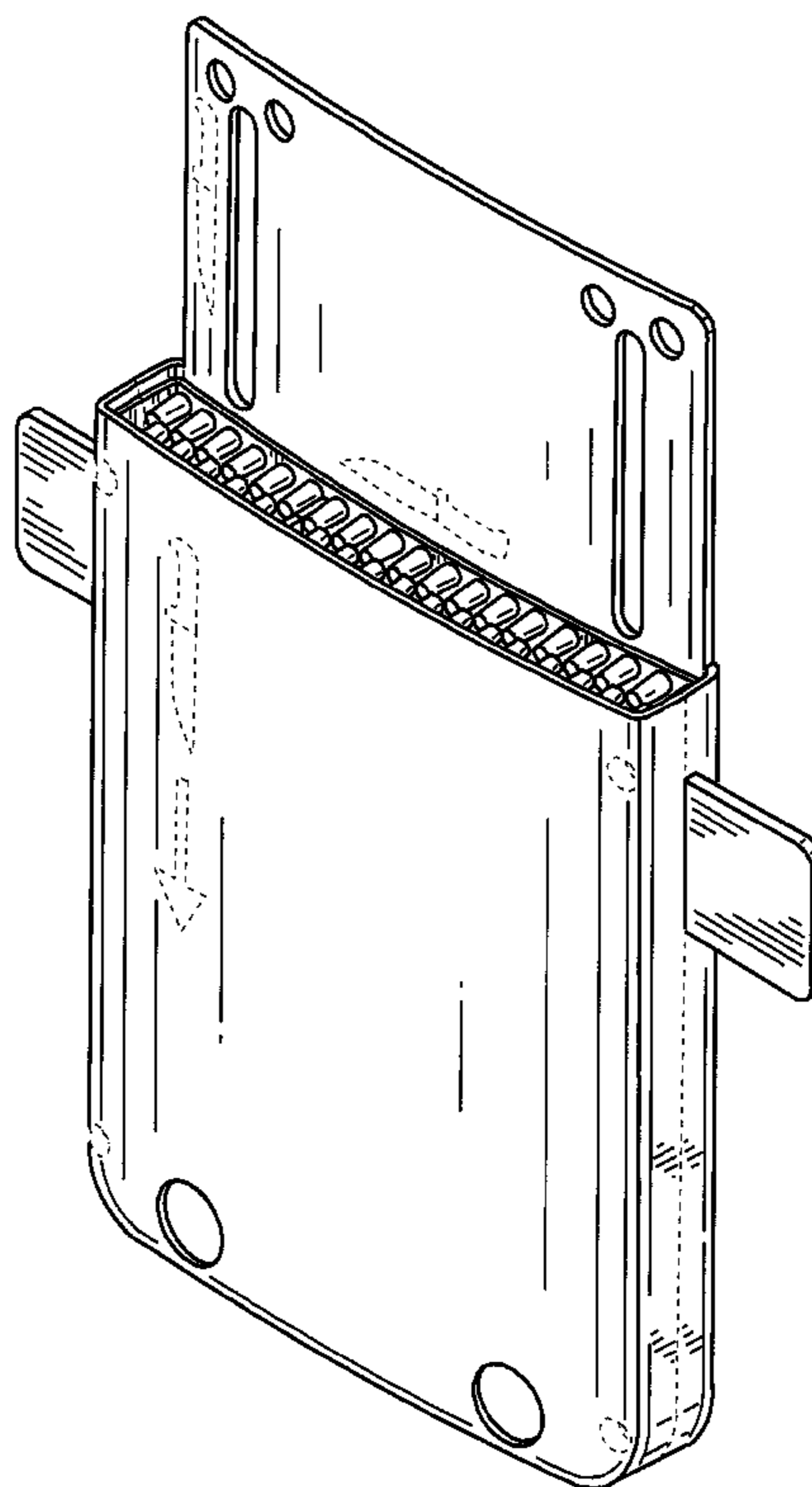
FIG. 4 is a rear view thereof.

FIG. 5 is a top view thereof; and,

FIG. 6 is a bottom view thereof.

The broken line showing of environment on the drawings is included for the purpose of illustration only and forms no part of the claimed design.

**1 Claim, 4 Drawing Sheets**



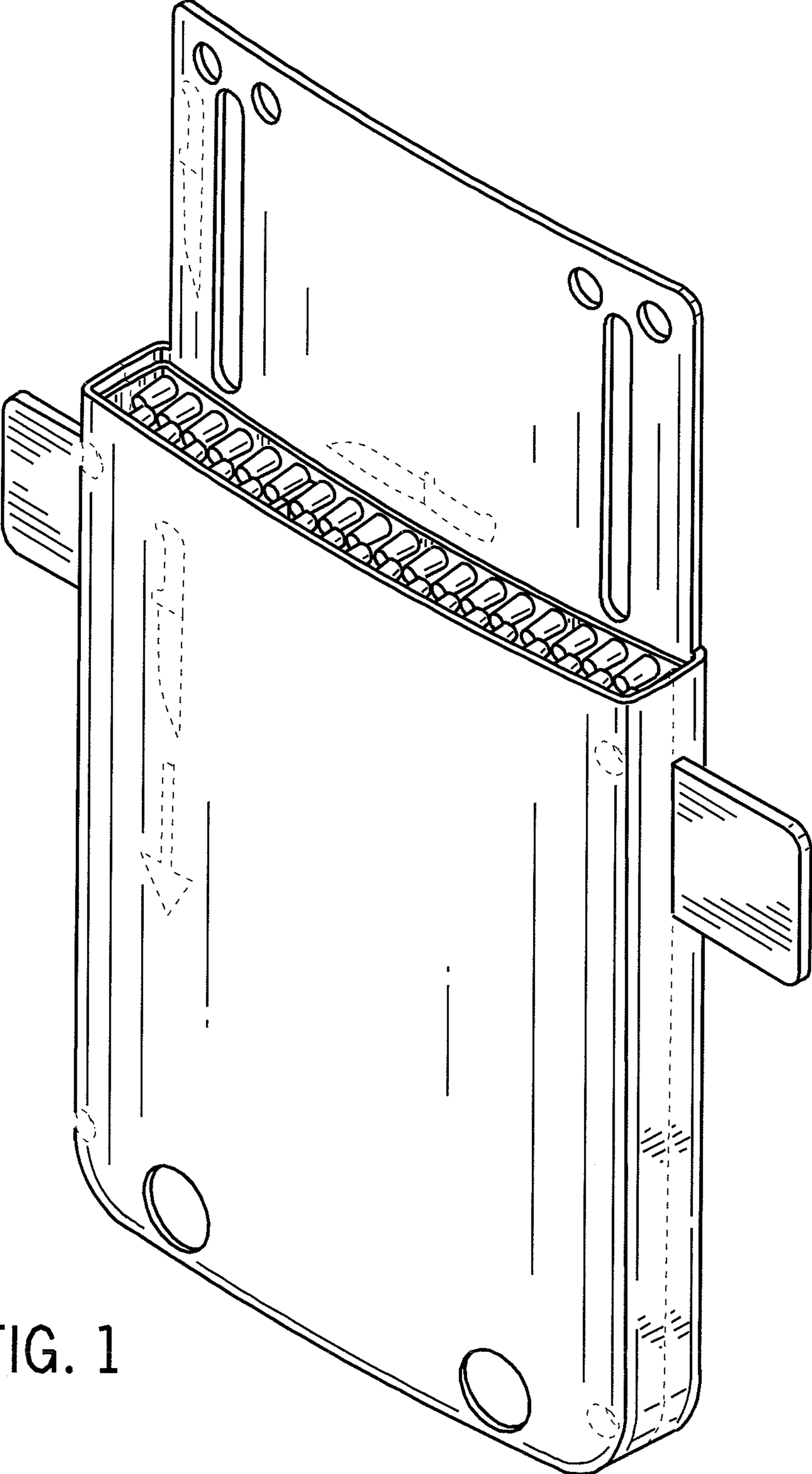


FIG. 1

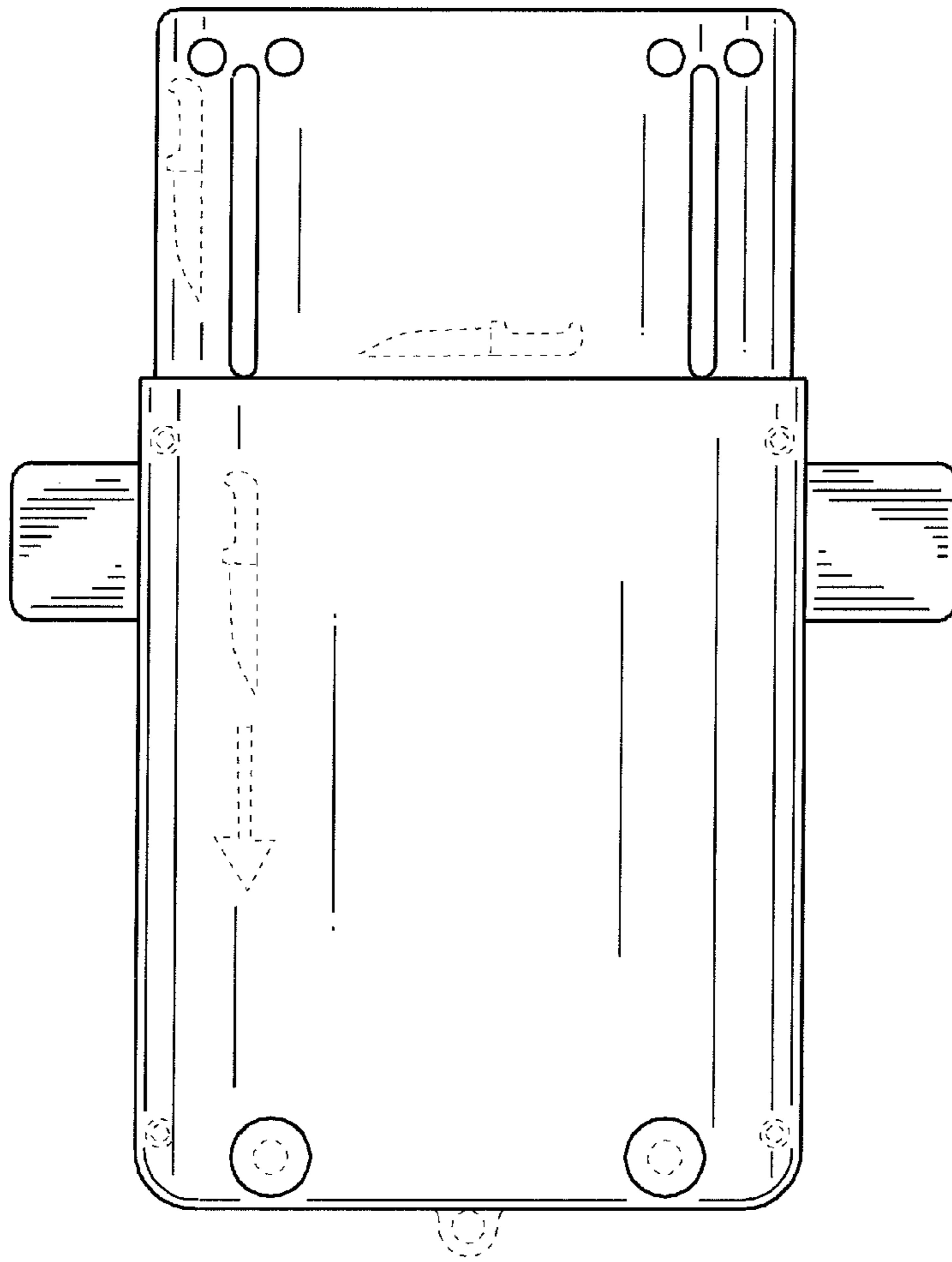


FIG. 2

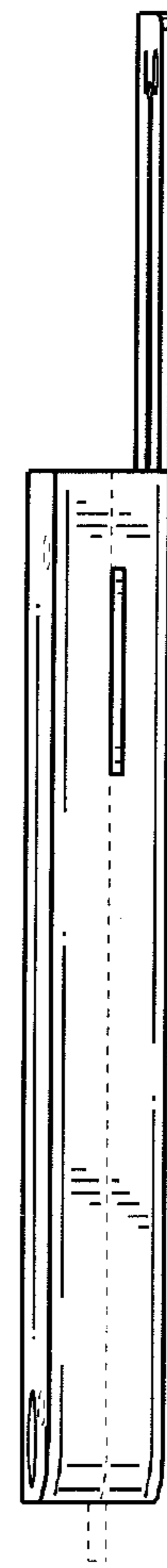


FIG. 3

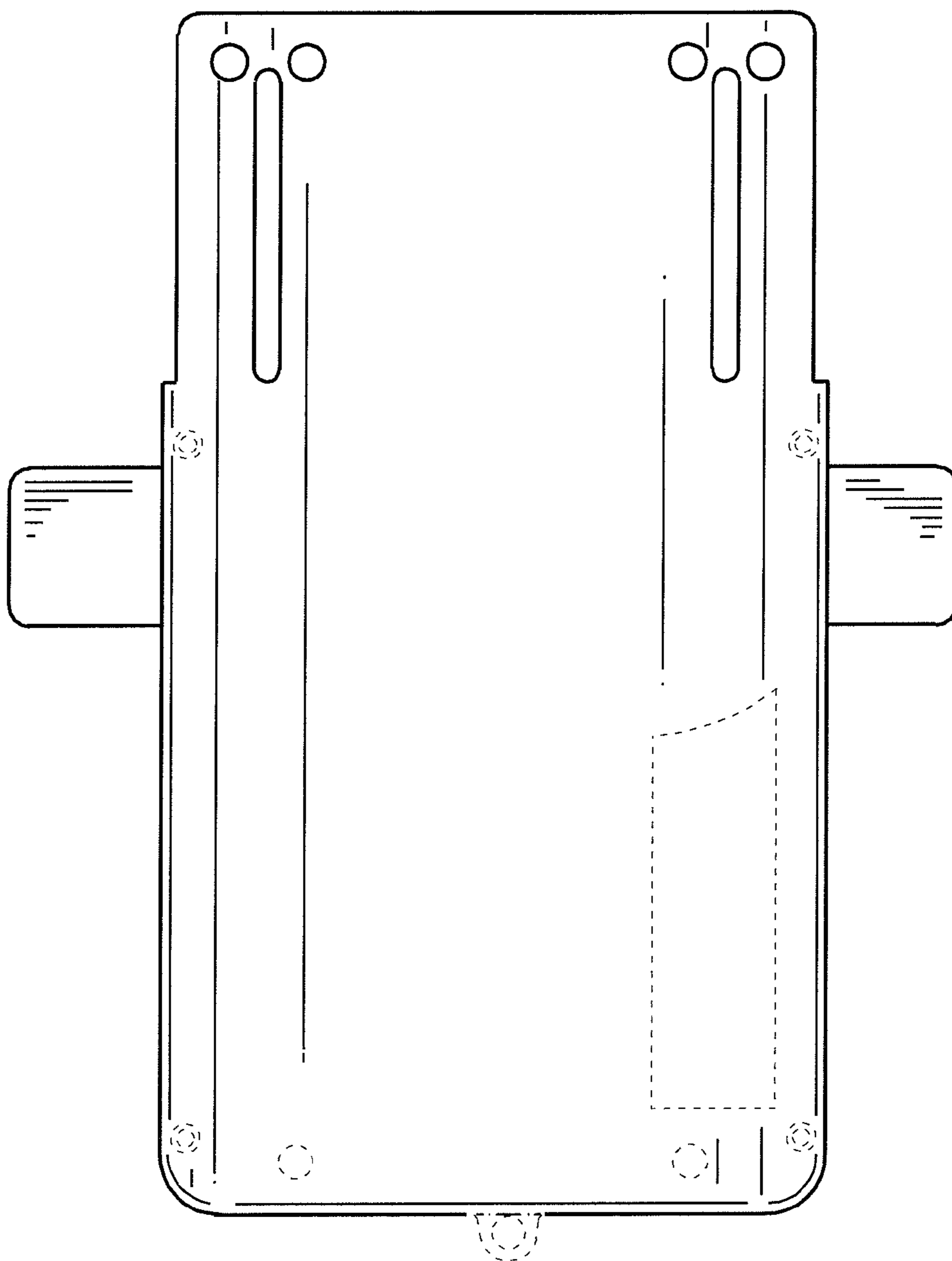


FIG. 4



FIG. 5

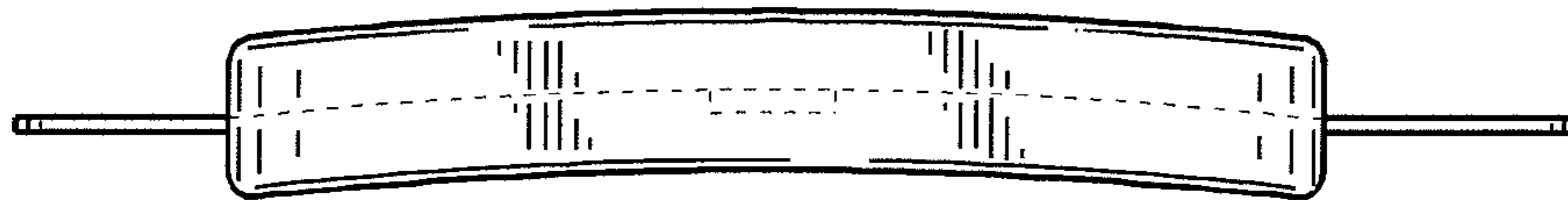


FIG. 6