



US00D710087S

(12) **United States Design Patent**
Praamsma et al.

(10) **Patent No.:** **US D710,087 S**

(45) **Date of Patent:** **** Aug. 5, 2014**

(54) **PERSONAL ACCESSORY HOLDER**

(75) Inventors: **Conrad Praamsma**, Ontario (CA); **Paul Deakin**, Laguna Niguel (CA)

(73) Assignee: **Hangaray LLC**, Laguna Niguel, CA (US)

(**) Term: **14 Years**

(21) Appl. No.: **29/419,553**

(22) Filed: **Apr. 30, 2012**

(51) **LOC (10) Cl.** **03-01**

(52) **U.S. Cl.**
USPC **D3/219; D3/266**

(58) **Field of Classification Search**
USPC D3/219, 215, 263, 266; 206/5;
248/316.7, 902; 351/63, 111-112, 124,
351/158, 159.58
See application file for complete search history.

(56) **References Cited**

U.S. PATENT DOCUMENTS

1,973,648 A	9/1934	Nagel	
3,416,195 A	12/1968	Borthwick	
4,051,554 A	10/1977	Kallman	
4,157,166 A	6/1979	Voelker	
4,325,504 A	4/1982	Amani	
4,458,384 A	7/1984	Arnold	
4,771,515 A	9/1988	Guarro	
4,894,887 A	1/1990	Ward, II	
4,896,377 A	1/1990	Ferdi	
4,938,581 A	7/1990	Trickel	
4,966,322 A	10/1990	Zagorski et al.	
5,033,612 A	7/1991	Bivins	
D320,025 S *	9/1991	Horrall	D3/266
5,078,484 A	1/1992	Vaughn	
5,119,979 A	6/1992	Kallman	
5,305,934 A	4/1994	Grey	
5,343,599 A	9/1994	Reeves	
5,351,098 A	9/1994	McDaniels et al.	
D374,978 S *	10/1996	Ferdi	D3/215

5,654,787 A	8/1997	Barison	
5,699,990 A	12/1997	Seach	
D402,104 S *	12/1998	Kauker et al.	D3/215
5,842,613 A	12/1998	White	
5,903,928 A	5/1999	Hyung-Seob	
5,956,812 A	9/1999	Moennig	

(Continued)

Primary Examiner — Catheri Oliver-Garcia

(74) *Attorney, Agent, or Firm* — Knobbe Martens Olson & Bear LLP

(57) **CLAIM**

The ornamental design for a personal accessory holder, as shown and described.

DESCRIPTION

FIG. 1 is a front, bottom, and side perspective view of a first embodiment of a personal accessory holder in a first position embodying our new design.

FIG. 2 is a front view thereof.

FIG. 3 is a rear view thereof.

FIG. 4 is a side view thereof, the opposite side being a mirror image.

FIG. 5 is a top view thereof.

FIG. 6 is a bottom view thereof.

FIG. 7 is a front, bottom, and side perspective view of the first embodiment of the personal accessory holder in a second position.

FIG. 8 is a front view thereof.

FIG. 9 is a rear view thereof.

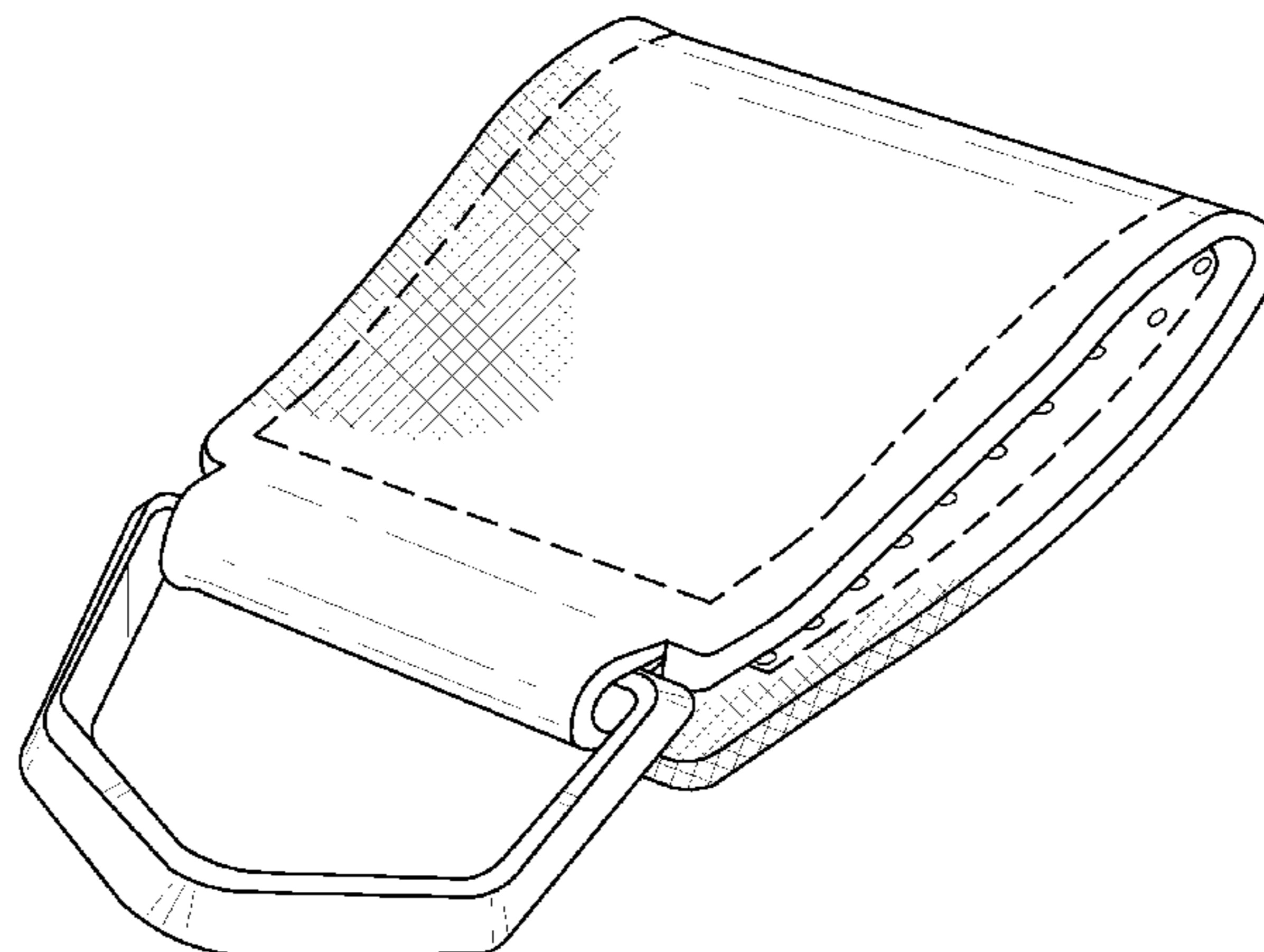
FIG. 10 is a side view thereof, the opposite side being a mirror image.

FIG. 11 is a top view thereof; and,

FIG. 12 is a bottom view thereof.

Broken lines are used to illustrate features of the personal accessory holder which form no part of the claimed design. Cross hatching lines are used to illustrate representative surface shading. Large broken lines illustrate stitching on the main body which forms no part of the claimed design.

1 Claim, 4 Drawing Sheets



(56)

References Cited

U.S. PATENT DOCUMENTS

5,983,459	A	11/1999	Goldenberg			
6,029,319	A	2/2000	Challender			
6,039,173	A	3/2000	Crow			
6,070,303	A	6/2000	Macy et al.			
6,076,925	A	6/2000	Kraut			
6,134,753	A	10/2000	O'Mahony			
6,168,273	B1	1/2001	Dupraz et al.			
6,199,218	B1	3/2001	Michael			
6,260,749	B1	7/2001	Horovitz			
D448,554	S	10/2001	Zelman			
6,367,126	B1	4/2002	Rivkin			
6,367,926	B1	4/2002	Chao et al.			
6,375,324	B2	4/2002	Schleger et al.			
6,425,664	B1	7/2002	Liu et al.			
D466,288	S	12/2002	Koo			
D471,357	S *	3/2003	Hoppe et al.	D3/266	
6,533,414	B2	3/2003	Newler			
6,539,587	B2	4/2003	Harrison			
6,568,805	B1	5/2003	Dietz			
6,598,268	B1	7/2003	Zelman			
6,691,374	B2	2/2004	Coyne			
D487,344	S	3/2004	Sieger			
6,899,423	B1	5/2005	Brazell			
6,935,742	B1	8/2005	Wilson, Sr.			
D512,833	S *	12/2005	Massaro, Jr.	D3/219	
7,013,492	B2	3/2006	Hugh et al.			
7,101,040	B2	9/2006	Karasik			
7,134,751	B1	11/2006	Copia			
7,172,283	B1	2/2007	Asta			
7,229,171	B2	6/2007	Dietz			
7,296,889	B2	11/2007	Dietz			
						7,303,276 B2 12/2007 Raymond
						7,496,991 B2 3/2009 Avery
						D603,604 S * 11/2009 DeSario D3/219
						D605,398 S * 12/2009 Rodriguez D3/219
						7,721,392 B2 5/2010 Avery
						7,740,215 B2 6/2010 Lang
						7,857,445 B2 12/2010 Jodoin
						7,979,963 B2 7/2011 Lee-Holowka et al.
						D643,212 S 8/2011 Rathbun
						D649,348 S 11/2011 Murphy, Jr.
						2002/0021405 A1 2/2002 Fukai
						2002/0170147 A1 11/2002 Heller
						2004/0183993 A1 9/2004 Dietz
						2004/0200040 A1 10/2004 Frassanito
						2004/0237262 A1 12/2004 Arnone
						2004/0239873 A1 12/2004 Dietz
						2005/0022290 A1 2/2005 Neaman
						2005/0264755 A1 12/2005 Dietz
						2007/0058129 A1 3/2007 Raymond
						2007/0245528 A2 10/2007 Vermillion
						2008/0127460 A1 6/2008 Severen et al.
						2009/0007388 A1 1/2009 Villeneuve
						2009/0019671 A1 1/2009 Trullas
						2009/0126159 A1 5/2009 Murphy, Jr.
						2009/0284709 A1 11/2009 Didner
						2009/0320247 A1 12/2009 Honeycutt
						2010/0039610 A1 2/2010 Mauro
						2010/0083699 A1 4/2010 Conigliaro
						2010/0157237 A1 6/2010 Mor et al.
						2010/0180406 A1 7/2010 Mor
						2010/0220284 A1 9/2010 Bond et al.
						2010/0263170 A1 10/2010 Dollar, Sr.
						2011/0174846 A1 7/2011 Racaniello

* cited by examiner

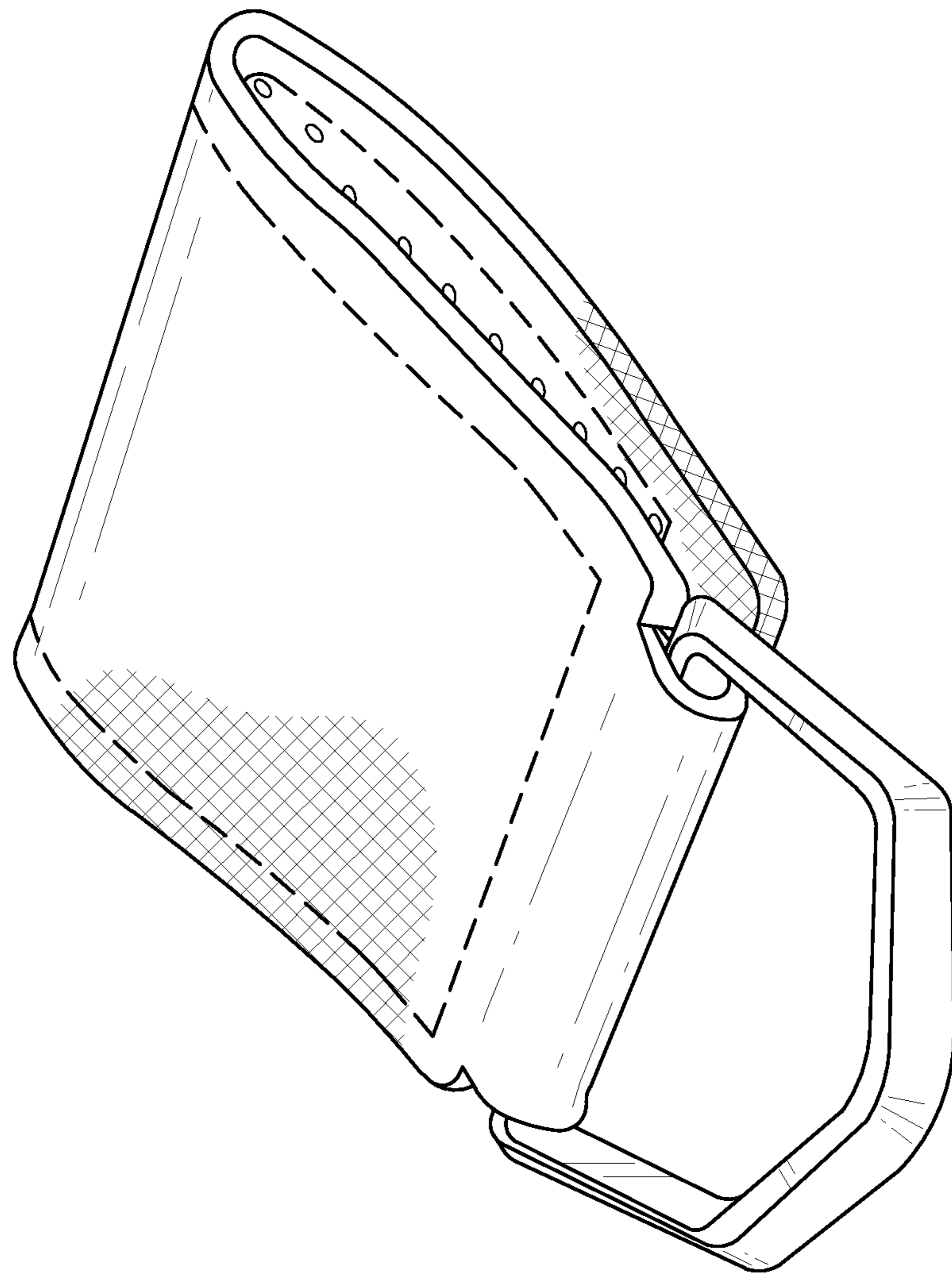


FIG. 1

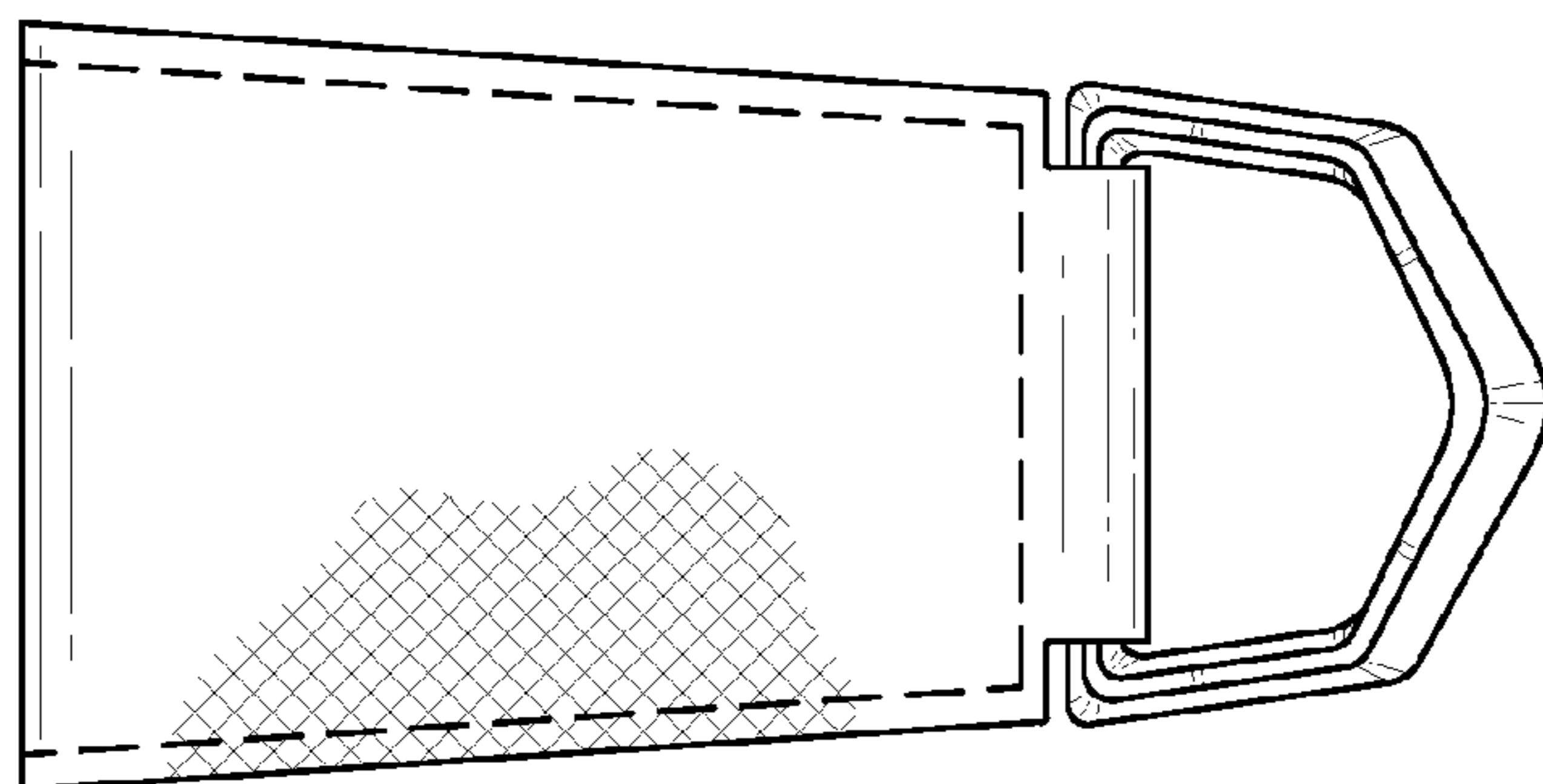


FIG. 2

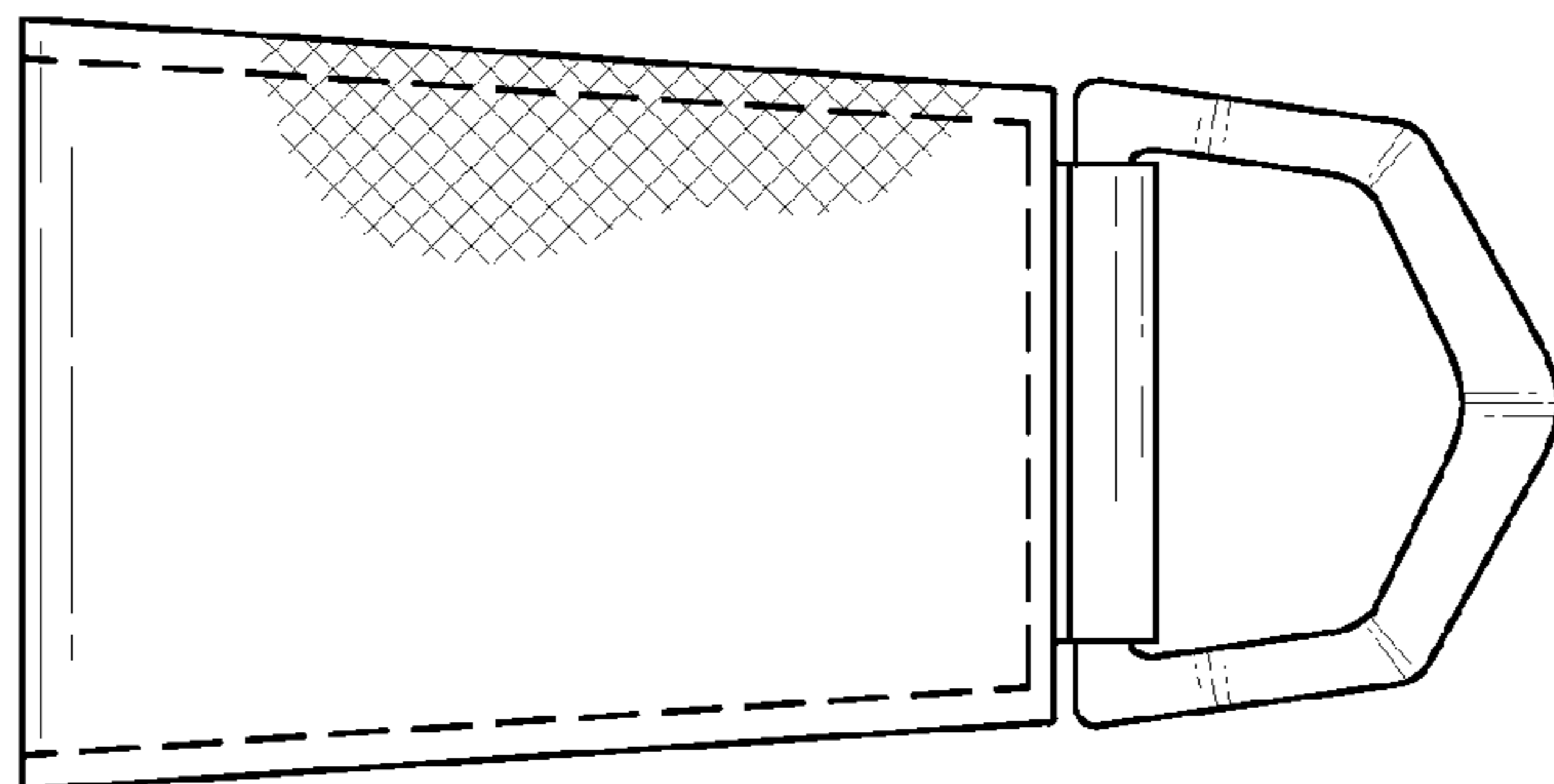


FIG. 3

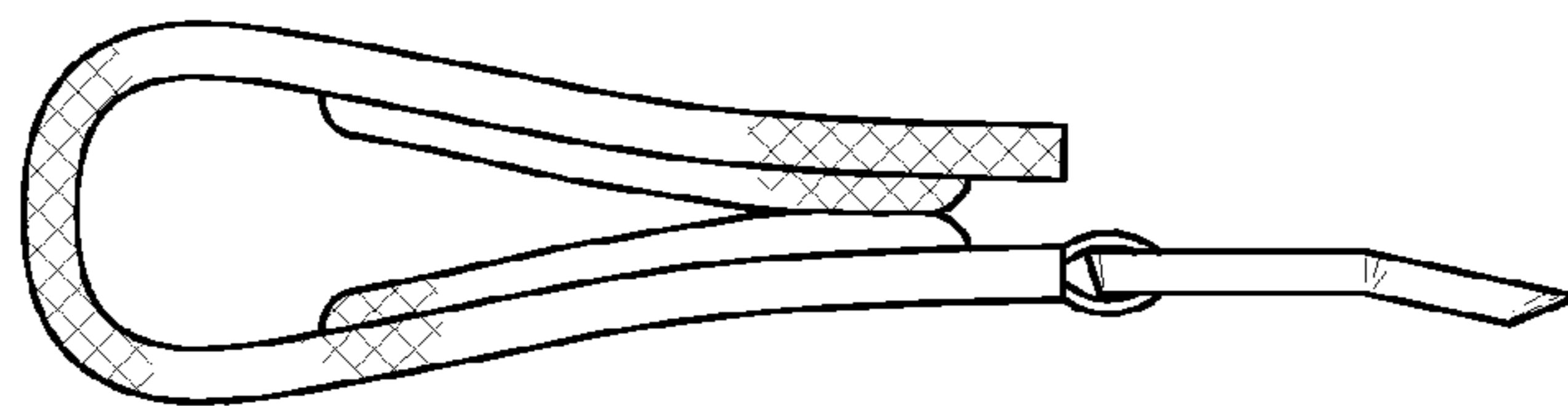


FIG. 4

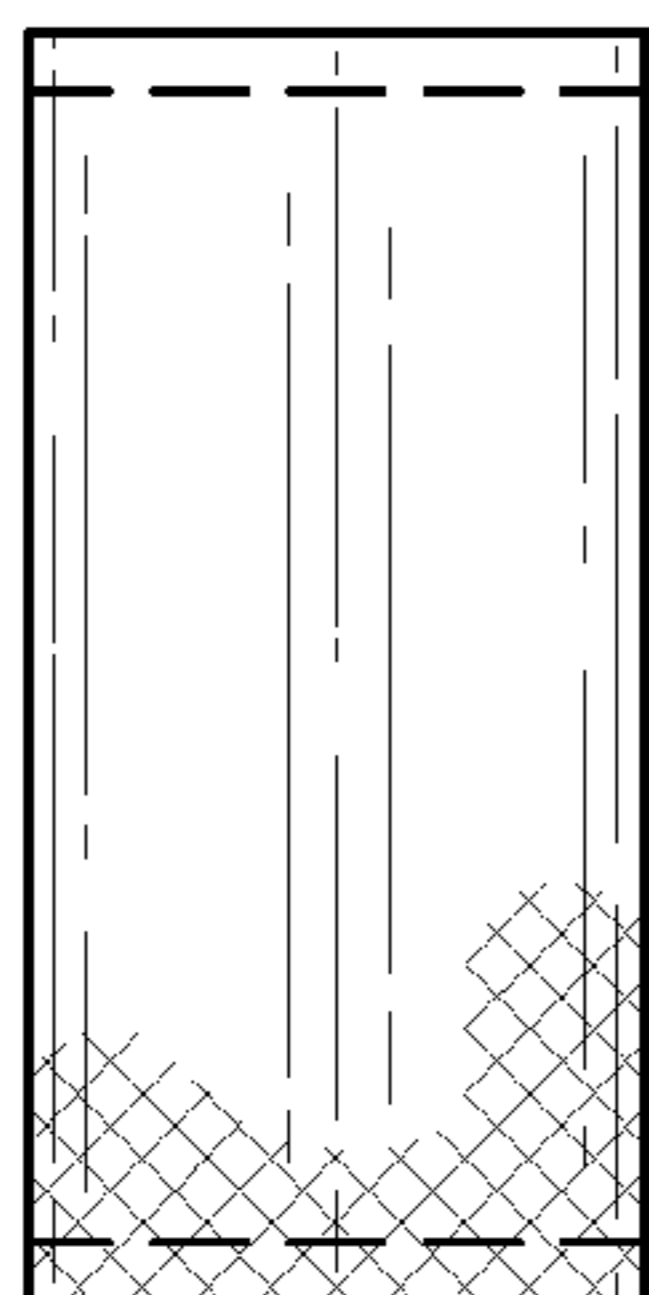


FIG. 5

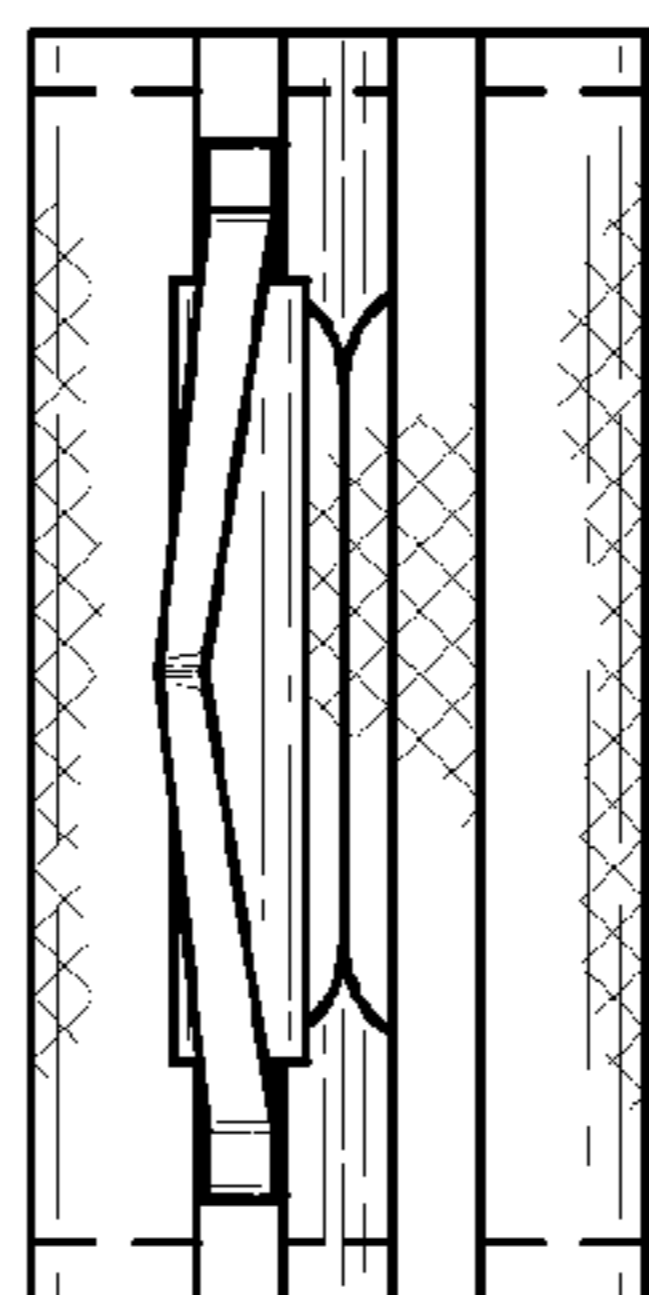


FIG. 6

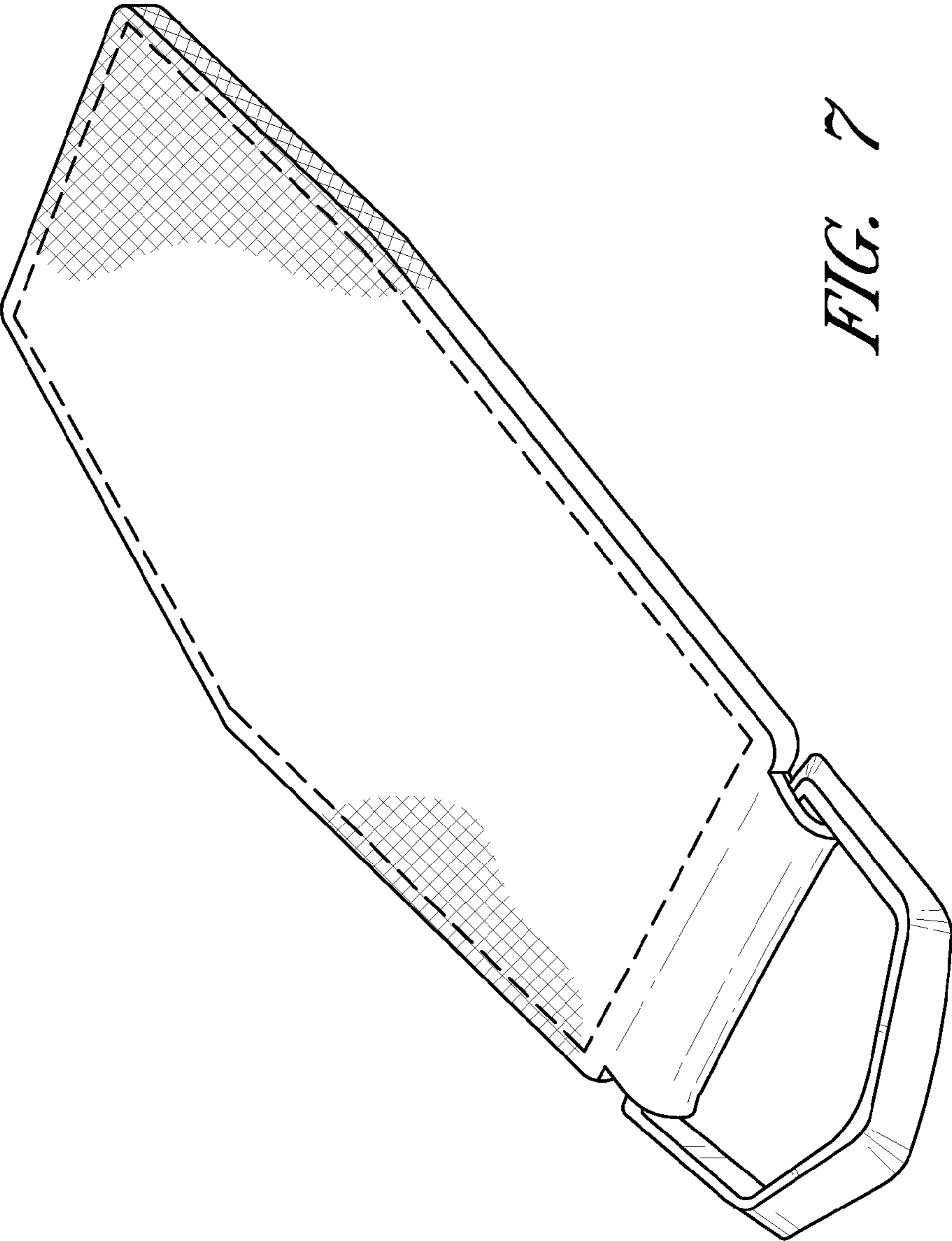


FIG. 7

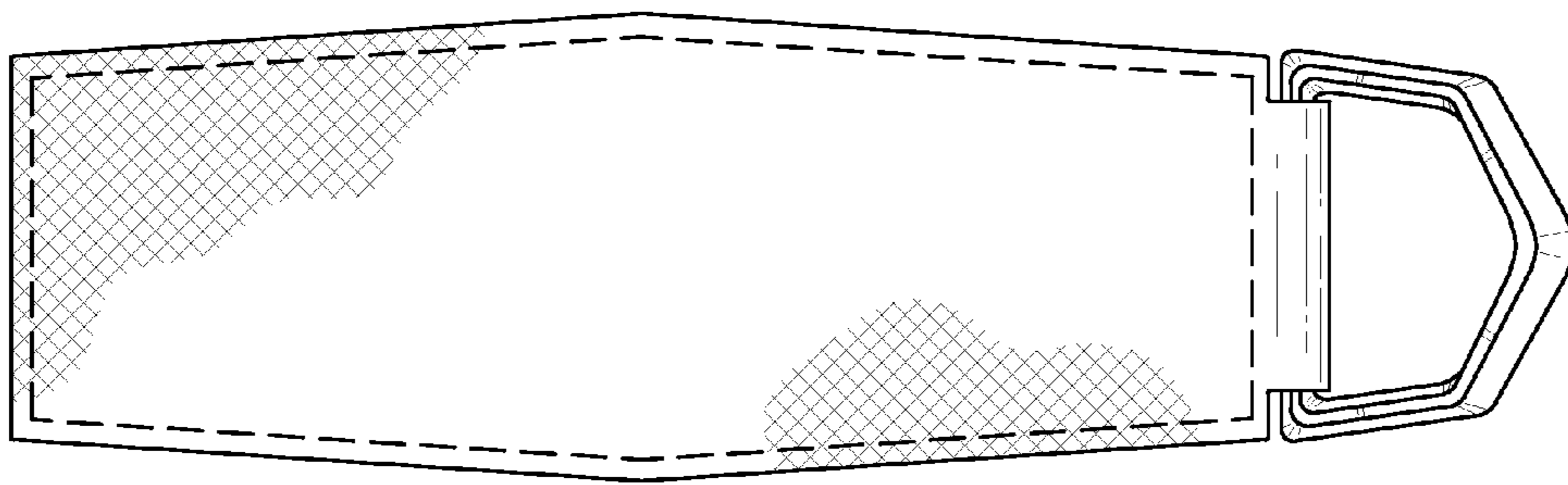


FIG. 8

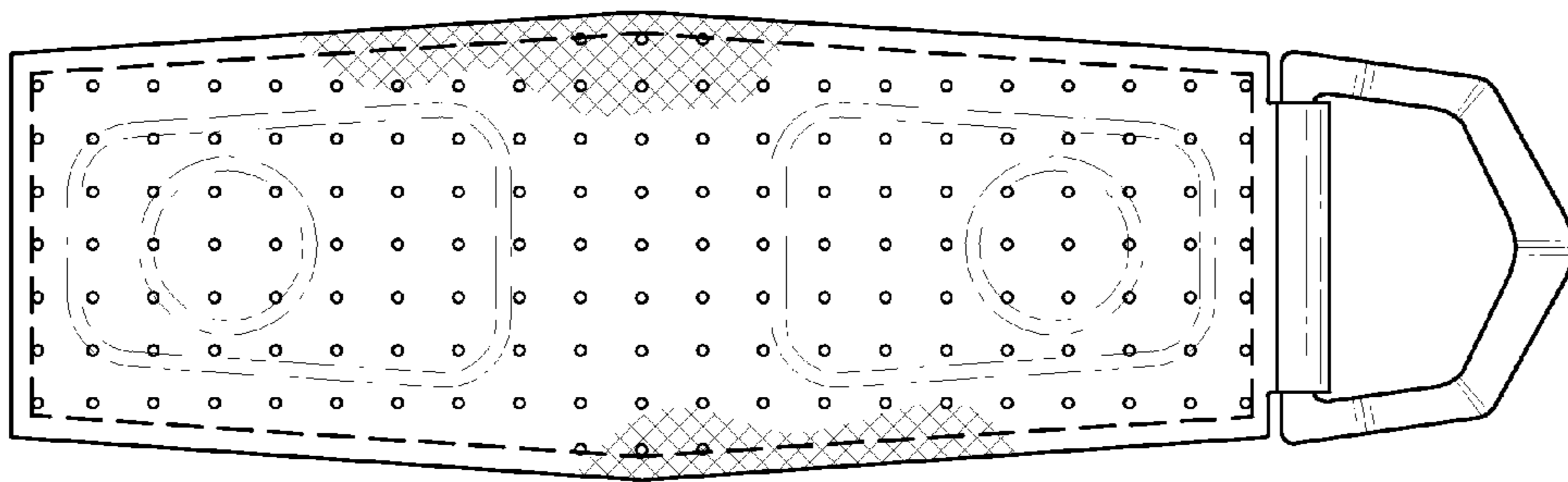


FIG. 9

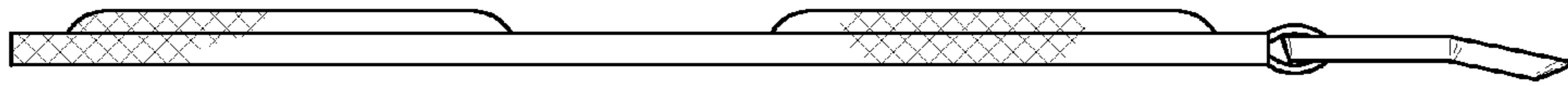


FIG. 10



FIG. 11



FIG. 12