



US00D710085S

(12) **United States Design Patent**
Szewczyk

(10) **Patent No.:** **US D710,085 S**
(45) **Date of Patent:** **** Aug. 5, 2014**

(54) **BACKPACK**

(71) Applicant: **Harry Fox & Associates**, Melrose Park, IL (US)

(72) Inventor: **Thaddeus Szewczyk**, Chicago, IL (US)

(73) Assignee: **Harry Fox & Associates, Inc.**, Melrose Park, IL (US)

(**) Term: **14 Years**

(21) Appl. No.: **29/452,940**

(22) Filed: **Apr. 23, 2013**

(51) **LOC (10) Cl.** **03-01**

(52) **U.S. Cl.**
USPC **D3/217**

(58) **Field of Classification Search**
CPC A45F 3/04; A45F 3/047; A45F 3/10; A45F 3/14; A45F 4/02; A45F 4/08; A45F 2200/05; A45F 2200/0525; A45C 13/08; A45C 13/083
USPC D3/201, 213, 214, 215, 216, 217, 218, D3/231, 232, 267, 273, 289, 290; 224/153, 224/155, 156, 191, 575, 576, 578, 581, 586, 224/613, 617, 627, 637, 644, 645, 650, 653, 224/657; 441/80; 5/413 R; 190/1
See application file for complete search history.

(56) **References Cited**

U.S. PATENT DOCUMENTS

4,491,258 A * 1/1985 Jones 224/153
5,222,642 A * 6/1993 Solarz 224/191
D355,297 S * 2/1995 Ash, Jr. D3/217

D374,979 S * 10/1996 Roberson et al. D3/217
D396,952 S * 8/1998 Liu D3/216
D409,375 S * 5/1999 Santoro et al. D3/217
6,216,926 B1 * 4/2001 Pratt 224/153
D444,942 S * 7/2001 Melnick D3/216
D448,160 S * 9/2001 Sijmons et al. D3/216
D489,174 S * 5/2004 Shigenaka et al. D3/217
D603,157 S * 11/2009 Hutchinson D3/217
8,118,201 B1 * 2/2012 Calkin 224/156
2002/0139820 A1 * 10/2002 Godshaw et al. 224/153
2002/0179653 A1 * 12/2002 Klamm 224/153

* cited by examiner

Primary Examiner — Martie K Holtje

(74) *Attorney, Agent, or Firm* — Drinker Biddle & Reath LLP

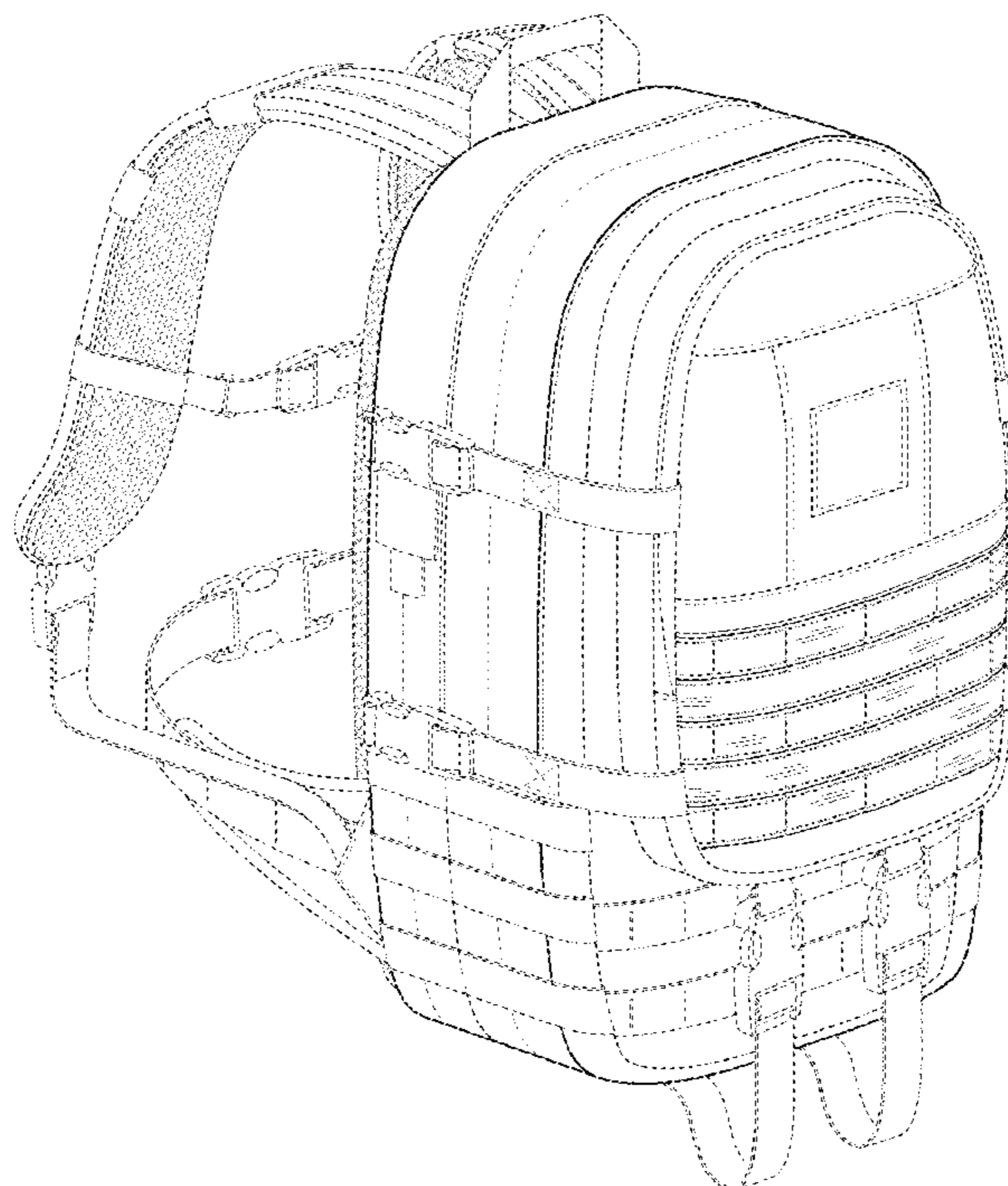
(57) **CLAIM**

The ornamental design for a backpack, as shown and described.

DESCRIPTION

FIG. 1 is a front perspective view of a backpack showing my new design;
FIG. 2 is a front elevational view thereof;
FIG. 3 is a rear elevational view thereof;
FIG. 4 is a left side elevational view thereof;
FIG. 5 is a right side elevational view thereof;
FIG. 6 is a top plan view thereof; and,
FIG. 7 is a bottom plan view thereof.
The structural features depicted by broken lines in the drawing views have been shown for the purpose of illustrating portions of the backpack that form no part of the claimed design.

1 Claim, 4 Drawing Sheets



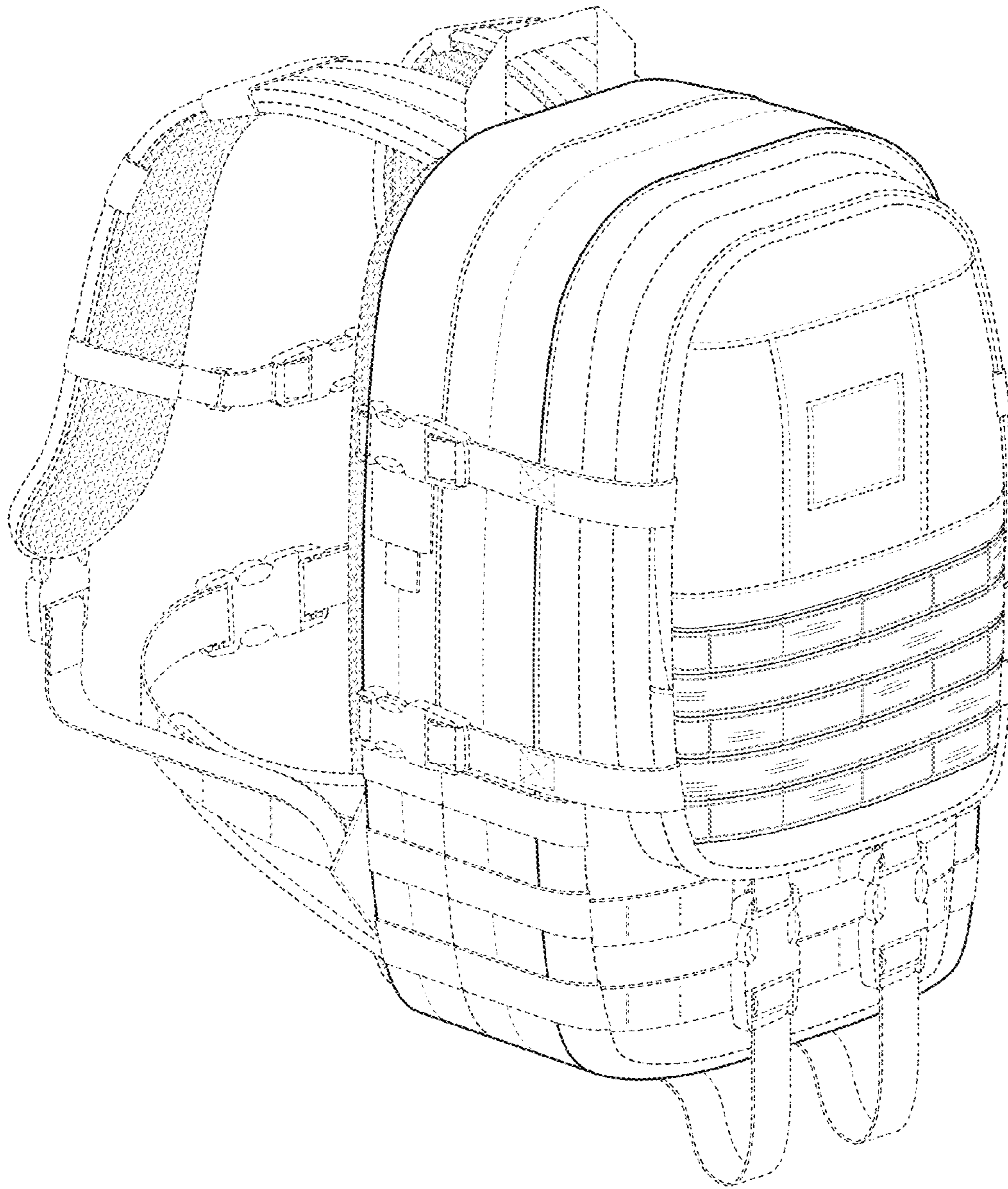


FIG. 1

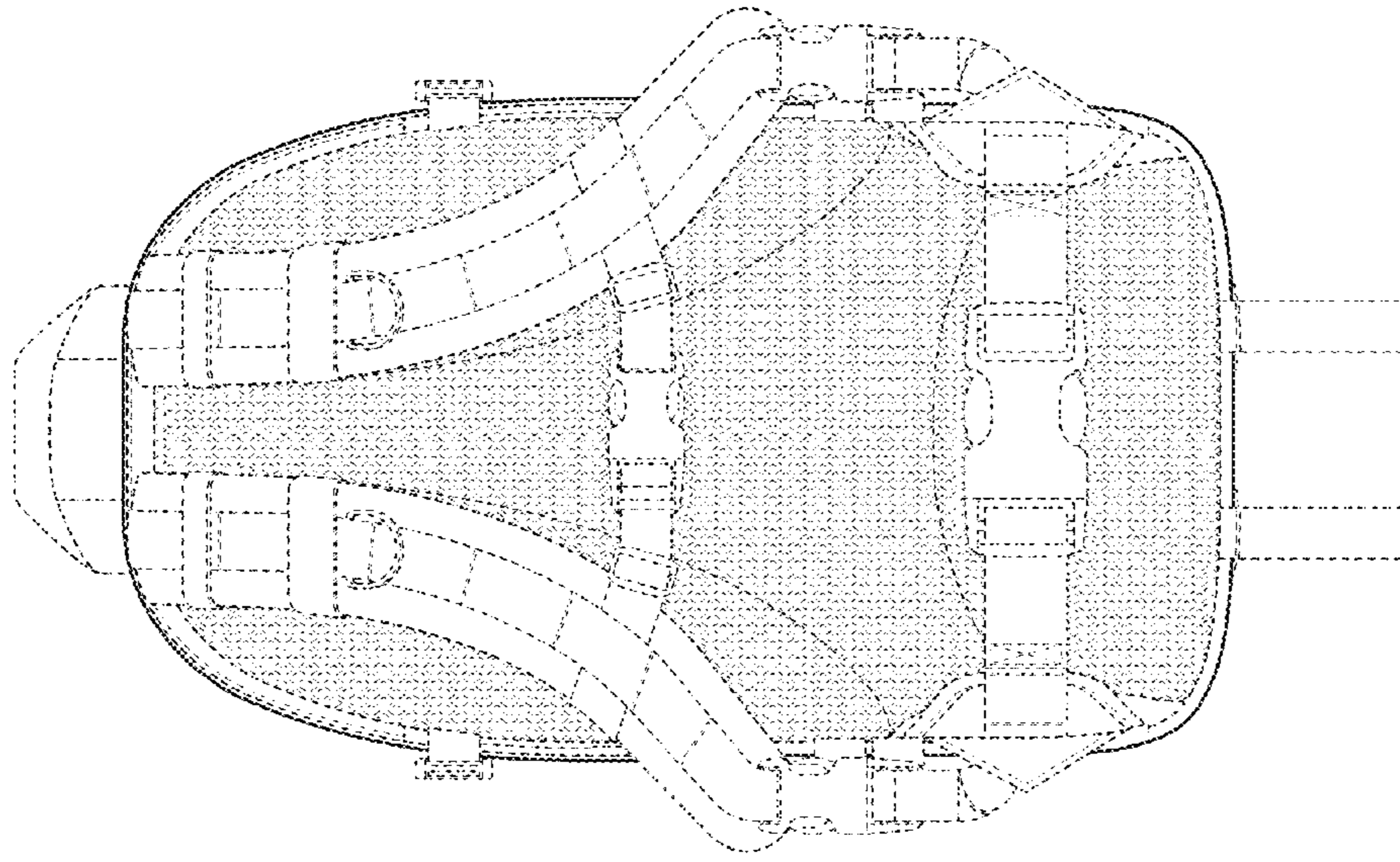


FIG. 3

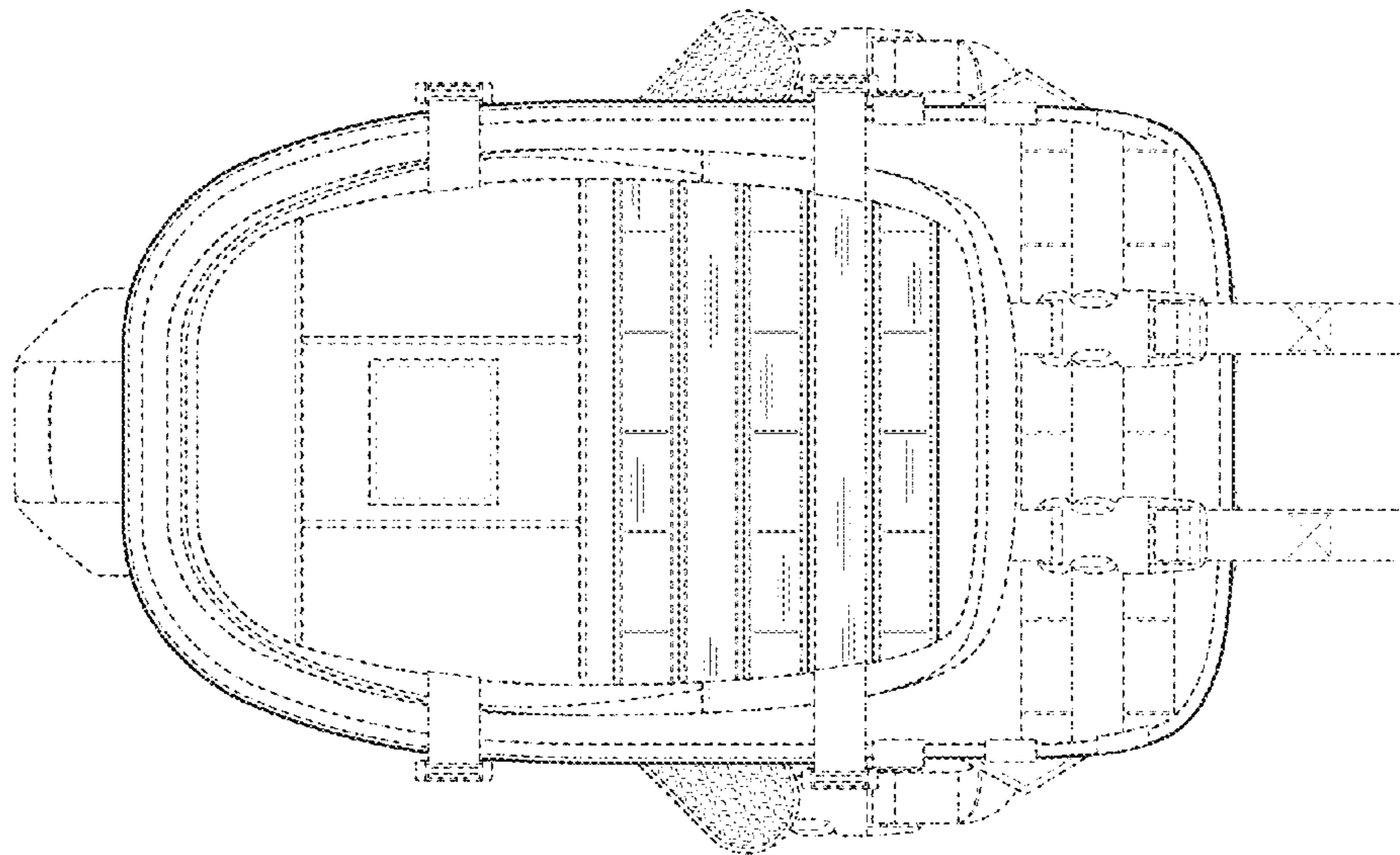


FIG. 2

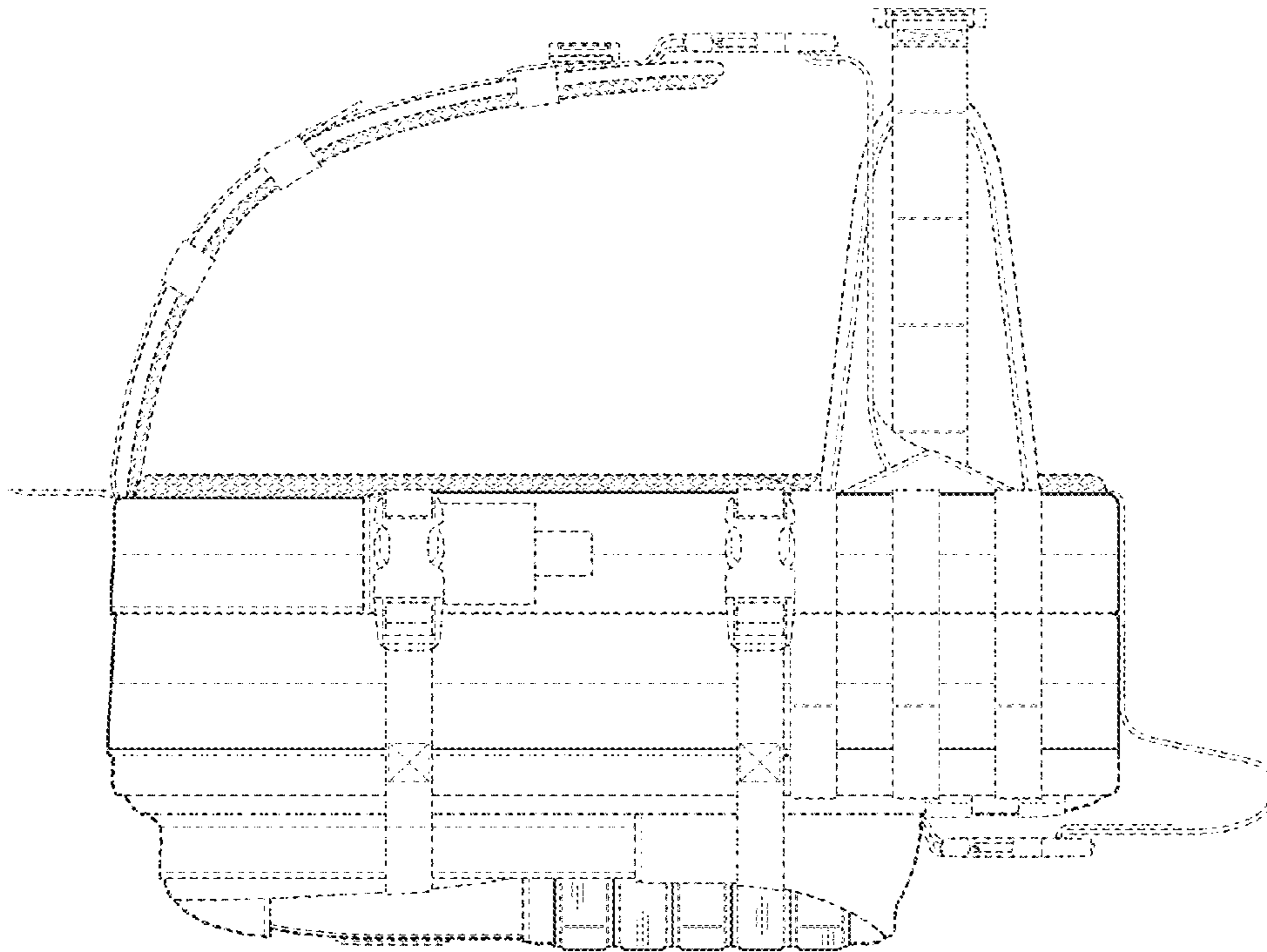


FIG. 5

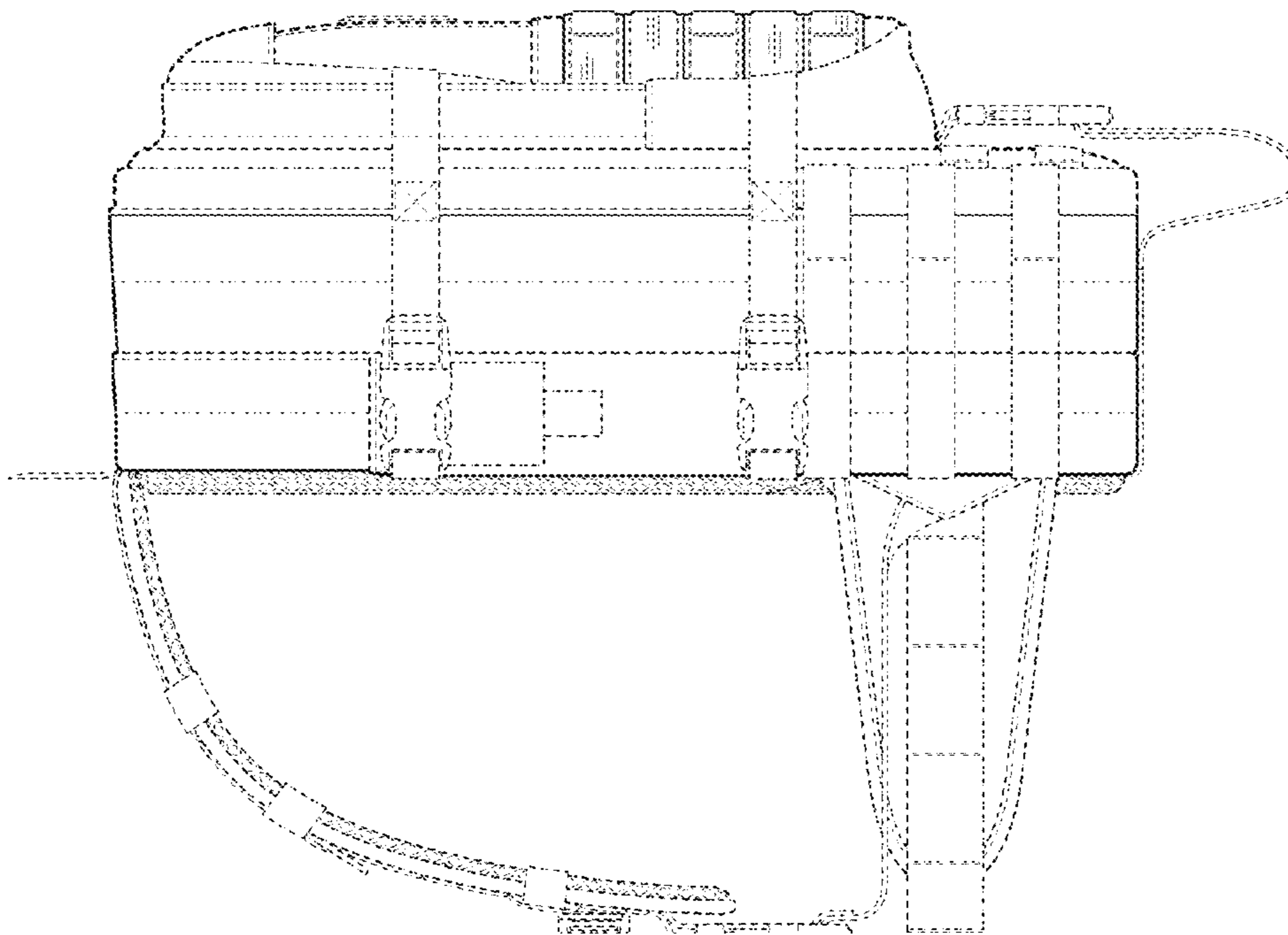


FIG. 4

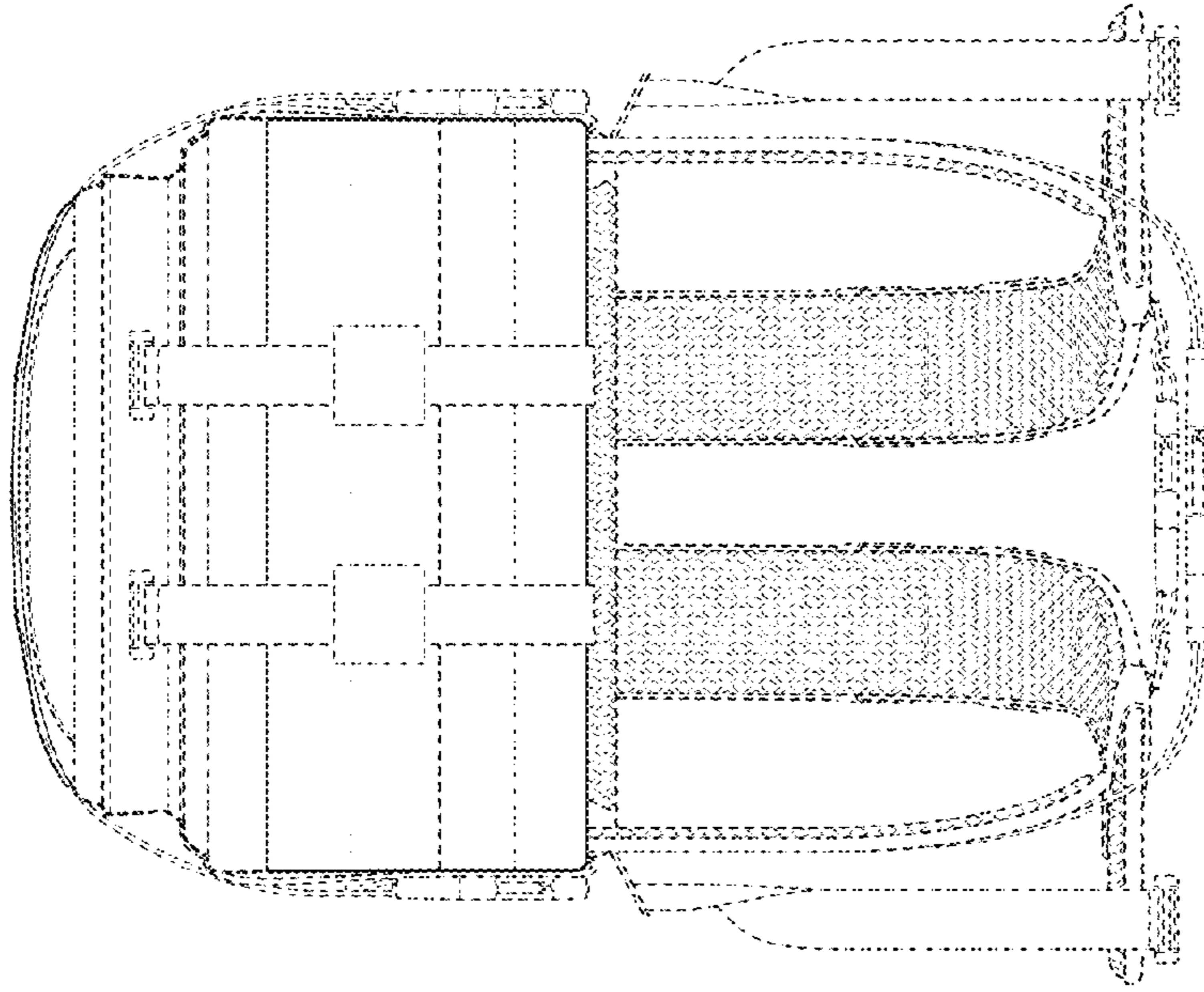


FIG. 6

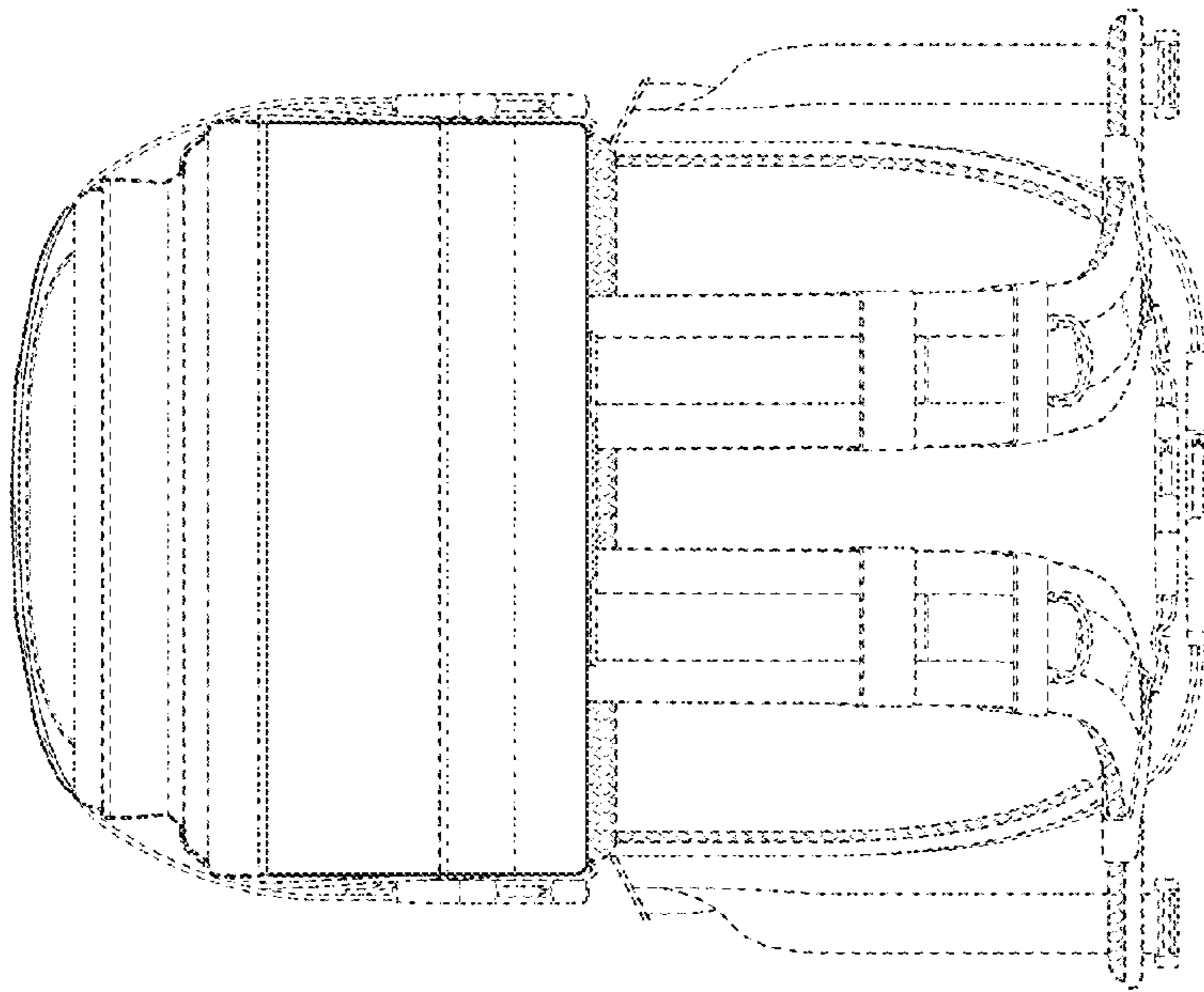


FIG. 7