



US00D710074S

(12) **United States Design Patent**
Cho

(10) **Patent No.:** **US D710,074 S**

(45) **Date of Patent:** **** Aug. 5, 2014**

(54) **CAP**

(71) Applicant: **Yupoong, Inc.**, Seoul (KR)

(72) Inventor: **Byoung-Woo Cho**, Seoul (KR)

(73) Assignee: **Yupoong, Inc.** (KR)

(**) Term: **14 Years**

(21) Appl. No.: **29/456,384**

(22) Filed: **May 30, 2013**

(30) **Foreign Application Priority Data**

May 15, 2013 (KR) 30-2013-0025590

(51) **LOC (10) Cl.** **02-03**

(52) **U.S. Cl.**
USPC **D2/882**

(58) **Field of Classification Search**
USPC D2/865, 866, 872, 878, 879, 882, 883,
D2/884, 886, 887, 888, 891, 892; 2/171,
2/171.5, 171.6, 171.7, 171.8, 175.1,
2/175.9, 183, 195.1, 195.2, 209.12,
2/209.13, 209.3, 209.4, 209.5, 209.7
See application file for complete search history.

(56) **References Cited**

U.S. PATENT DOCUMENTS

2,749,555 A * 6/1956 Oliveira 40/329
D314,857 S * 2/1991 Vossler D2/888
D368,153 S * 3/1996 Amey D2/879
D378,238 S * 3/1997 Anderson D2/869

D403,491 S * 1/1999 Wyatt et al. D2/866
D429,404 S * 8/2000 DeChambeau D2/866
6,986,166 B2 1/2006 Cho
D514,281 S 2/2006 Cho
D520,716 S 5/2006 Cho
D582,634 S * 12/2008 Lagassey D2/866
D694,493 S * 12/2013 Presha et al. D2/882
2002/0095715 A1 * 7/2002 Hong 2/209.11
2003/0233696 A1 * 12/2003 Lee 2/195.2
2004/0250336 A1 12/2004 Cho
2006/0048275 A1 3/2006 Cho

* cited by examiner

Primary Examiner — Karen E Eldridge Powers
(74) *Attorney, Agent, or Firm* — Fellers, Snider,
Blackenship, Bailey & Tippens, P.C.

(57) **CLAIM**
The ornamental design for a cap, as shown and described.

DESCRIPTION

FIG. 1 is a front perspective view of the cap showing my design;
FIG. 2 is a front elevation view thereof;
FIG. 3 is a rear elevation view thereof;
FIG. 4 is a left side elevation view thereof;
FIG. 5 is a right side elevation view thereof;
FIG. 6 is a top plan view thereof;
FIG. 7 is a bottom plan view thereof; and,
FIG. 8 is a rear perspective view thereof.
The six rows of broken lines on the bill of the cap are lines of stitching that form no part of the claimed design.
The size adjustment strap shown in broken lines on the back portion of the cap forms no part of the claimed design.

1 Claim, 8 Drawing Sheets

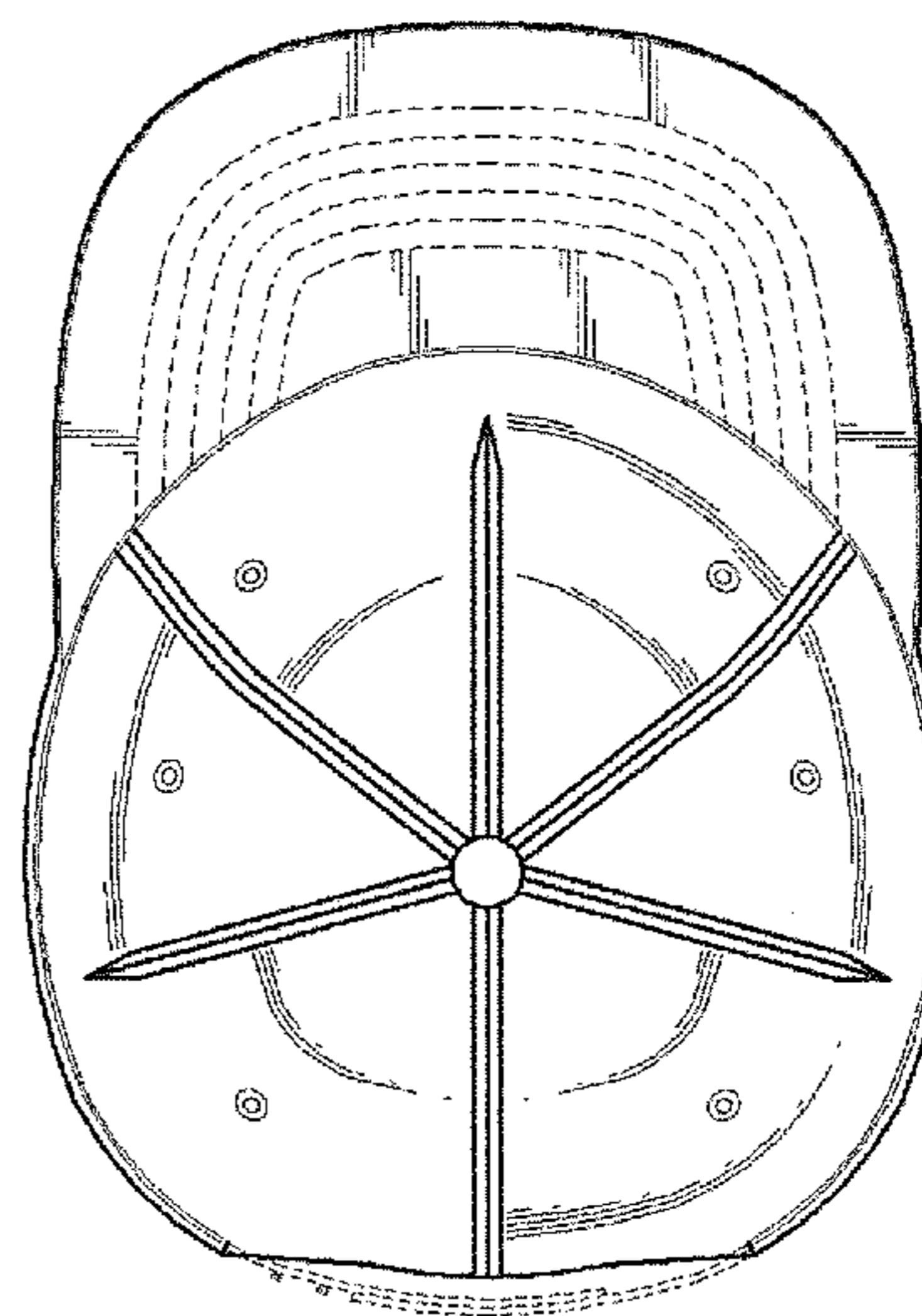
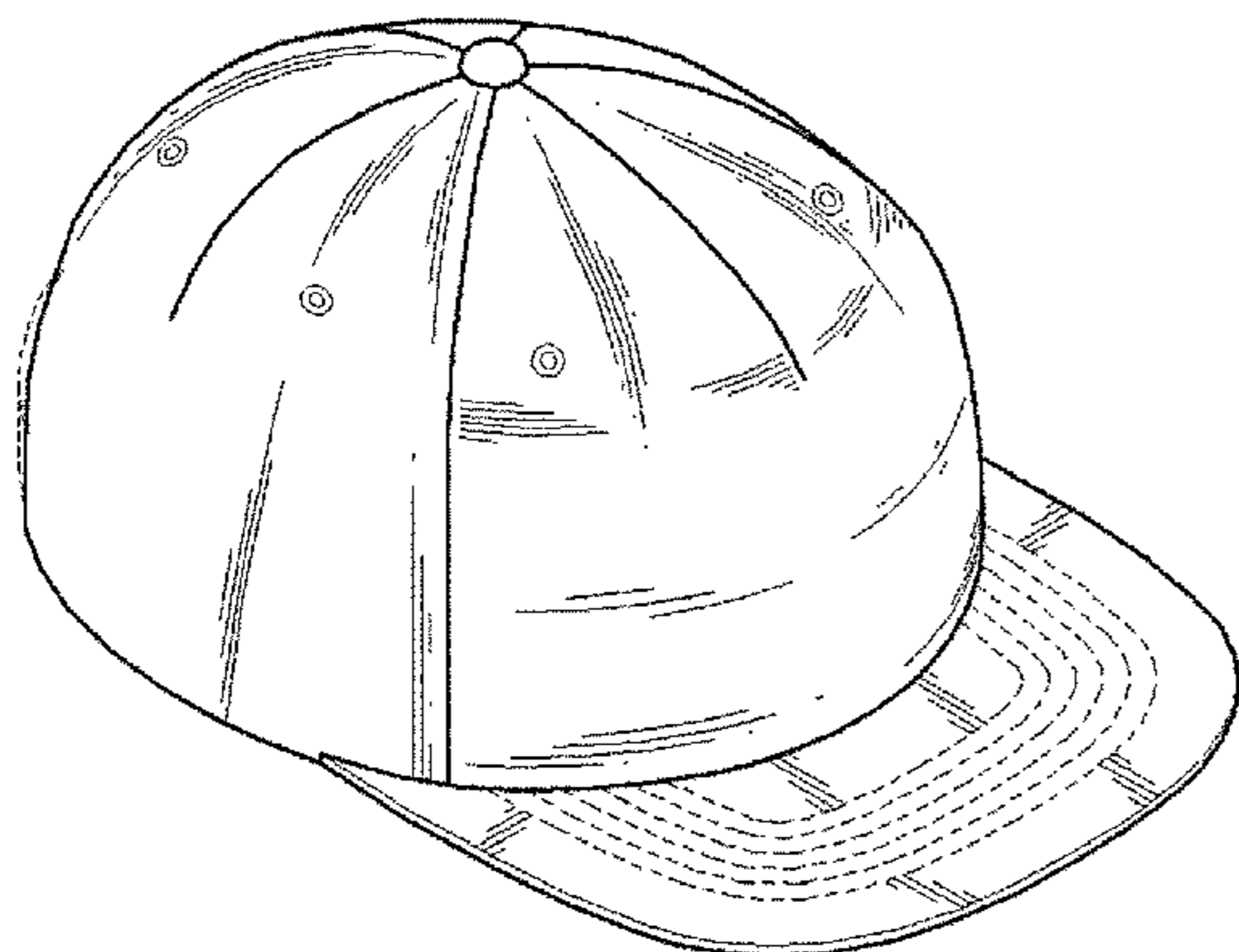


FIG. 1

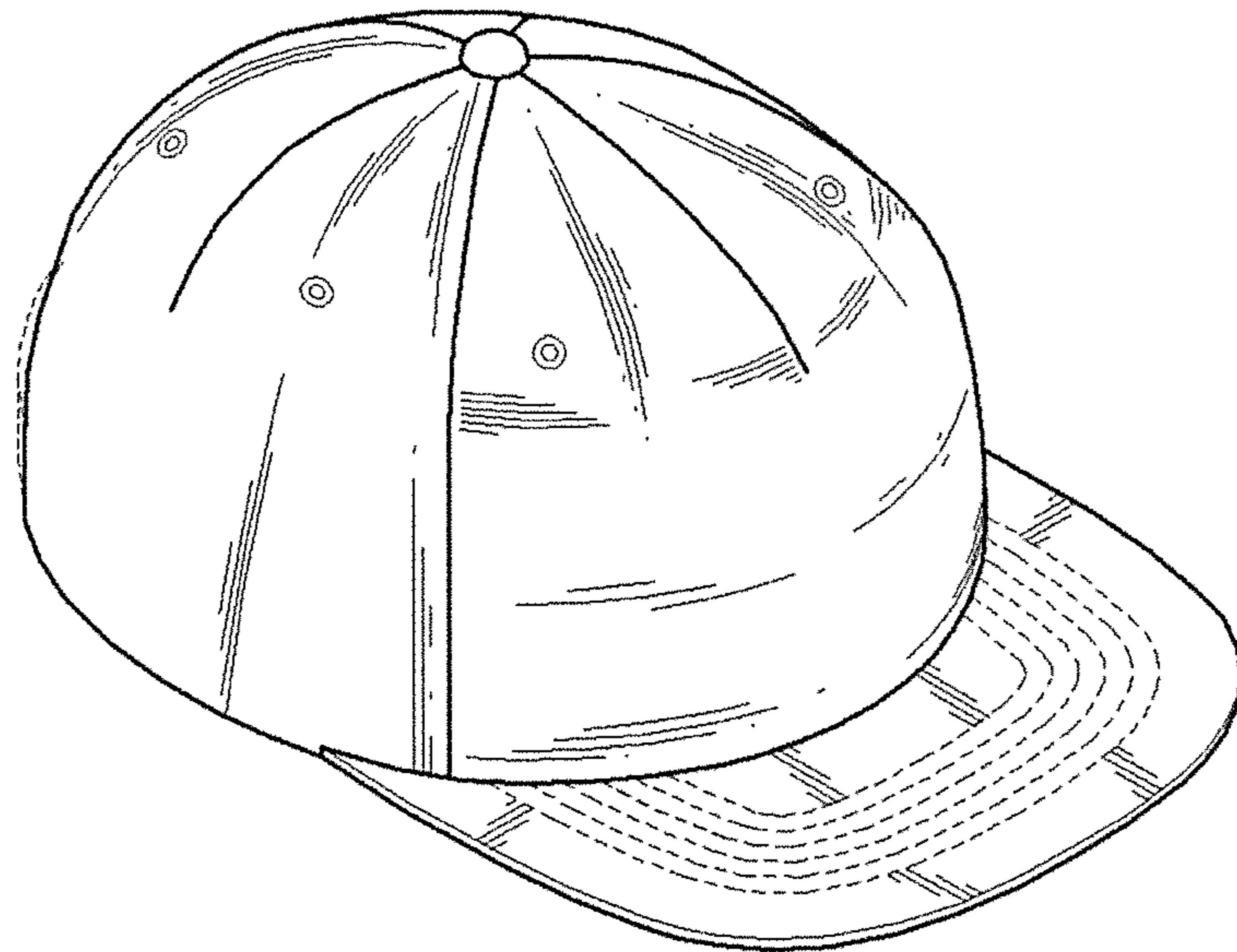


FIG. 2

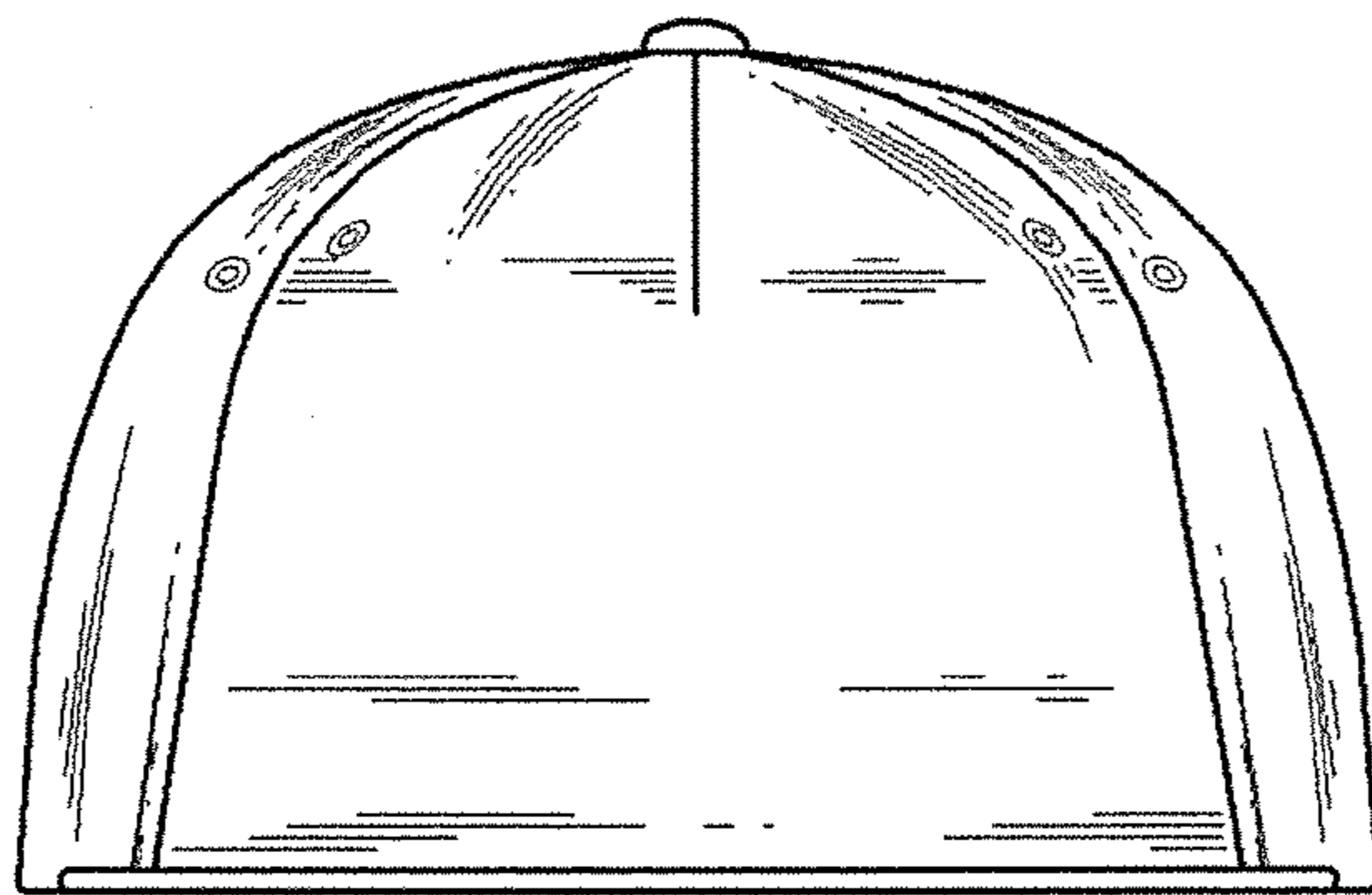


FIG. 3

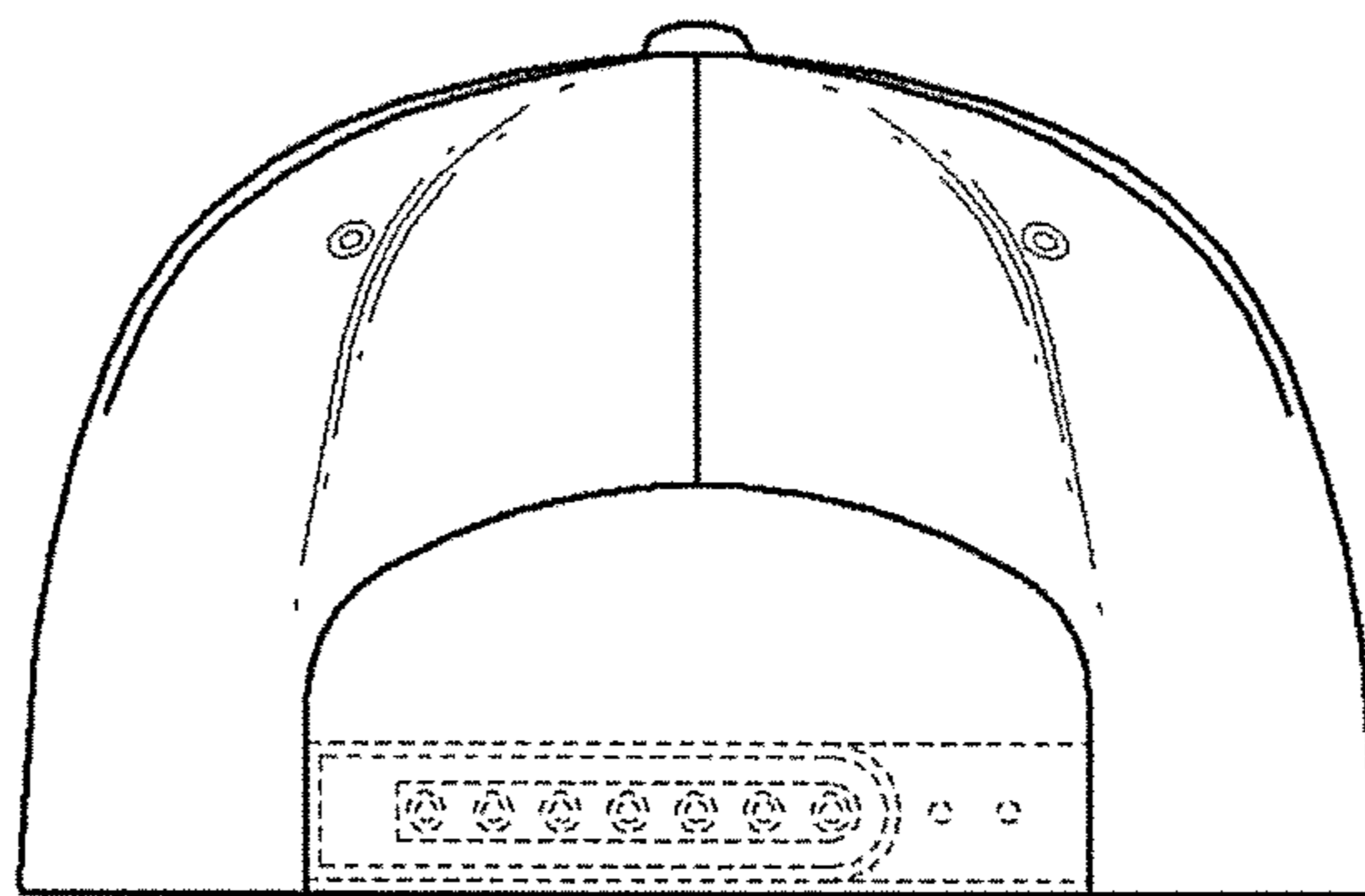


FIG. 4

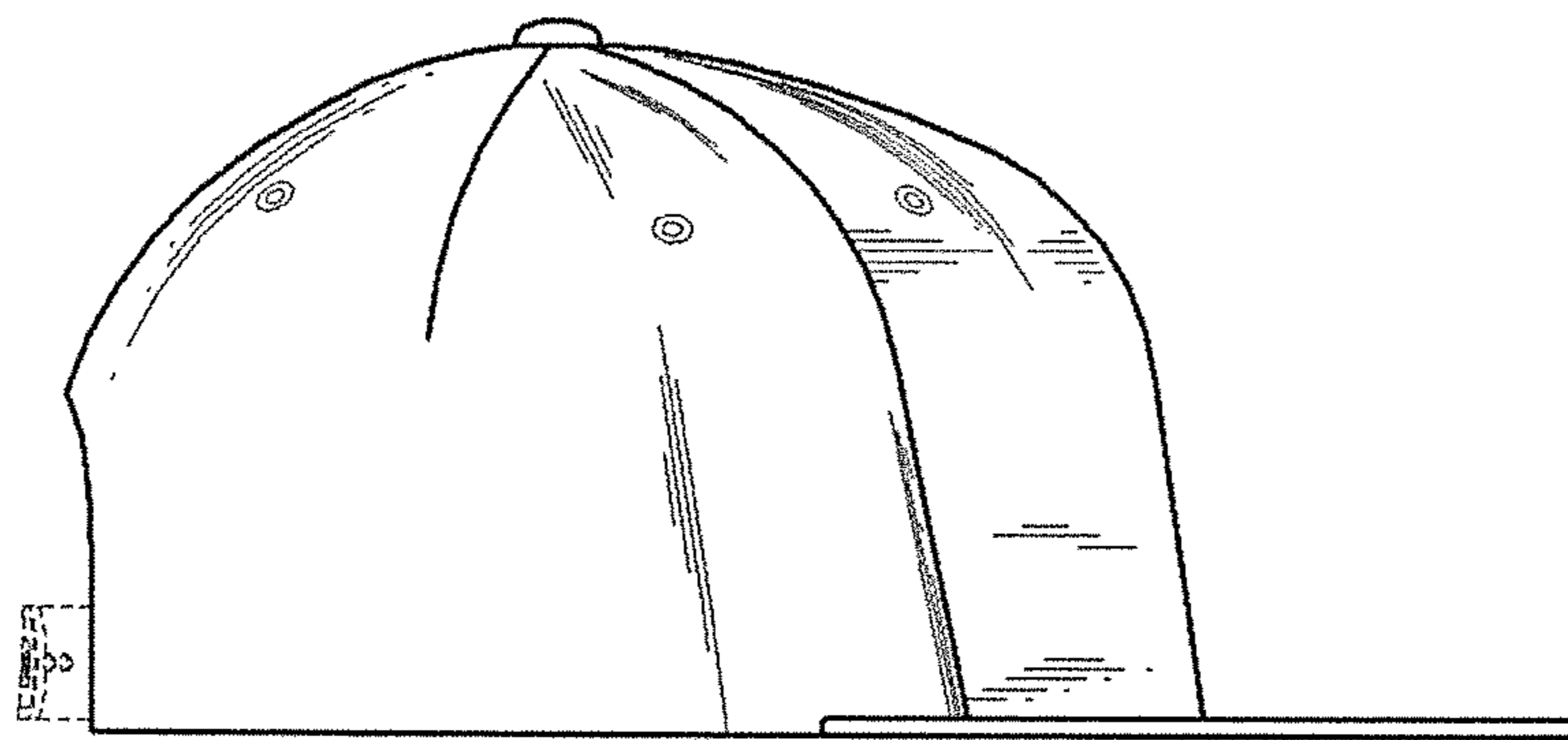


FIG. 5

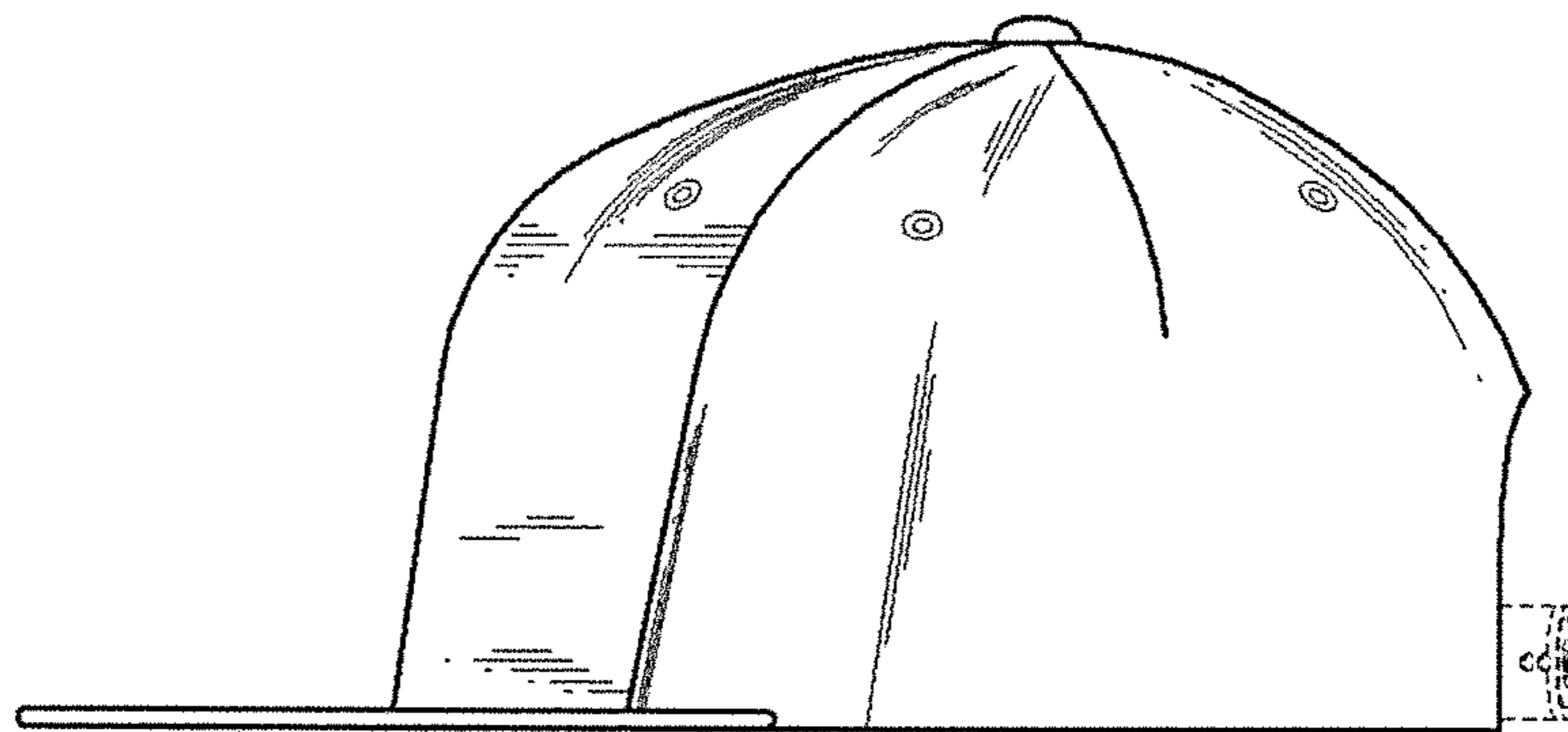


FIG. 6

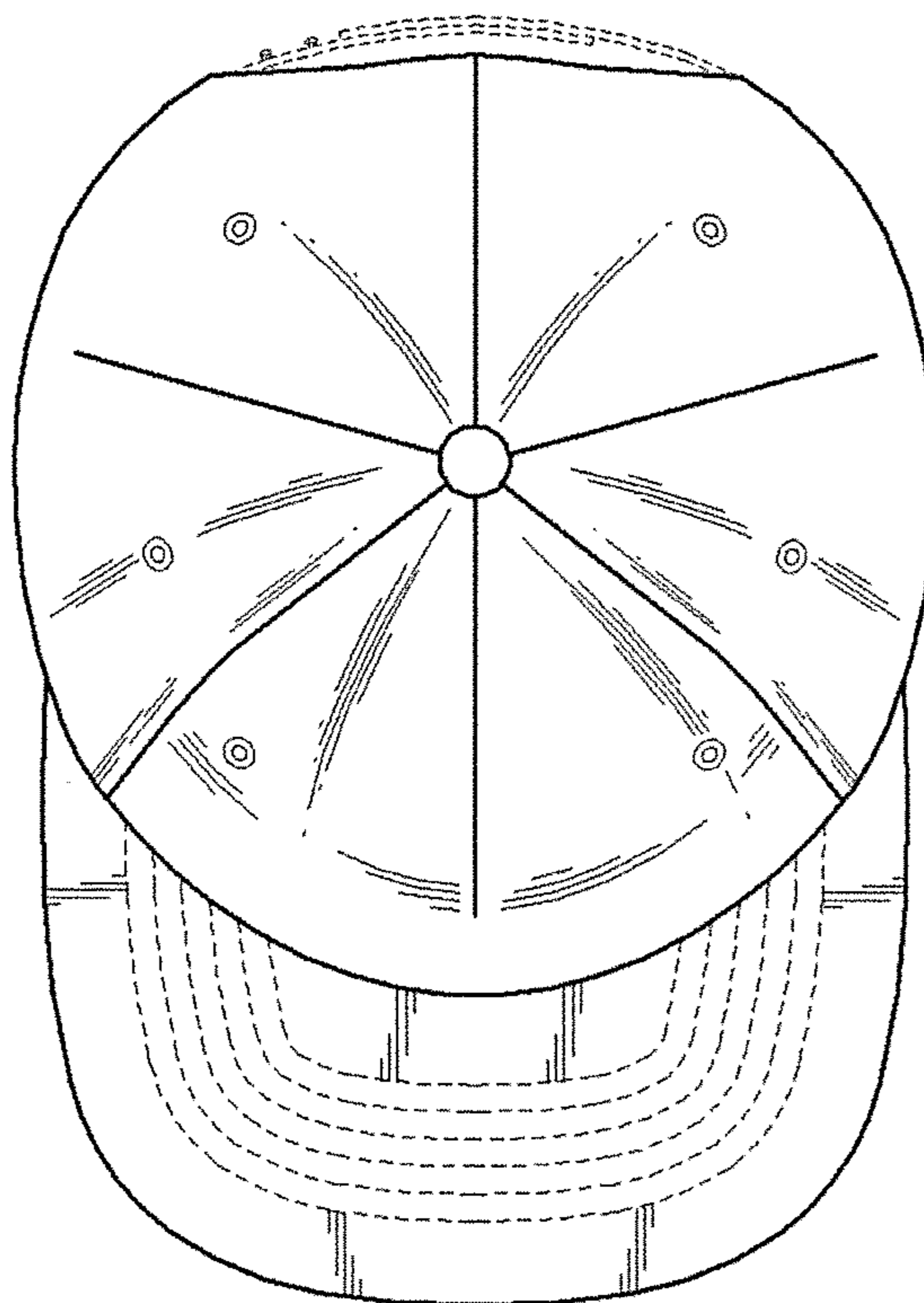


FIG. 7

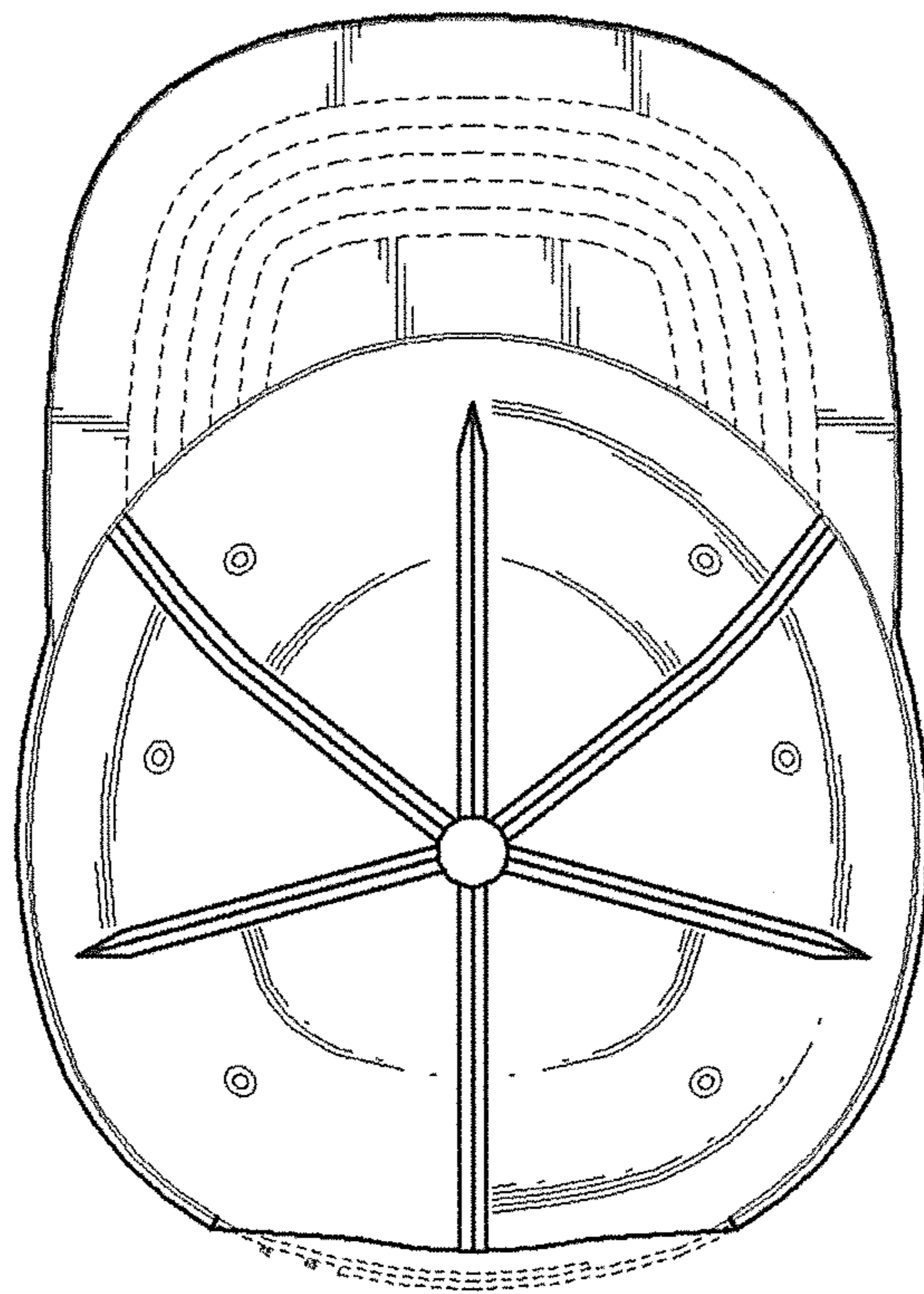


FIG. 8

