



US00D710067S

(12) **United States Design Patent**
Nearman

(10) **Patent No.:** **US D710,067 S**
(45) **Date of Patent:** **** Aug. 5, 2014**

(54) **GIRLS' MODESTY PANTS**

(71) Applicant: **Sandra Nearman**, Boca Raton, FL (US)

(72) Inventor: **Sandra Nearman**, Boca Raton, FL (US)

(**) Term: **14 Years**

(21) Appl. No.: **29/434,236**

(22) Filed: **Oct. 11, 2012**

(51) **LOC (10) Cl.** **02-01**

(52) **U.S. Cl.**

USPC **D2/712**

(58) **Field of Classification Search**

USPC D2/712, 713, 714, 715, 716, 731, 736,
D2/737, 738, 739, 742, 860, 863, 862,
D2/864; D24/124, 125, 126; 2/67, 400,
2/401, 402, 403, 404, 405, 406, 407,
2/408; 604/385.01, 396

See application file for complete search history.

(56) **References Cited**

U.S. PATENT DOCUMENTS

2,319,138 A * 5/1943 Kneibler 2/234
D211,232 S * 6/1968 Tenusiak D2/704
D243,561 S * 3/1977 Alvarez D2/713
D494,738 S * 8/2004 Kirkup D2/712
6,807,685 B1 * 10/2004 Hasegawa et al. 2/406
D505,753 S * 5/2005 Qvortrup D29/100

7,195,619 B2 * 3/2007 Manasek 604/385.01
D641,955 S * 7/2011 Toratani D2/712
D657,937 S * 4/2012 Jones et al. D2/712

OTHER PUBLICATIONS

US Trademark Application 85780960, for "UndieShorts," filed Nov. 20, 2012. First use in commerce date: May 13, 2012.*
Undie Shorts [on-line]; posted on the Internet as early as Jun. 4, 2012; retrieved from the Internet on Jul. 14, 2013. URL: ><http://web.archive.org/web/20120604002756/http://www.undieshorts.com/product.html><. (1 page).*

* cited by examiner

Primary Examiner — Karen E Eldridge Powers

(57) **CLAIM**

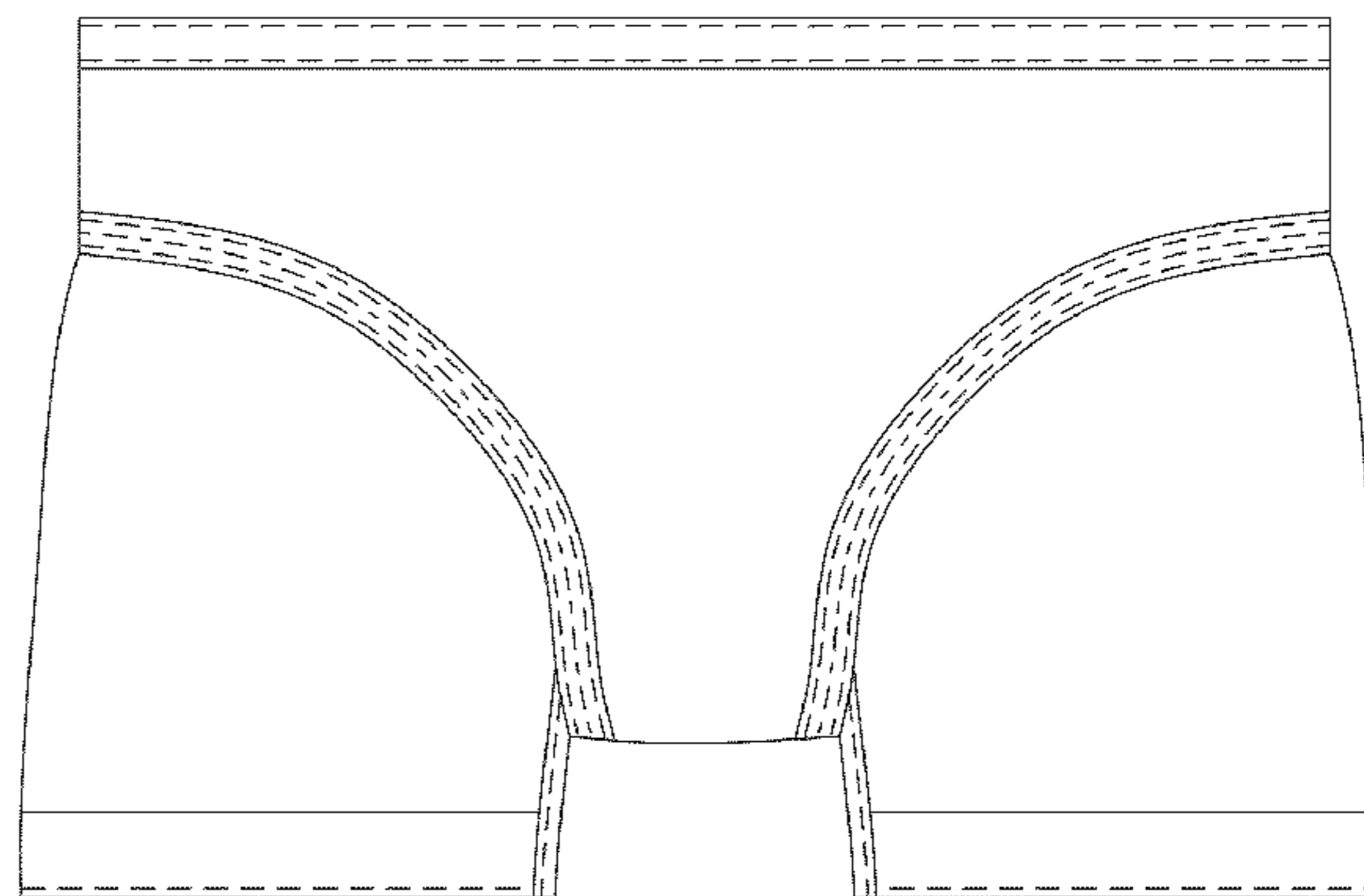
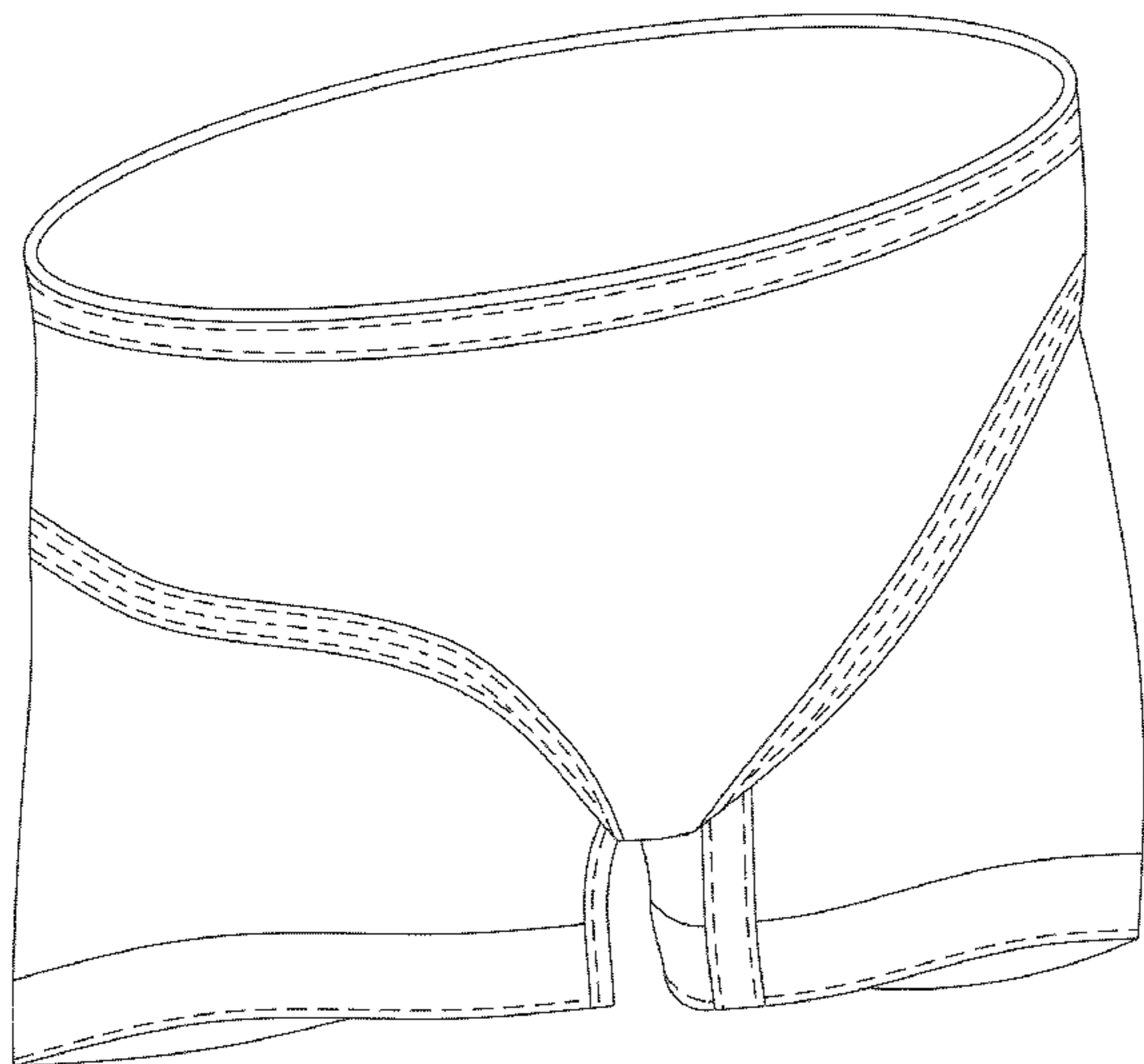
I claim the ornamental design for girls' modesty pants, as shown and described.

DESCRIPTION

FIG. 1 is an isometric front view of a girls modesty pants;
FIG. 2 is a front elevation view thereof;
FIG. 3 is a rear elevation view thereof;
FIG. 4 is a left side elevation view thereof;
FIG. 5 is a right side elevation view thereof;
FIG. 6 is a top plan view thereof; and,
FIG. 7 is a bottom plan view thereof.

The broken lines shown in the drawings illustrate those features of the article that form no part of the claimed design.

1 Claim, 7 Drawing Sheets



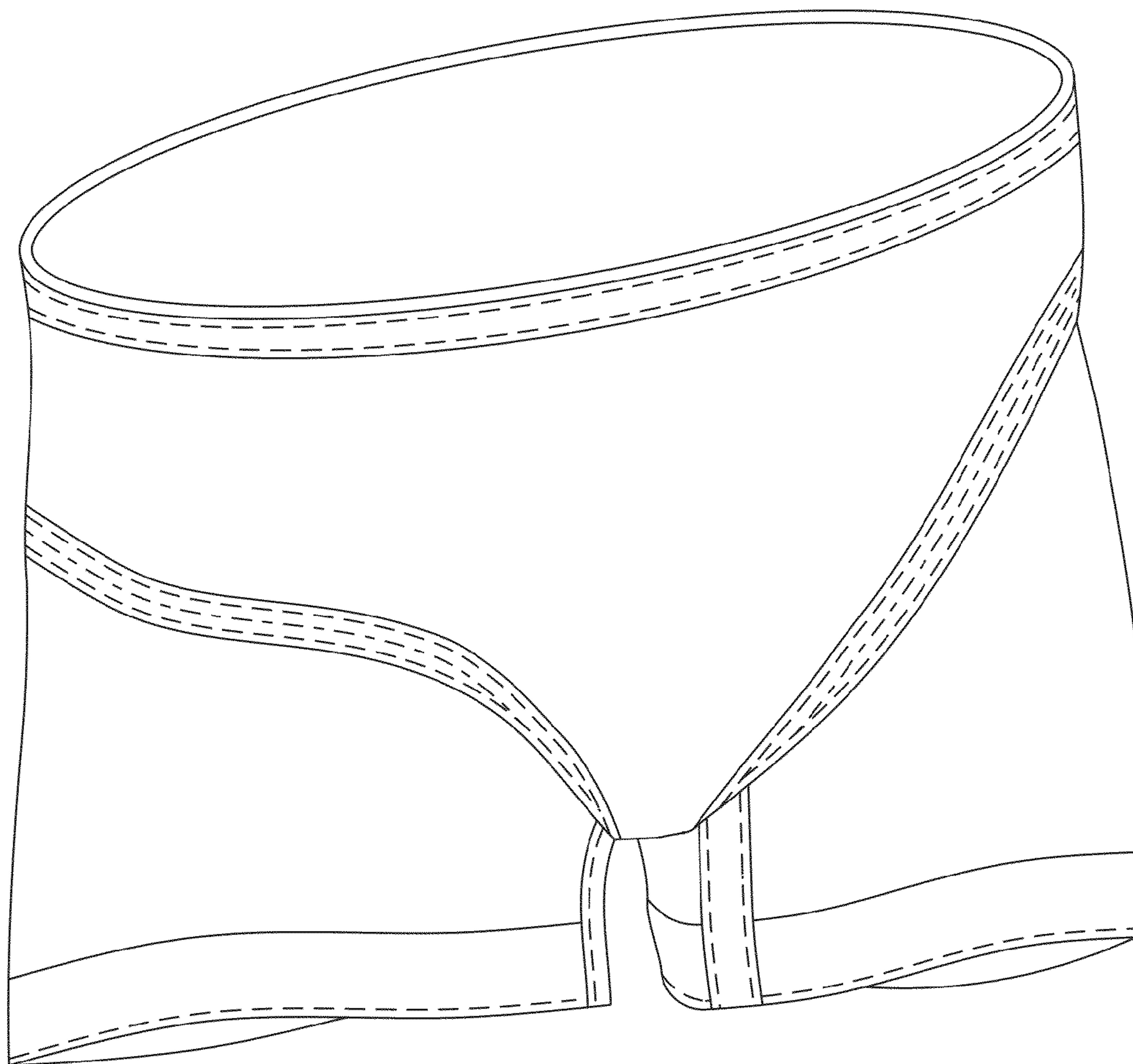


FIG. 1

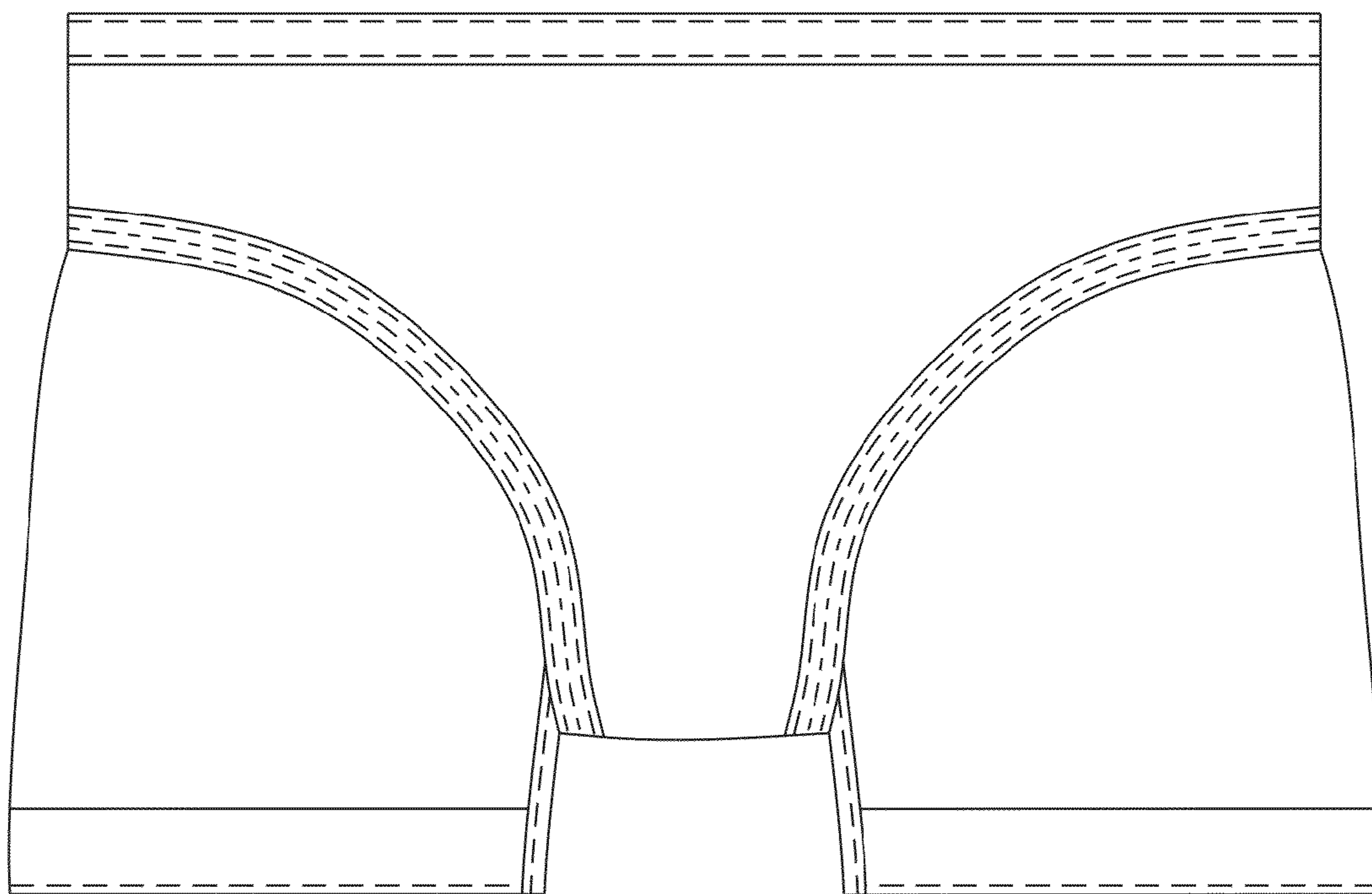


FIG. 2

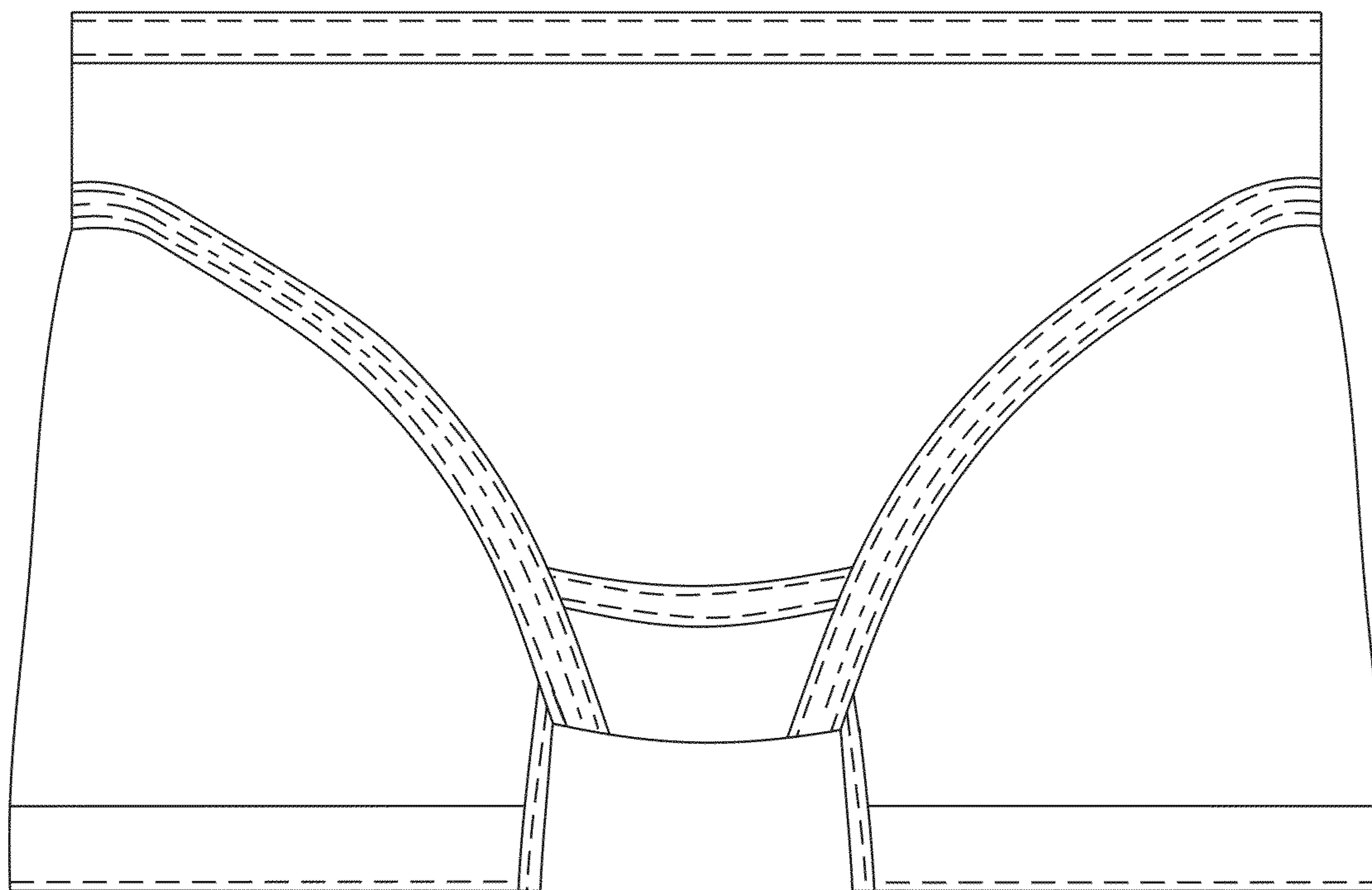


FIG. 3

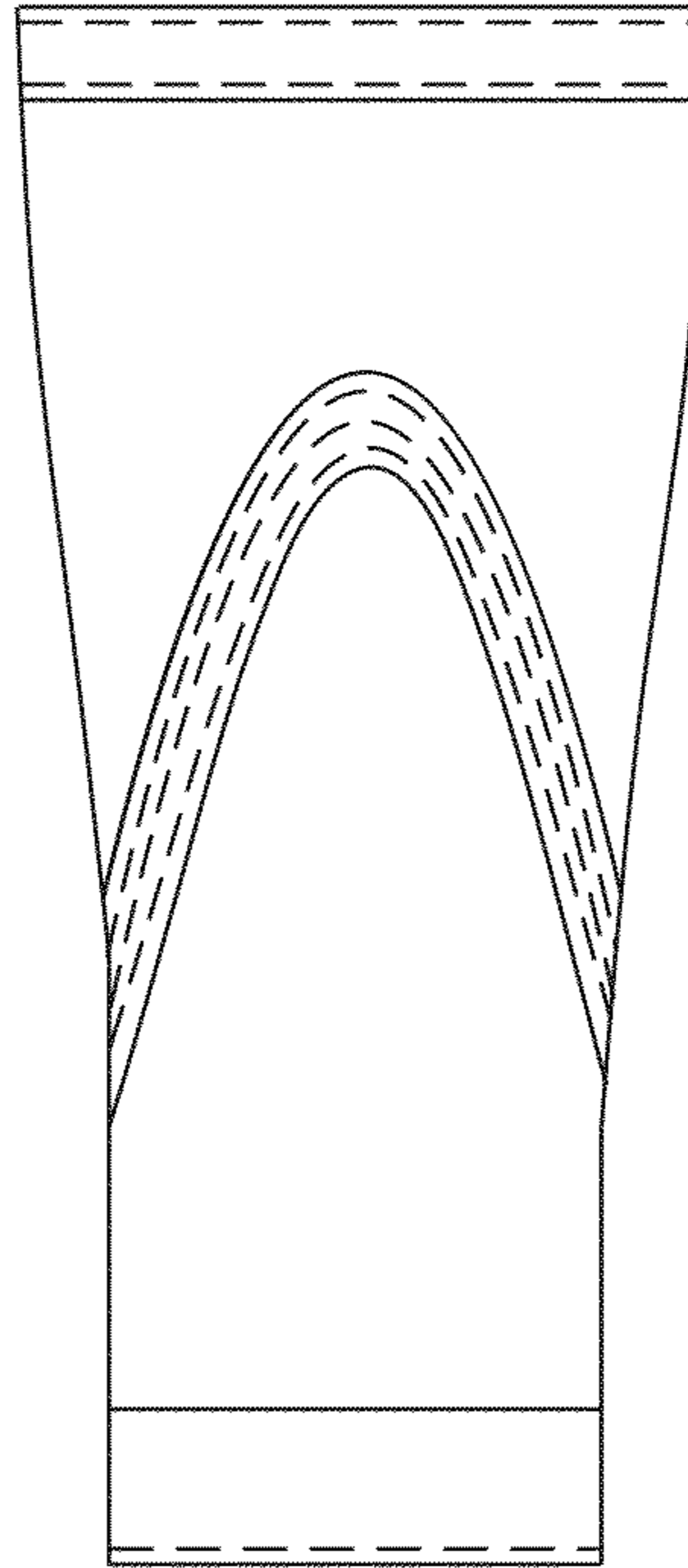


FIG. 4

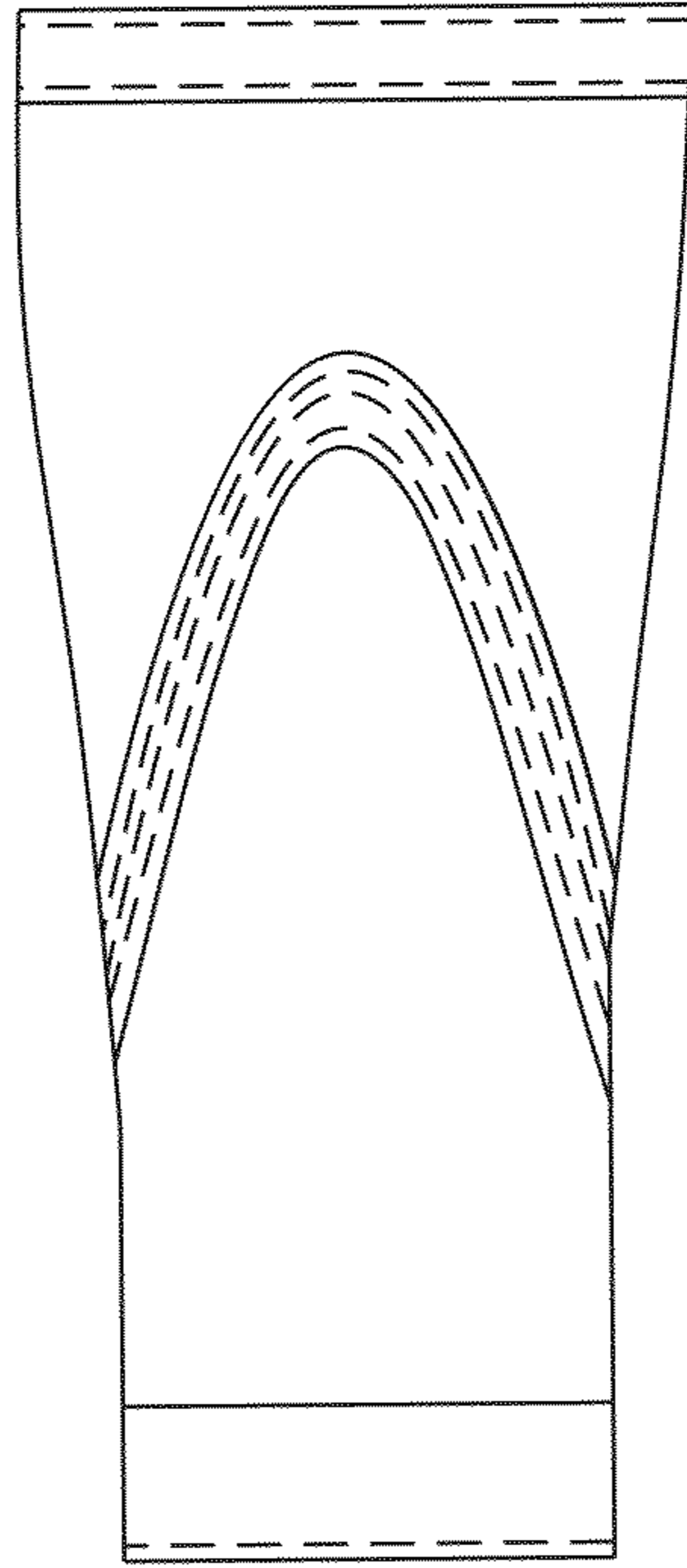


FIG. 5

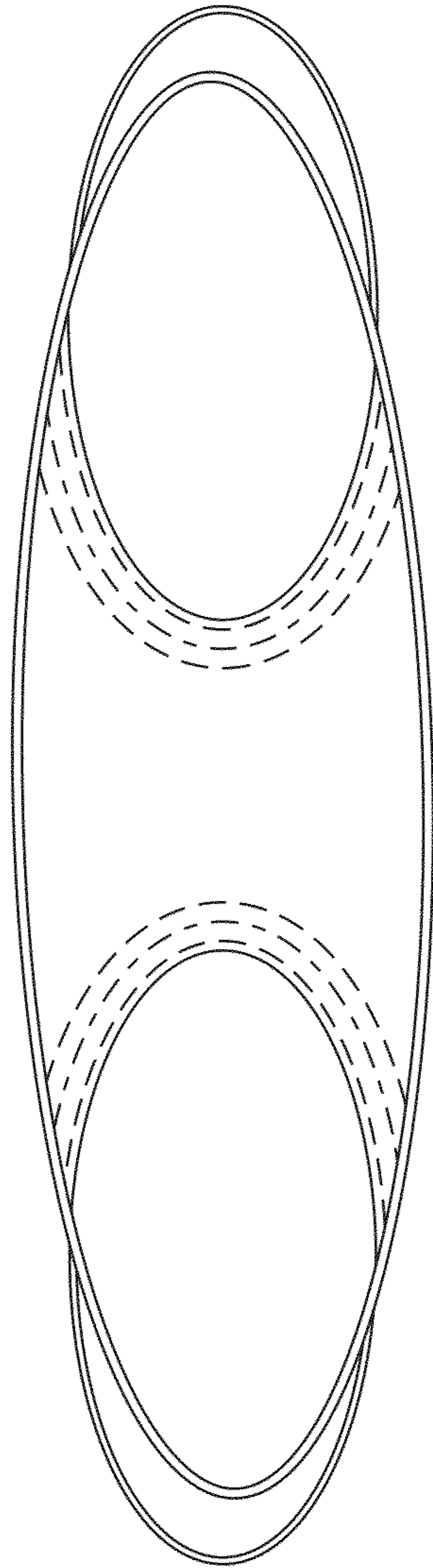


FIG. 6

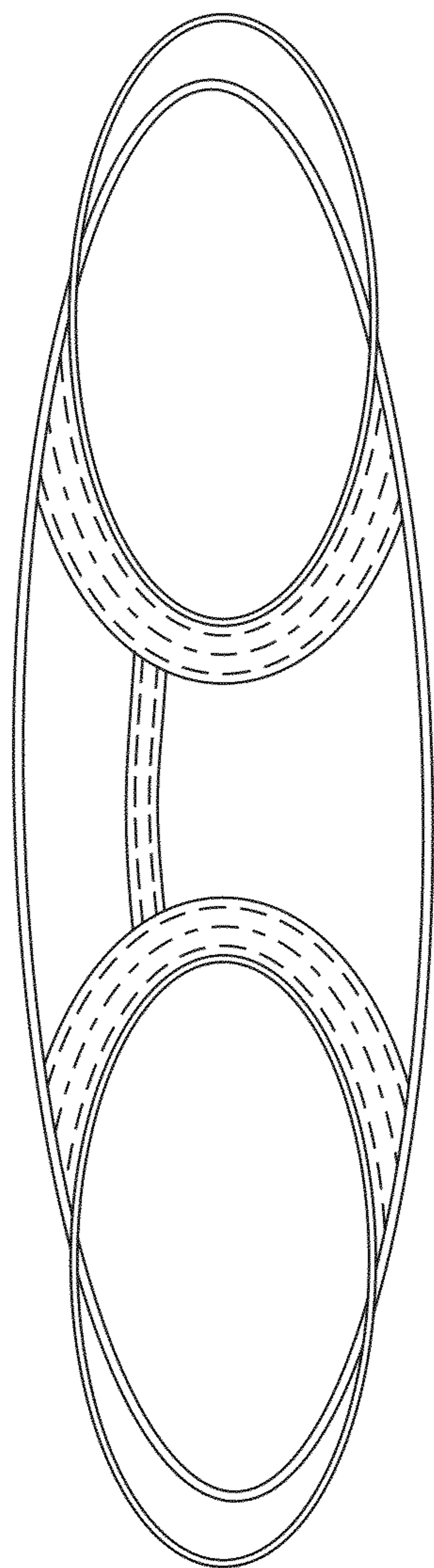


FIG. 7