



US00D710064S

(12) **United States Design Patent**  
**Schumaker et al.**

(10) **Patent No.:** **US D710,064 S**  
(45) **Date of Patent:** **\*\* Jul. 29, 2014**

- (54) **MULTI-TIER UTILITY CART**
- (71) Applicant: **Metro Industries Inc.**, Reno, NV (US)
- (72) Inventors: **Kyle Schumaker**, Plains, PA (US);  
**Cheryl Kniffin**, Mountaintop, PA (US)
- (73) Assignee: **Metro Industries Inc.**, Reno, NV (US)
- (\*\*) Term: **14 Years**
- (21) Appl. No.: **29/444,794**
- (22) Filed: **Feb. 4, 2013**
- (51) **LOC (10) Cl.** ..... **12-02**
- (52) **U.S. Cl.**  
USPC ..... **D34/17**
- (58) **Field of Classification Search**  
USPC ..... D34/12-27; 280/47.35, 641, 79.3,  
280/79.11, 47.24, 47.29, 47.34; 108/11,  
108/153, 59  
See application file for complete search history.

- D618,419 S \* 6/2010 Catron et al. .... D34/12
- D687,613 S \* 8/2013 Ho et al. .... D34/12
- 2004/0066012 A1\* 4/2004 Choi et al. .... 280/47.35

\* cited by examiner

*Primary Examiner* — Cynthia Ramirez

(74) *Attorney, Agent, or Firm* — Fitzpatrick, Cella, Harper & Scinto

(57) **CLAIM**

The ornamental design for a multi-tier utility cart, as shown and described.

**DESCRIPTION**

FIG. 1 is a perspective view of a multi-tier utility cart in accordance with an embodiment of the present invention, FIG. 2 is a rear elevational view of the multi-tier utility cart as shown in FIG. 1.

FIG. 3 is a front side elevational view of the multi-tier utility cart as shown in FIG. 1.

FIG. 4 is a right side elevational view of the multi-tier utility cart as shown in FIG. 1.

FIG. 5 is a left side elevational view of the multi-tier utility cart as shown in FIG. 1.

FIG. 6 is a top plan view of the multi-tier utility cart as shown in FIG. 1.

FIG. 7 is a bottom plan view of the multi-tier utility cart as shown in FIG. 1.

FIG. 8 is top plan view of the lower shelves of the multi-tier utility cart as shown in FIG. 1; and,

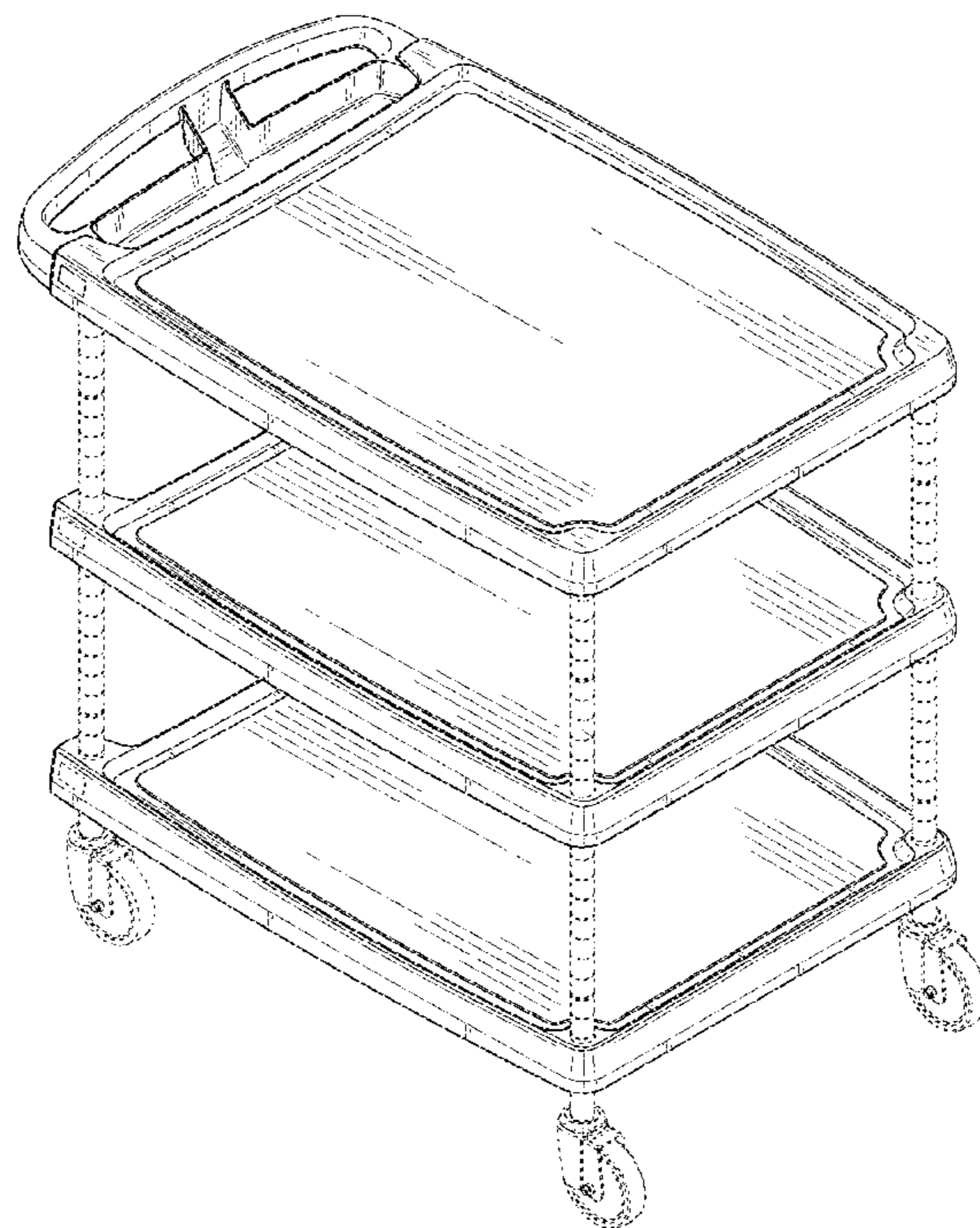
FIG. 9 is a perspective view of the lower shelves of a multi-tier utility cart as shown in FIG. 1.

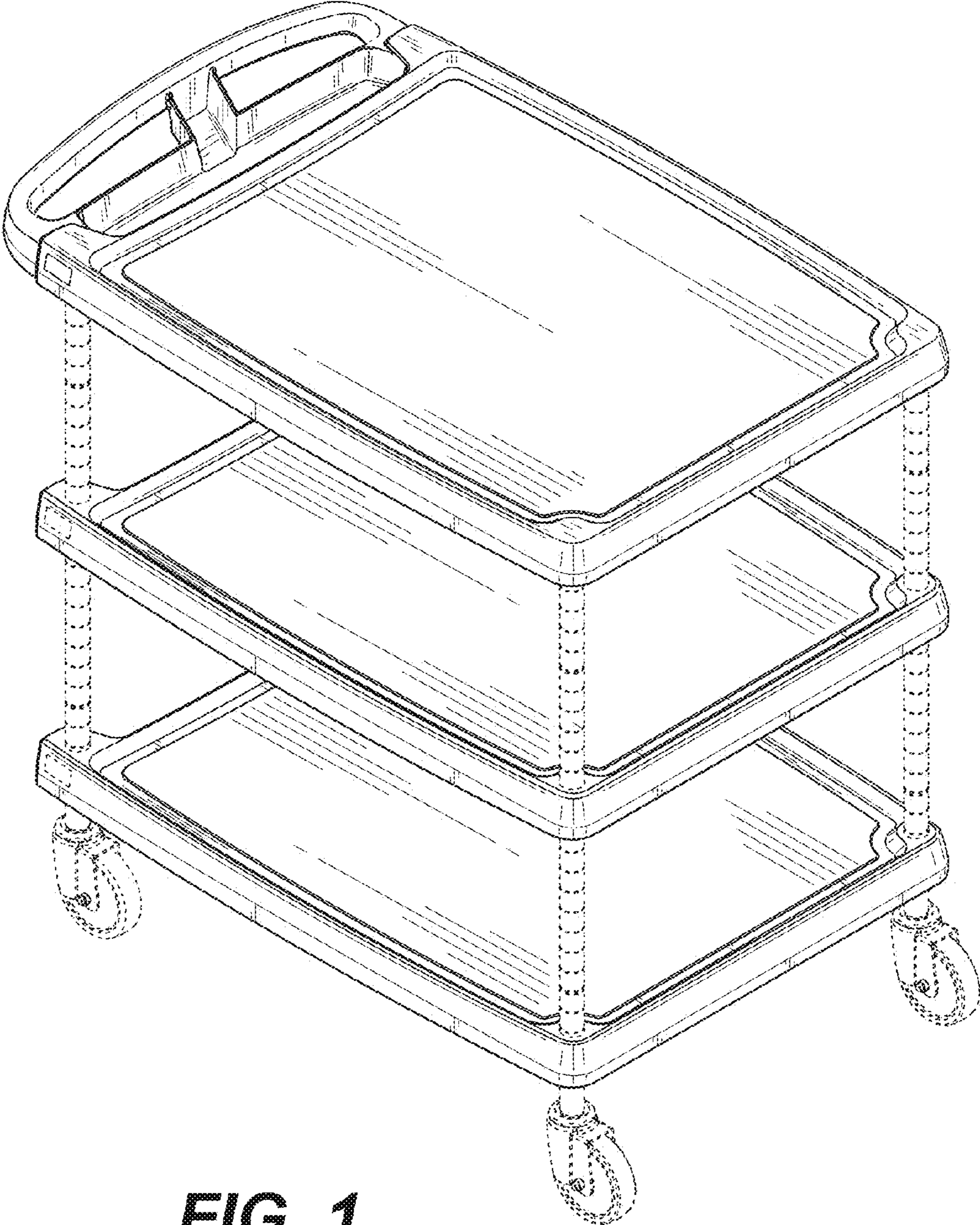
(56) **References Cited**

U.S. PATENT DOCUMENTS

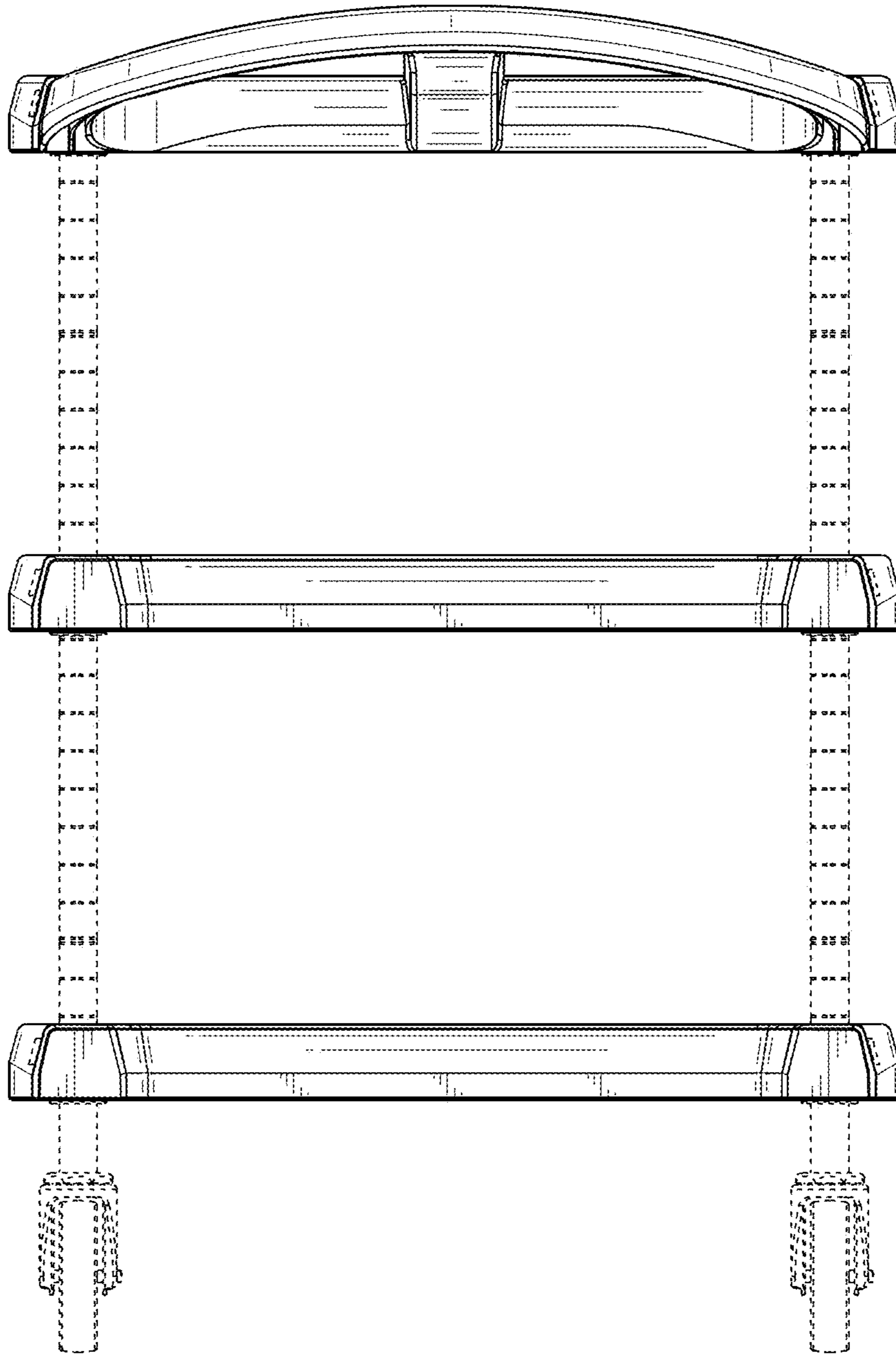
- 2,886,186 A \* 5/1959 Hamilton ..... 108/189
- D344,382 S \* 2/1994 Conaway et al. .... D34/21
- D381,168 S \* 7/1997 Delmerico et al. .... D34/21
- D391,032 S \* 2/1998 Delmerico ..... D34/21
- 5,839,739 A \* 11/1998 Shannon et al. .... 280/47.35
- D493,019 S \* 7/2004 Lovegrove et al. .... D34/17
- D554,323 S \* 10/2007 Roth ..... D34/12
- 7,377,538 B2 \* 5/2008 Stuart et al. .... 280/651

**1 Claim, 9 Drawing Sheets**

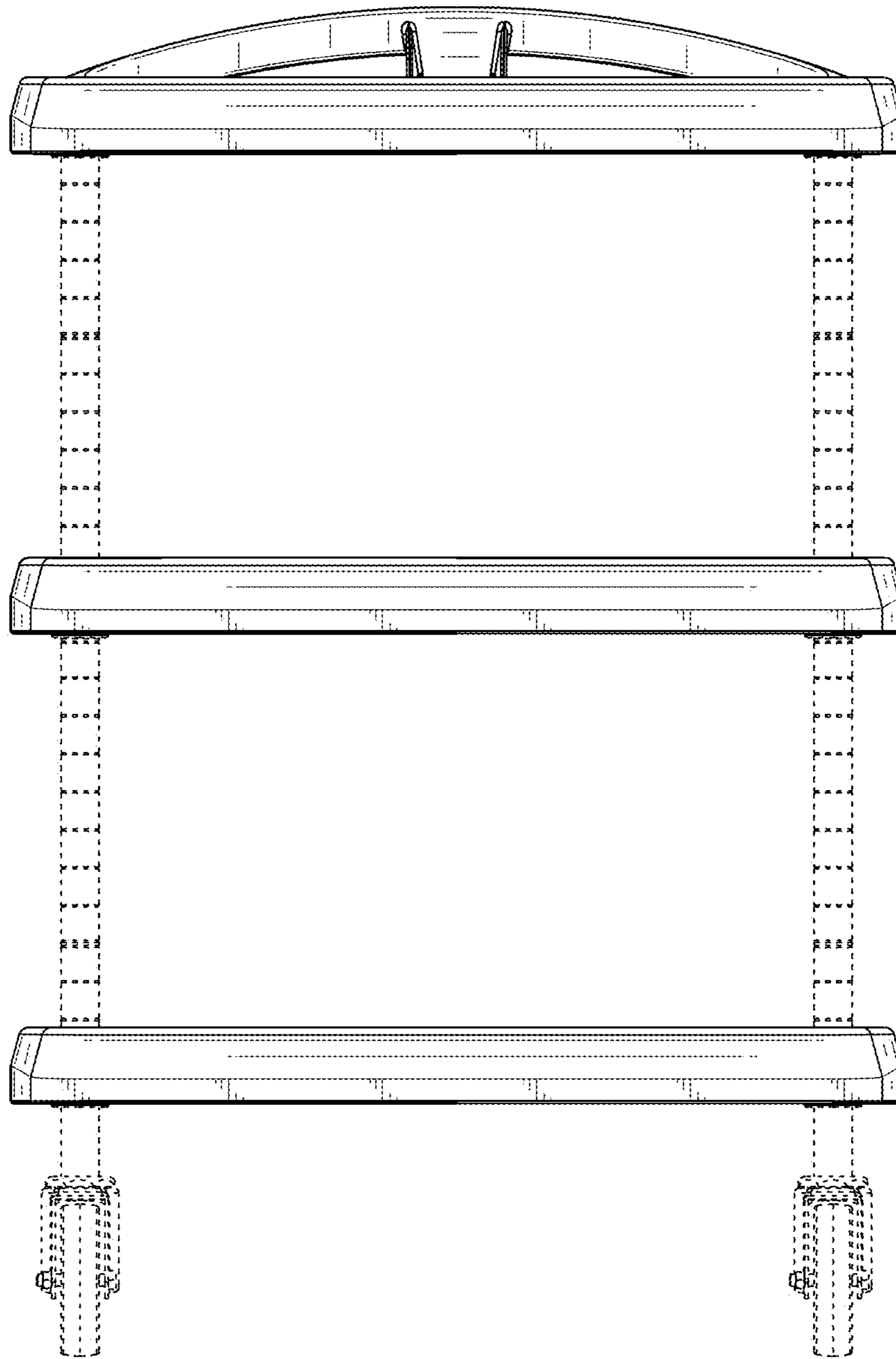




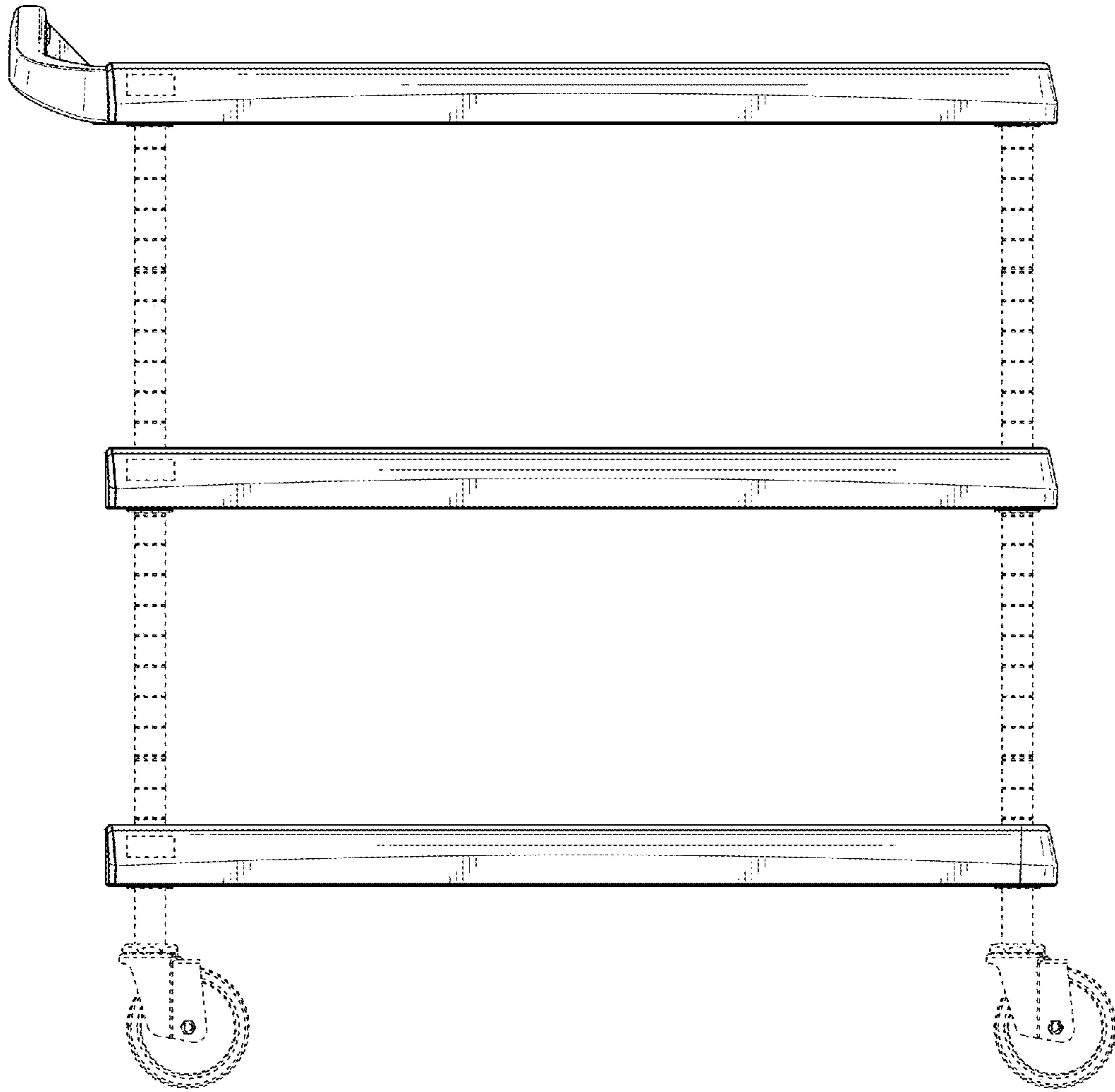
**FIG. 1**



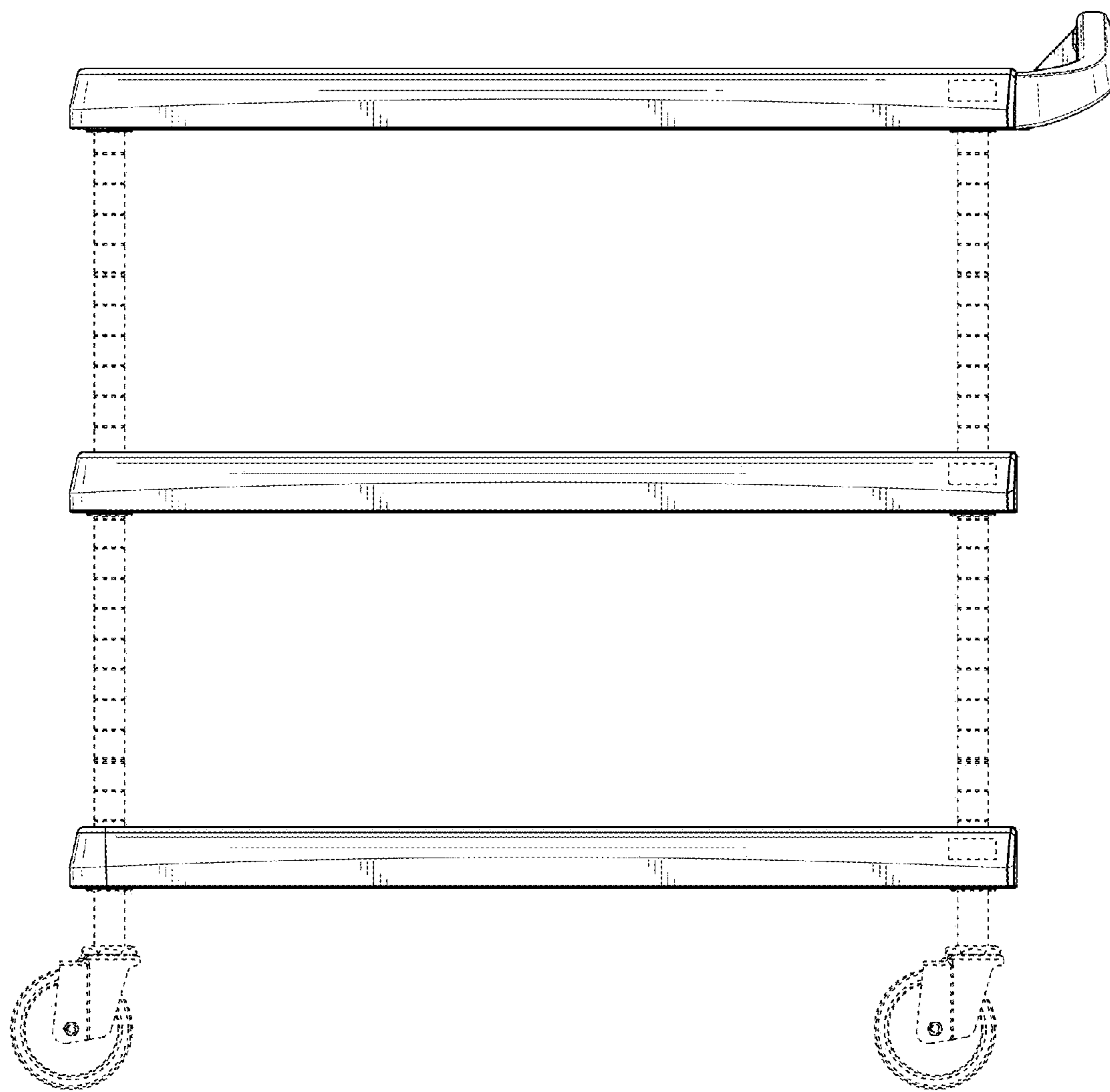
**FIG. 2**



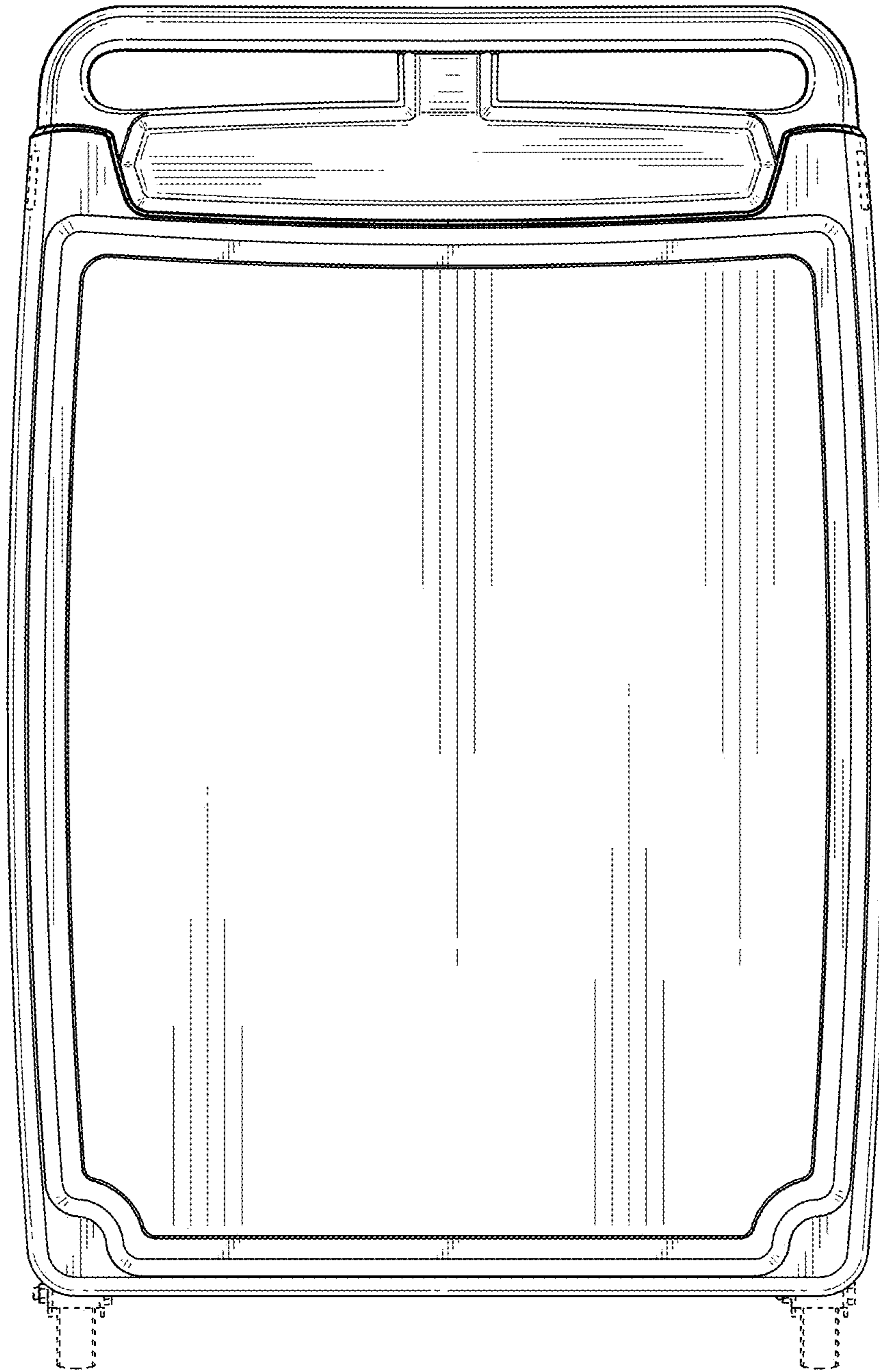
**FIG. 3**



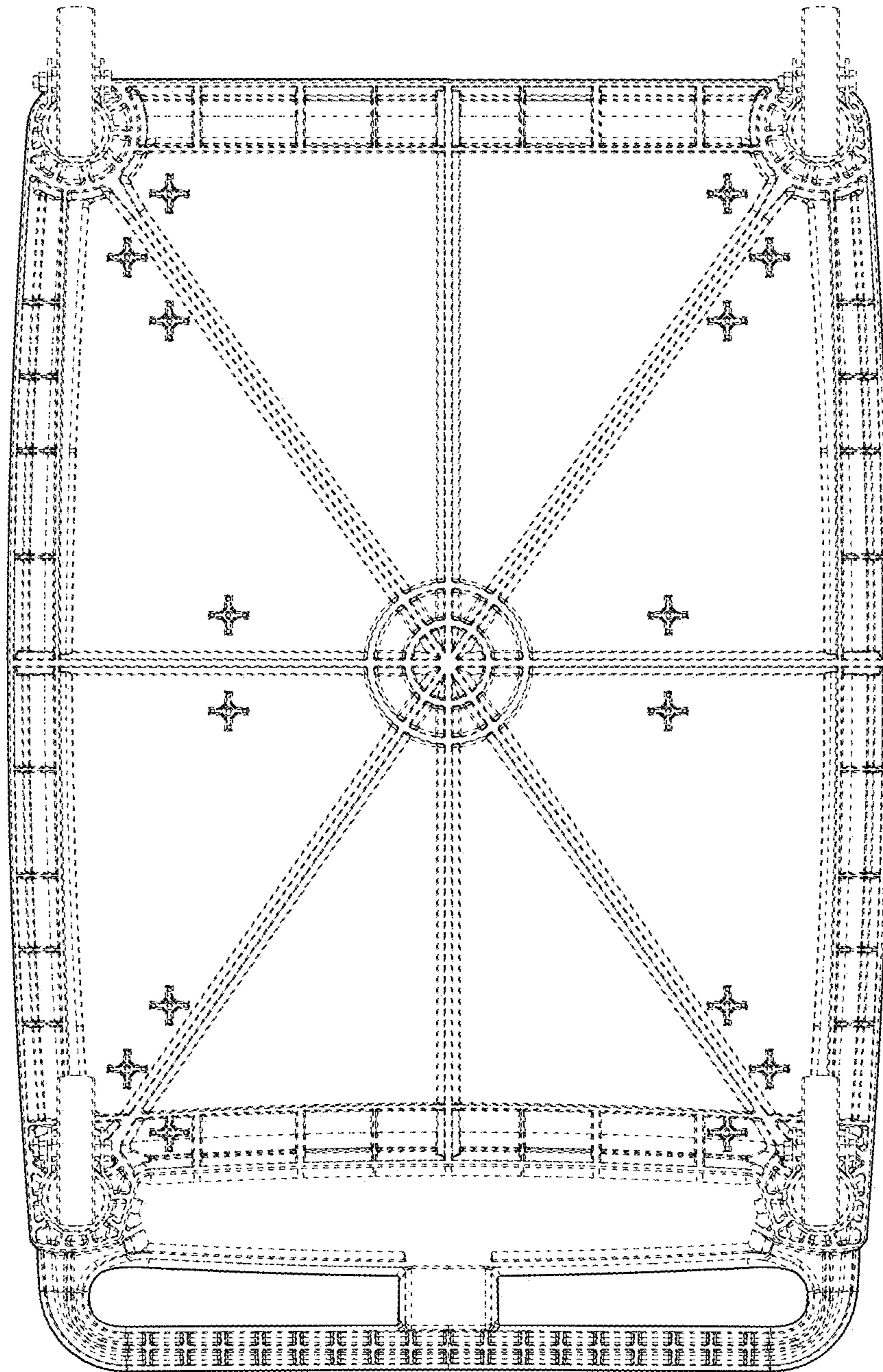
**FIG. 4**



**FIG. 5**

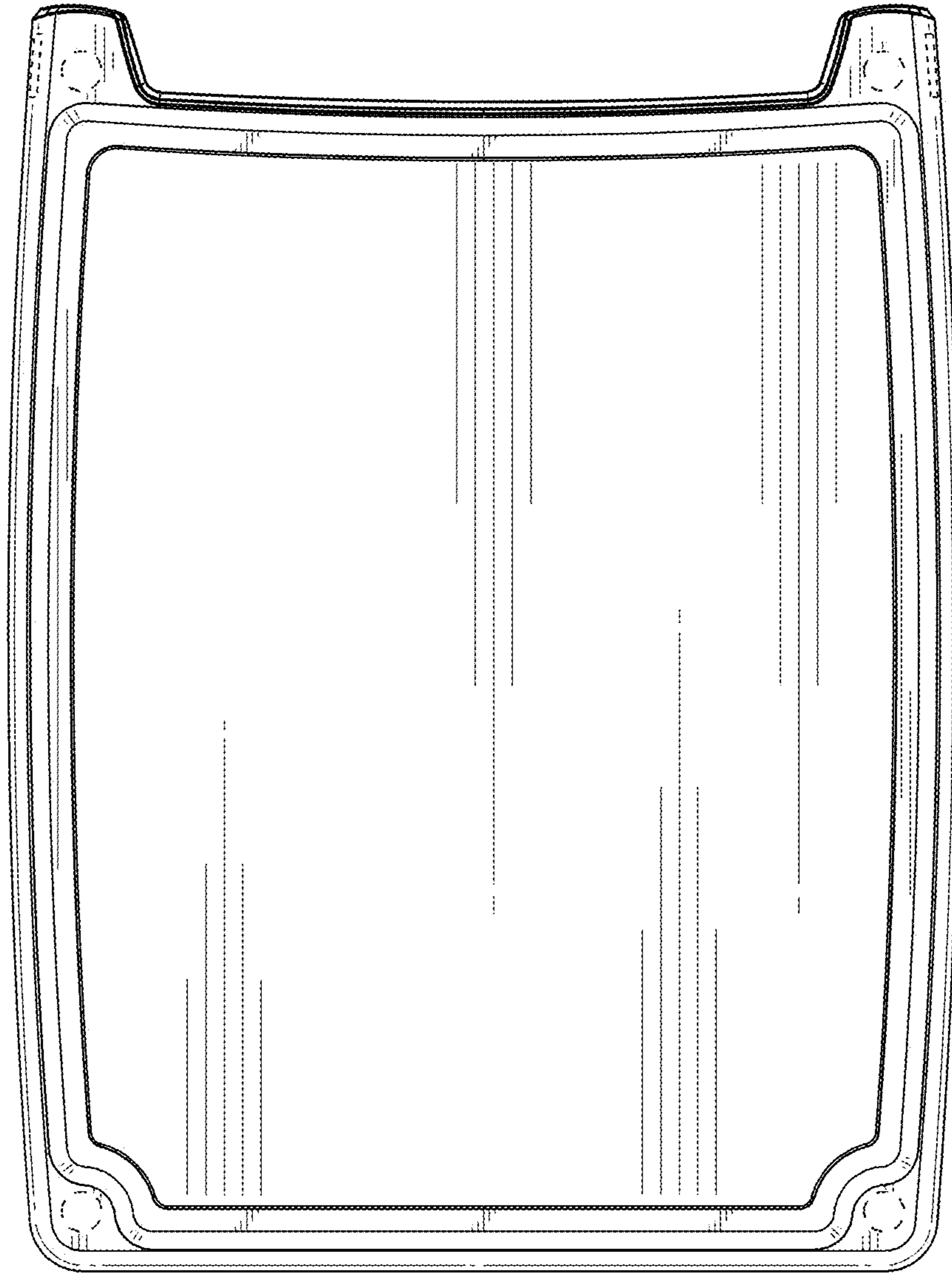


**FIG. 6**

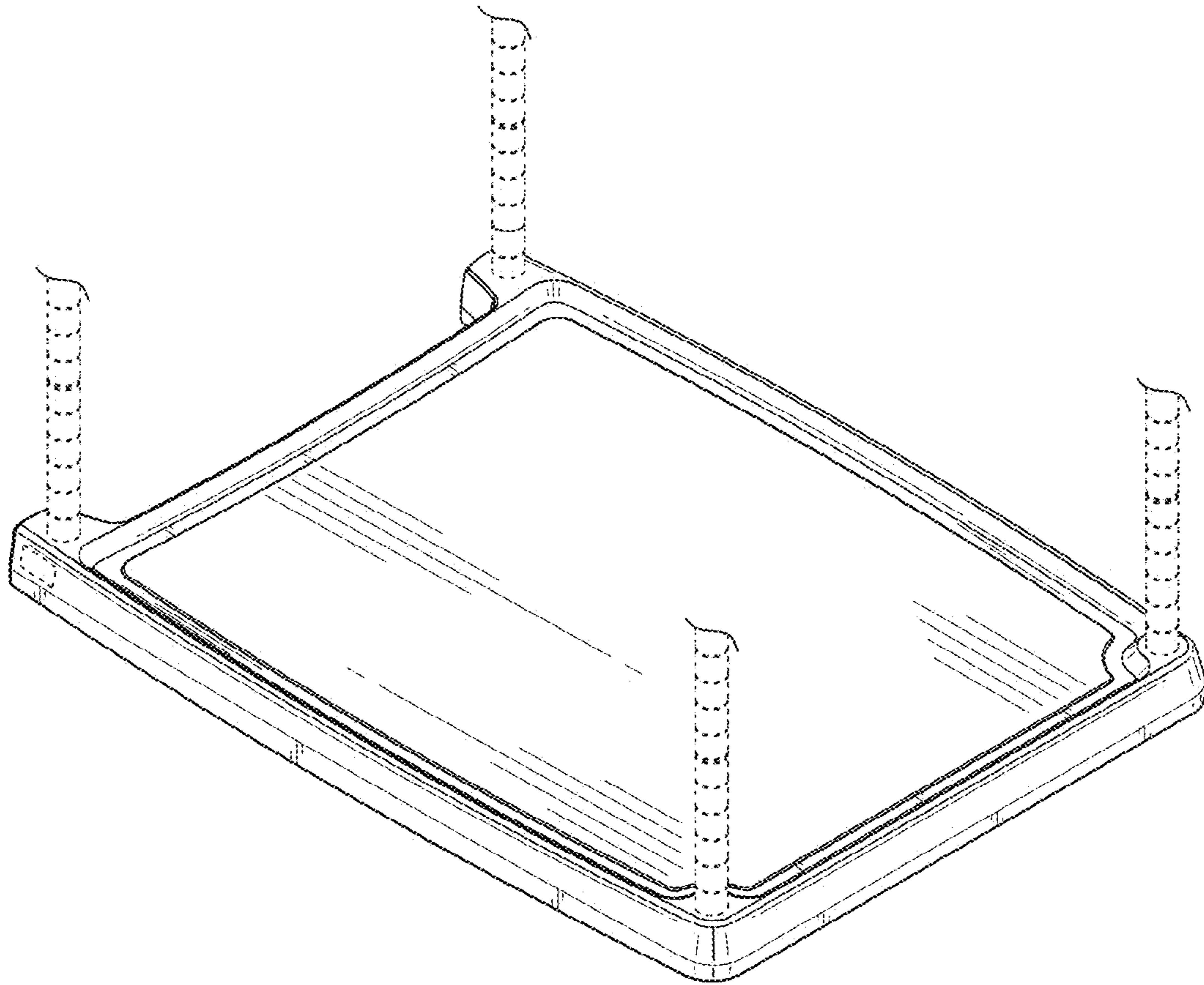


**FIG. 7**





**FIG. 8**



**FIG. 9**