



US00D710063S

(12) **United States Design Patent**  
**Senser**

(10) **Patent No.:** **US D710,063 S**  
(45) **Date of Patent:** **\*\* Jul. 29, 2014**

- (54) **RECYCLING RECEPTACLE**
- (71) Applicant: **Bernard L. Senser**, Columbus, OH (US)
- (72) Inventor: **Bernard L. Senser**, Columbus, OH (US)
- (73) Assignee: **Aluminum Can Bank of America, LLC**, Columbus, OH (US)
- (\*\*) Term: **14 Years**
- (21) Appl. No.: **29/454,679**
- (22) Filed: **May 13, 2013**
- (51) **LOC (10) CL.** ..... **09-09**
- (52) **U.S. Cl.**  
USPC ..... **D34/1**
- (58) **Field of Classification Search**  
USPC ..... D34/1-11; 220/908, 908.1, 909, 911,  
220/913  
See application file for complete search history.

- 6,508,377 B1 \* 1/2003 Griswold et al. .... 220/495.06
- D549,420 S \* 8/2007 Naber ..... D34/9
- D567,466 S \* 4/2008 Lee ..... D34/9
- D674,571 S \* 1/2013 Sakaguchi et al. .... D34/7
- 8,544,673 B1 \* 10/2013 Polk ..... 220/495.09

\* cited by examiner

*Primary Examiner* — Cynthia Ramirez

(74) *Attorney, Agent, or Firm* — Kegler Brown Hill & Ritter;  
James J. Pingor

(57) **CLAIM**

The ornamental design for a recycling receptacle, as shown and described.

**DESCRIPTION**

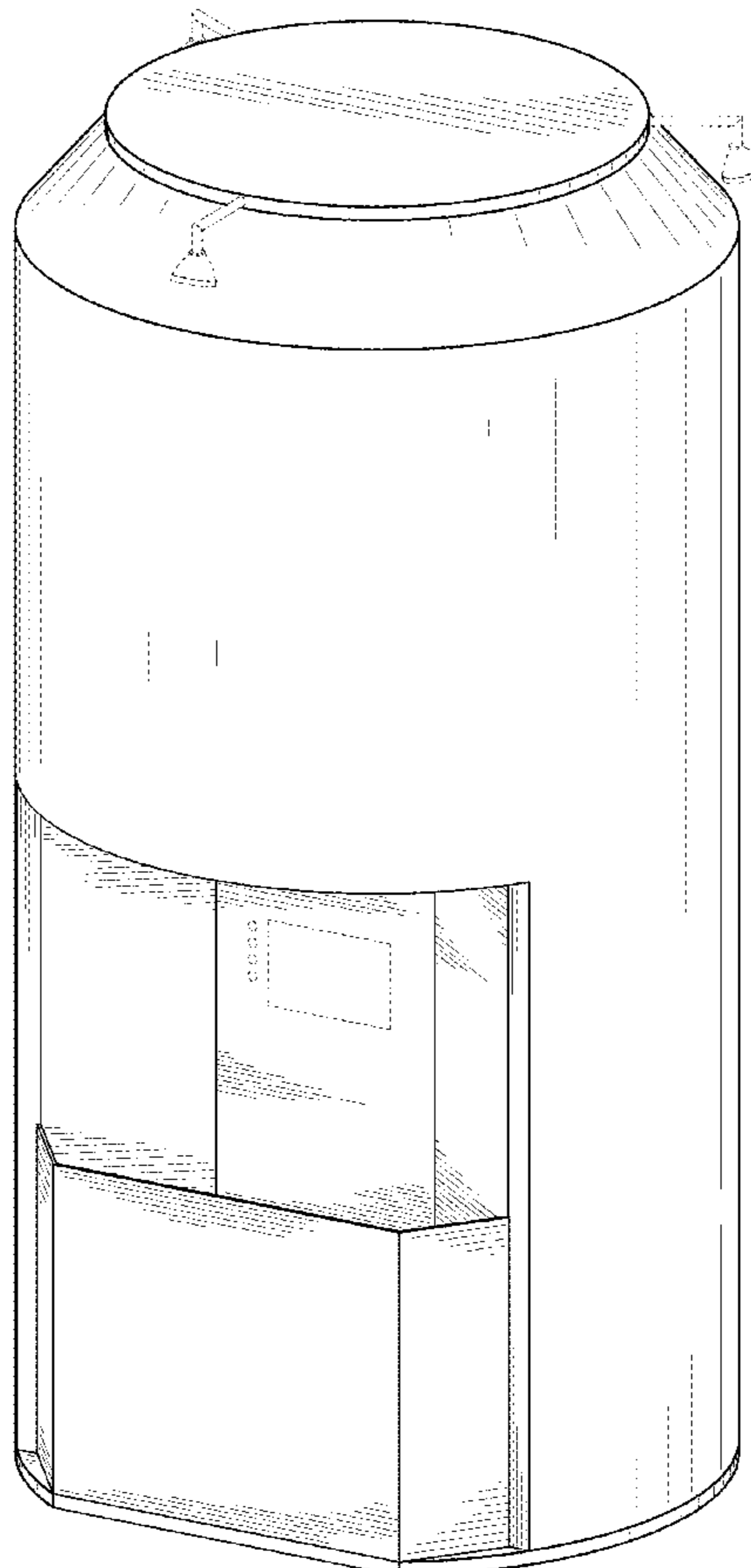
FIG. 1 is a right front perspective view of a recycling receptacle;  
 FIG. 2 is a front view thereof;  
 FIG. 3 is a rear view thereof;  
 FIG. 4 is a right side view thereof;  
 FIG. 5 is a left side view thereof;  
 FIG. 6 is a top view thereof; and,  
 FIG. 7 is a bottom view thereof.

(56) **References Cited**

U.S. PATENT DOCUMENTS

- 5,538,338 A \* 7/1996 Biggers ..... 312/319.9
- D468,507 S \* 1/2003 McGee ..... D34/7

**1 Claim, 6 Drawing Sheets**



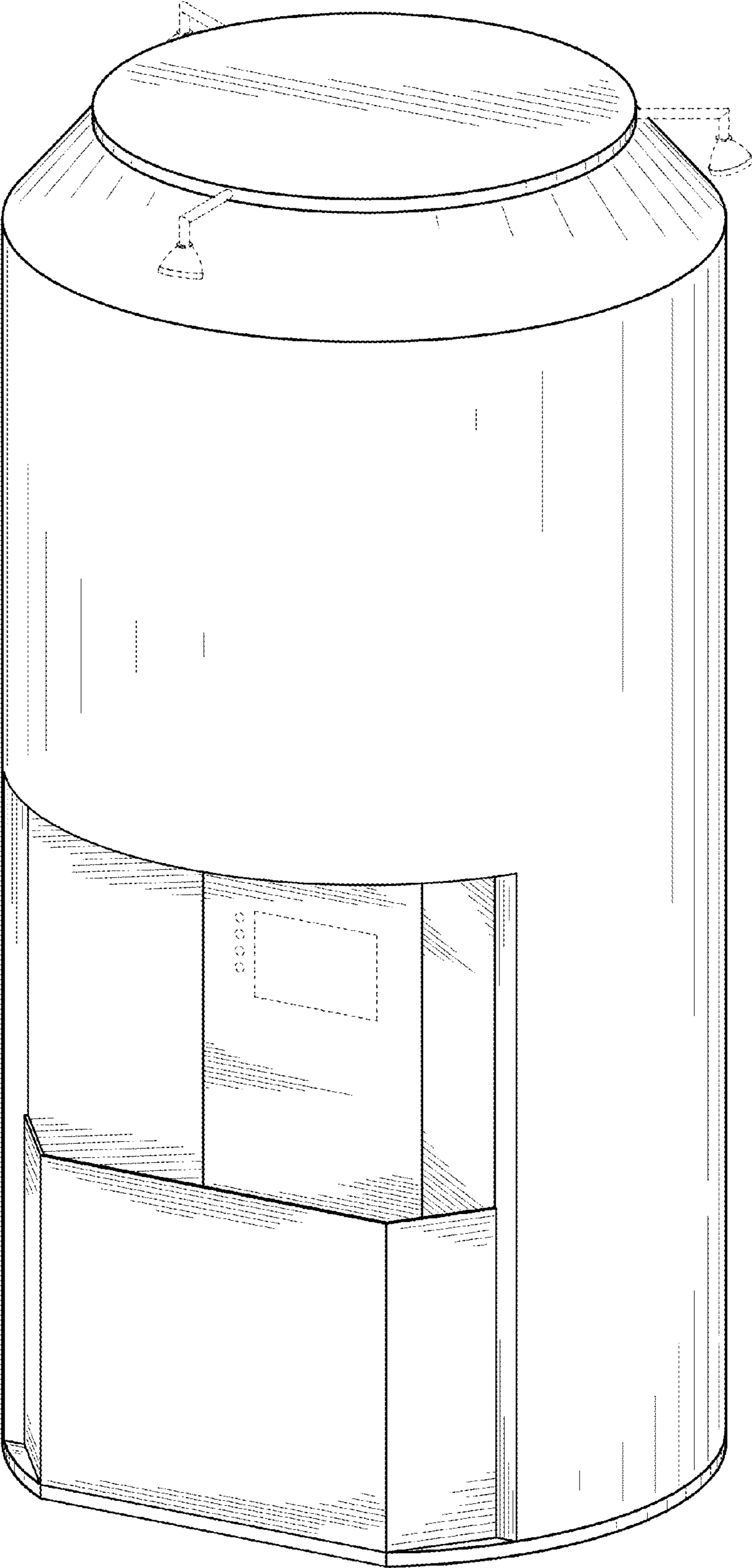


Fig. 1

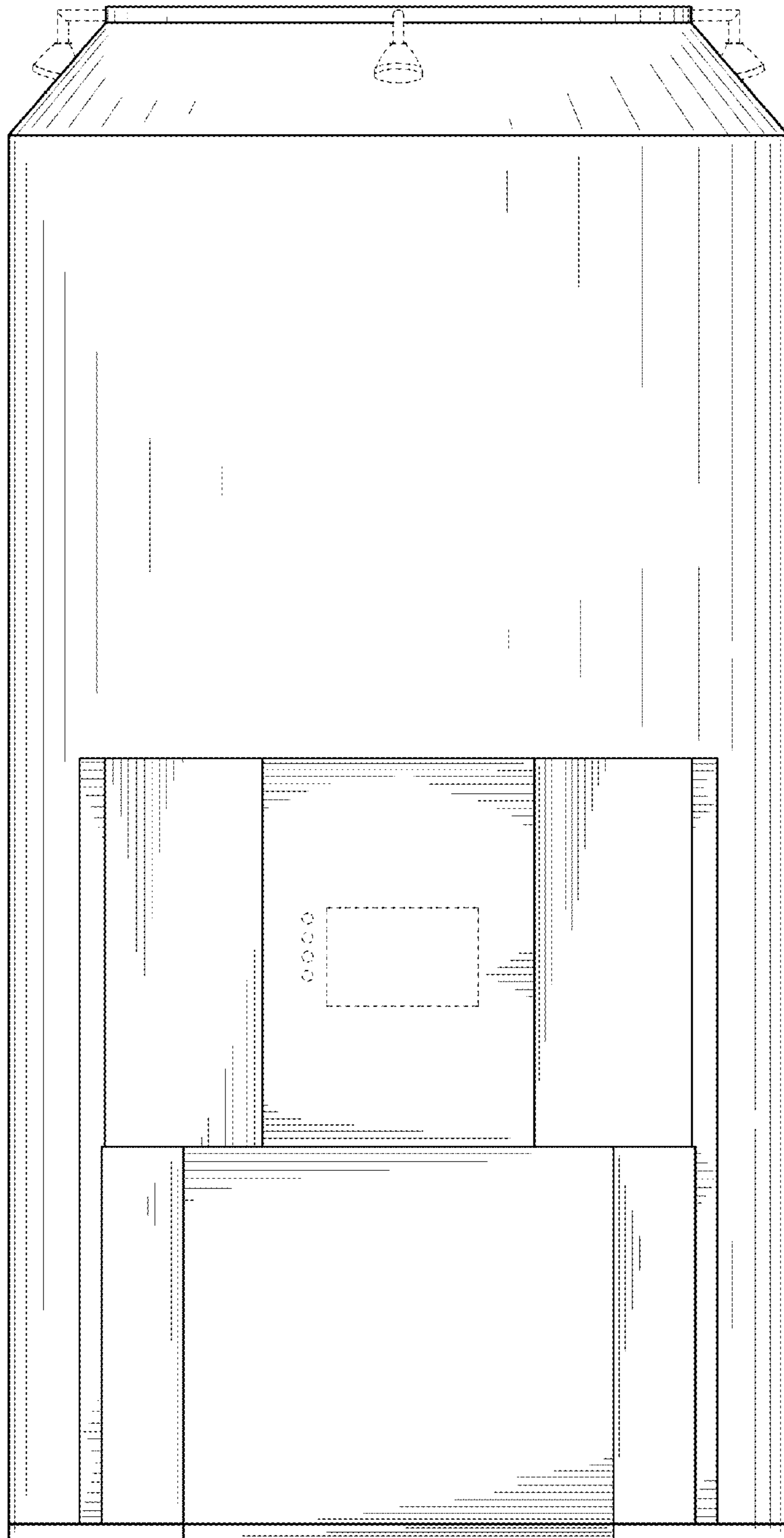


Fig. 2

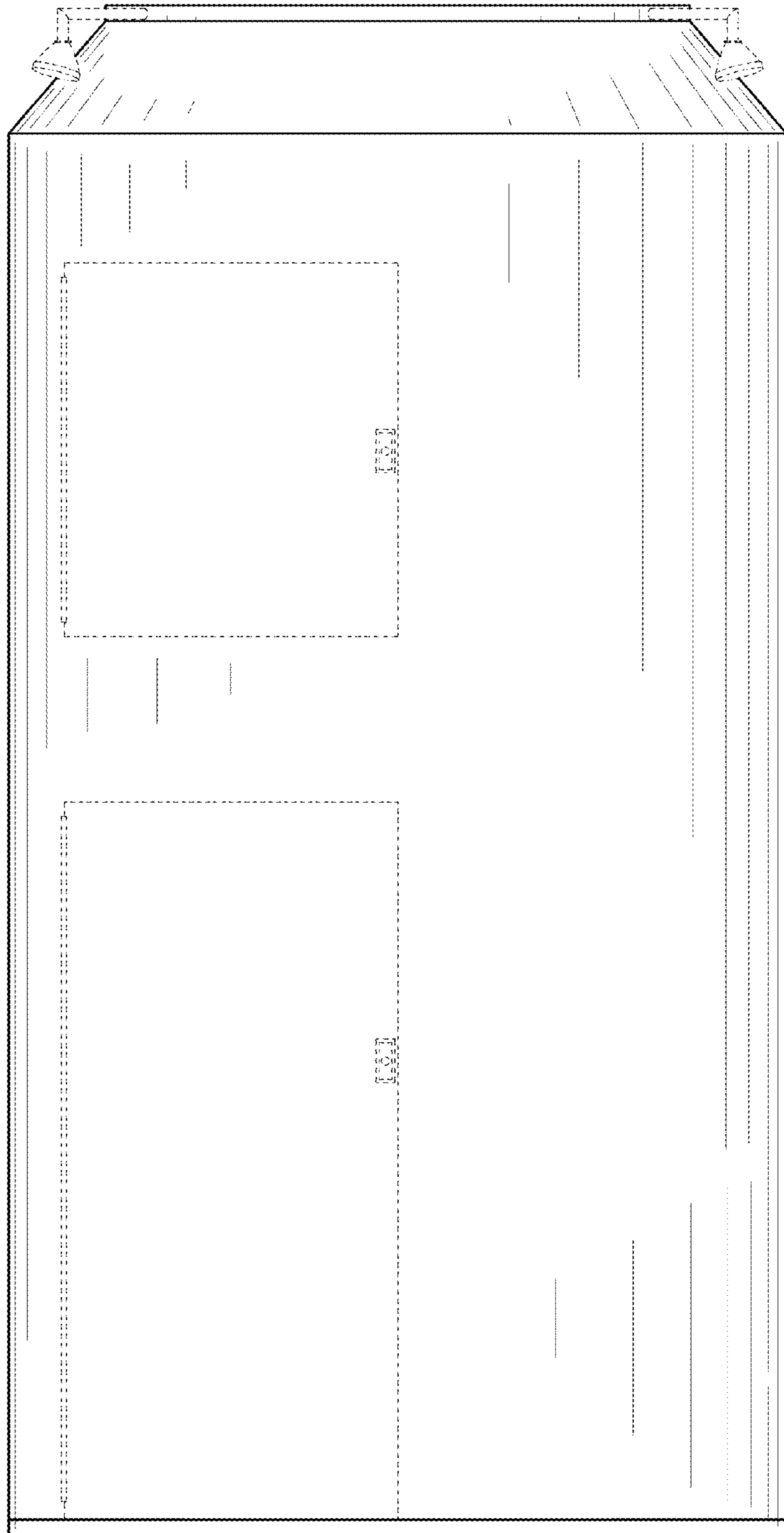


Fig. 3

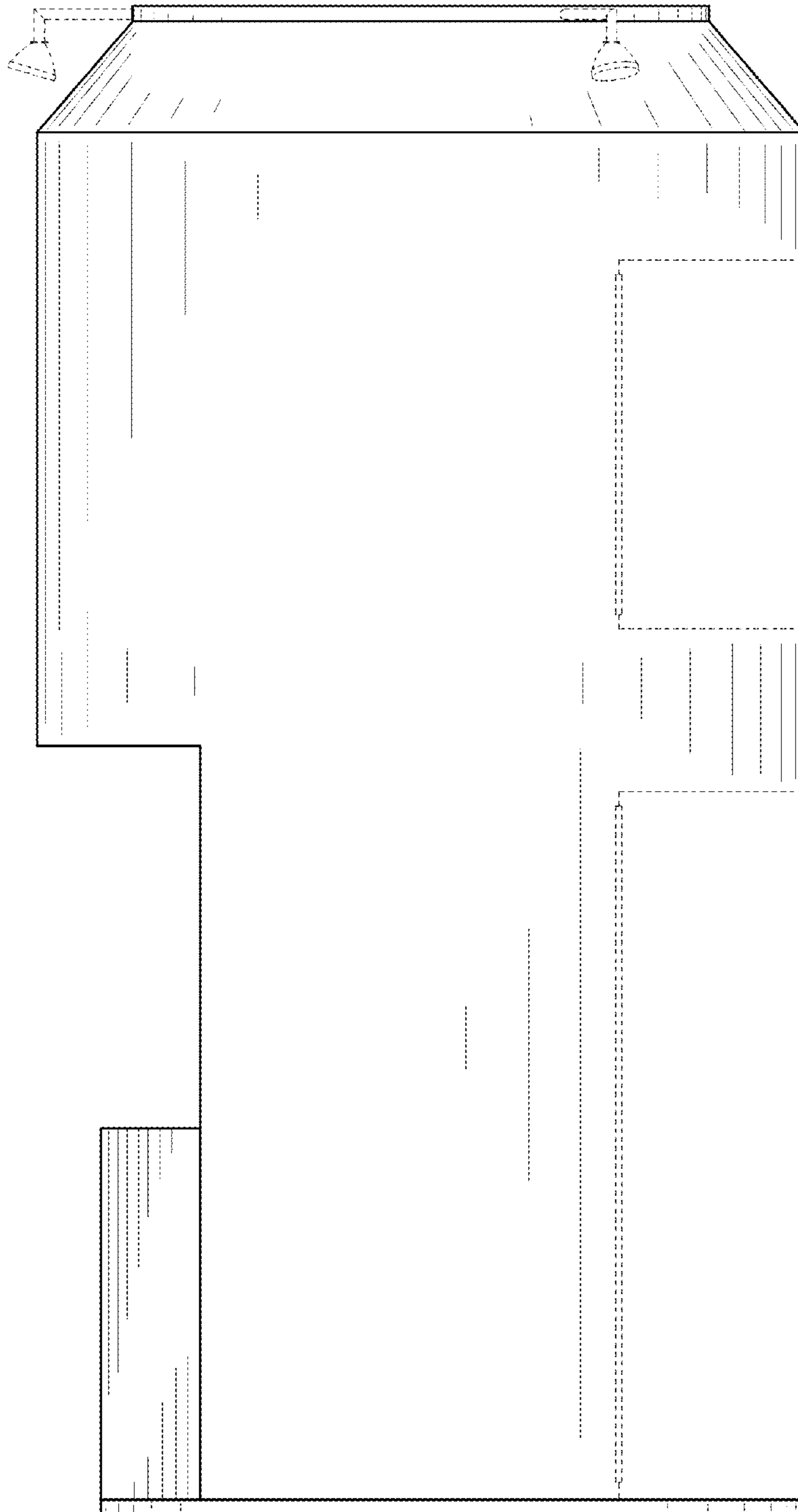


Fig. 4

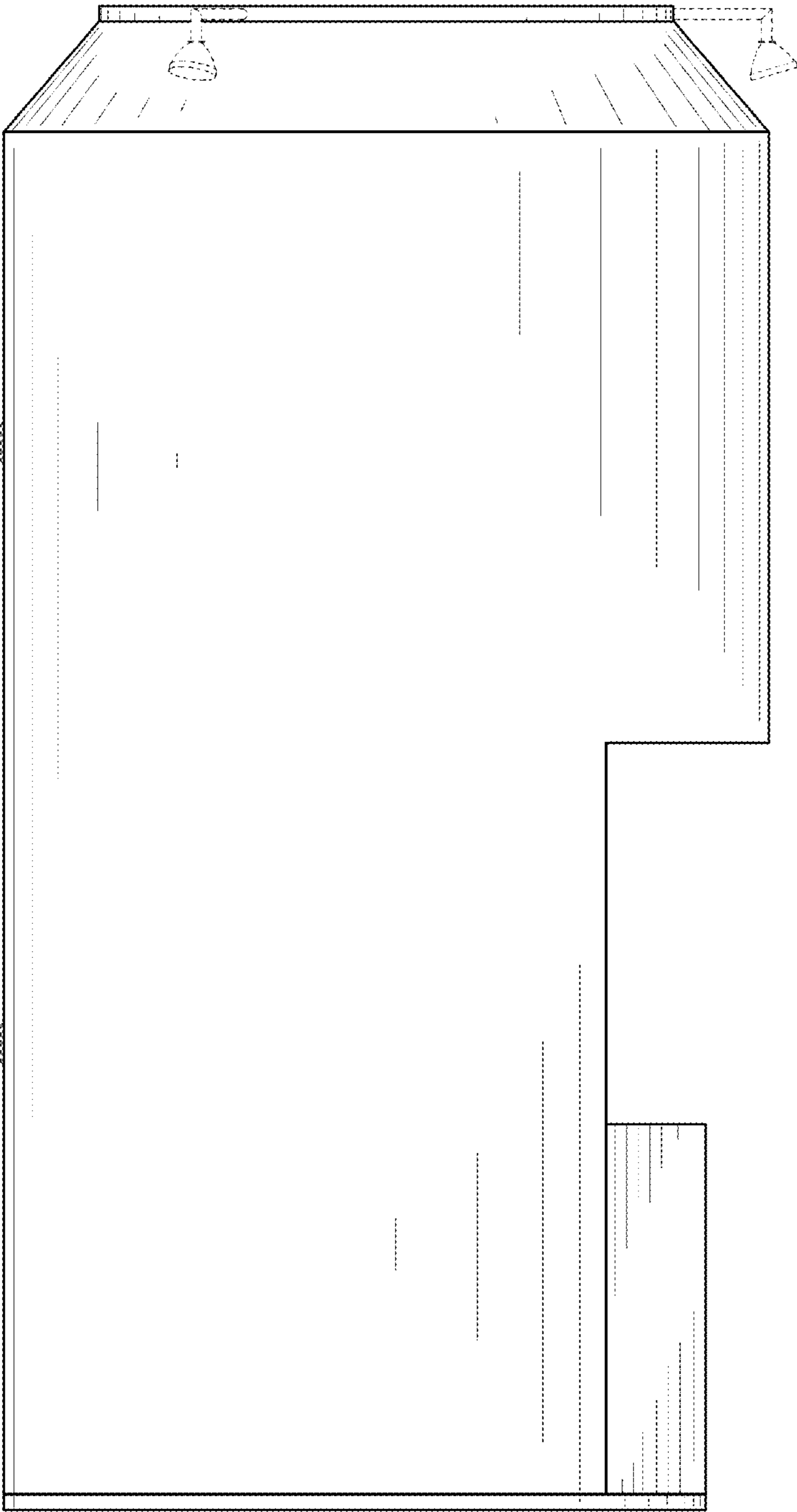
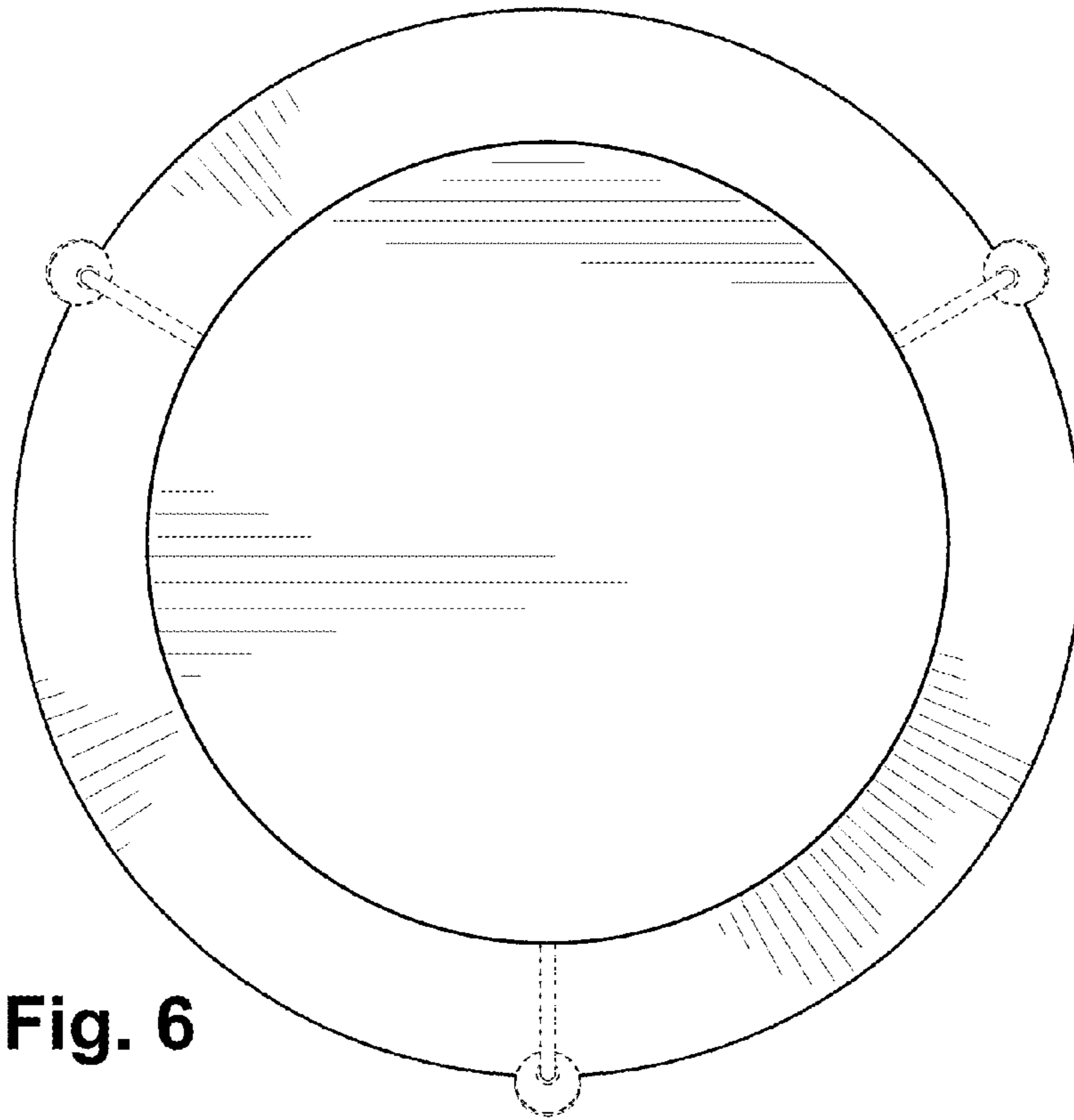
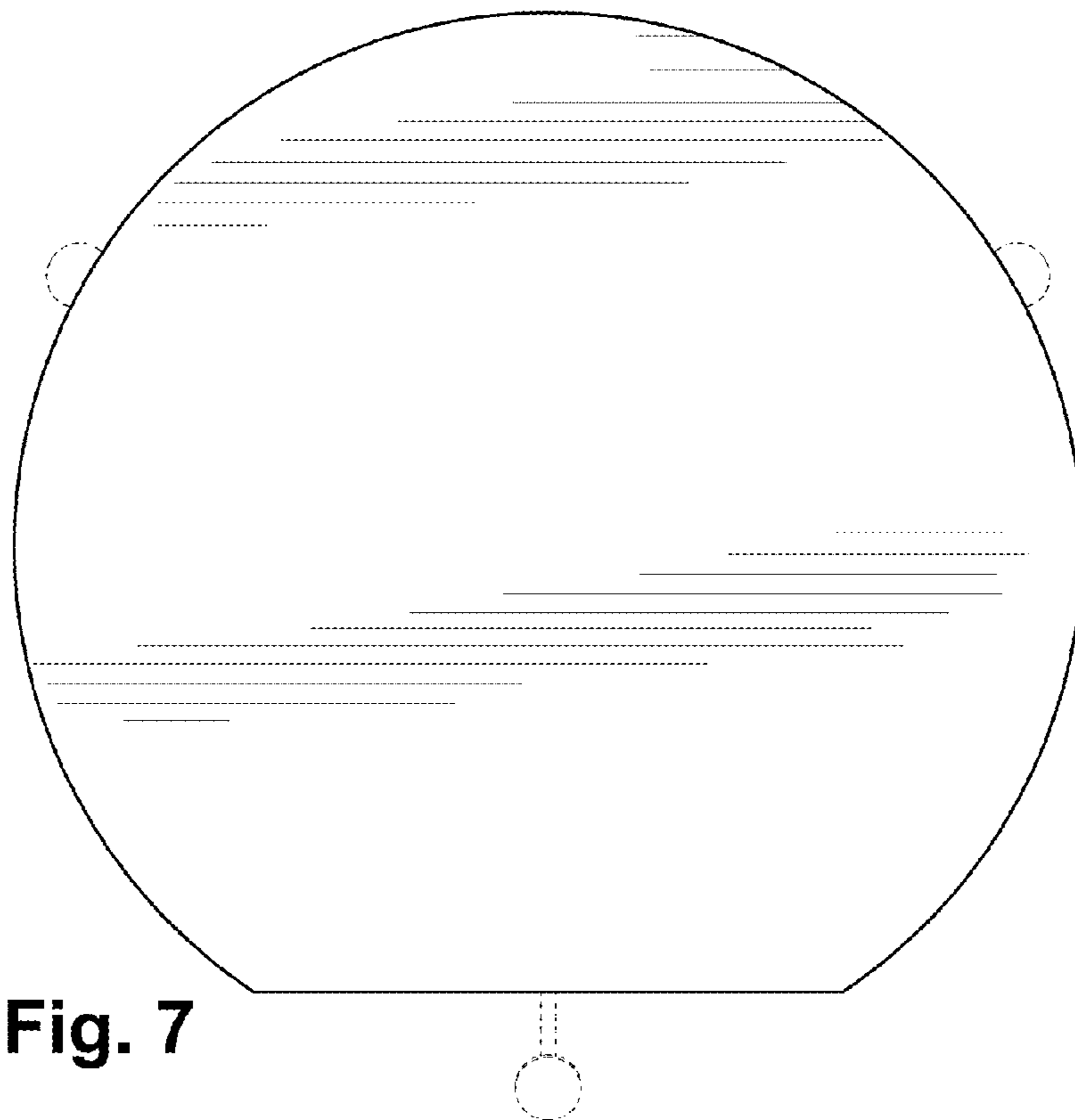


Fig. 5





**Fig. 6**



**Fig. 7**