



US00D710061S

(12) **United States Design Patent**
Scherrer

(10) **Patent No.:** **US D710,061 S**
(45) **Date of Patent:** **** Jul. 29, 2014**

(54) **DISHWASHER RACK**

(75) Inventor: **Lukas Scherrer**, San Francisco, CA
(US)

(73) Assignee: **Anheuser-Busch InBev, SA**, Brussels
(BE)

(**) Term: **14 Years**

(21) Appl. No.: **29/423,593**

(22) Filed: **Jun. 1, 2012**

(51) **LOC (10) Cl.** **15-05**

(52) **U.S. Cl.**
USPC **D32/3**

(58) **Field of Classification Search**
USPC D32/1, 2, 3, 25, 55; D3/309-314;
134/56 D, 57 D, 58 D, 201;
220/487-488, 507, 518, 555;
206/507-509; 211/41.8, 41.9

See application file for complete search history.

(56) **References Cited**

U.S. PATENT DOCUMENTS

263,116	A *	8/1882	Close	217/19
2,944,696	A *	7/1960	Effgen	220/507
3,392,869	A *	7/1968	Needt	220/518
D259,174	S *	5/1981	Box	D3/311
D259,294	S *	5/1981	Box	D3/311
D259,818	S *	7/1981	Beavis	D3/311
D261,193	S *	10/1981	Cornou	D3/311

D261,194	S *	10/1981	Box	D3/313
5,605,236	A *	2/1997	Welch	211/41.8
5,934,486	A *	8/1999	Jarvis et al.	211/41.8
6,726,031	B2 *	4/2004	Laupan	211/41.8
D683,087	S *	5/2013	Clores	D32/3
2002/0117461	A1 *	8/2002	Laupan	211/41.8
2003/0178378	A1 *	9/2003	Larson et al.	211/41.8
2011/0253649	A1 *	10/2011	Clores	211/41.8
2012/0055891	A1 *	3/2012	Clores	211/41.8
2013/0020268	A1 *	1/2013	Domenech Grau	211/41.8

* cited by examiner

Primary Examiner — T. Chase Nelson

Assistant Examiner — Kathleen M Sims

(74) *Attorney, Agent, or Firm* — Gardere Wynne Sewell LLP

(57) **CLAIM**

The ornamental design for a dishwasher rack, as shown and described.

DESCRIPTION

FIG. 1 is a perspective view of the dishwasher rack.
FIG. 2 is a right side view of the dishwasher rack of FIG. 1.
FIG. 3 is a front view of the dishwasher rack of FIG. 1.
FIG. 4 is a top plan view of the dishwasher rack of FIG. 1.
FIG. 5 is a rear view of the dishwasher rack of FIG. 1.
FIG. 6 is a bottom plan view of the dishwasher rack of FIG. 1;
and,
FIG. 7 is a left side view of the dishwasher rack of FIG. 1.
The broken lines in FIGS. 4 and 6 form no part of the claimed design.

1 Claim, 3 Drawing Sheets

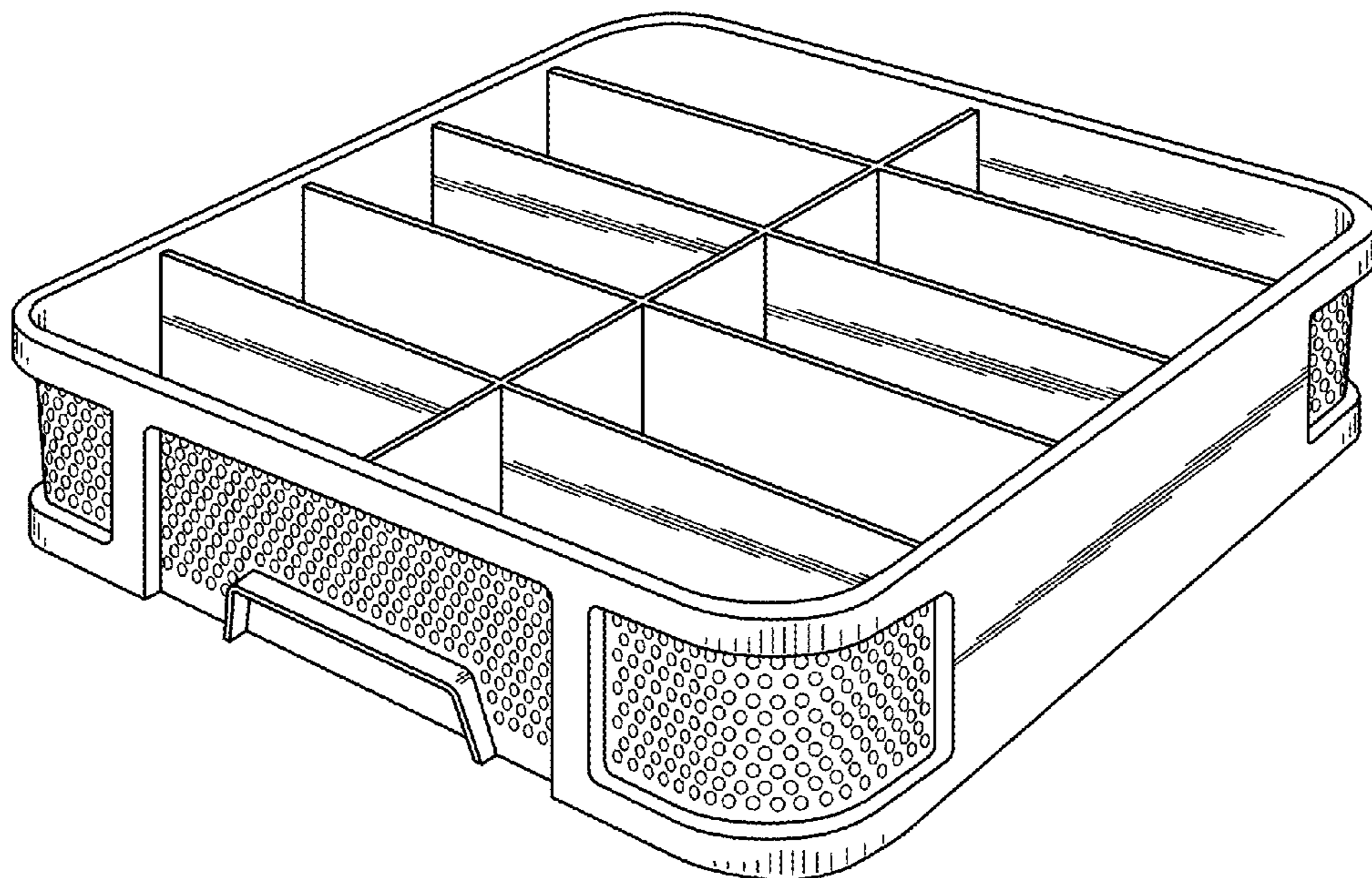


Fig. 1

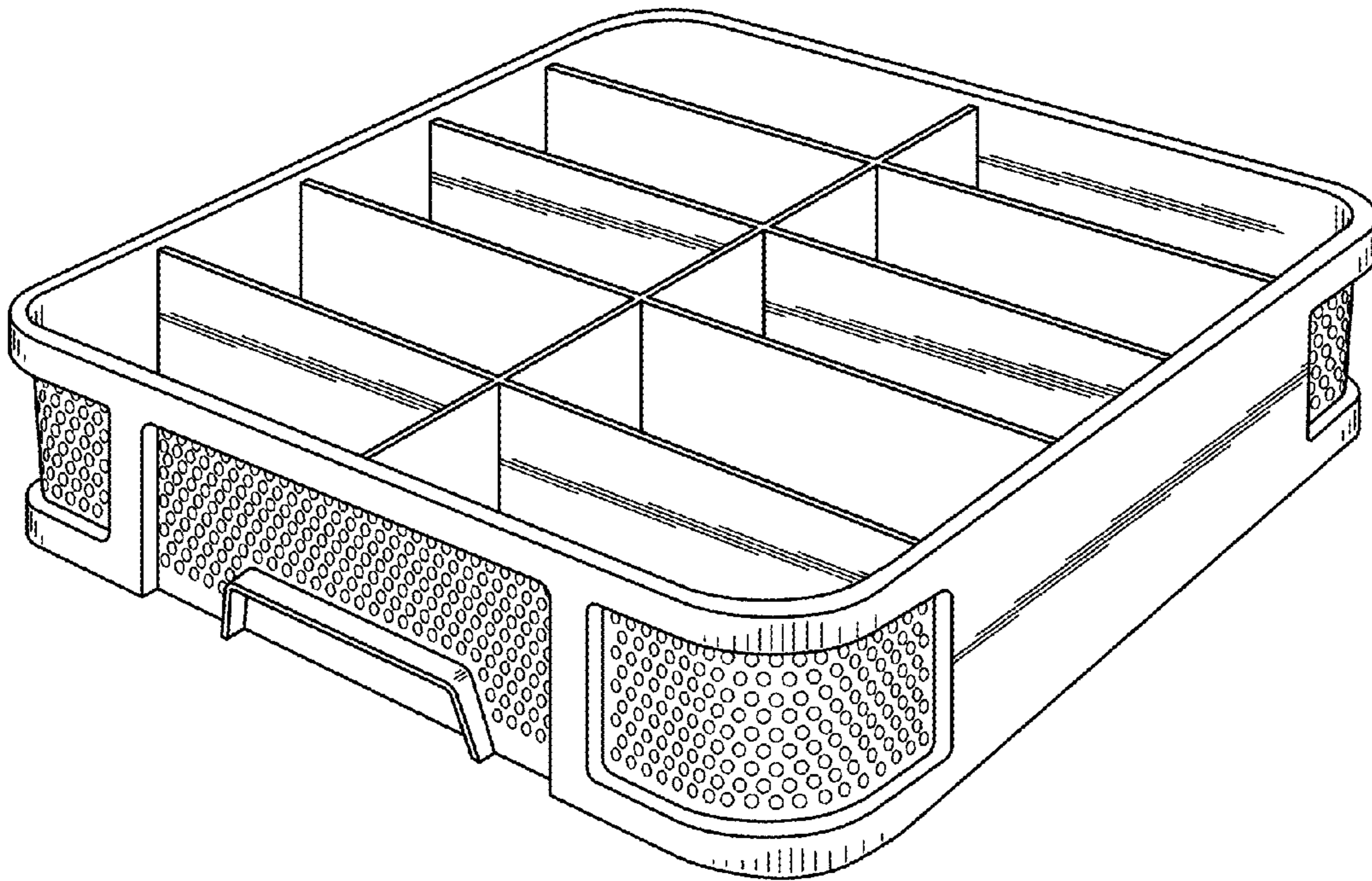


Fig. 2

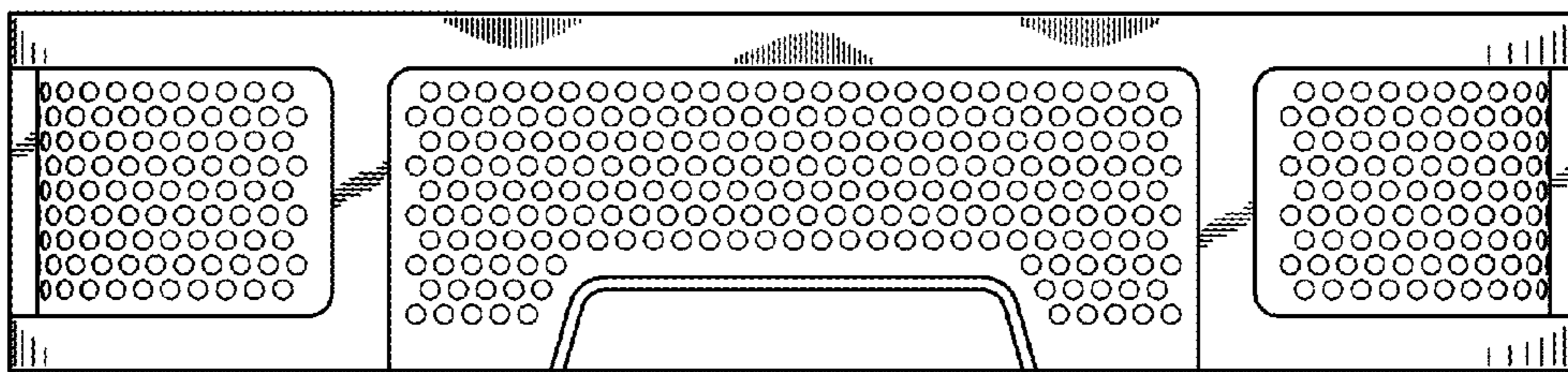


Fig. 3



Fig. 4

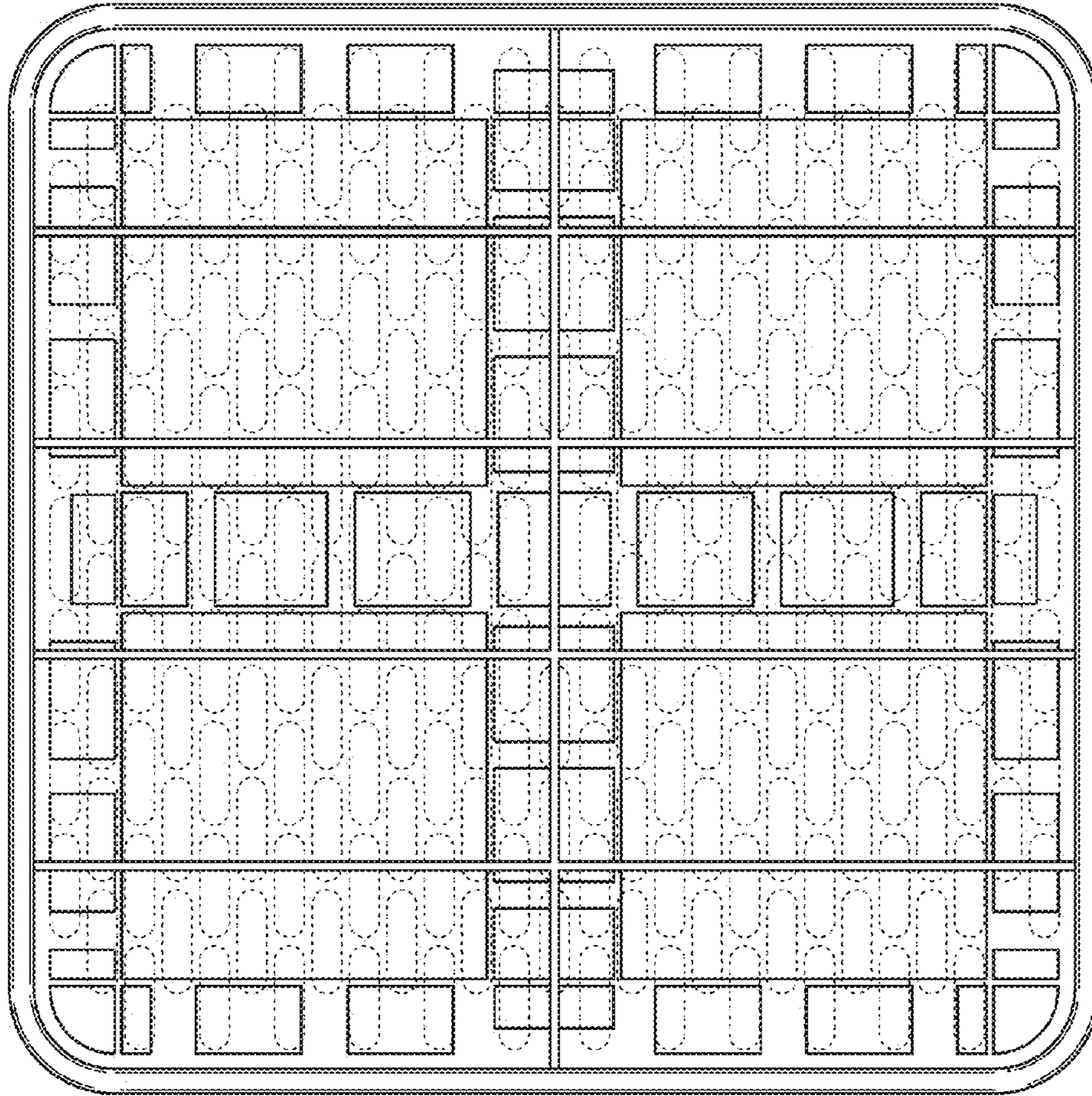


Fig. 5

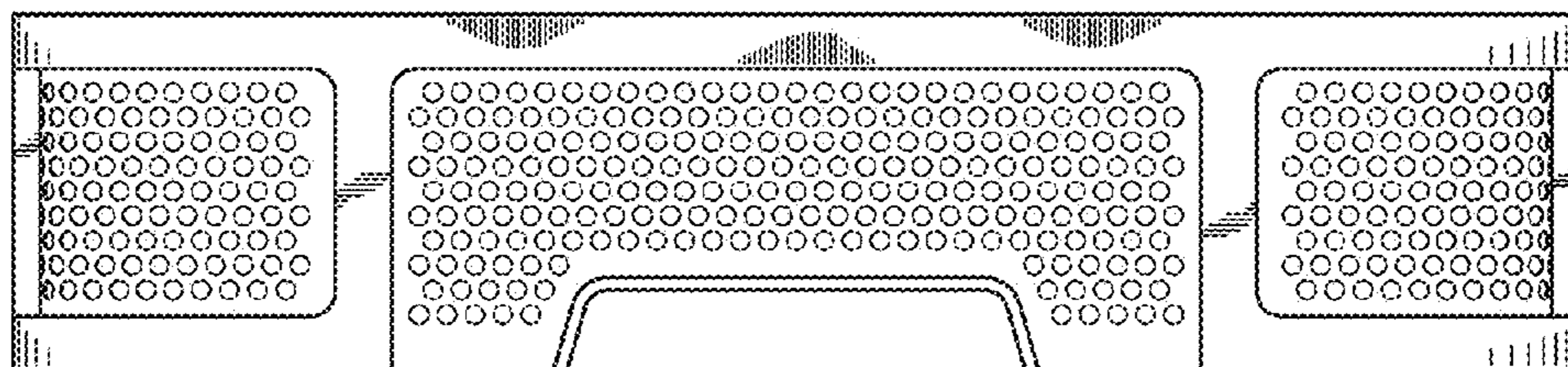


Fig. 6

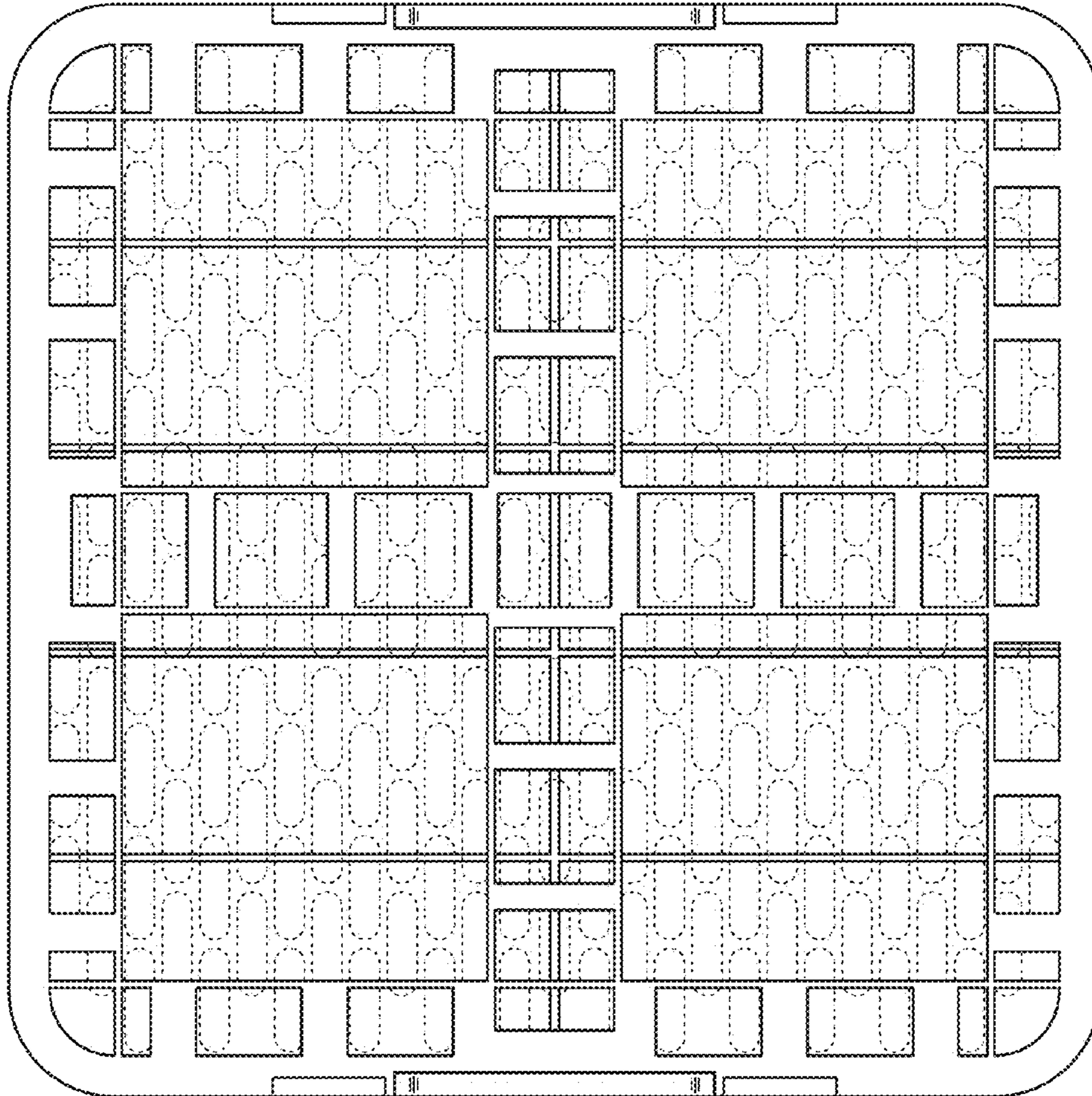


Fig. 7

