



US00D710054S

(12) **United States Design Patent**  
**Grabes et al.**

(10) **Patent No.:** **US D710,054 S**  
(45) **Date of Patent:** **\*\* Jul. 29, 2014**

(54) **EPILATOR**

2007/0028447 A1\* 2/2007 Ogawa et al. .... 30/29.5  
2010/0064520 A1\* 3/2010 Park et al. .... 30/29.5  
2011/0072668 A1\* 3/2011 Morisugi et al. .... 30/29.5

(71) Applicant: **Braun GmbH**, Kronberg (DE)

(72) Inventors: **Oliver Grabes**, Frankfurt (DE);  
**Christine Hielscher**, Frankfurt (DE);  
**Bjorn Kling**, Glashutten (DE); **Rory McGarry**, Frankfurt (DE); **Britta Stockinger**, Grossenseebach (DE);  
**Renke Joris Thye**, Westerstede (DE);  
**Sven Wuttig**, Griesheim (DE)

FOREIGN PATENT DOCUMENTS

DE 40105126-0001 11/2001  
EM 00374681-0001 9/2005  
EM 00712377-0001 6/2007

(Continued)

OTHER PUBLICATIONS

U.S. Appl. No. 29/477,034, filed Dec. 19, 2013, Inventor Oliver Grabes et al.

(73) Assignee: **Braun GmbH**, Kronberg (DE)

(\*\*) Term: **14 Years**

*Primary Examiner* — Jennifer Rivard

(21) Appl. No.: **29/477,033**

(74) *Attorney, Agent, or Firm* — Jay A. Krebs; Jeffrey V. Bamber; Kim W. Zerby

(22) Filed: **Dec. 19, 2013**

(57) **CLAIM**

(30) **Foreign Application Priority Data**

The ornamental design for an epilator, as shown and described.

Jun. 28, 2013 (WO) ..... 747138801

**DESCRIPTION**

(51) **LOC (10) Cl.** ..... **28-03**

FIG. 1 is a perspective view of a epilator;

(52) **U.S. Cl.**

FIG. 2 is a front view thereof;

USPC ..... **D28/44.1**

FIG. 3 is a left side view thereof;

(58) **Field of Classification Search**

FIG. 4 is a rear view thereof;

CPC ..... B26B 19/148; A45D 2200/207; A45D  
26/0028; A45D 26/0038; A45D 26/0061;  
A45D 26/0042

FIG. 5 is a right side view thereof;

USPC ..... D28/44, 44.1, 49-54; 606/131-134;  
30/29.5

FIG. 6 is a top plan view thereof;

See application file for complete search history.

FIG. 7 is a bottom view thereof.

(56) **References Cited**

FIG. 8 is a perspective view of the epilator with a lid thereon;

U.S. PATENT DOCUMENTS

FIG. 9 is a front view thereof;

D355,969 S \* 2/1995 Schneider et al. .... D28/44.1

FIG. 10 is a left side view thereof;

D589,649 S \* 3/2009 Tamsiran ..... D28/44.1

FIG. 11 is a rear view thereof;

D608,051 S \* 1/2010 Tamsiran ..... D28/44.1

FIG. 12 is a right side view thereof;

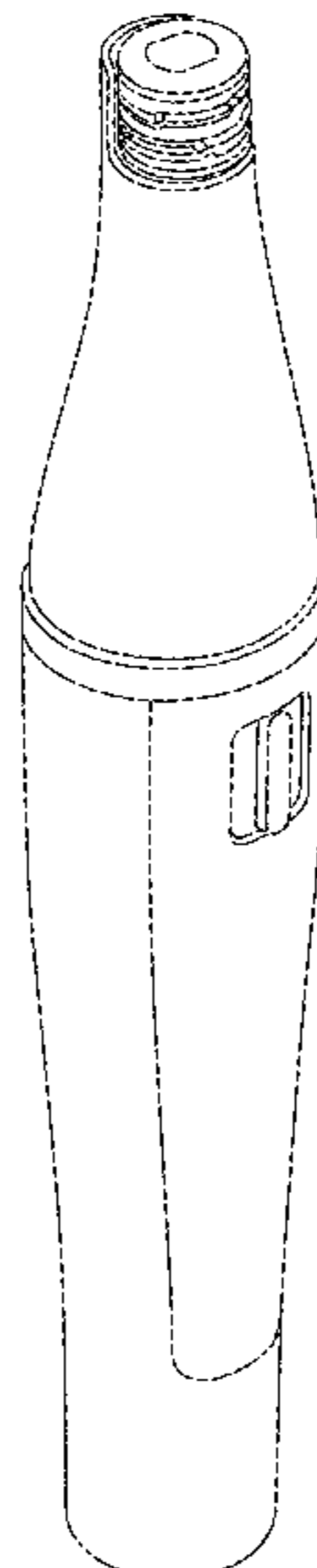
2005/0172490 A1\* 8/2005 Yiu ..... 30/34.1

FIG. 13 is a top plan view thereof; and,

FIG. 14 is a bottom view thereof.

The epilator is shown with and without the lid for convenience of illustration.

**1 Claim, 6 Drawing Sheets**



(56)

**References Cited**

FOREIGN PATENT DOCUMENTS

EM 00808225-0003 12/2007  
EM 01321632-0002 5/2012

EM 01321632-0003 5/2012  
IR 00026265-0001 7/1993  
IR 00026265-0003 7/1993  
IR 00026265-0004 7/1993

\* cited by examiner

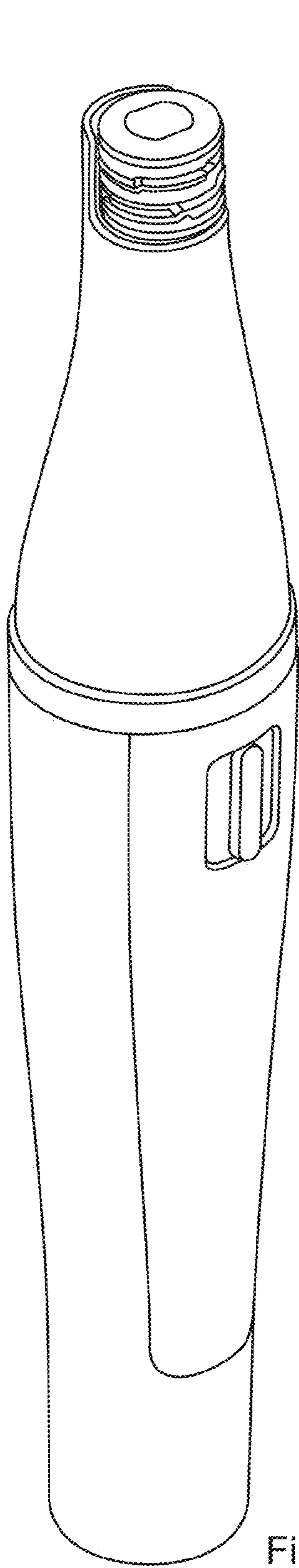


Fig. 1

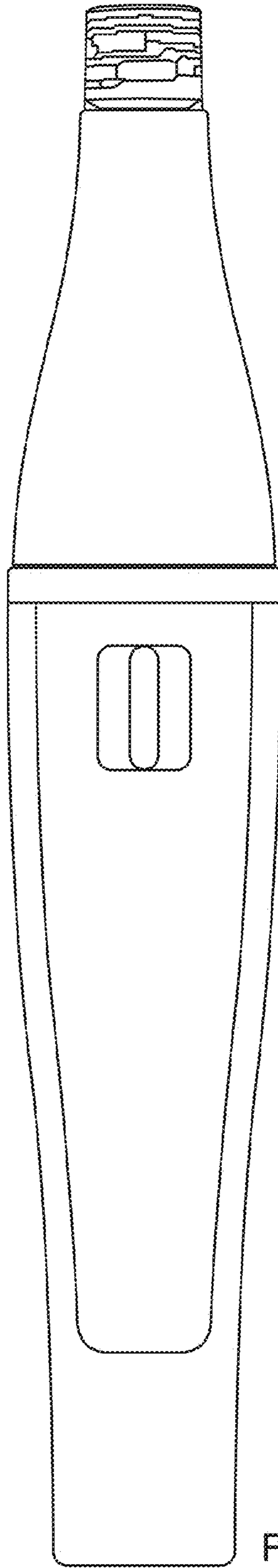


Fig. 2

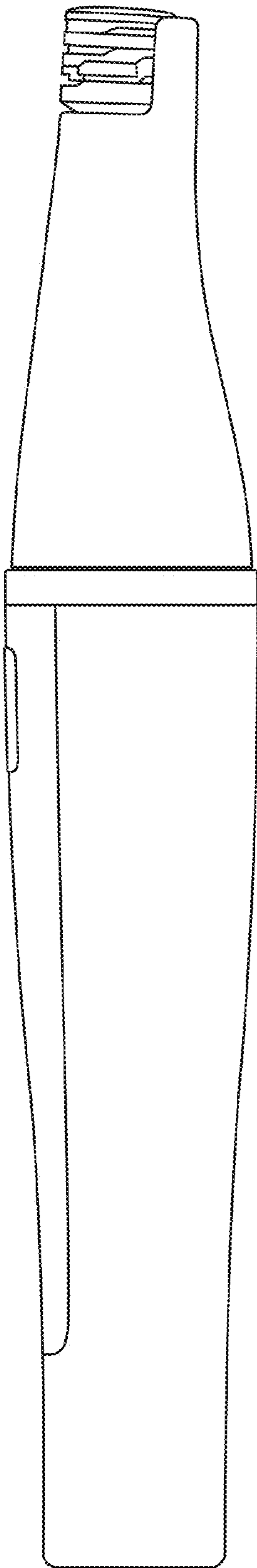


Fig. 3

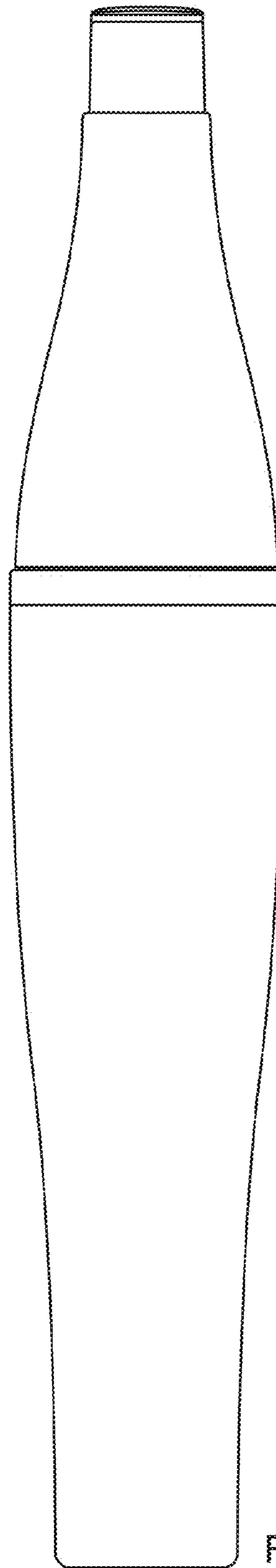


Fig. 4

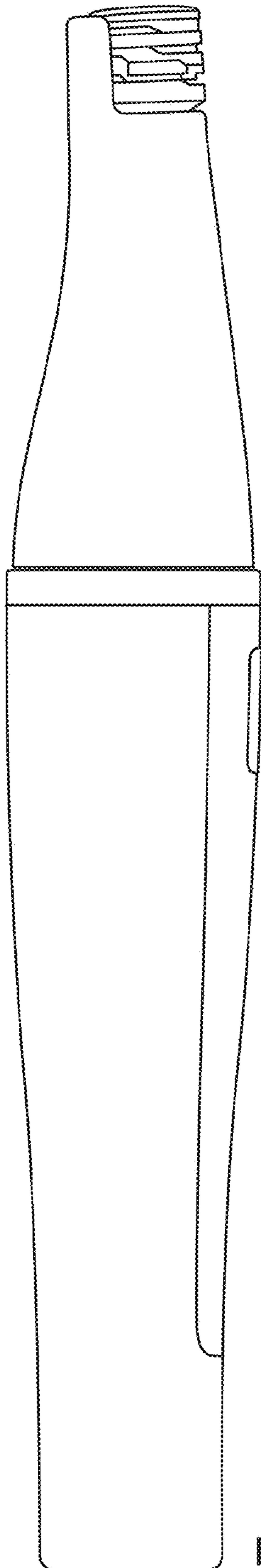


Fig. 5

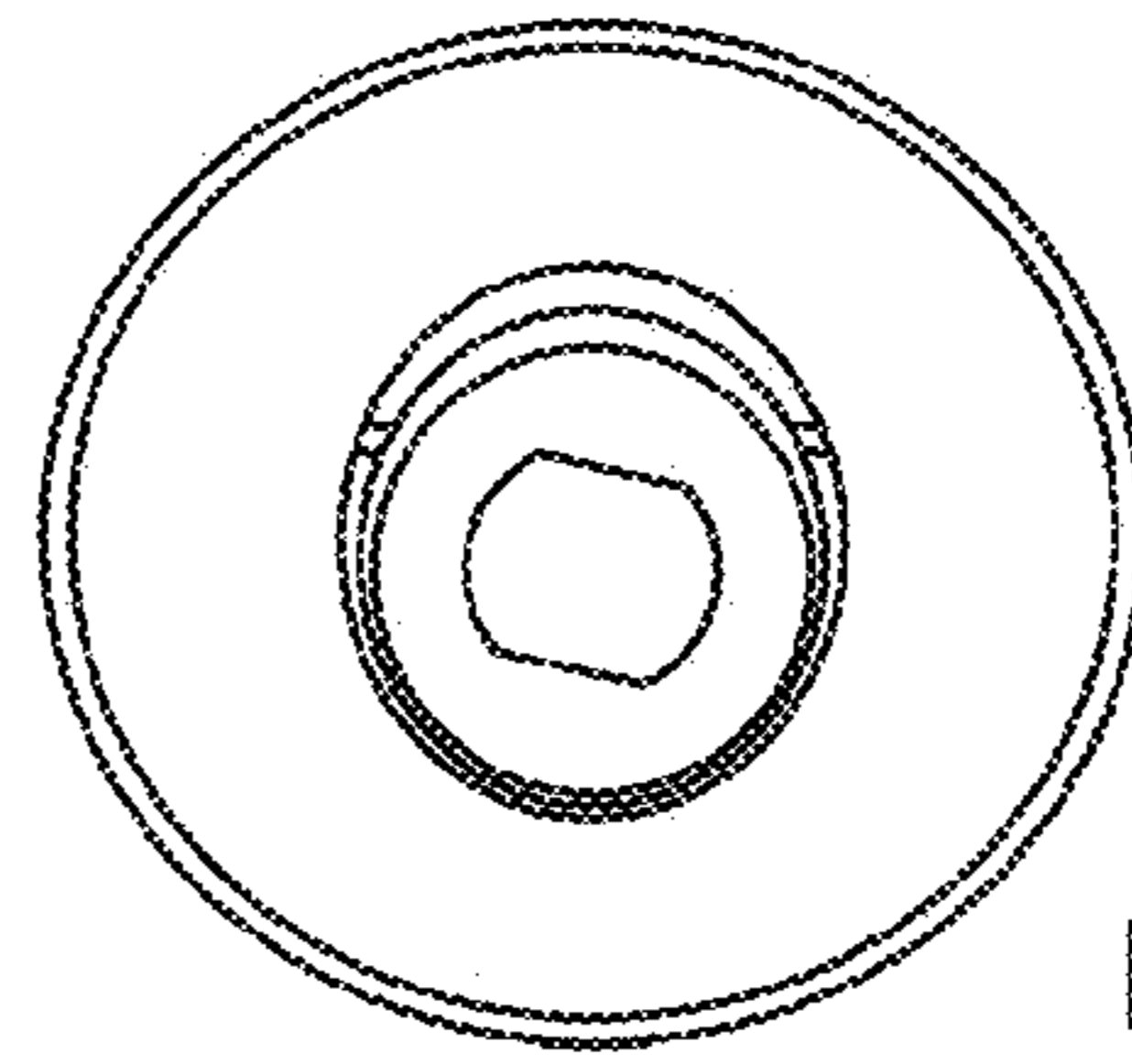


Fig. 6

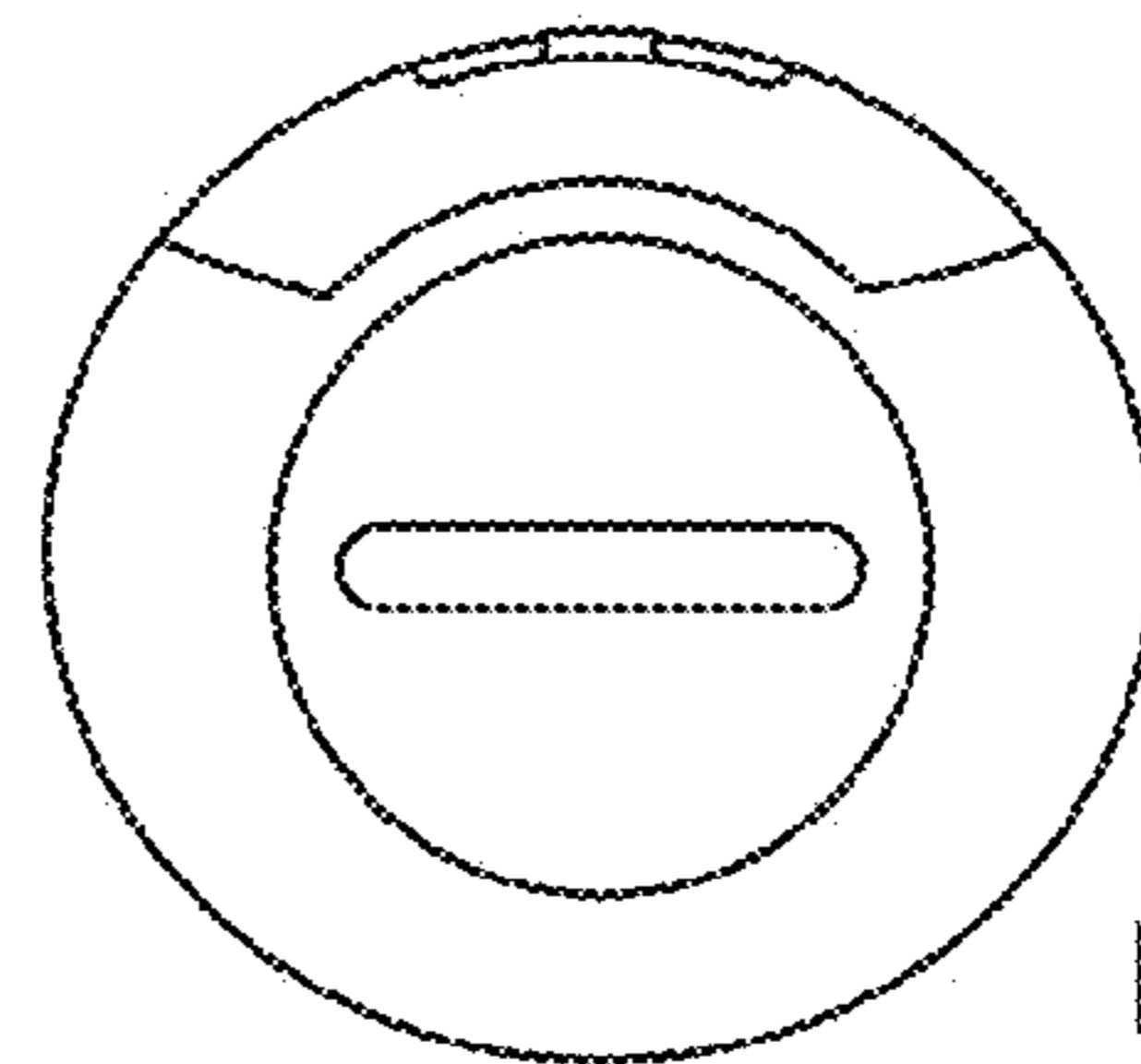


Fig. 7

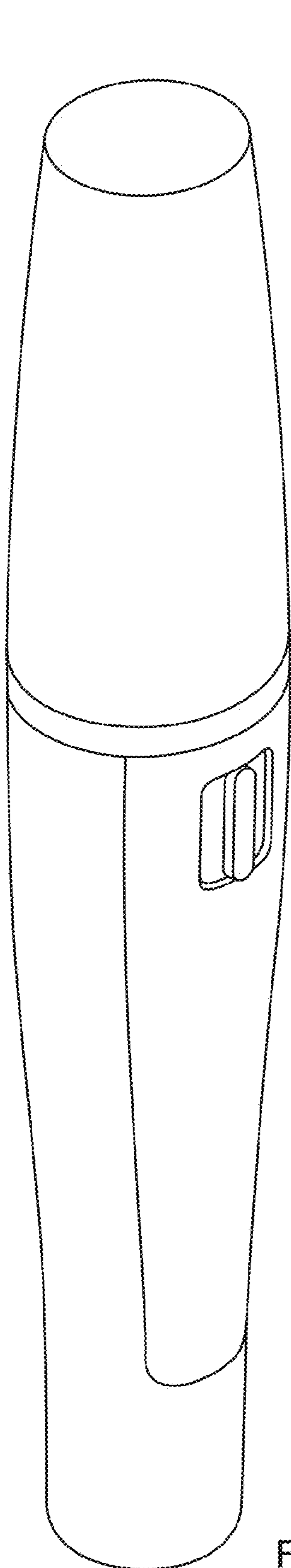


Fig. 8

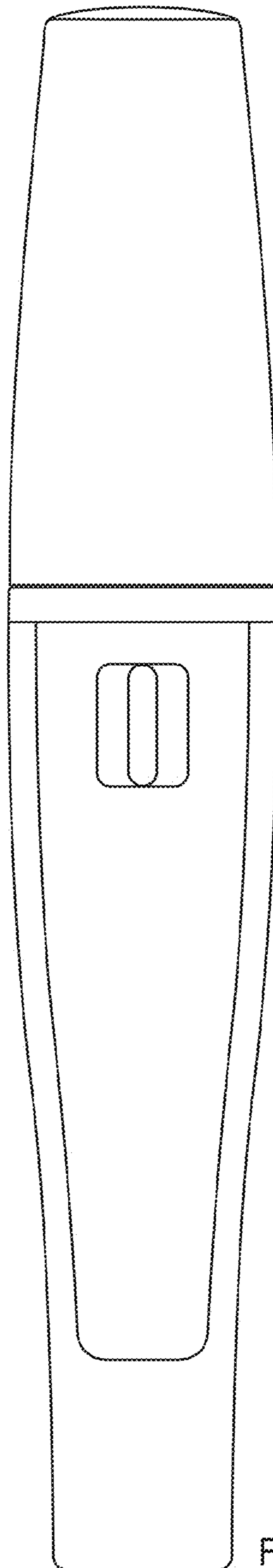


Fig. 9

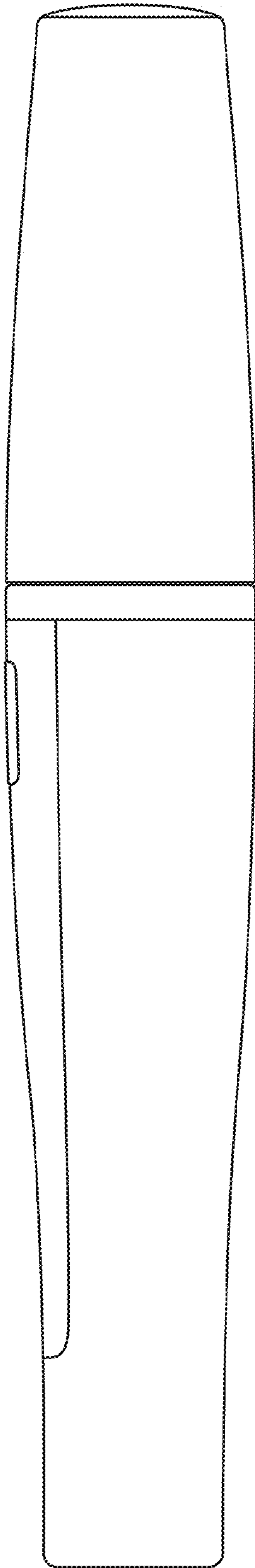


Fig. 10

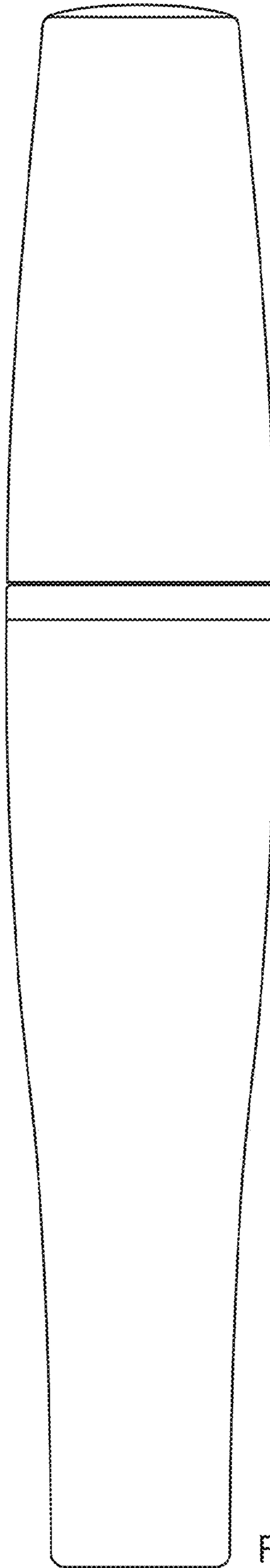


Fig. 11

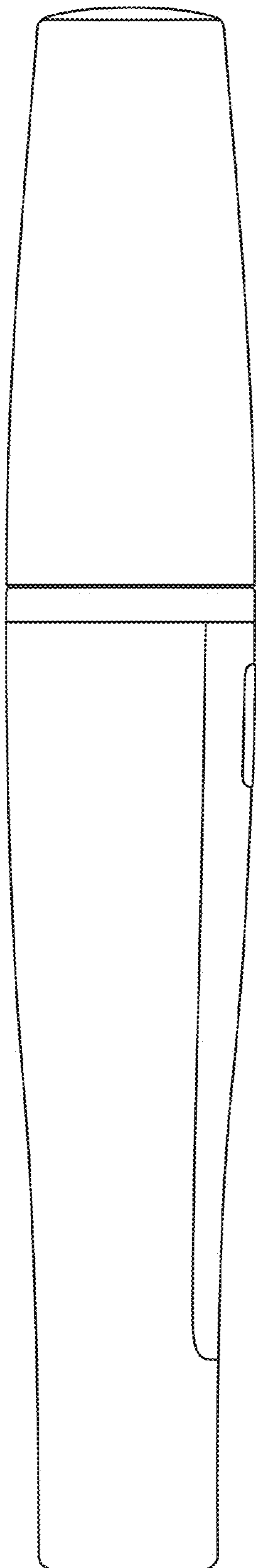


Fig. 12

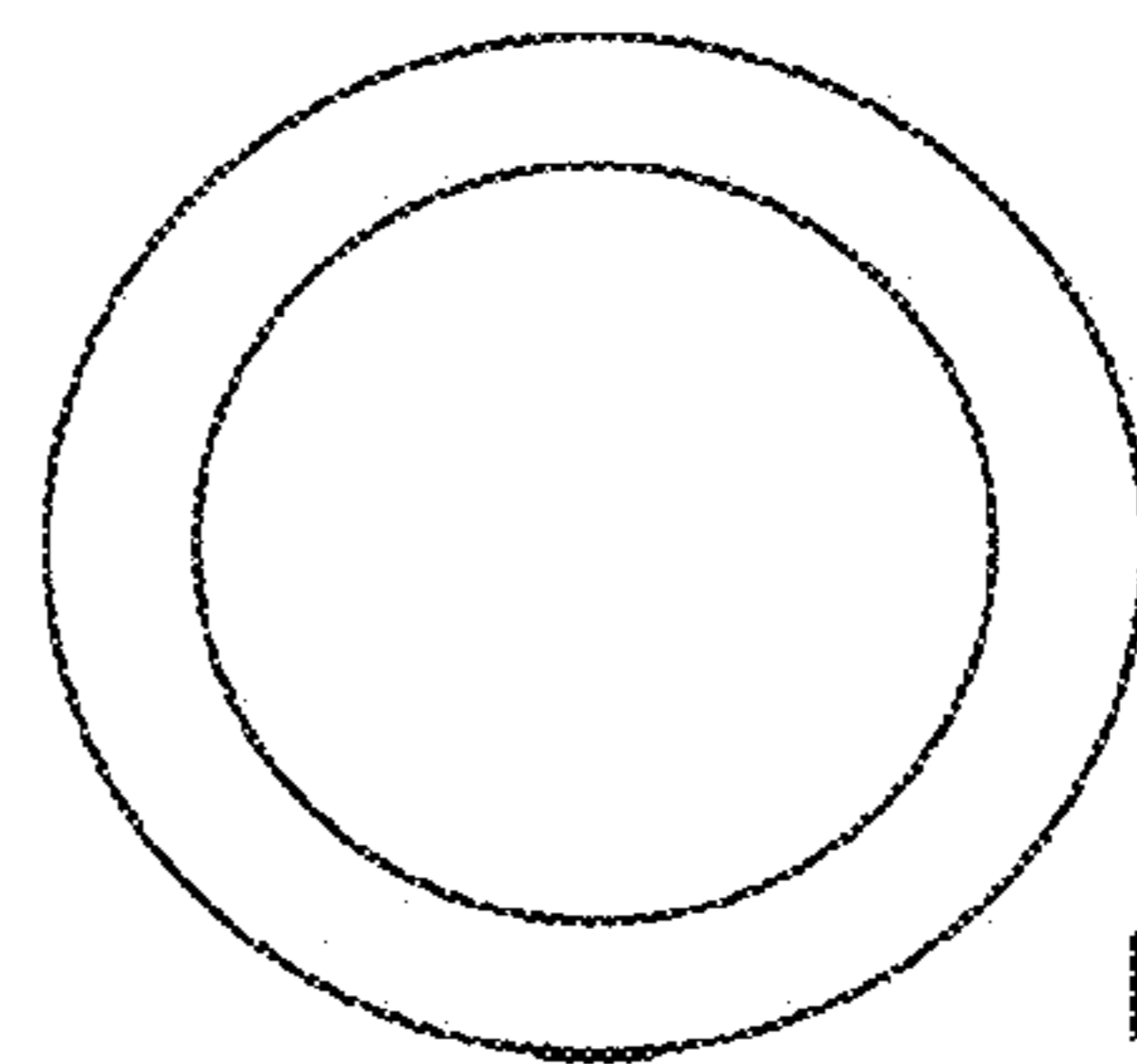


Fig. 13

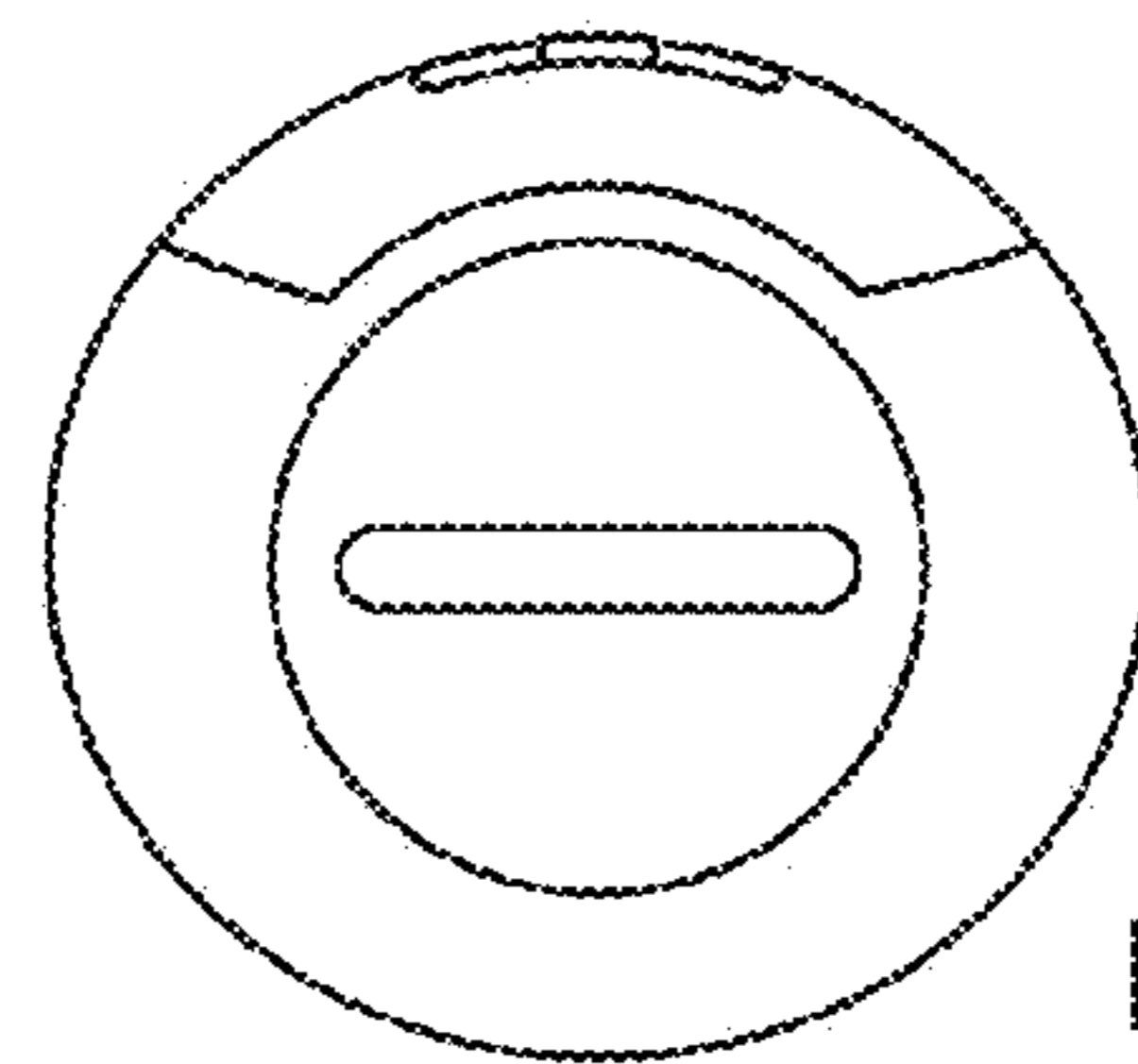


Fig. 14