



US00D710049S

(12) **United States Design Patent**
Haws

(10) **Patent No.:** **US D710,049 S**
(45) **Date of Patent:** **** Jul. 29, 2014**

- (54) **LIGHTING BACK PLATE**
- (71) Applicant: **Coleman Cable, Inc.**, Waukegan, IL (US)
- (72) Inventor: **Matthew Haws**, Indianapolis, IN (US)
- (73) Assignee: **Coleman Cable, LLC**, Waukegan, IL (US)
- (**) Term: **14 Years**
- (21) Appl. No.: **29/449,035**
- (22) Filed: **Mar. 14, 2013**
- (51) **LOC (10) Cl.** **26-99**
- (52) **U.S. Cl.**
USPC **D26/142**
- (58) **Field of Classification Search**
CPC F21S 6/00; F21S 6/004; F21S 6/006; F21S 8/00; F21S 8/02; F21S 8/03; F21S 8/003; F21S 8/037; F21S 8/06; F21S 8/08; F21V 17/02; F21V 17/04; F21V 17/06; F21V 21/002; F21V 21/02; F21V 21/03; F21V 21/04; F21V 21/14; F21V 23/02; F21V 23/04; F21V 23/0442
USPC D26/35, 36, 39, 51, 60, 62, 63, 67, 71, D26/72, 74, 80, 81, 85, 88, 89, 113, 118, D26/119, 128, 138, 139, 140, 142, 155; 362/147, 148, 153, 153.1, 183, 186, 362/300, 301, 307, 310, 347, 348, 349, 350, 362/362, 364, 365, 366, 382, 394, 431, 432
See application file for complete search history.

D431,319	S	*	9/2000	Hiller et al.	D26/142
D433,771	S	*	11/2000	Hiller et al.	D26/142
D453,387	S		2/2002	Leen		
D453,850	S	*	2/2002	Leen	D26/63
6,781,129	B2	*	8/2004	Leen	362/276
D505,222	S	*	5/2005	Logan	D26/85
D564,687	S	*	3/2008	Bucher et al.	D26/67
7,463,148	B2		12/2008	Leen		
RE43,828	E	*	11/2012	Tufano et al.	362/404
D680,673	S	*	4/2013	Levine	D26/67
D681,256	S	*	4/2013	Chilton et al.	D26/88
2007/0297169	A1	*	12/2007	Holmes	362/147

* cited by examiner

Primary Examiner — Deanna L Pratt

Assistant Examiner — Natasha Vujcic

(74) *Attorney, Agent, or Firm* — Patzik, Frank & Samotny Ltd.

(57) **CLAIM**

The ornamental design for a lighting back plate, as shown and described.

DESCRIPTION

FIG. 1 is a front perspective view of the lighting back plate of the present invention;
 FIG. 2 is a front elevation view of the lighting back plate of the present invention;
 FIG. 3 is a rear elevation view of the lighting back plate of the present invention;
 FIG. 4 is a left side elevation view of the lighting back plate of the present invention;
 FIG. 5 is a right side elevation view of the lighting back plate of the present invention;
 FIG. 6 is a top plan view of the lighting back plate of the present invention; and,
 FIG. 7 is a bottom plan view of the lighting back plate of the present invention.

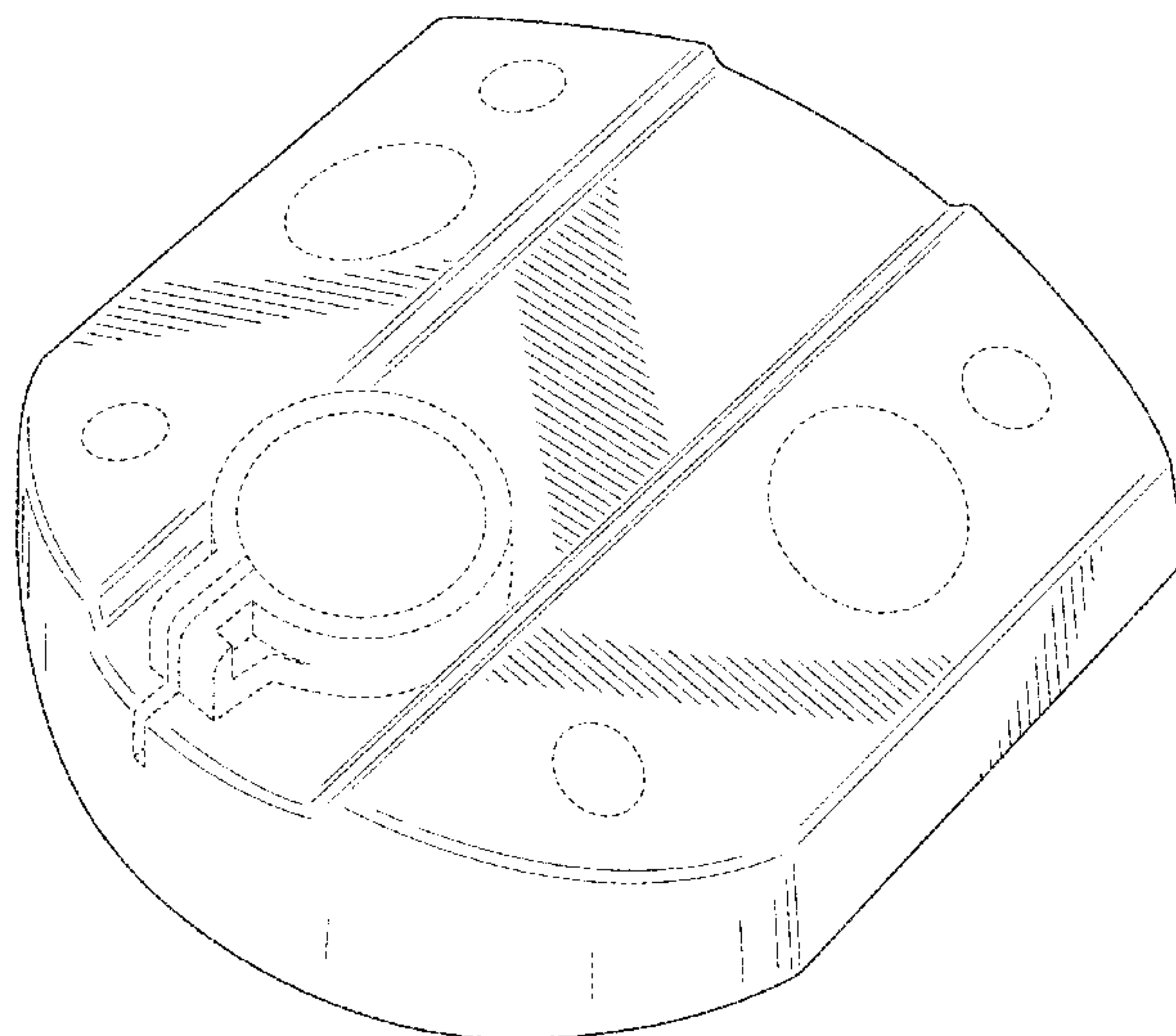
The portions shown in broken lines form no part of the claimed design.

1 Claim, 5 Drawing Sheets

(56) **References Cited**

U.S. PATENT DOCUMENTS

5,258,899	A	*	11/1993	Chen	362/394
5,515,252	A	*	5/1996	Osteen et al.	362/147
D379,246	S	*	5/1997	Haslam et al.	D26/63
5,662,411	A	*	9/1997	Haslam et al.	362/147
D399,022	S	*	9/1998	Jensen et al.	D26/142



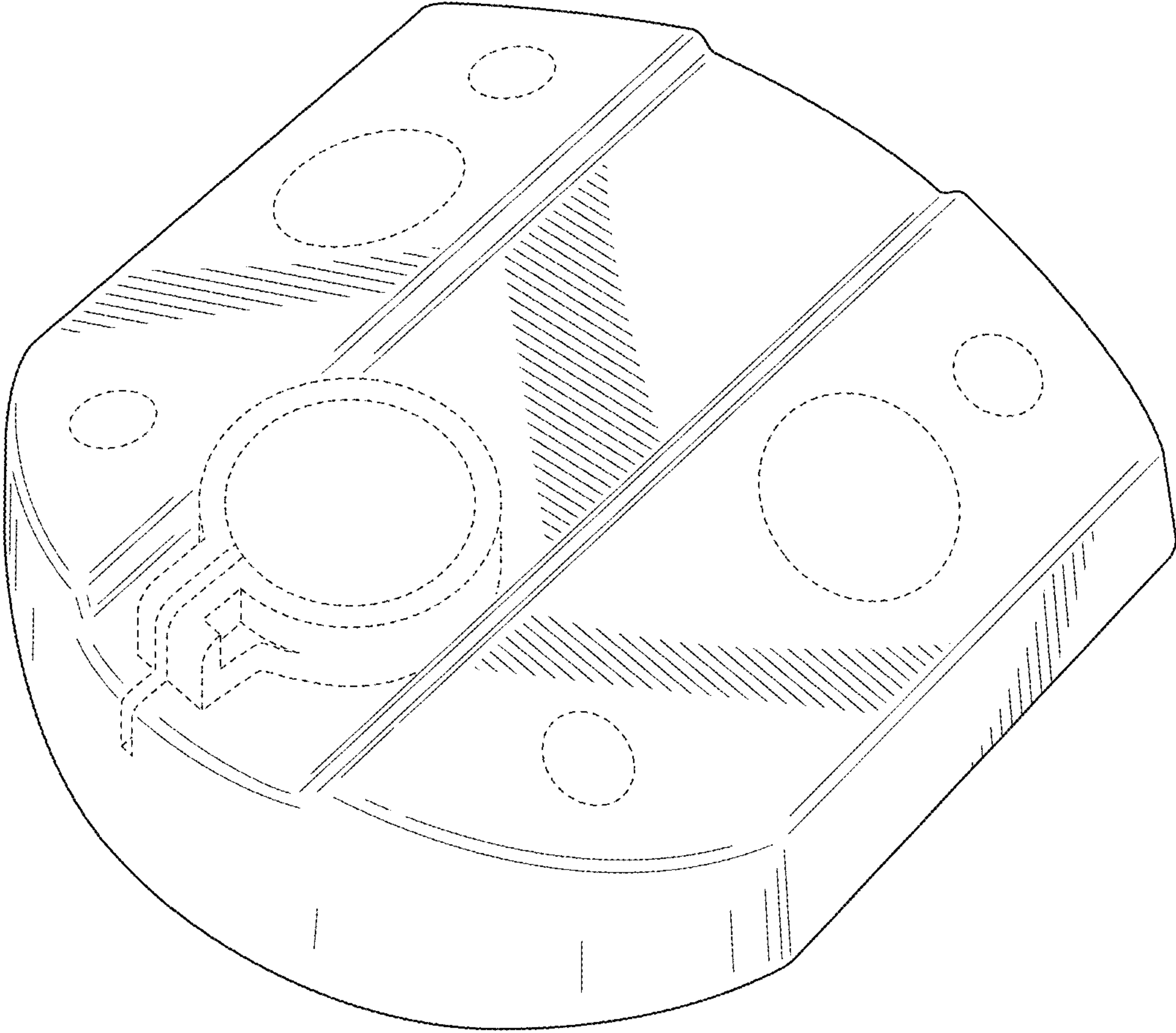


FIG. 1

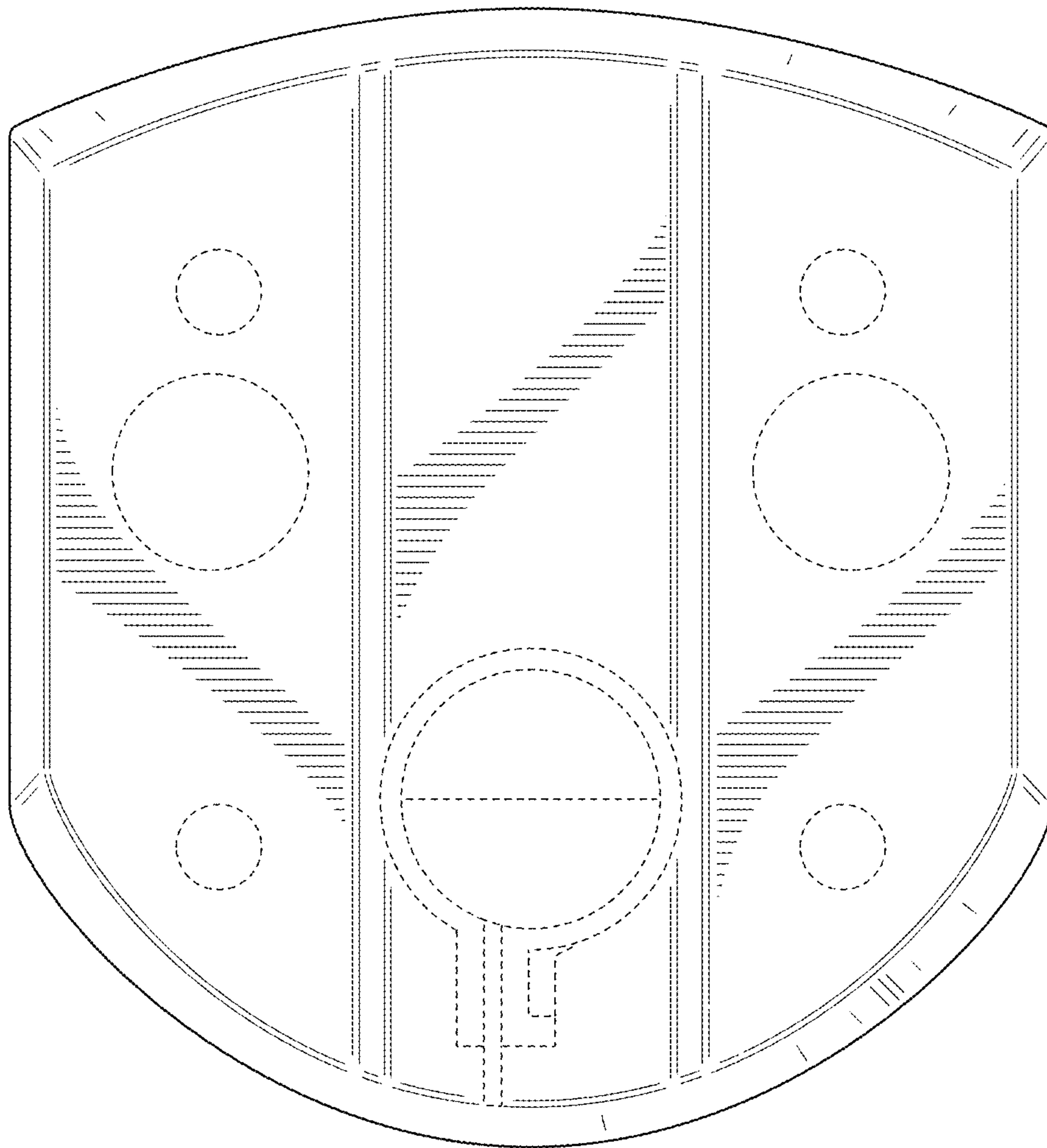


FIG. 2

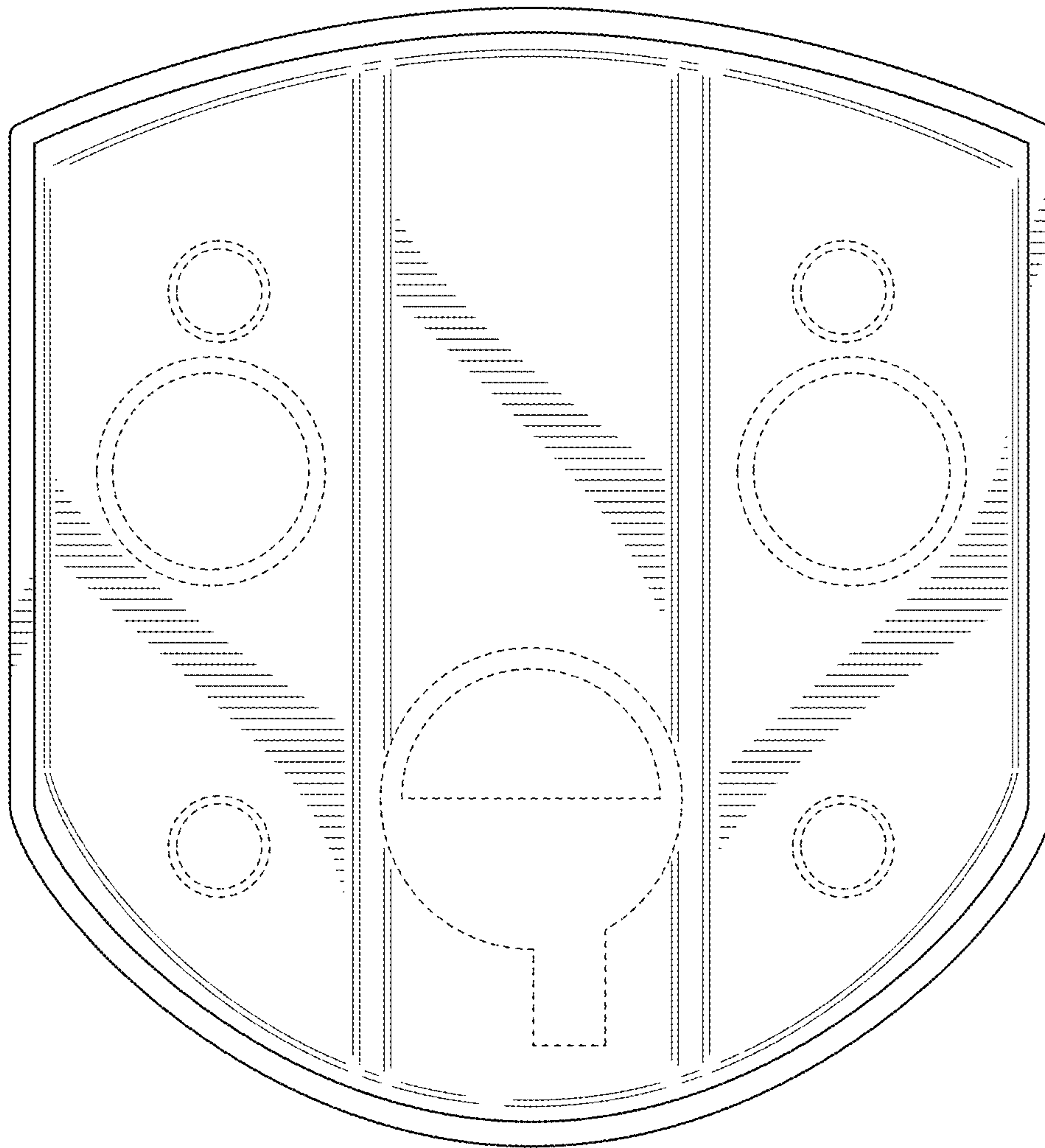


FIG. 3

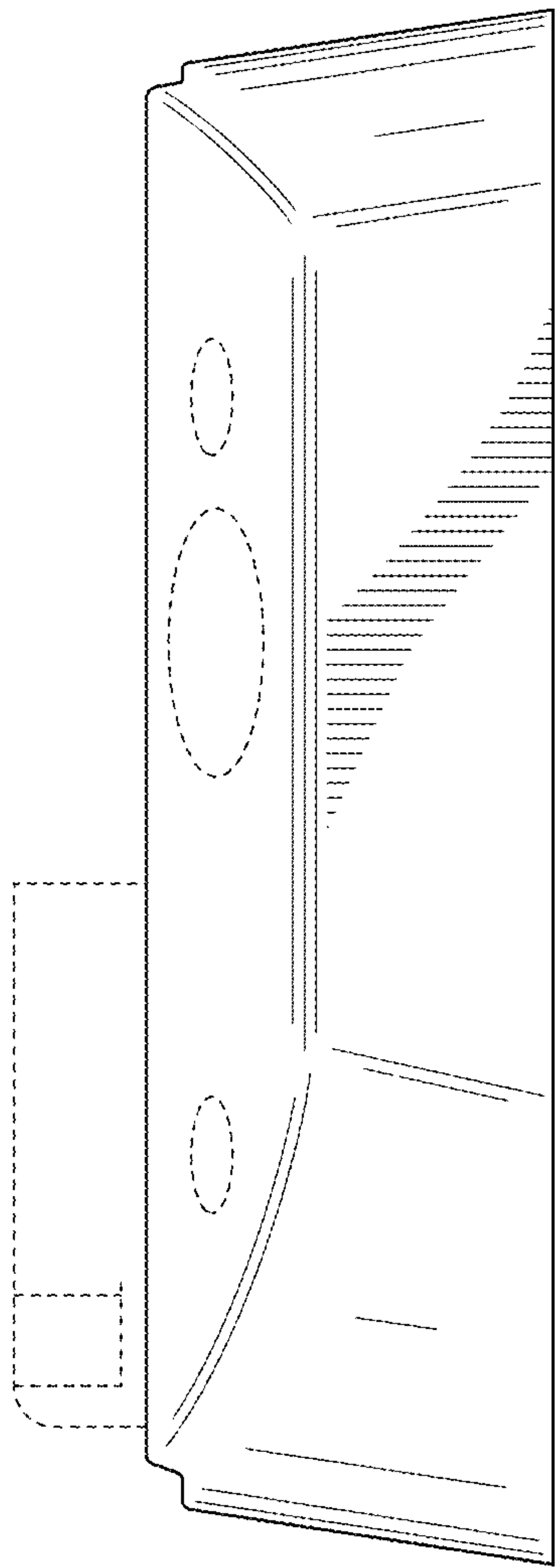


FIG. 4

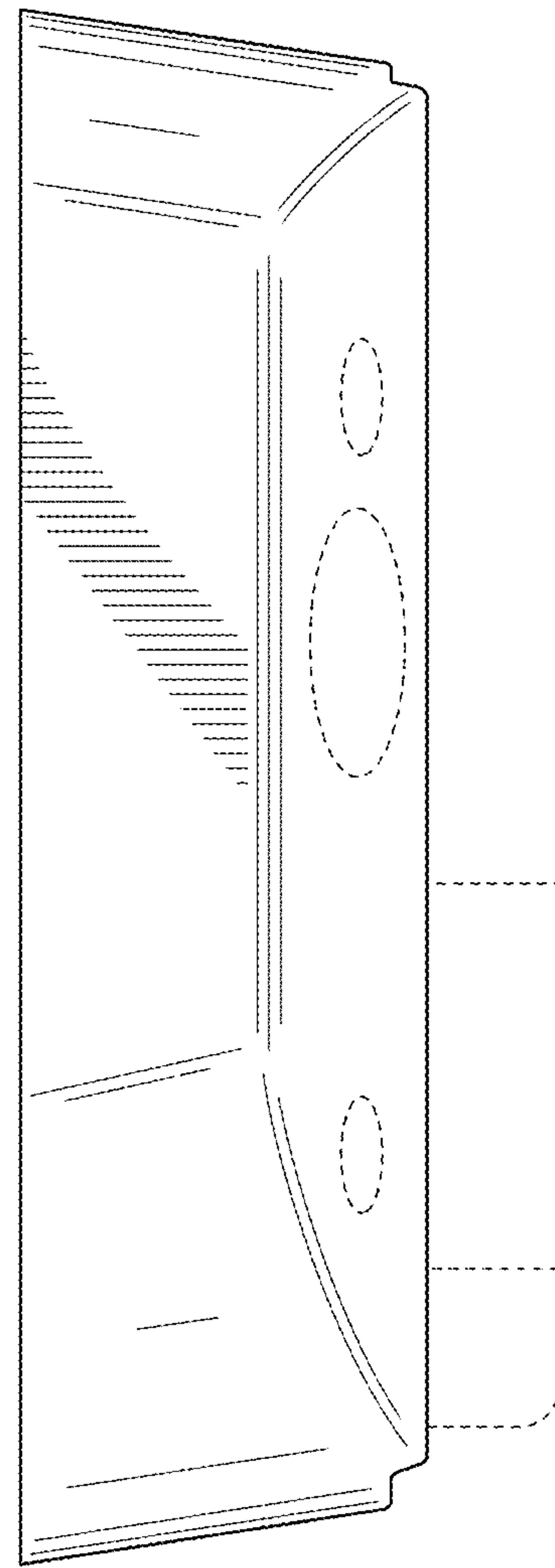


FIG. 5

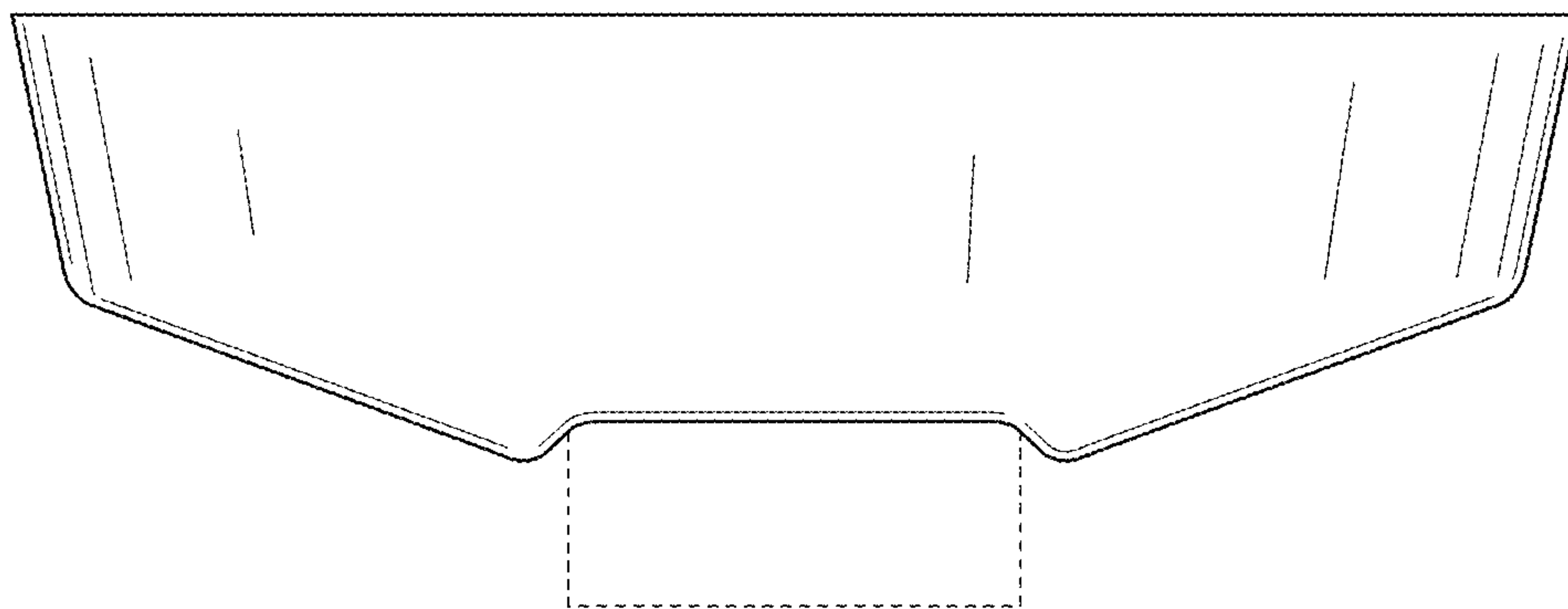


FIG. 6

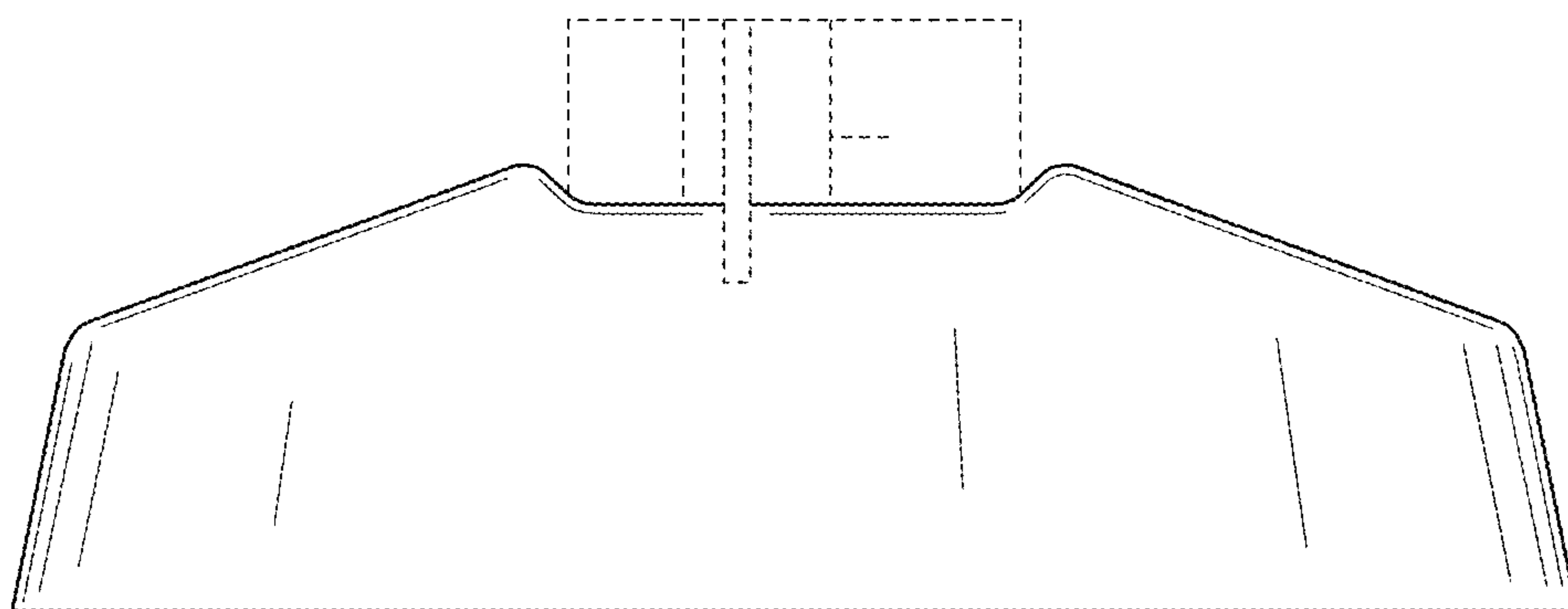


FIG. 7