



US00D710047S

(12) **United States Design Patent**
Hildebrandt

(10) **Patent No.:** **US D710,047 S**
(45) **Date of Patent:** **** Jul. 29, 2014**

(54) **RECESSED LIGHTING FIXTURE**

(56)

References Cited

(71) Applicant: **Zumtobel Lighting GmbH**, Lemgo (DE)

(72) Inventor: **Eugen Hildebrandt**, Lemgo (DE)

(73) Assignee: **Zumtobel Lighting GmbH**, Lemgo (DE)

(**) Term: **14 Years**

(21) Appl. No.: **29/460,485**

(22) Filed: **Jul. 11, 2013**

(30) **Foreign Application Priority Data**

Jan. 16, 2013 (EM) 001 357 636
Mar. 20, 2013 (EM) 001 364 624

(51) **LOC (10) Cl.** **26-05**

(52) **U.S. Cl.**
USPC **D26/74**

(58) **Field of Classification Search**

CPC F21S 8/02; F21S 8/026; F21V 7/06;
F21V 21/044; F21V 21/047; F21V 29/2212;
F21V 29/2225; F21V 29/2256; F21V 29/225;
F21V 29/2268; F21V 29/2262; F21Y
2111/002
USPC D26/74, 24, 72, 75, 76, 78, 79, 81, 82,
D26/88, 89, 91, 113, 118, 119, 120, 138,
D26/141, 142; 362/145, 146, 147, 148, 150,
362/151, 153, 153.1, 217.01, 223, 217.05,
362/217.07, 217.06, 217.15, 249.02,
362/296.07, 296.08, 311.02, 373, 800

See application file for complete search history.

U.S. PATENT DOCUMENTS

D326,537	S	*	5/1992	Gattari	D26/74
7,993,033	B2	*	8/2011	Moriyama et al.	362/296.01
D656,262	S	*	3/2012	Yoshinobu et al.	D26/74
D659,879	S	*	5/2012	Rashidi	D26/74
D681,859	S	*	5/2013	Beregszaszi	D26/74
D687,588	S	*	8/2013	Rashidi	D26/74
D691,315	S	*	10/2013	Samson	D26/74
D695,941	S	*	12/2013	Rashidi	D26/74
D696,448	S	*	12/2013	Huh	D26/74
2012/0327638	A1	*	12/2012	Tajima et al.	362/147
2013/0114260	A1	*	5/2013	Lopez et al.	362/249.02
2013/0322084	A1	*	12/2013	Ebisawa	362/269
2014/0003061	A1	*	1/2014	Chen et al.	362/311.02

* cited by examiner

Primary Examiner — Angela J Lee

(74) *Attorney, Agent, or Firm* — Marshall, Gerstein & Borun LLP

(57)

CLAIM

The ornamental design for a recessed lighting fixture, as shown and described.

DESCRIPTION

FIG. 1 is a front, left-side, and bottom isometric view of a recessed lighting fixture that has the design.

FIG. 2 is a back elevation view of the recessed lighting fixture.

FIG. 3 is a right-side elevation view of the recessed lighting fixture.

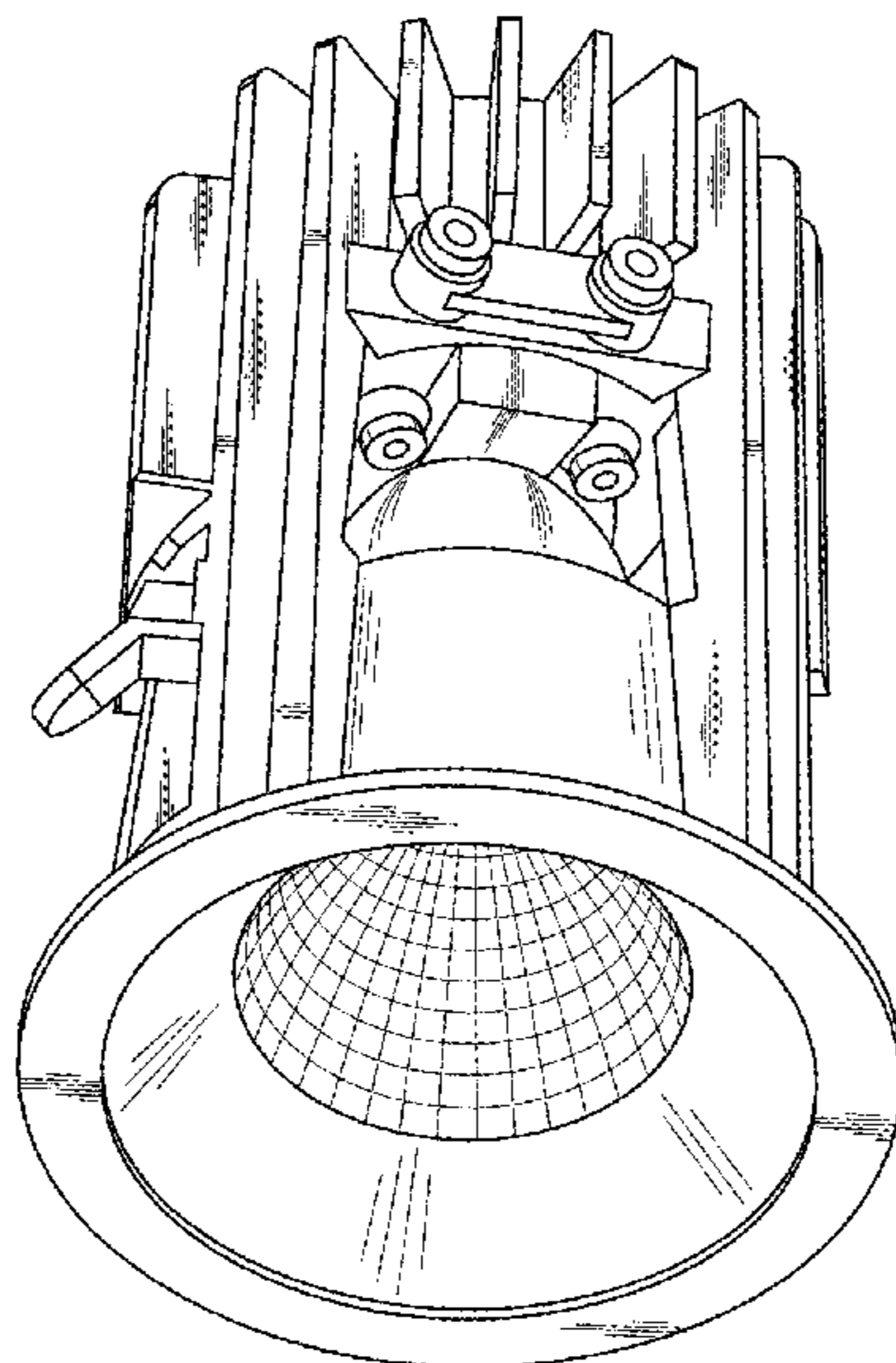
FIG. 4 is a front elevation view of the recessed lighting fixture.

FIG. 5 is a left-side elevation view of the recessed lighting fixture.

FIG. 6 is a bottom plan view of the recessed lighting fixture; and,

FIG. 7 is a top plan view of the recessed lighting fixture.

1 Claim, 7 Drawing Sheets



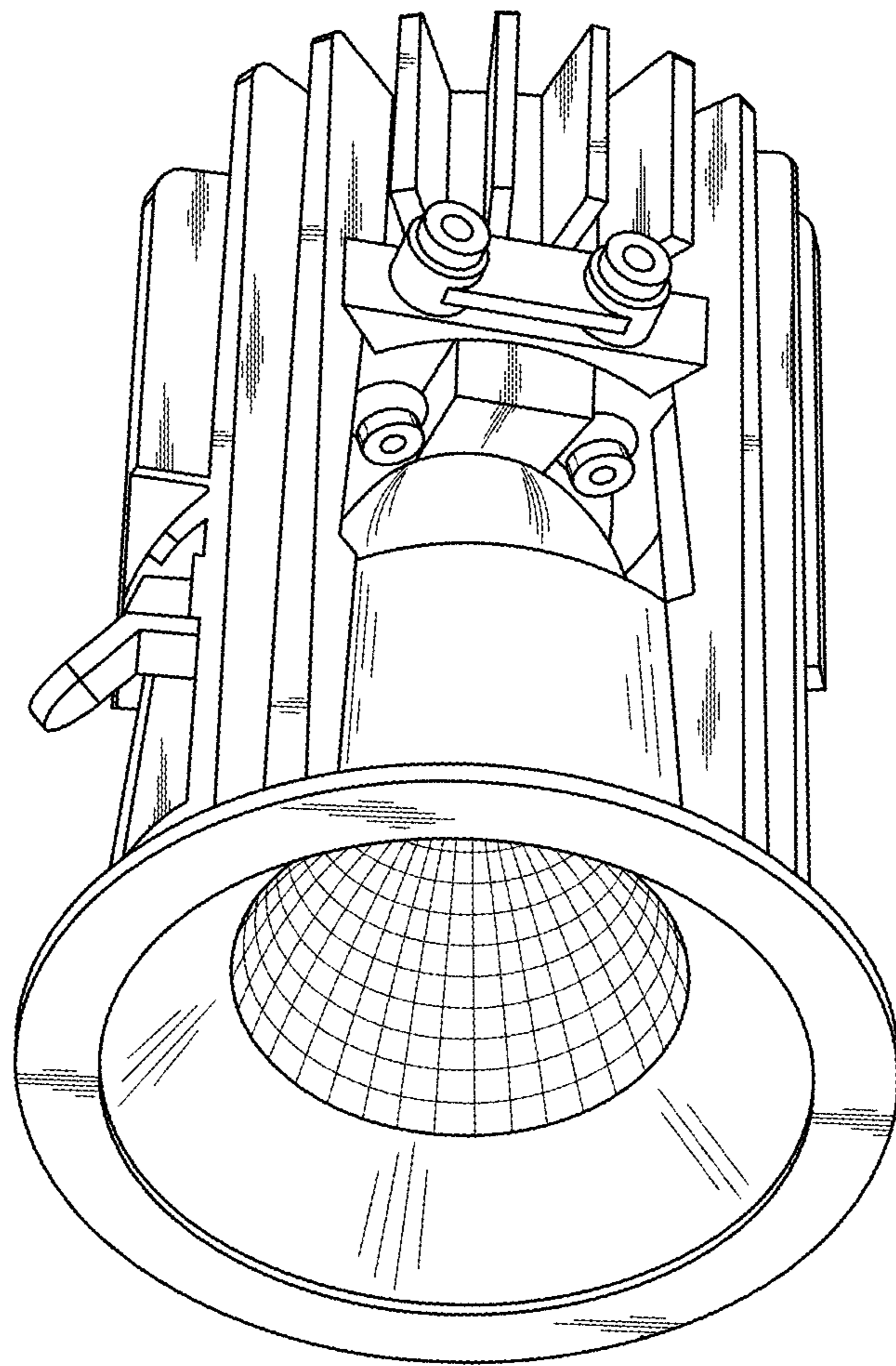


Fig. 1

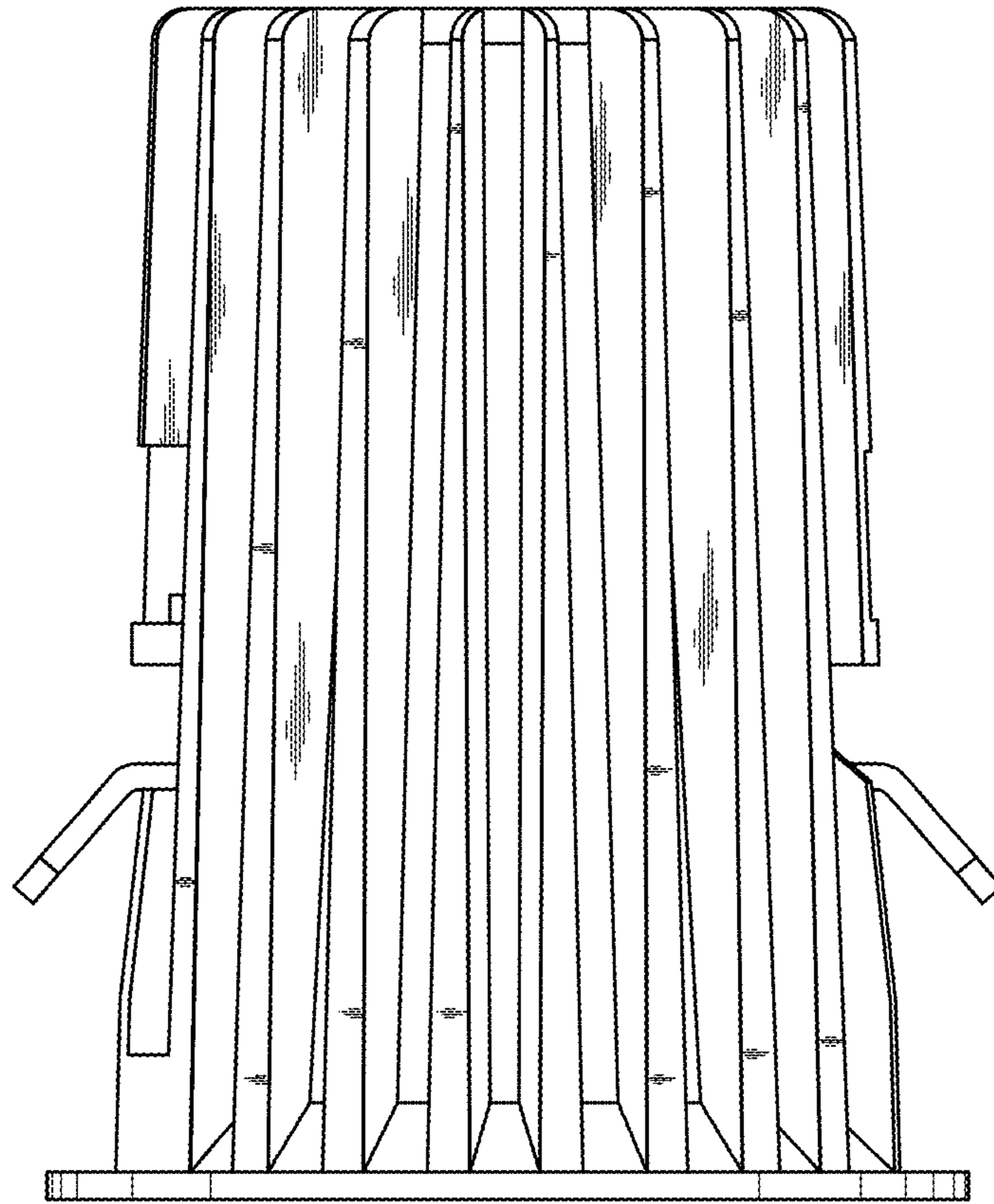


Fig. 2

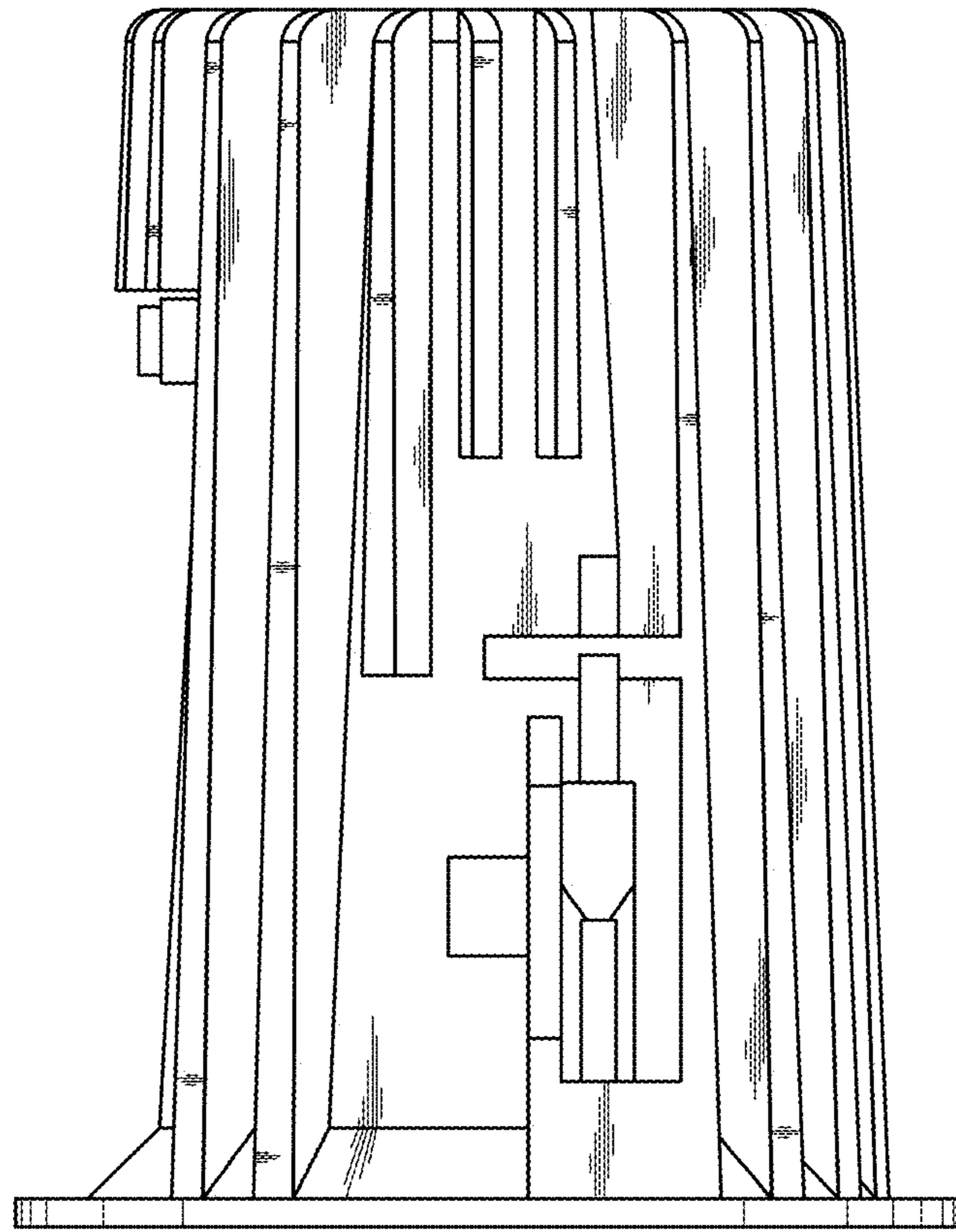


Fig. 3

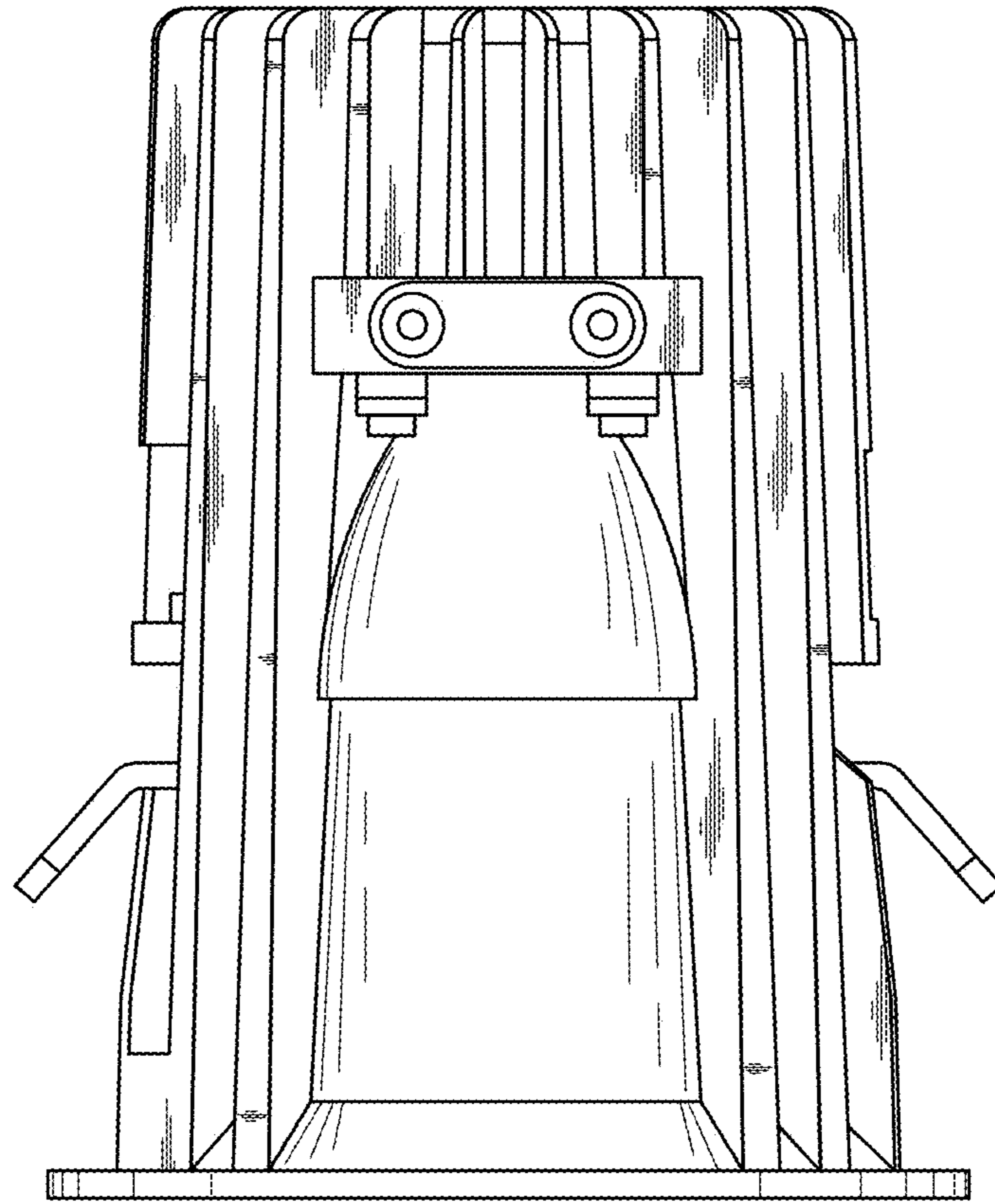


Fig. 4

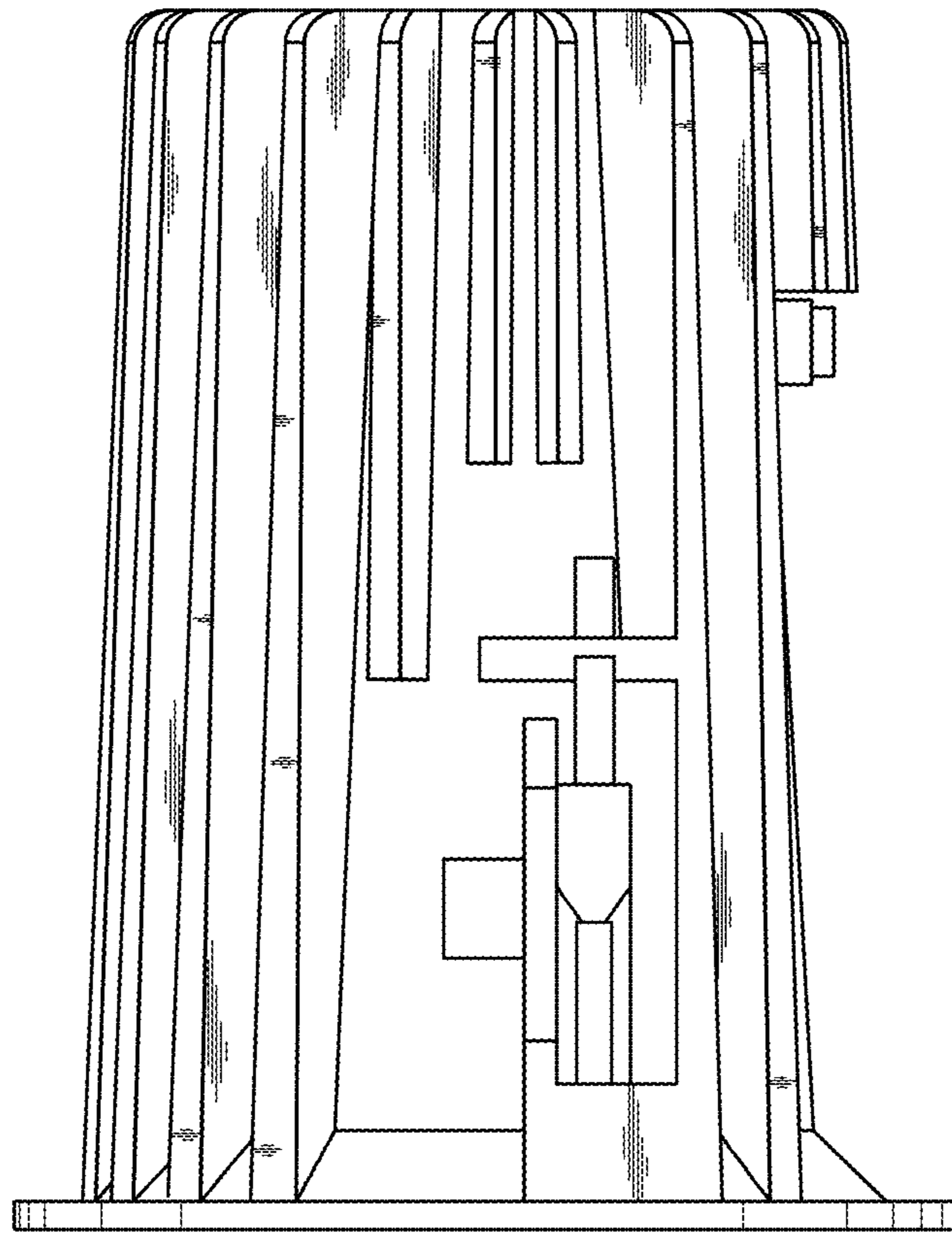


Fig. 5

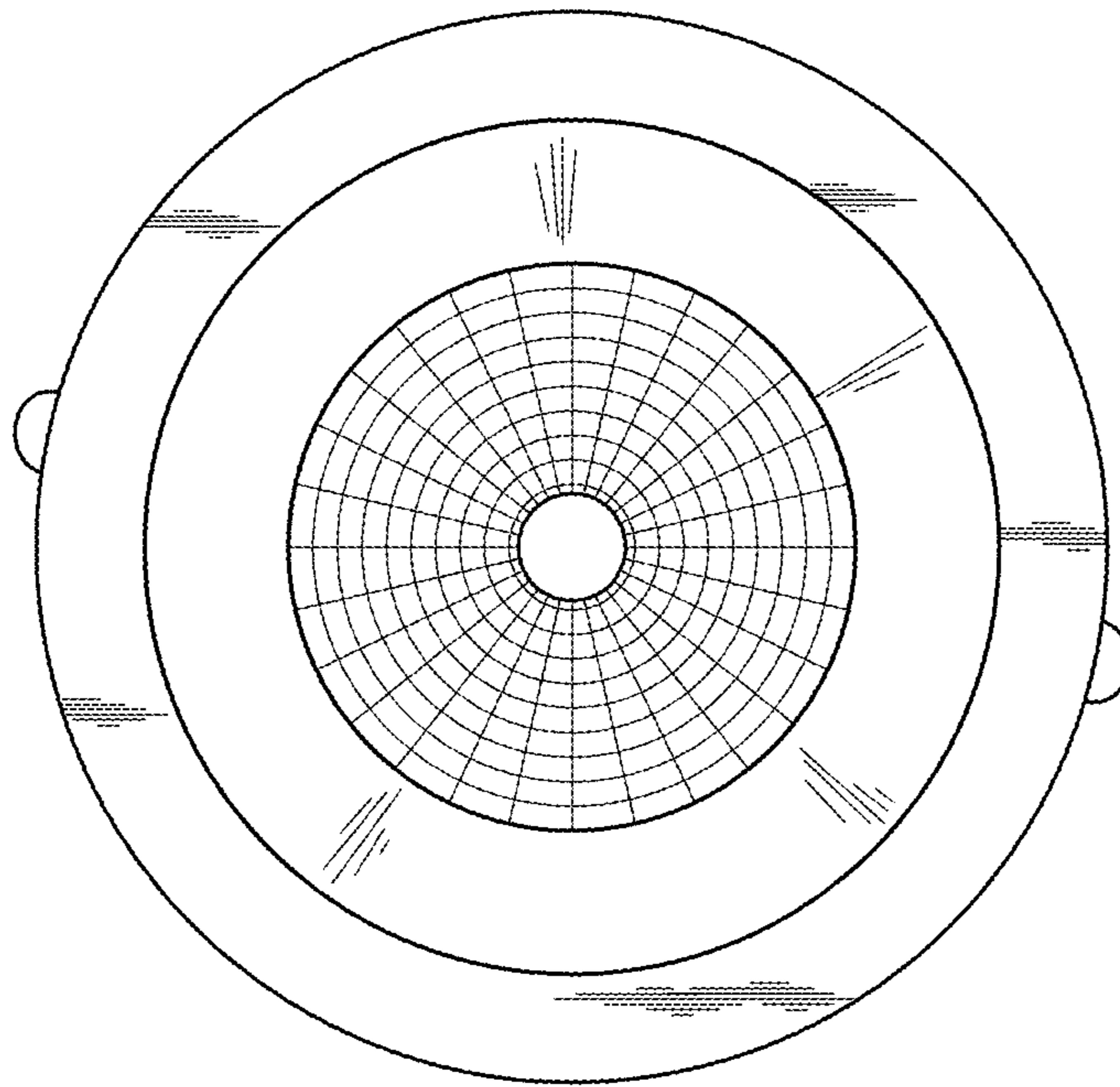


Fig. 6

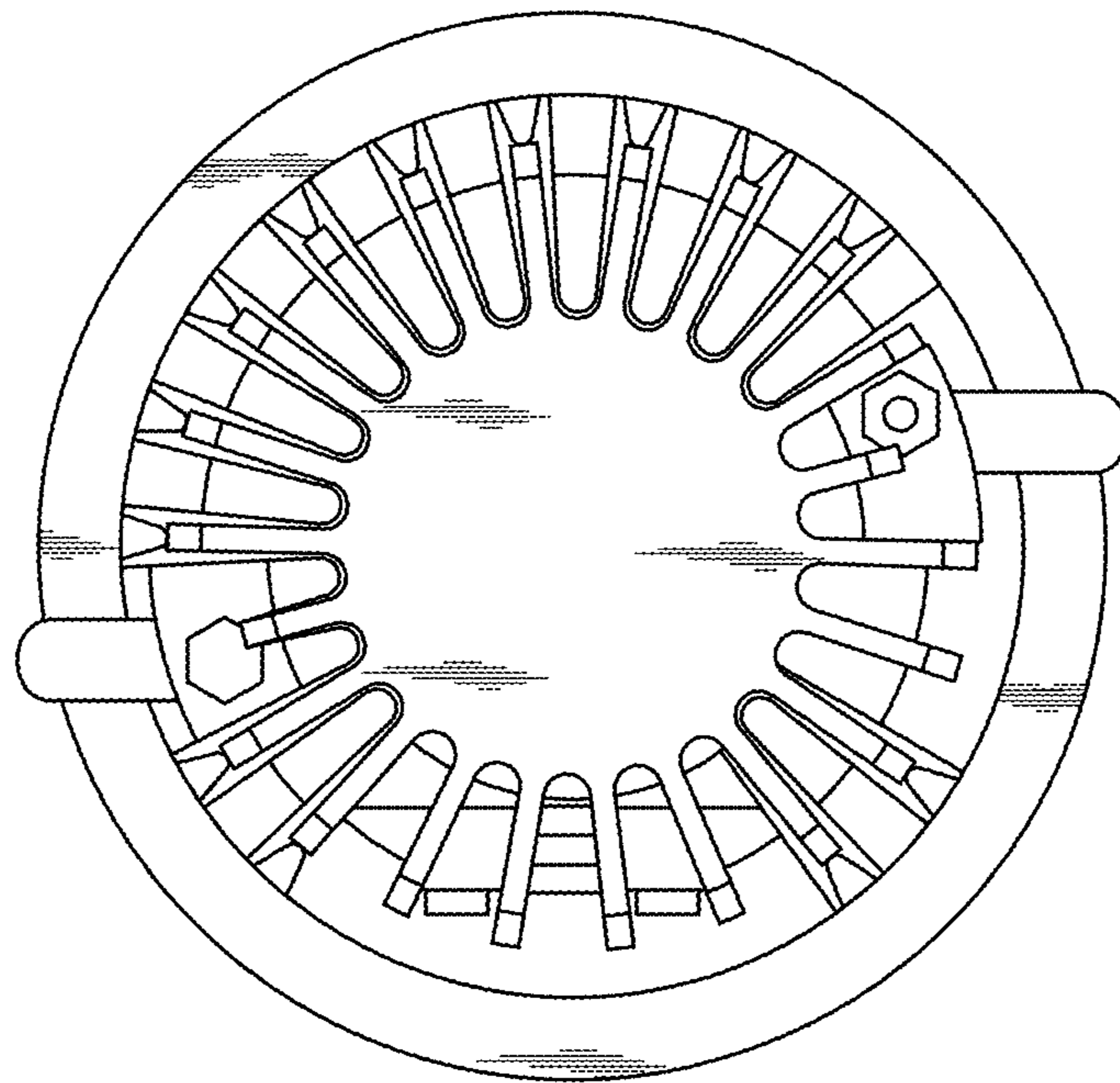


Fig. 7