



US00D710046S

(12) **United States Design Patent**
Mocek

(10) **Patent No.:** **US D710,046 S**

(45) **Date of Patent:** **** Jul. 29, 2014**

(54) **LIGHTING DEVICE**

(71) Applicant: **MacTronic Sp z. o.o.**, Wroclaw (PL)

(72) Inventor: **Bartosz Mocek**, Wroclaw (PL)

(73) Assignee: **MacTronic Sp. z o.o. SP.K.**, Wroclaw (PL)

(**) Term: **14 Years**

(21) Appl. No.: **29/451,062**

(22) Filed: **Mar. 27, 2013**

(30) **Foreign Application Priority Data**

Mar. 7, 2013 (EM) 002198283-0001

(51) **LOC (10) Cl.** **26-05**

(52) **U.S. Cl.**
USPC **D26/71**

(58) **Field of Classification Search**
CPC F21S 8/085; F21S 8/086; F21S 8/088;
F21V 21/14
USPC D26/67-71, 92; 362/249.01, 249.02,
362/235-237, 157, 183
See application file for complete search history.

(56) **References Cited**

U.S. PATENT DOCUMENTS

D573,741 S * 7/2008 Lou D26/71
D609,384 S * 2/2010 Gray et al. D26/71
7,775,692 B2* 8/2010 Li 362/431

D641,908 S * 7/2011 McKee D26/71
D648,885 S * 11/2011 Toratani D26/71
8,235,563 B2* 8/2012 Zheng 362/373
8,356,916 B2* 1/2013 Gordin et al. 362/249.02
8,425,071 B2* 4/2013 Ruud et al. 362/101
D694,934 S * 12/2013 Zheng et al. D26/71
D699,383 S * 2/2014 Coulbeaut D26/71
8,651,693 B2* 2/2014 Josefowicz et al. 362/235

* cited by examiner

Primary Examiner — Clare E Heflin

(74) *Attorney, Agent, or Firm* — Maier & Maier, PLLC

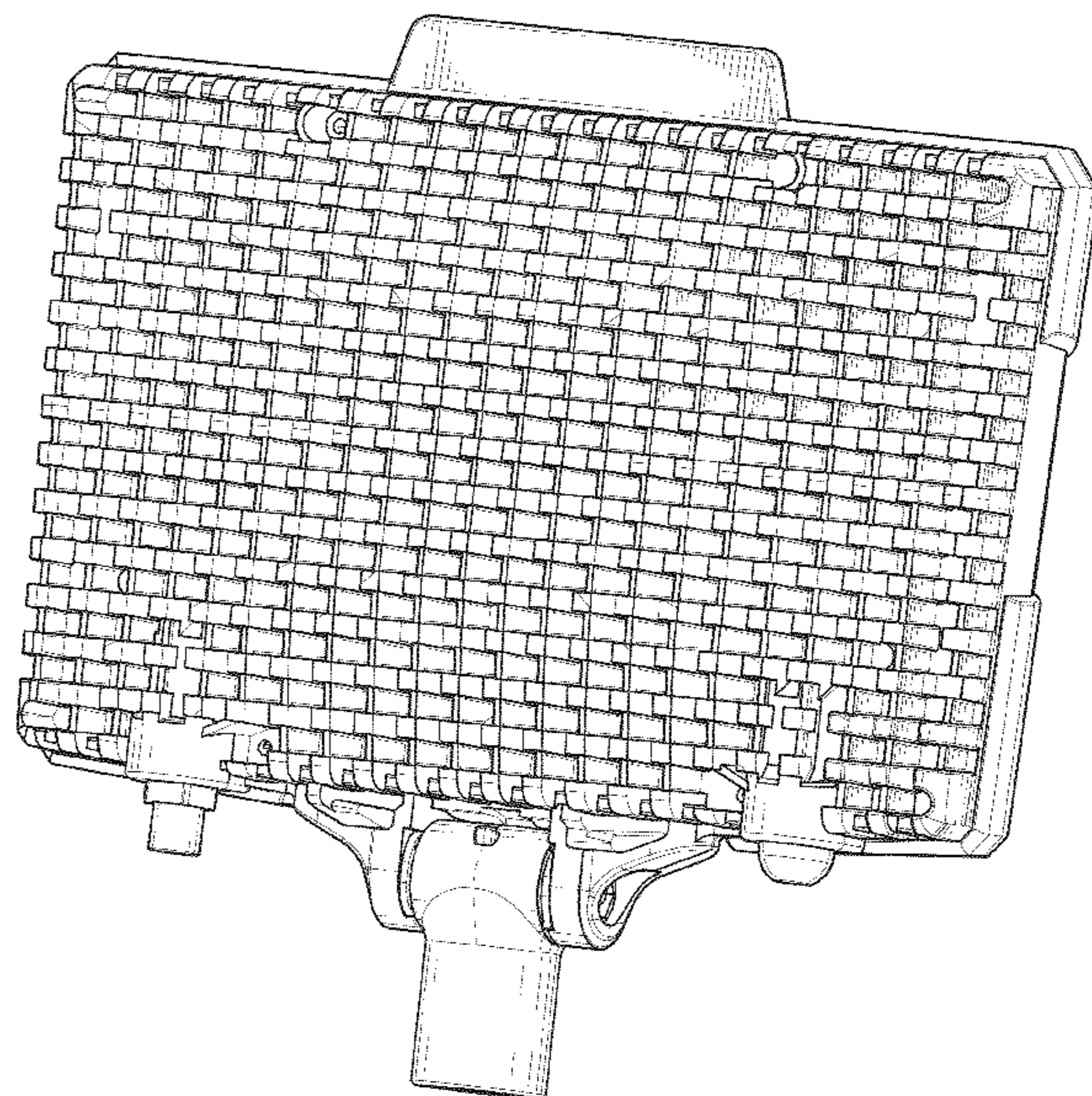
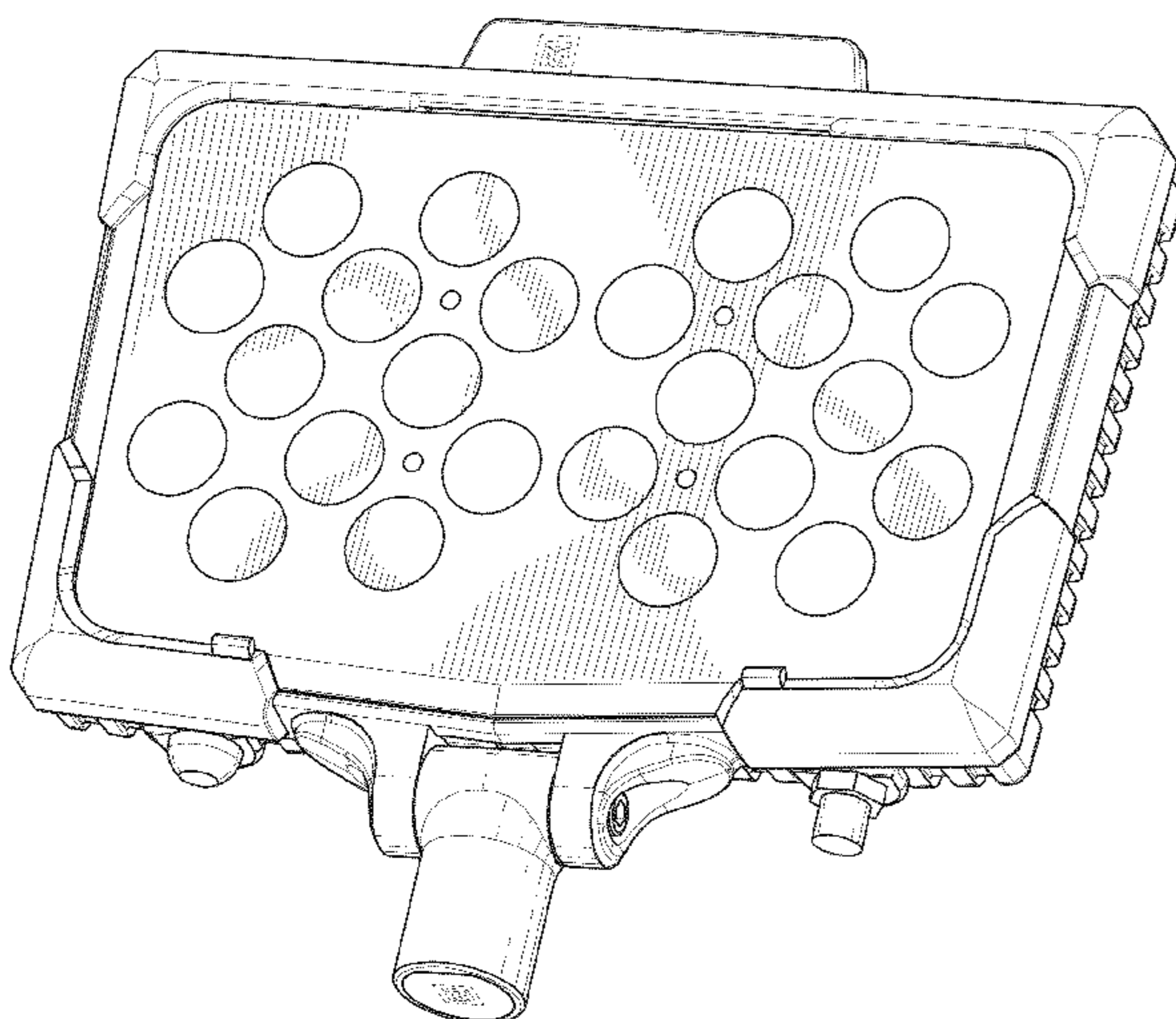
(57) **CLAIM**

The ornamental design for a lighting device, as shown and described.

DESCRIPTION

FIG. 1 is a front perspective view of a lighting device, showing my design;
FIG. 2 is a rear perspective view thereof;
FIG. 3 is a front view thereof;
FIG. 4 is a rear view thereof;
FIG. 5 is a top view thereof;
FIG. 6 is a bottom view thereof;
FIG. 7 is a left side view thereof; and,
FIG. 8 is a right side view thereof.
The broken line showing in the drawings is included for the purpose of illustrating portions of the lighting device and forms no part of the claimed design.

1 Claim, 6 Drawing Sheets



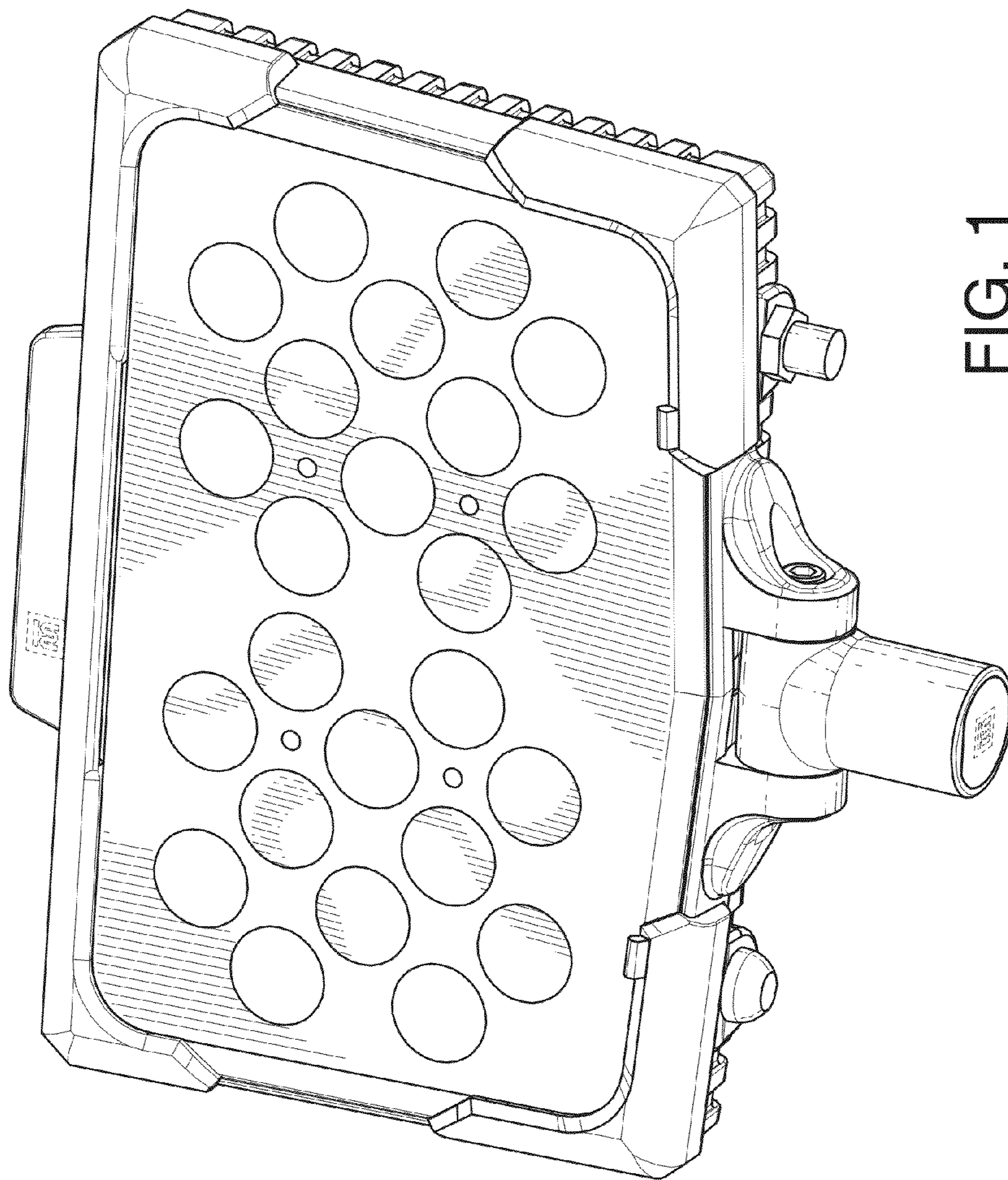


FIG. 1

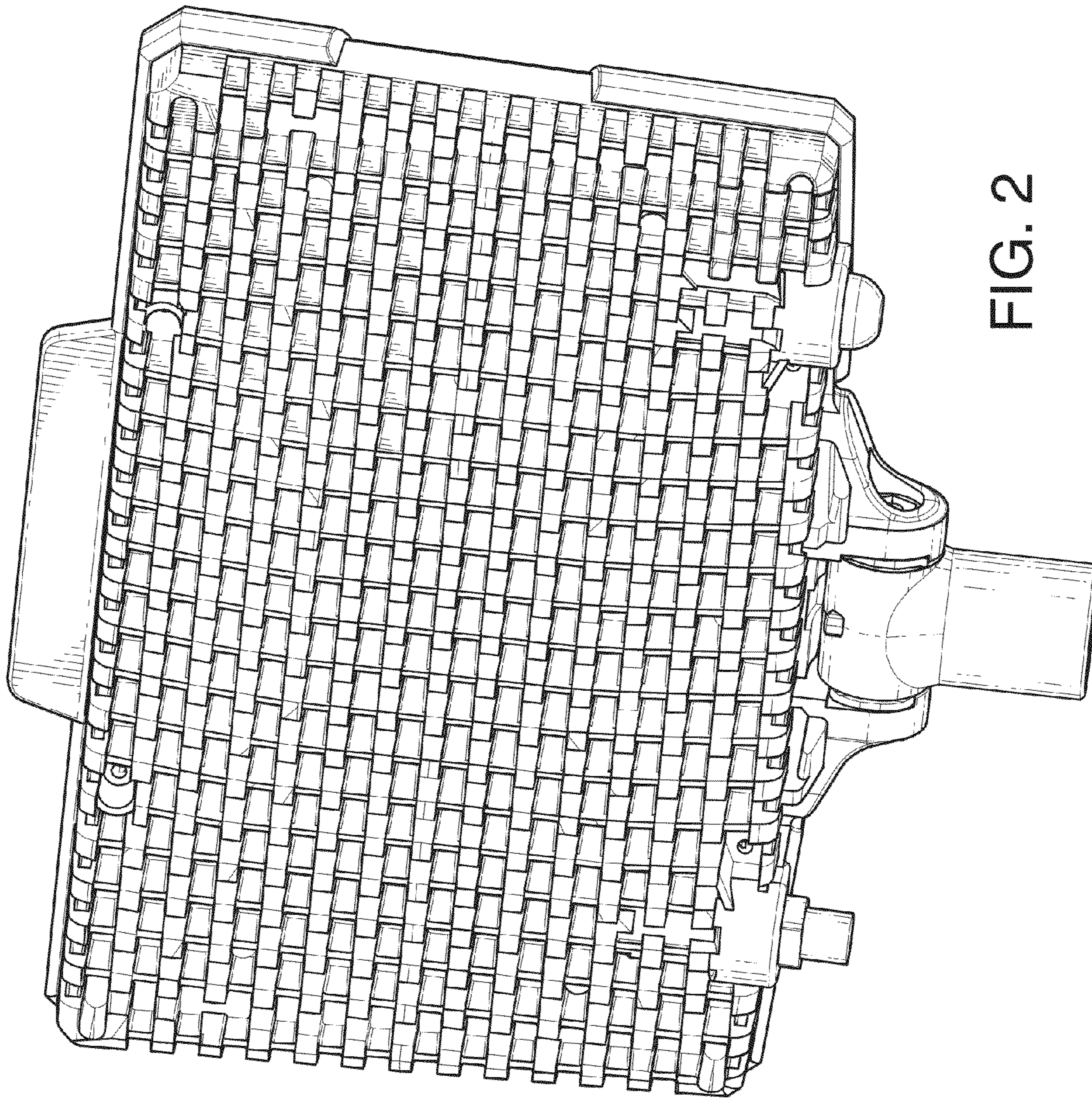


FIG. 2

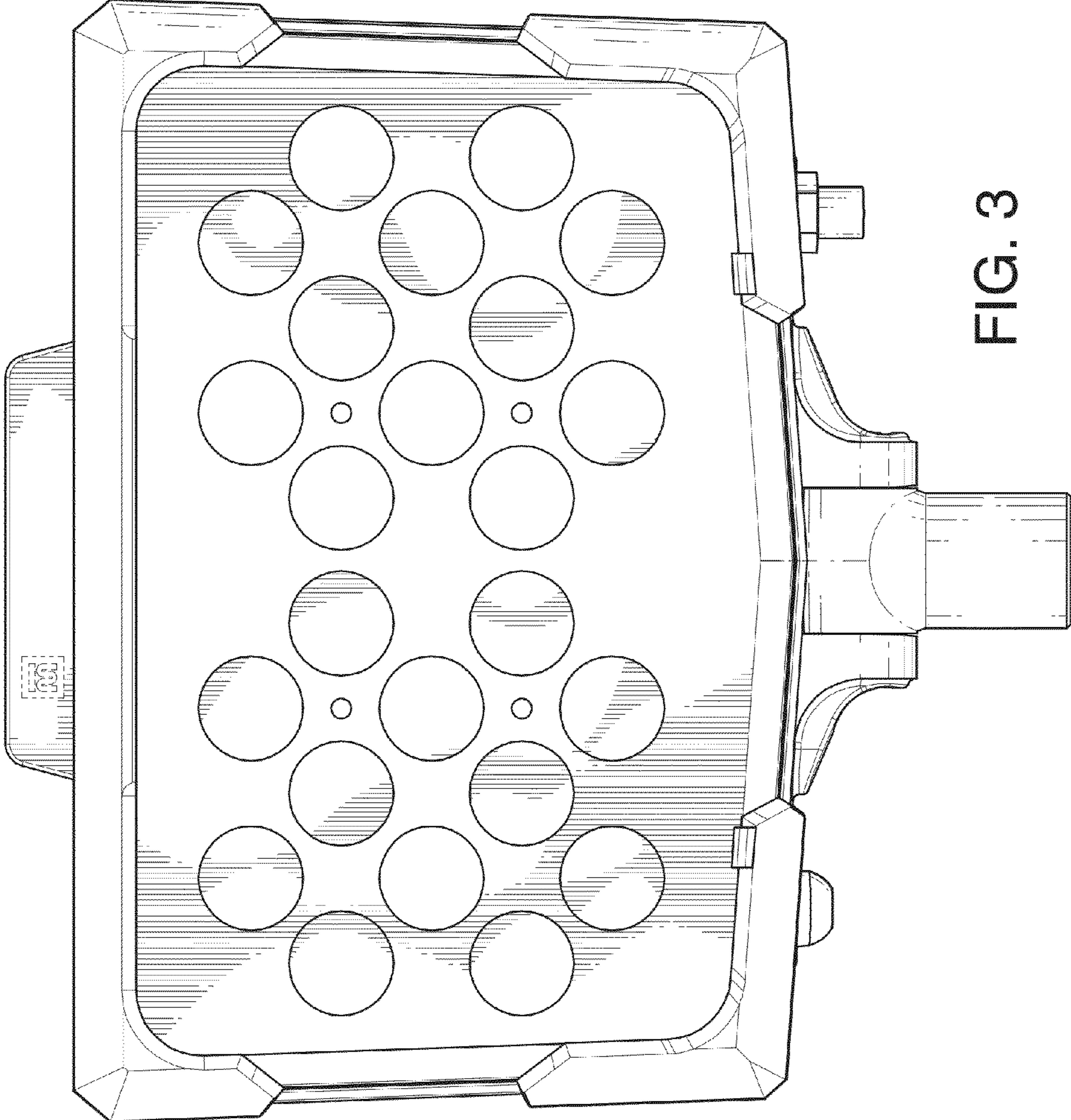


FIG. 3

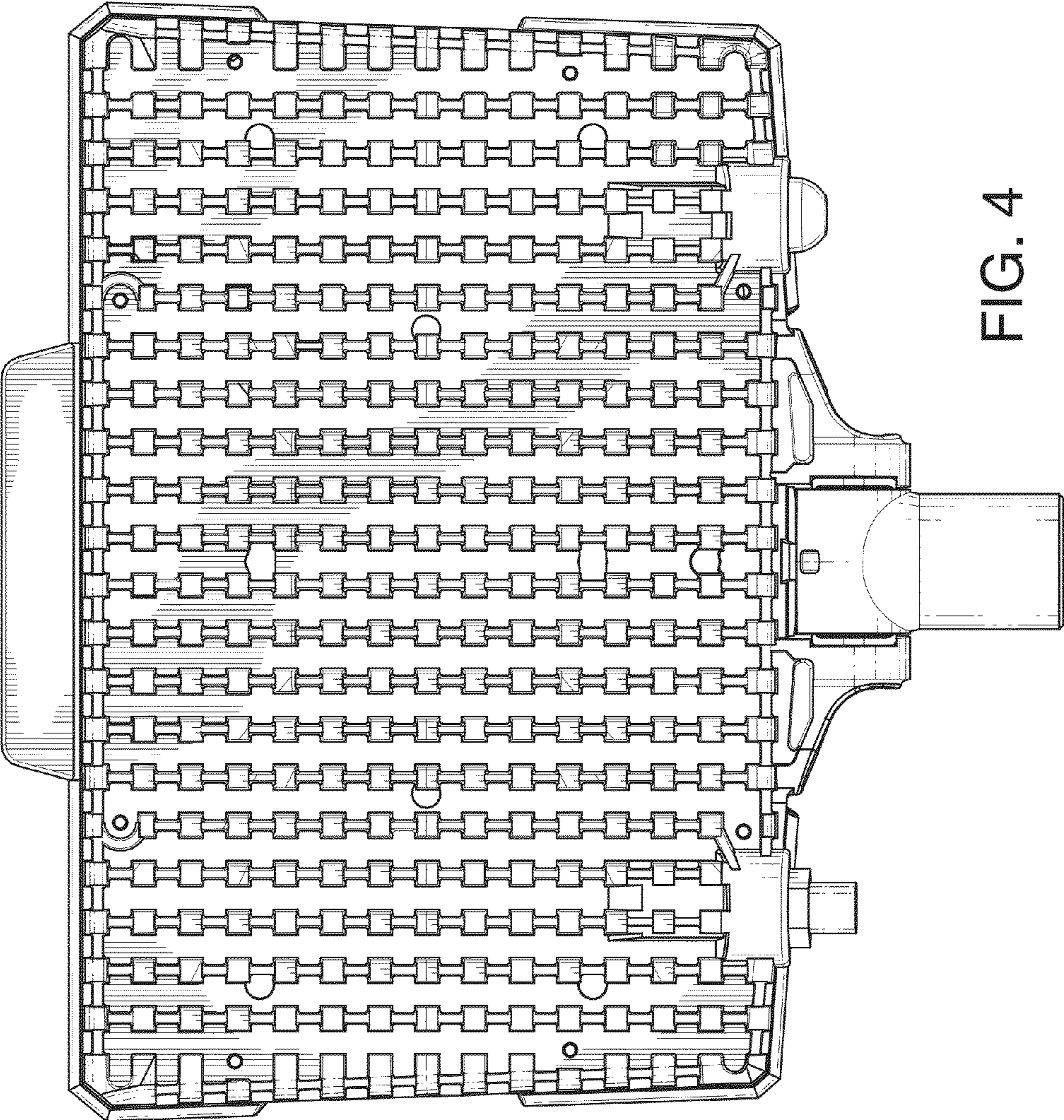


FIG. 4

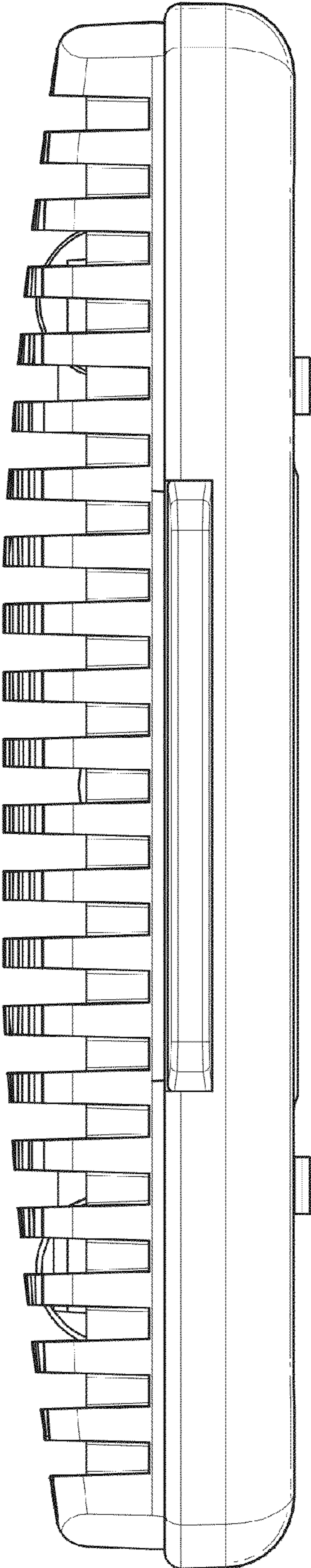


FIG. 5

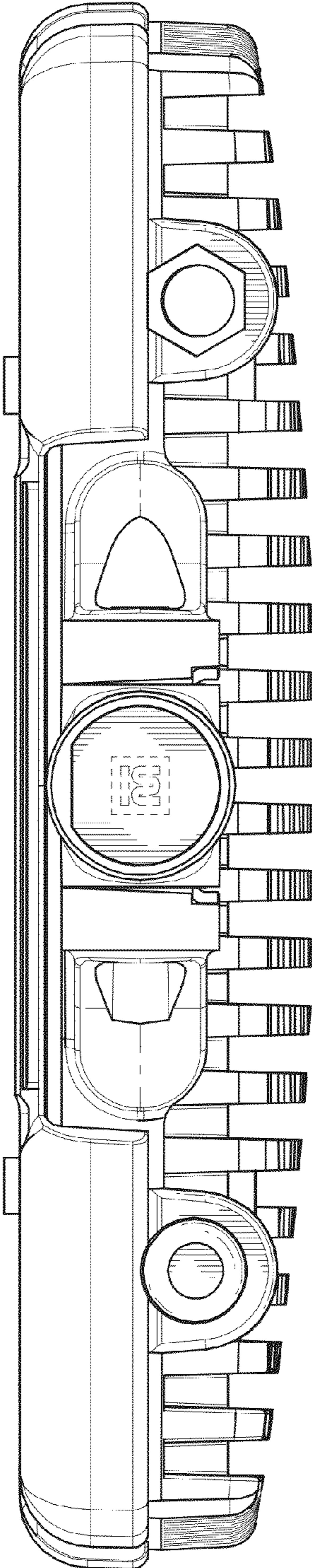


FIG. 6

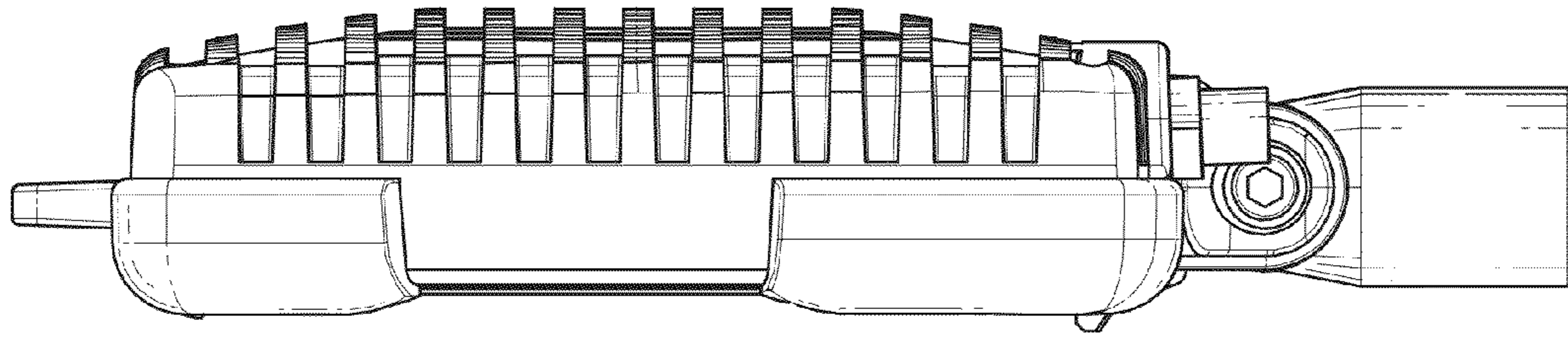


FIG. 8

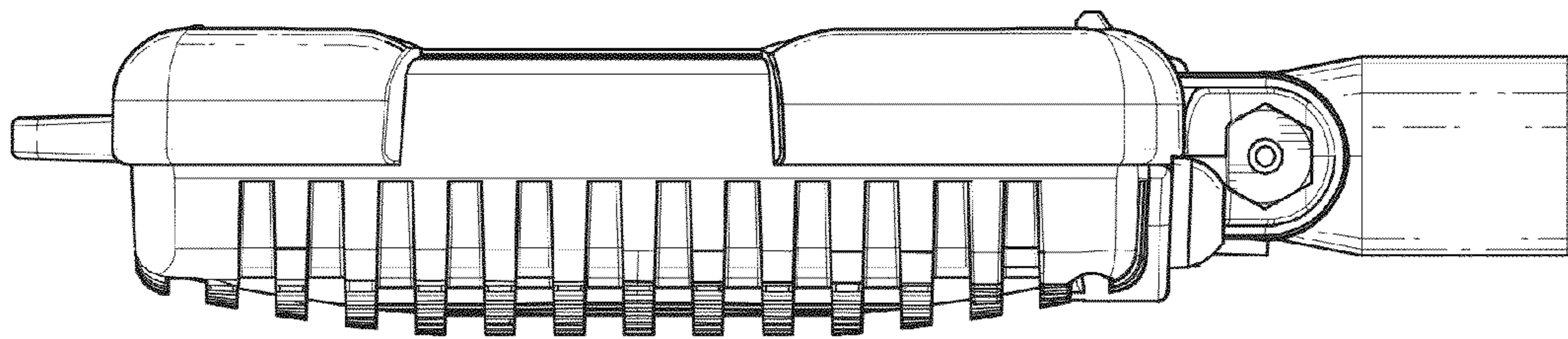


FIG. 7