



US00D710043S

(12) **United States Design Patent**
Liao

(10) **Patent No.:** **US D710,043 S**
(45) **Date of Patent:** **** Jul. 29, 2014**

(54) **BRAKE LIGHT FOR A BICYCLE**
(71) Applicant: **Su-Chang Liao**, Taichung (TW)
(72) Inventor: **Su-Chang Liao**, Taichung (TW)
(73) Assignee: **S-Sun Enterprise Co., Ltd.**, Taichung (TW)
(**) Term: **14 Years**
(21) Appl. No.: **29/435,210**
(22) Filed: **Oct. 22, 2012**

(30) **Foreign Application Priority Data**
May 9, 2012 (TW) 101208760
(51) **LOC (10) Cl.** **26-06**
(52) **U.S. Cl.**
USPC **D26/28**
(58) **Field of Classification Search**
USPC D26/28-36; 362/459-468, 475-478,
362/485-487
See application file for complete search history.

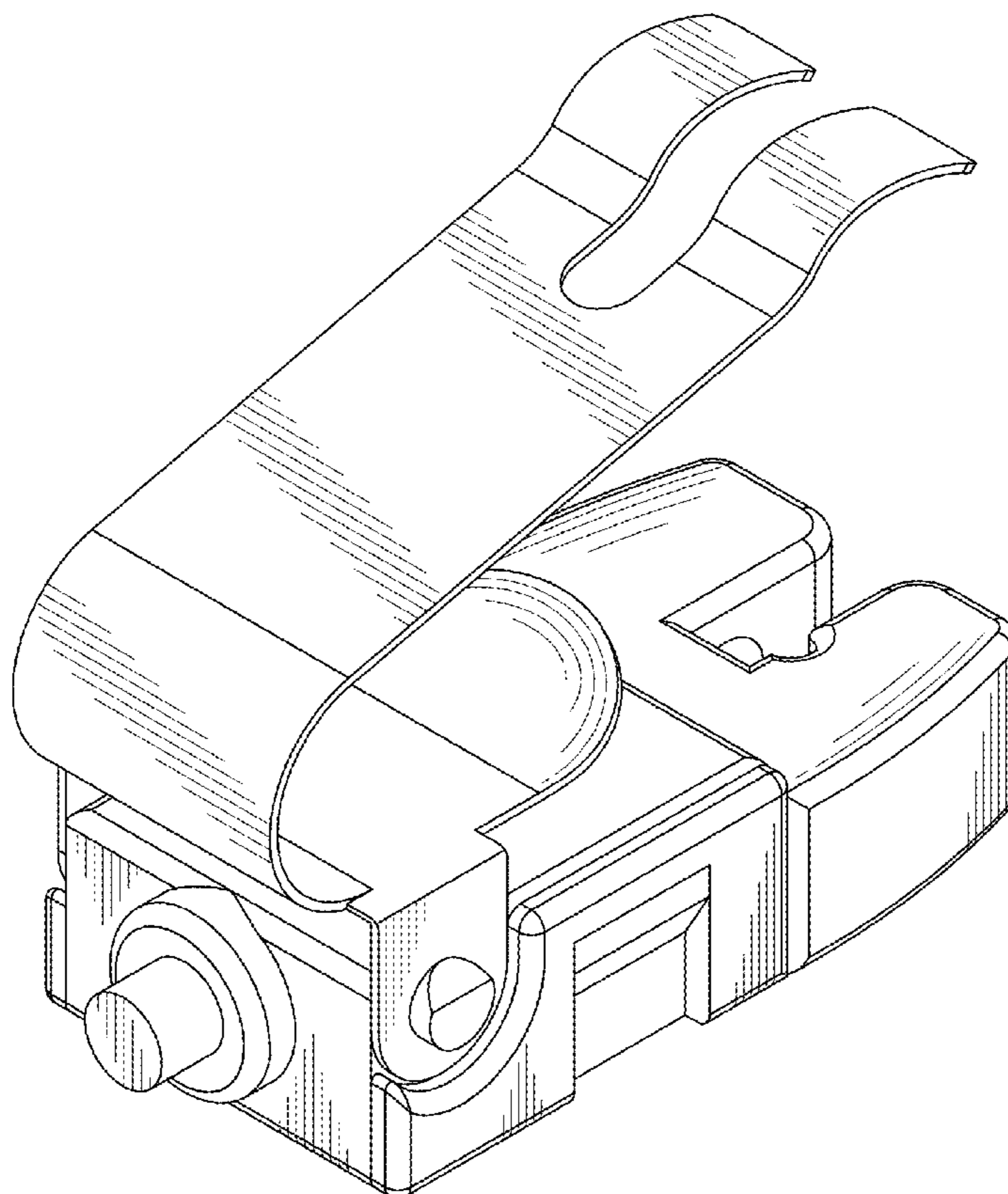
(56) **References Cited**
U.S. PATENT DOCUMENTS
D529,205 S * 9/2006 Nagano D26/28
D529,639 S * 10/2006 Okuda D26/28
D540,966 S * 4/2007 Ueda et al. D26/28
D644,771 S * 9/2011 Okuda D26/28

* cited by examiner
Primary Examiner — Marcus Jackson

(57) **CLAIM**
The ornamental design for a brake light for a bicycle, as shown and described.

DESCRIPTION
FIG. 1 is a perspective view of a brake light for a bicycle showing my new design;
FIG. 2 is a front elevational view thereof;
FIG. 3 is a rear elevational view thereof;
FIG. 4 is a left side view thereof;
FIG. 5 is a right side view thereof;
FIG. 6 is a top plan view thereof;
FIG. 7 is a bottom plan view thereof; and,
FIG. 8 is another perspective view thereof.

1 Claim, 8 Drawing Sheets



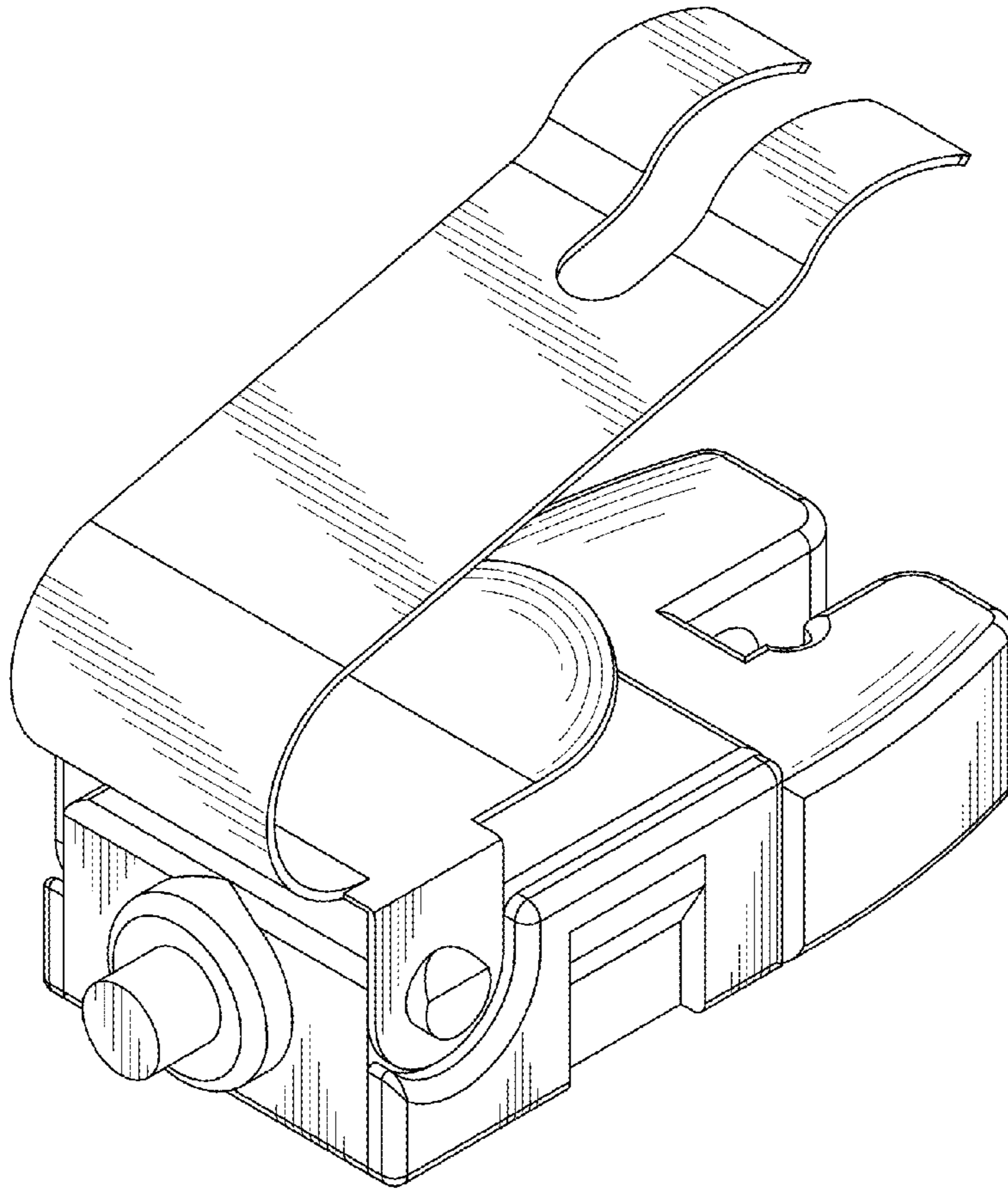


FIG. 1

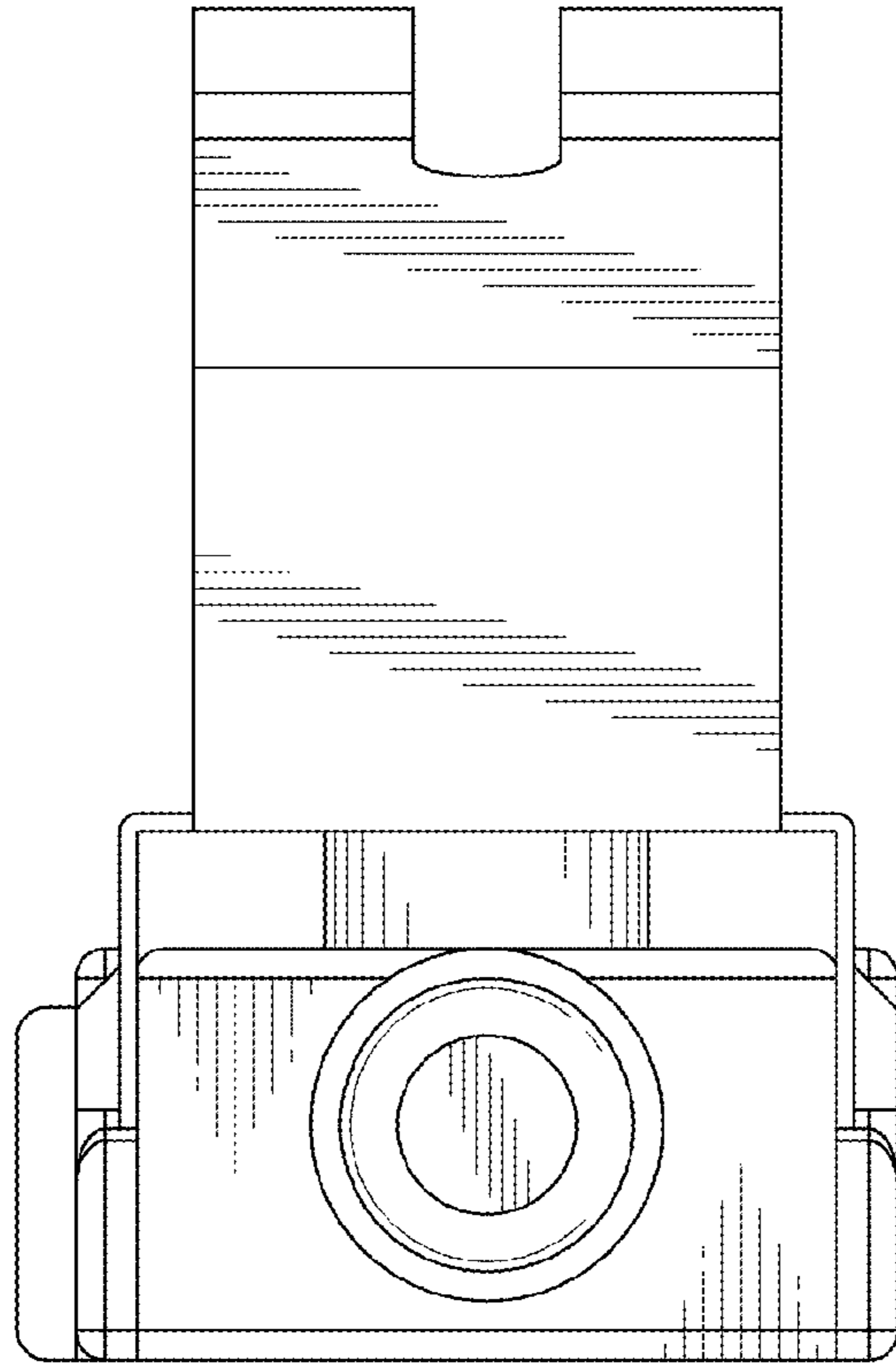


FIG. 2

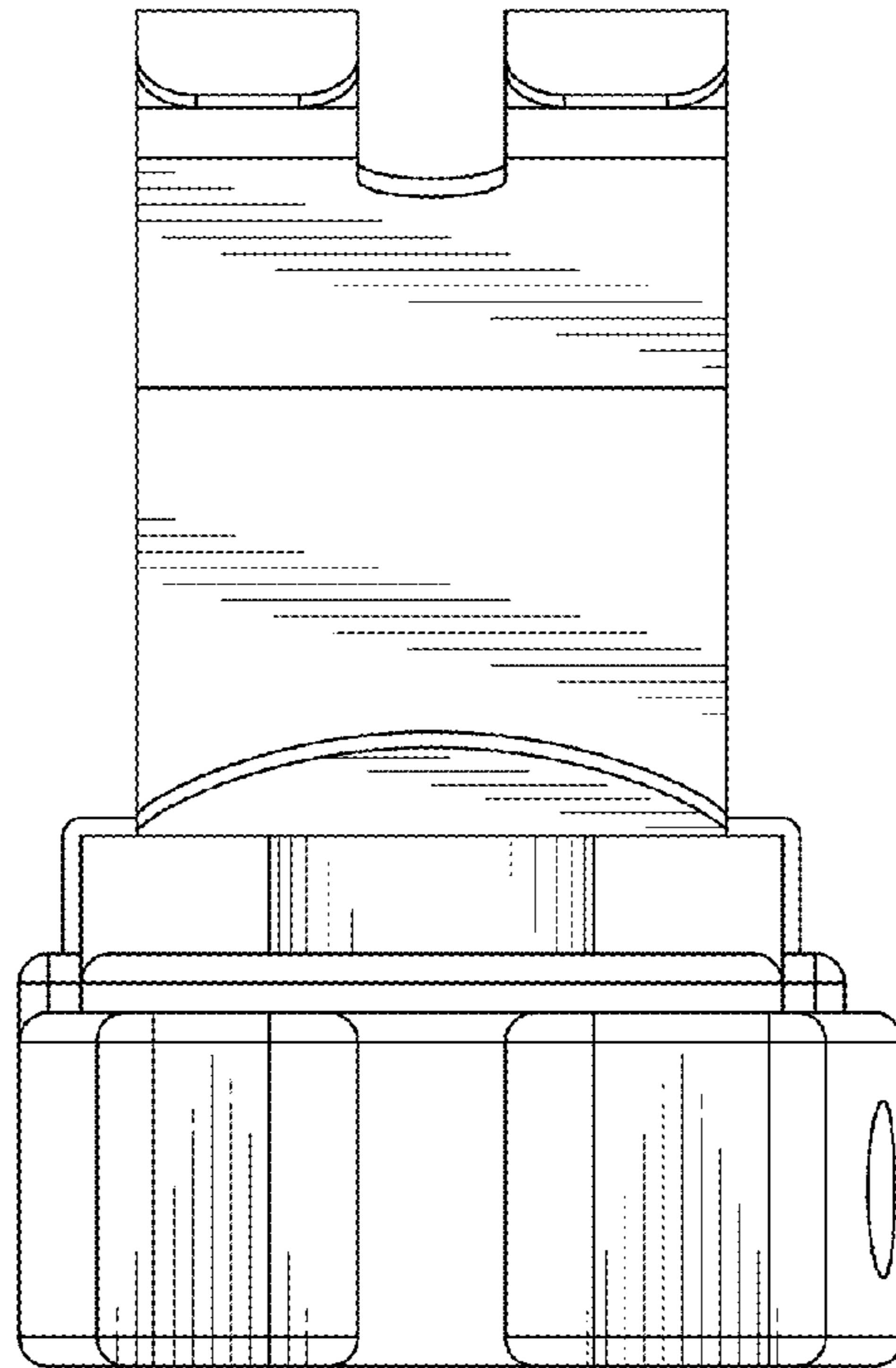


FIG. 3

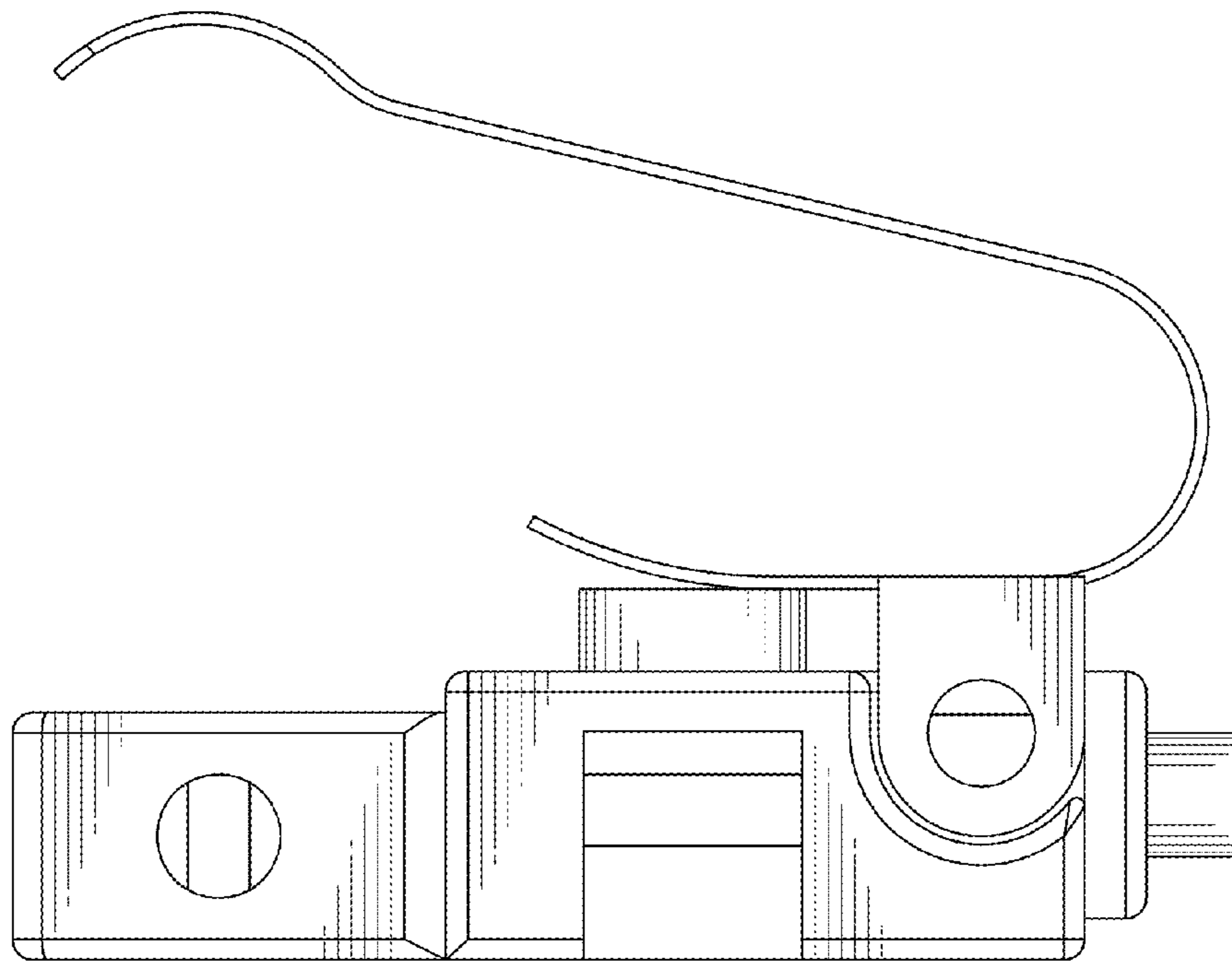


FIG. 4

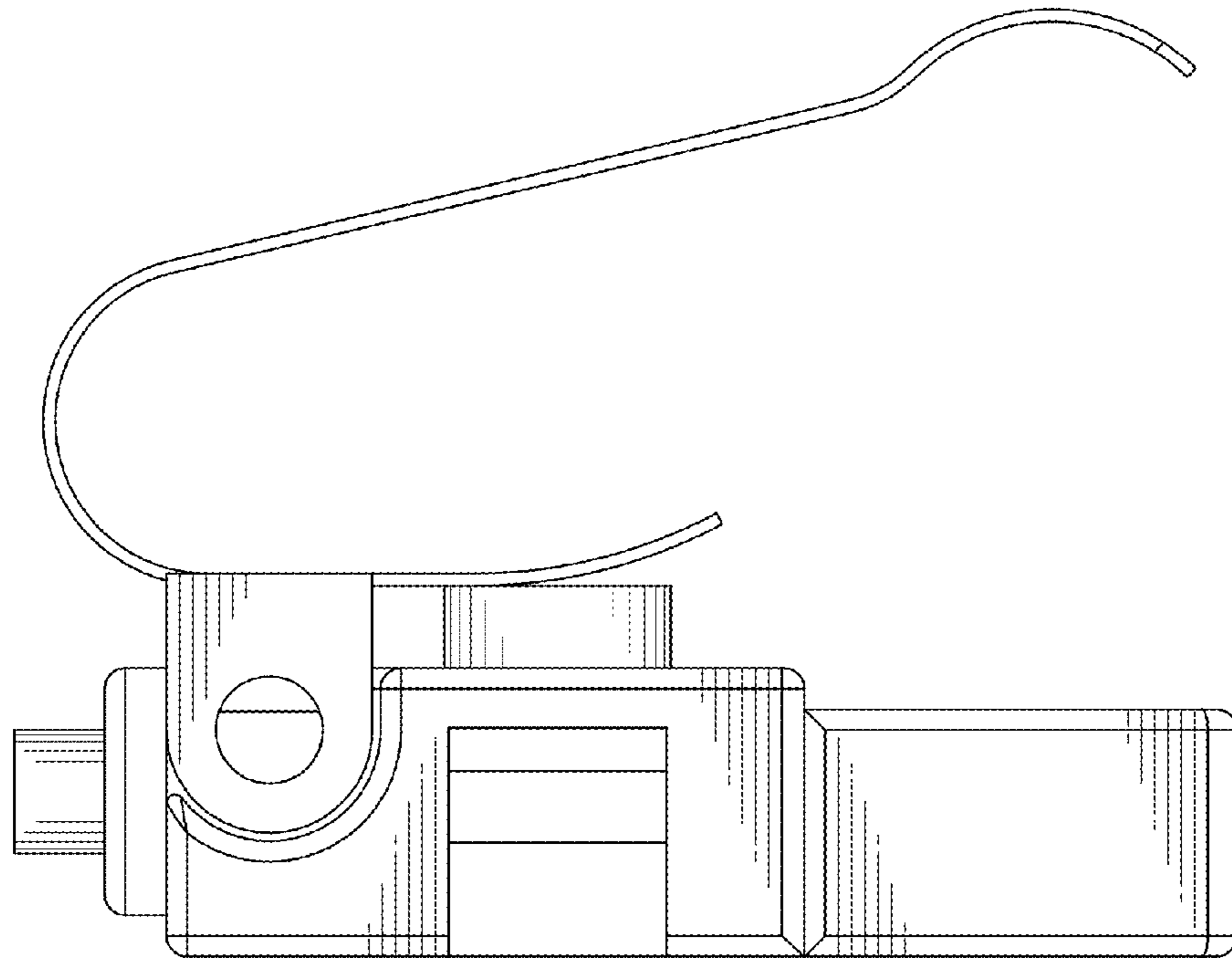


FIG. 5

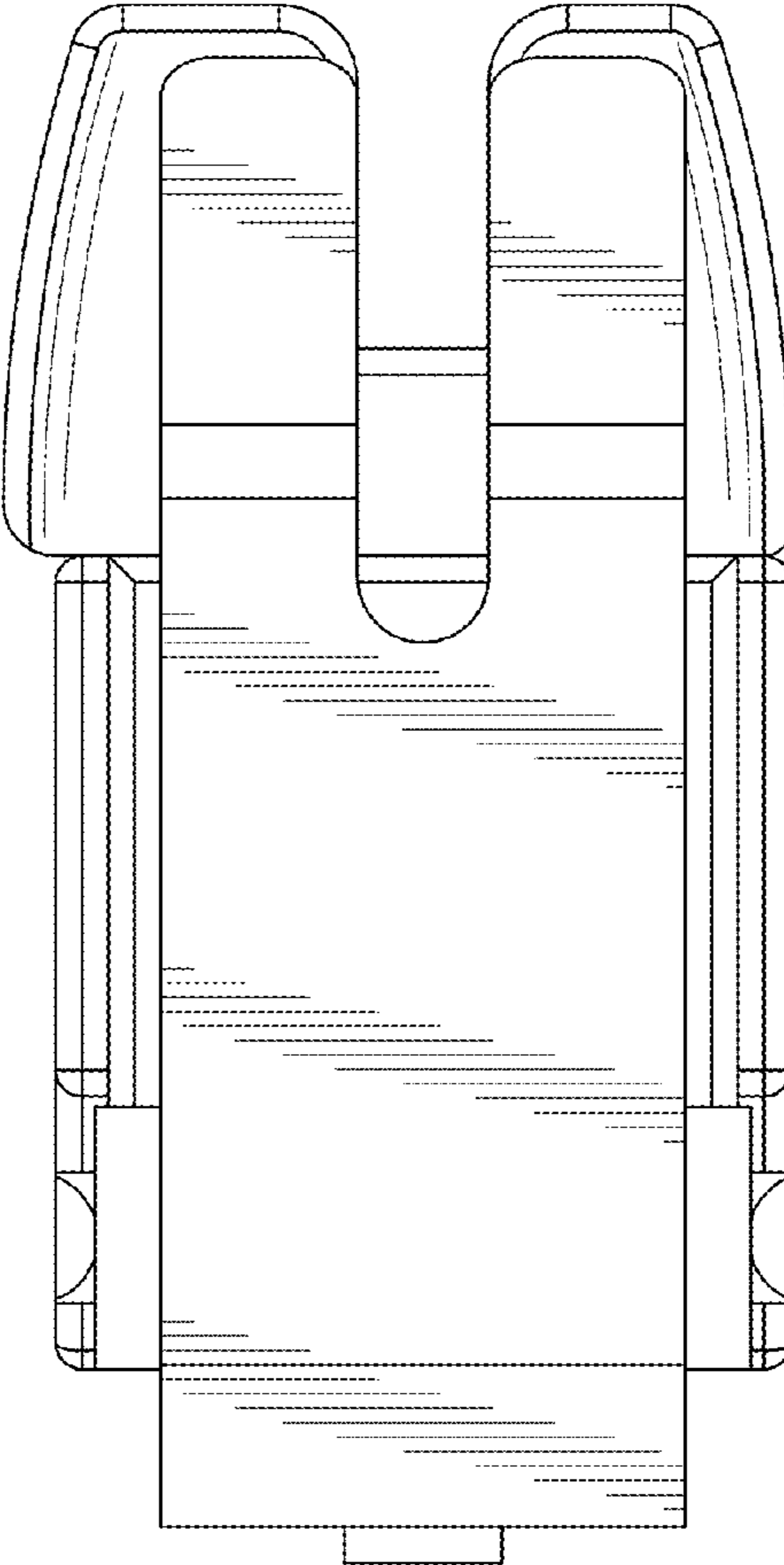


FIG. 6

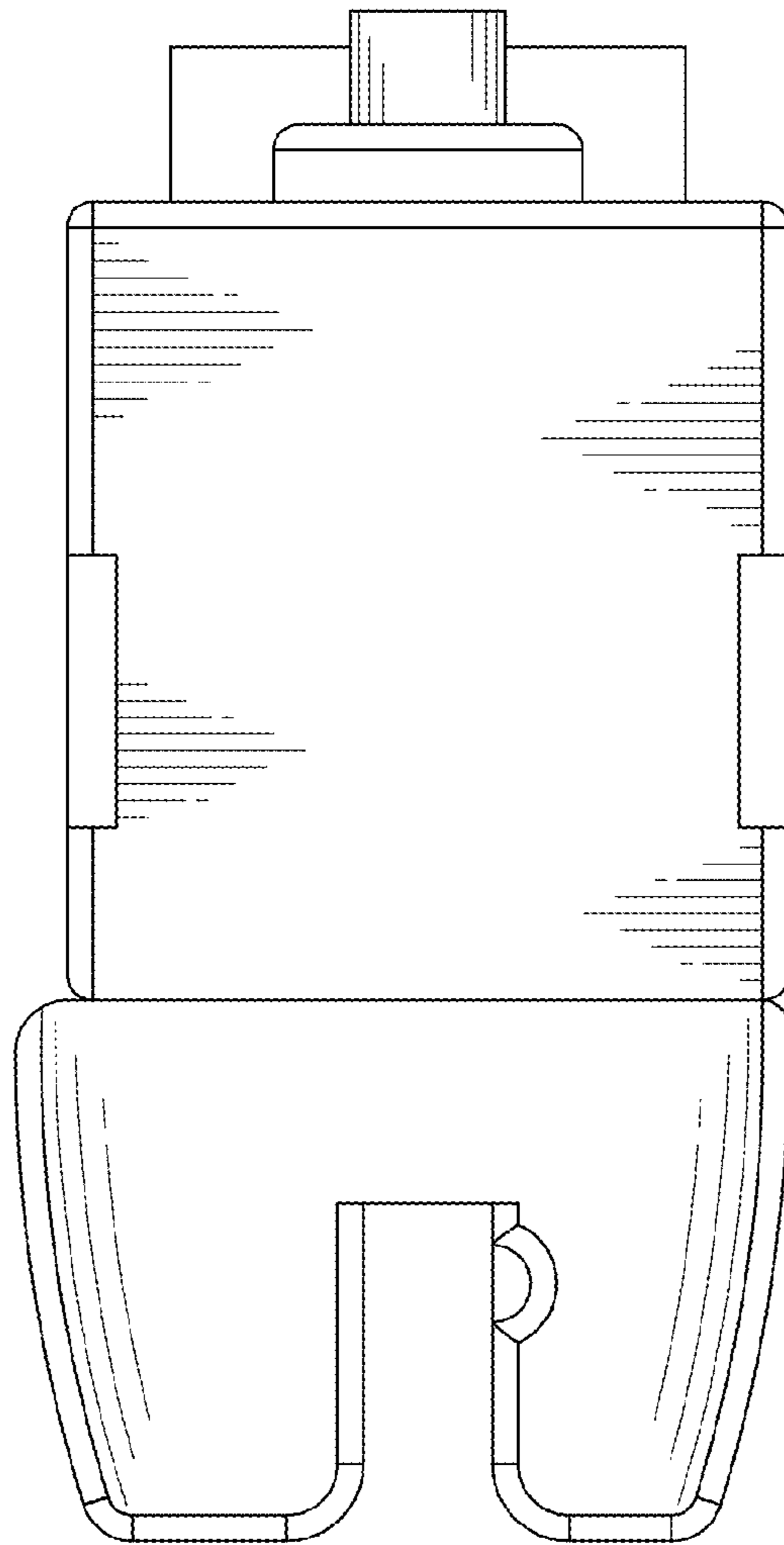


FIG. 7

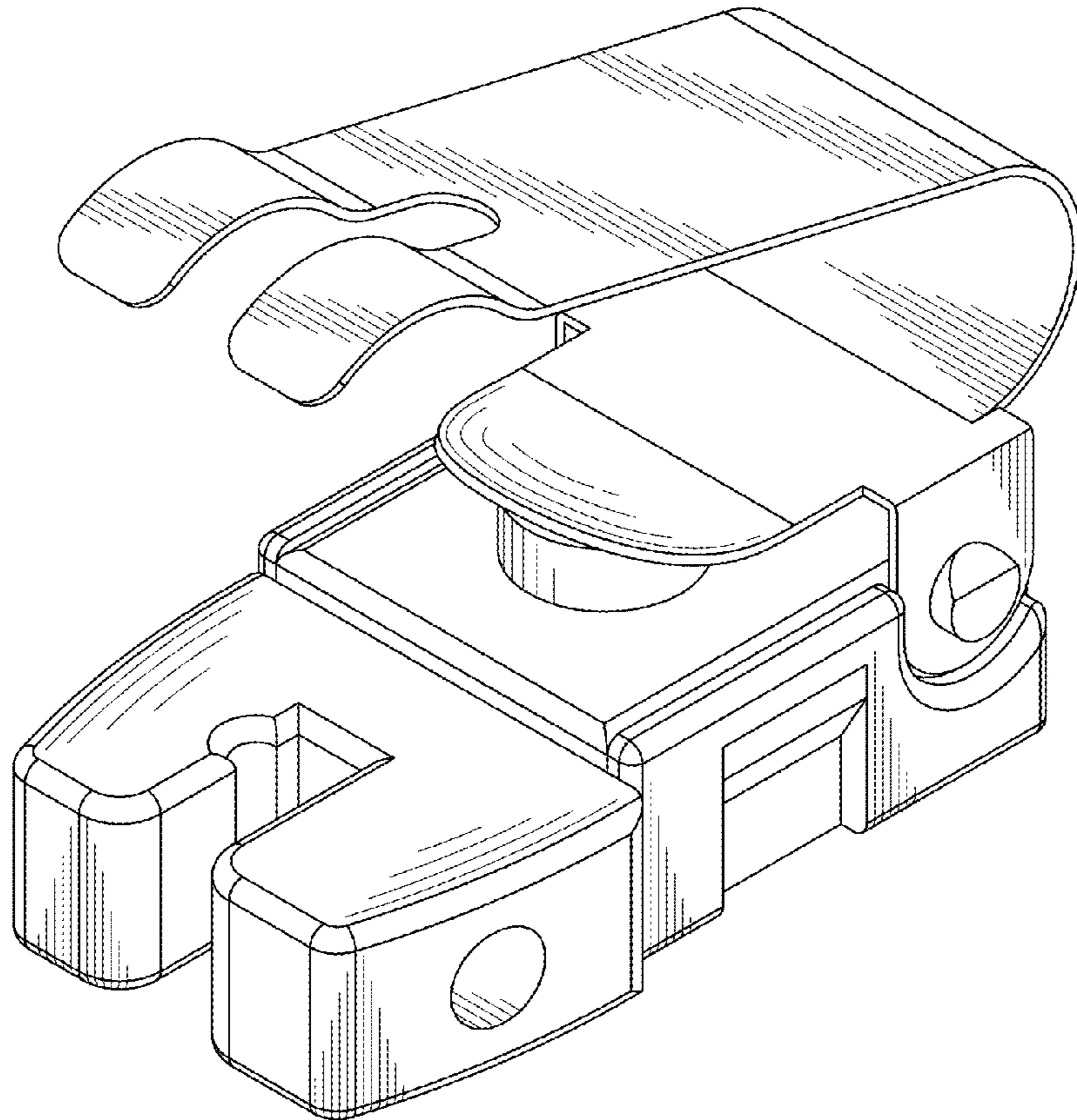


FIG. 8