



US00D710042S

(12) **United States Design Patent**
Georgitsis et al.

(10) **Patent No.:** **US D710,042 S**
(45) **Date of Patent:** **** Jul. 29, 2014**

(54) **LIGHT UNIT**

(71) Applicants: **Anthony C. Georgitsis**, Edgewood, WA (US); **Joseph Biro**, Scottsdale, AZ (US); **Nicholas B. Irwin**, Auburn, WA (US)

(72) Inventors: **Anthony C. Georgitsis**, Edgewood, WA (US); **Joseph Biro**, Scottsdale, AZ (US); **Nicholas B. Irwin**, Auburn, WA (US)

(73) Assignee: **Vision Motor Sports, Inc.**, Algona, WA (US)

(**) Term: **14 Years**

(21) Appl. No.: **29/433,362**

(22) Filed: **Sep. 28, 2012**

(51) **LOC (10) Cl.** **26-06**

(52) **U.S. Cl.**
USPC **D26/28**

(58) **Field of Classification Search**
USPC D26/28-36; 362/459-468, 475-478,
362/485-487
See application file for complete search history.

(56) **References Cited**

U.S. PATENT DOCUMENTS

D490,172 S * 5/2004 Yamamoto D26/28
D521,162 S * 5/2006 Campagna D26/28
D532,537 S * 11/2006 Shiu D26/39

D564,683 S * 3/2008 Roach et al. D26/28
D570,011 S * 5/2008 Huang D26/28
D638,963 S * 5/2011 Huang D26/28

* cited by examiner

Primary Examiner — Marcus Jackson

(74) *Attorney, Agent, or Firm* — Barnes & Thornburg LLP;
Mark J. Nahnsen

(57) **CLAIM**

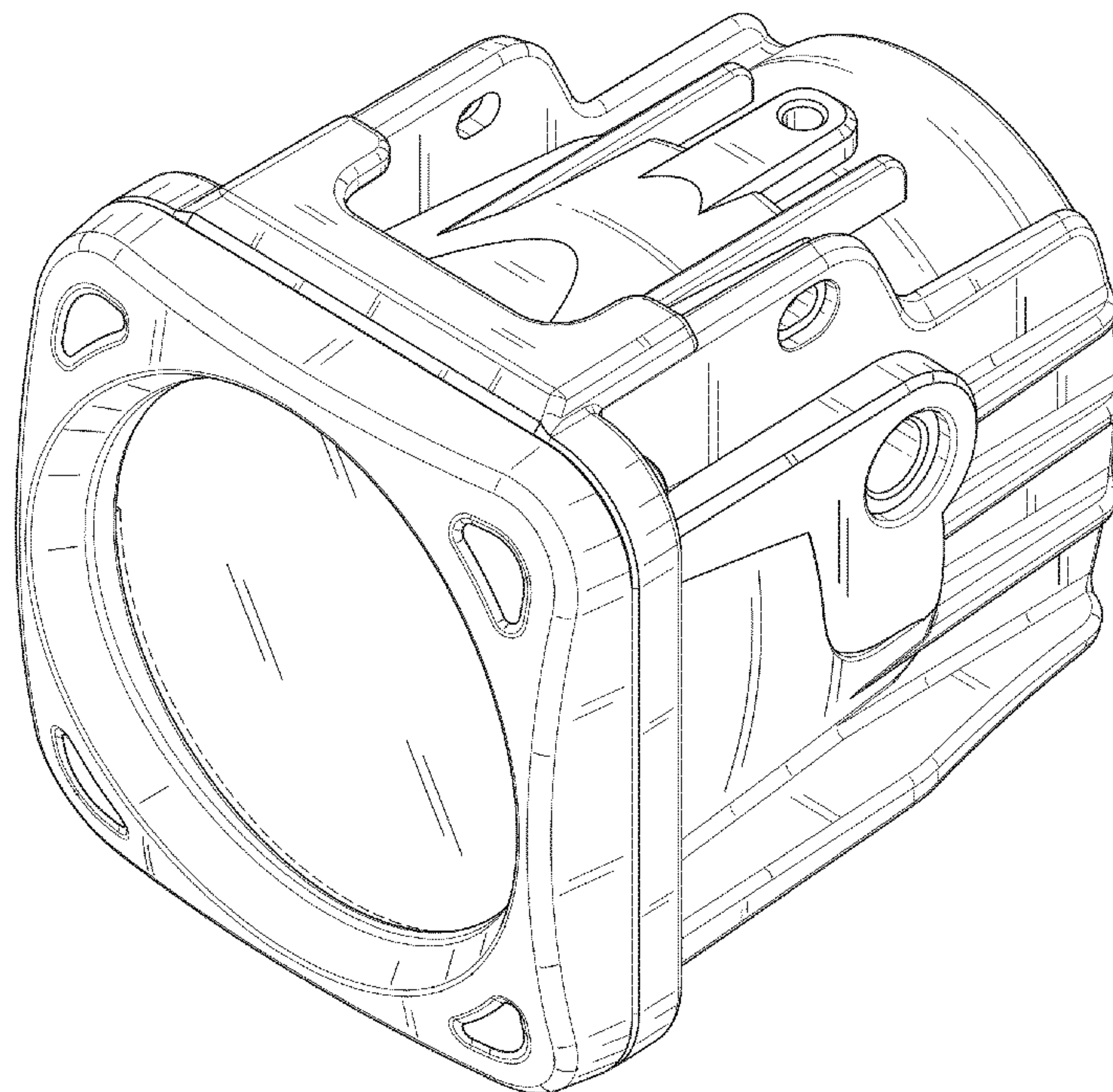
The ornamental design for a light unit, as shown and described.

DESCRIPTION

FIG. 1 is an isometric view of an embodiment of a light unit; FIG. 2 is a front view of an embodiment thereof; FIG. 3 is a side view of an embodiment thereof; FIG. 4 is a bottom view of an embodiment thereof; FIG. 5 is a top view of an embodiment thereof; FIG. 6 is a rear view of an embodiment thereof; FIG. 7 is an isometric view of another embodiment thereof; FIG. 8 is a front view of another embodiment thereof; FIG. 9 is a side view of another embodiment thereof; FIG. 10 is a bottom view of another embodiment thereof; FIG. 11 is a top view of another embodiment thereof; and, FIG. 12 is a rear view of another embodiment thereof.

The broken lines shown in the drawings are for purposes of illustrating portions of the design and form no part of the claimed design.

1 Claim, 12 Drawing Sheets



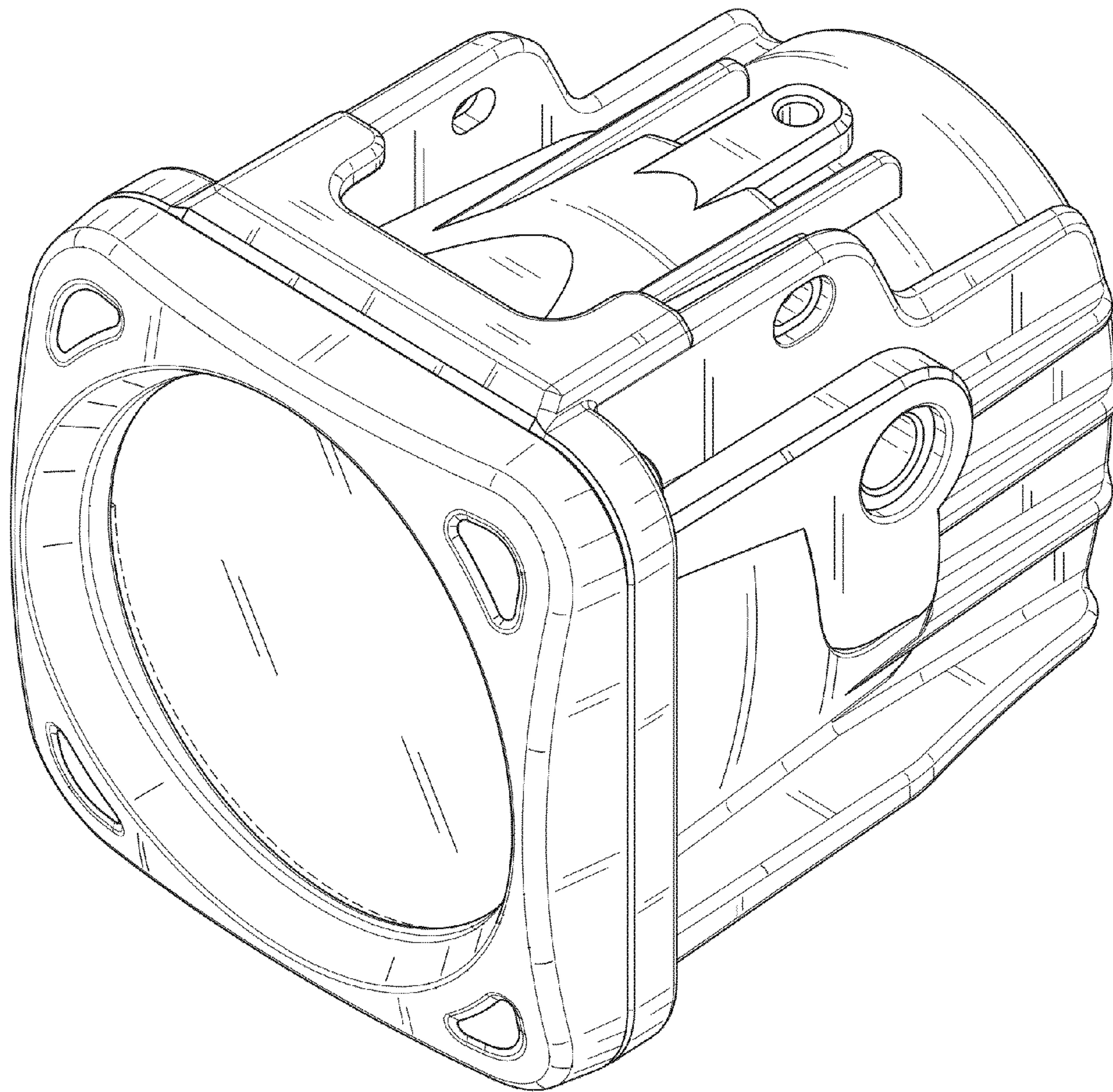


FIG. 1

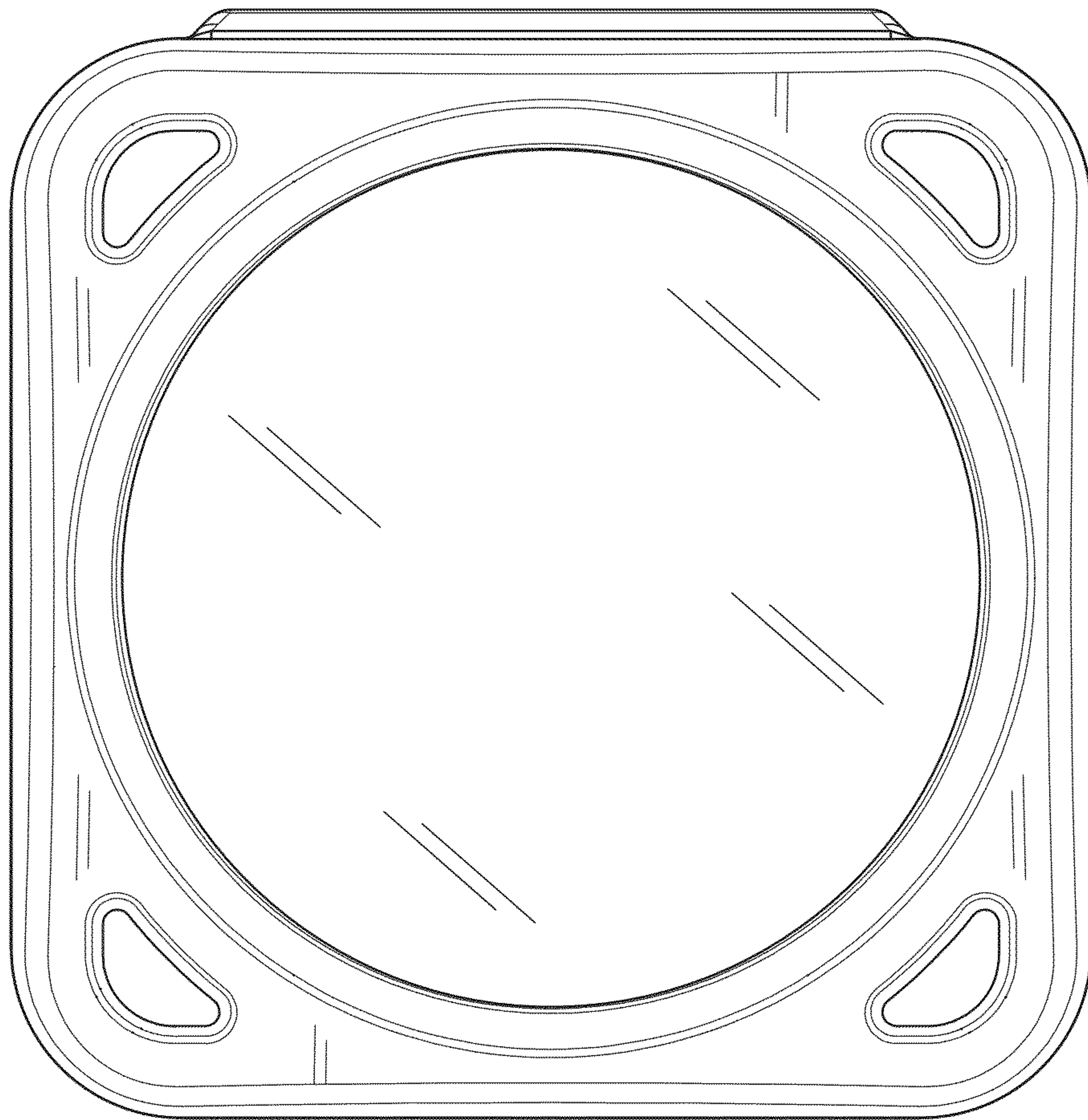


FIG. 2

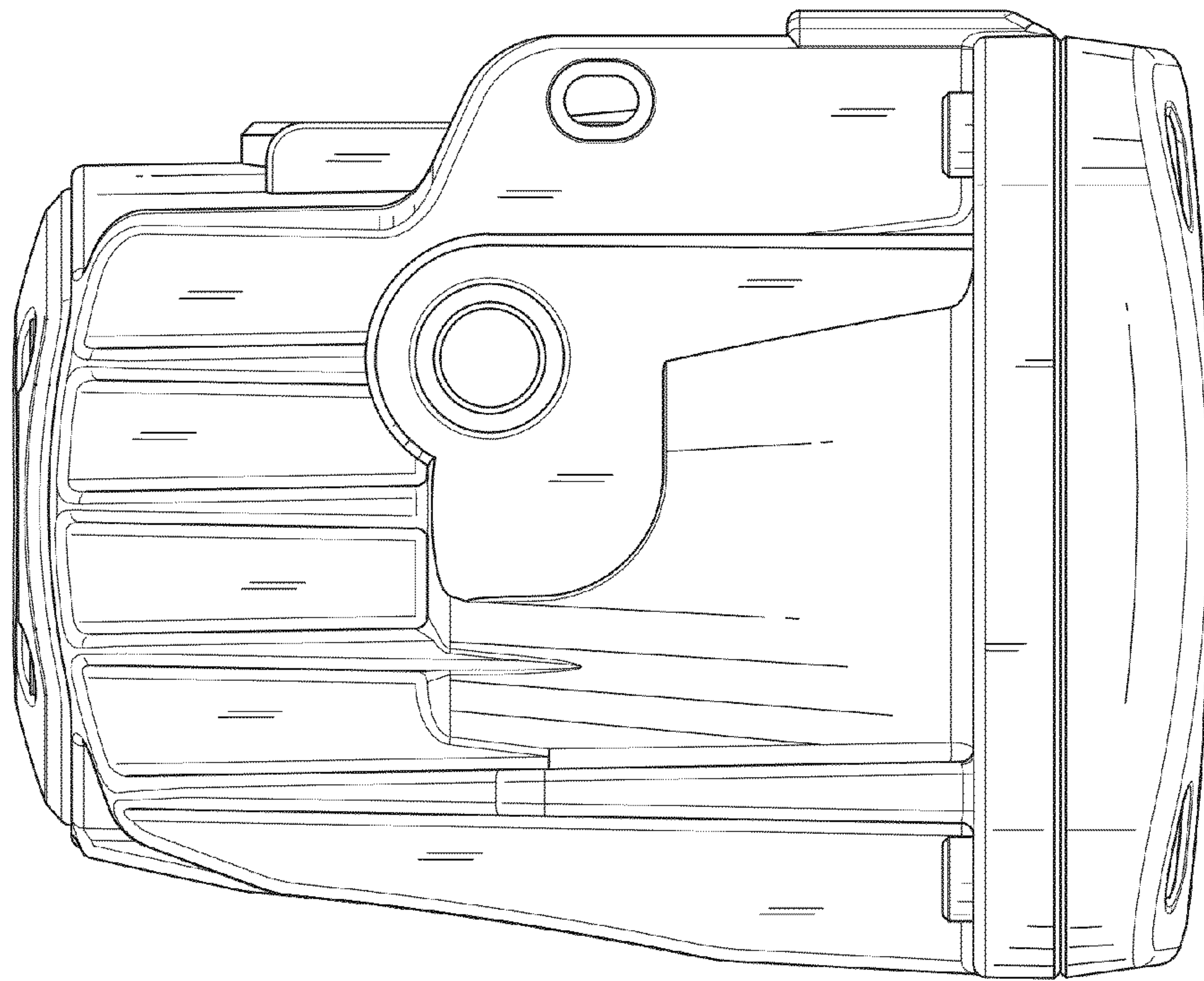


FIG. 3

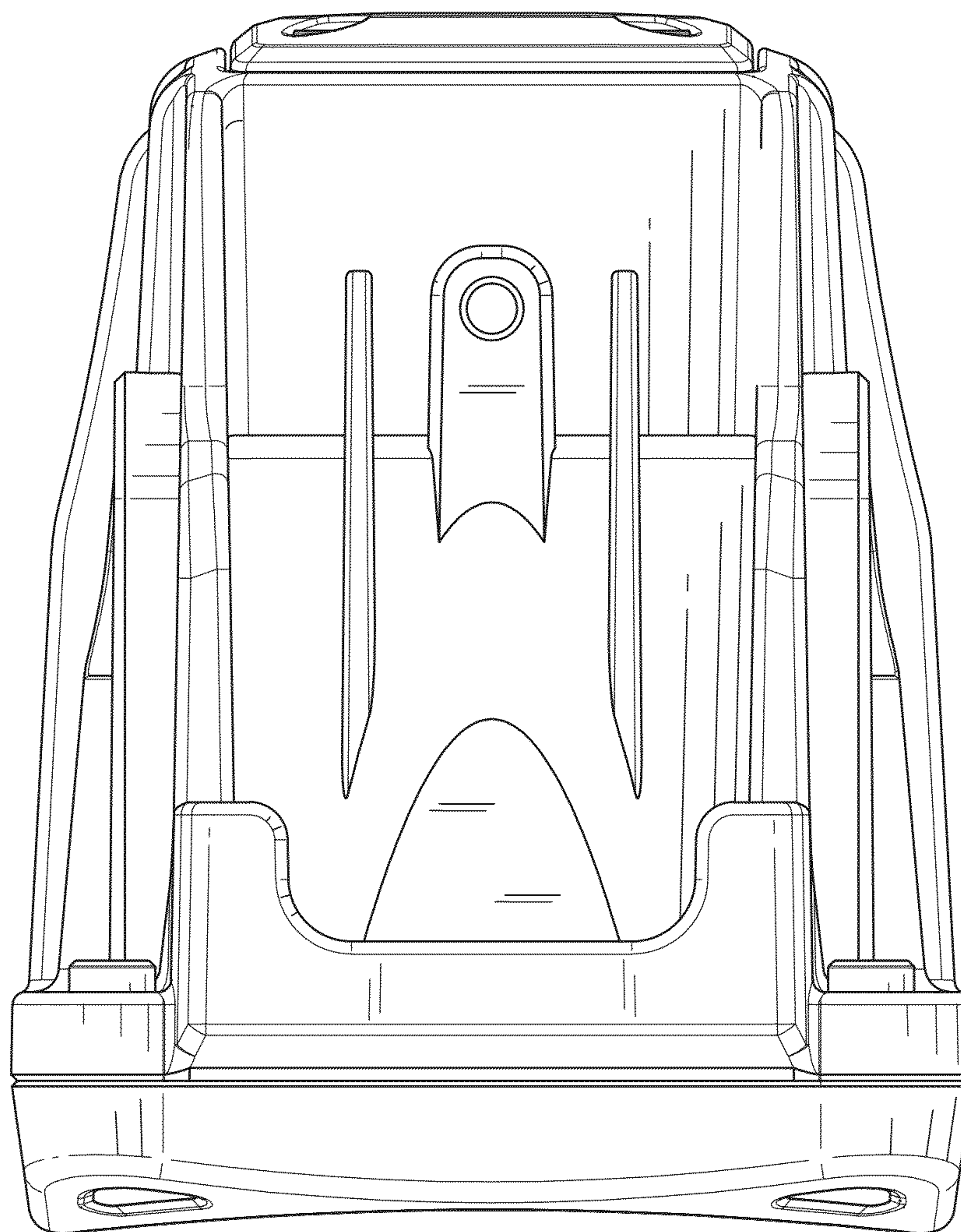


FIG. 4

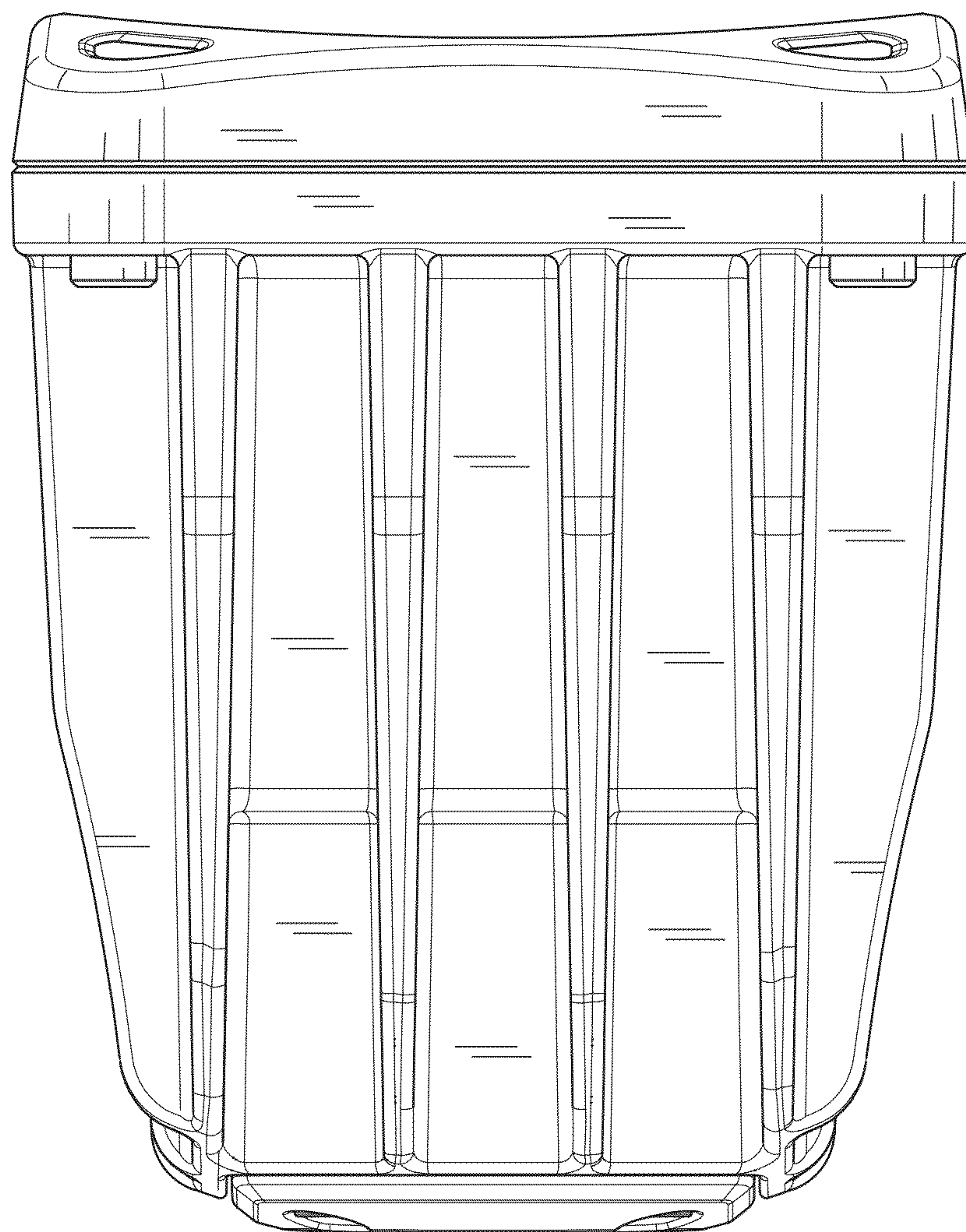


FIG. 5

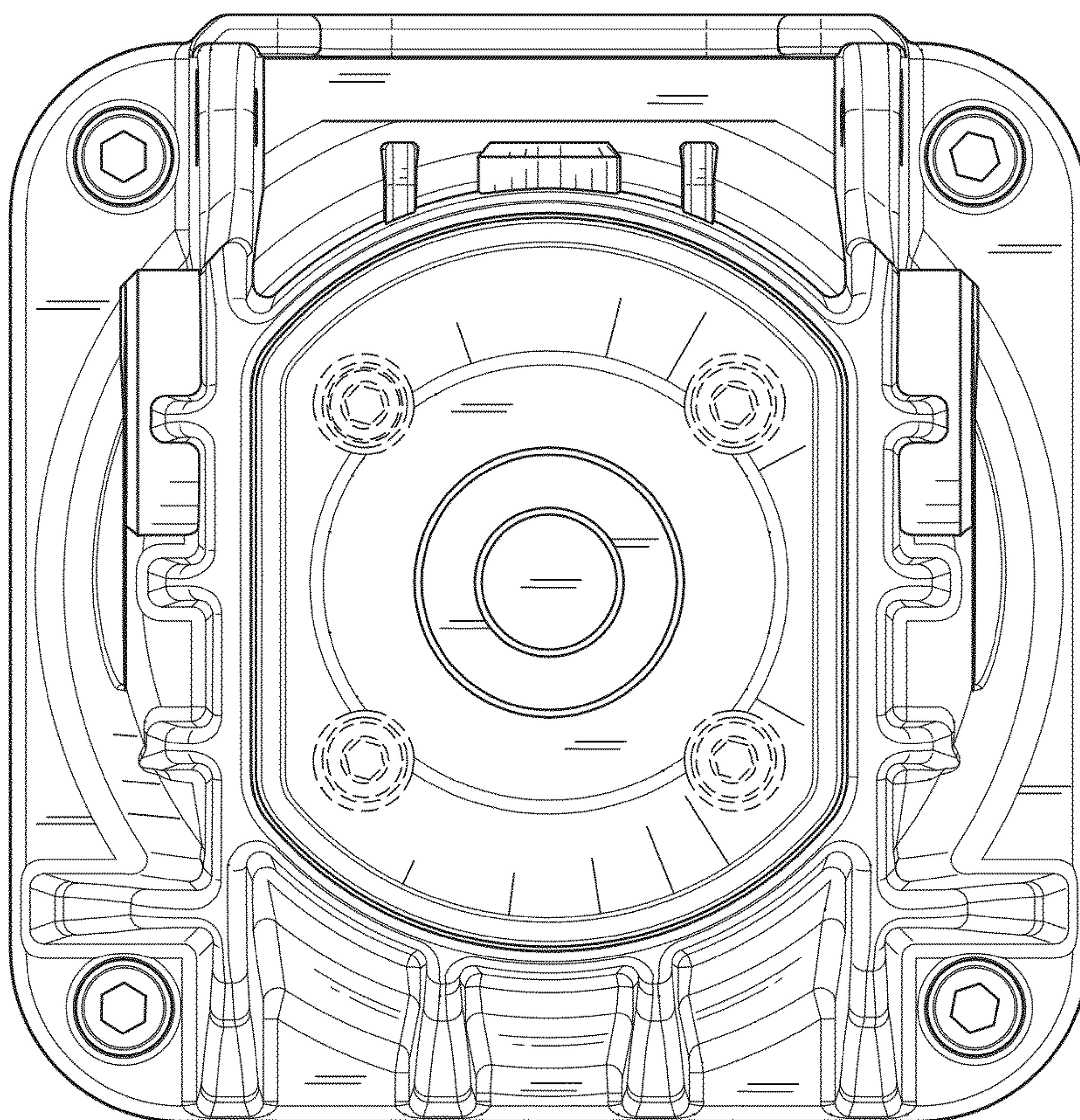


FIG. 6

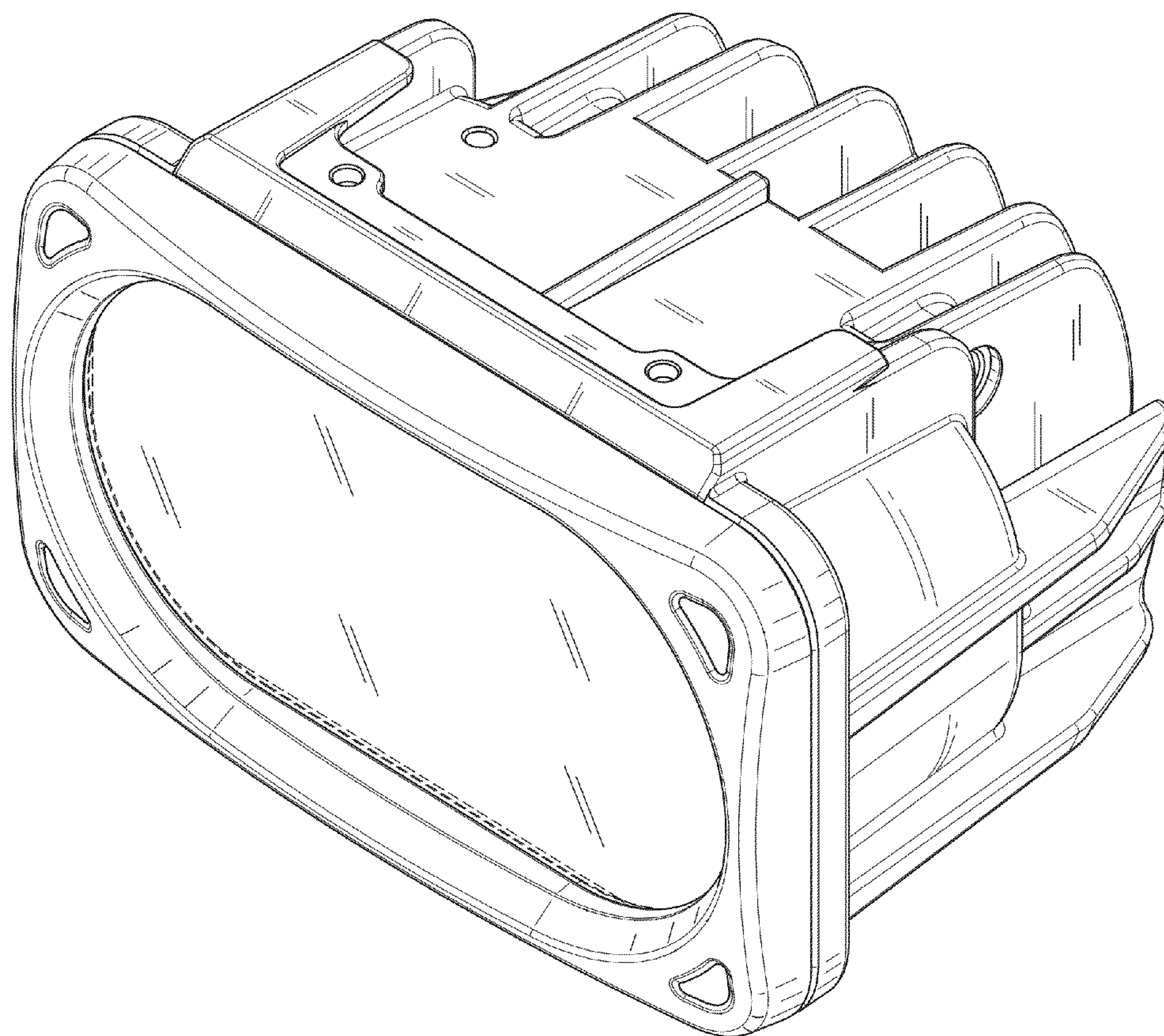


FIG. 7

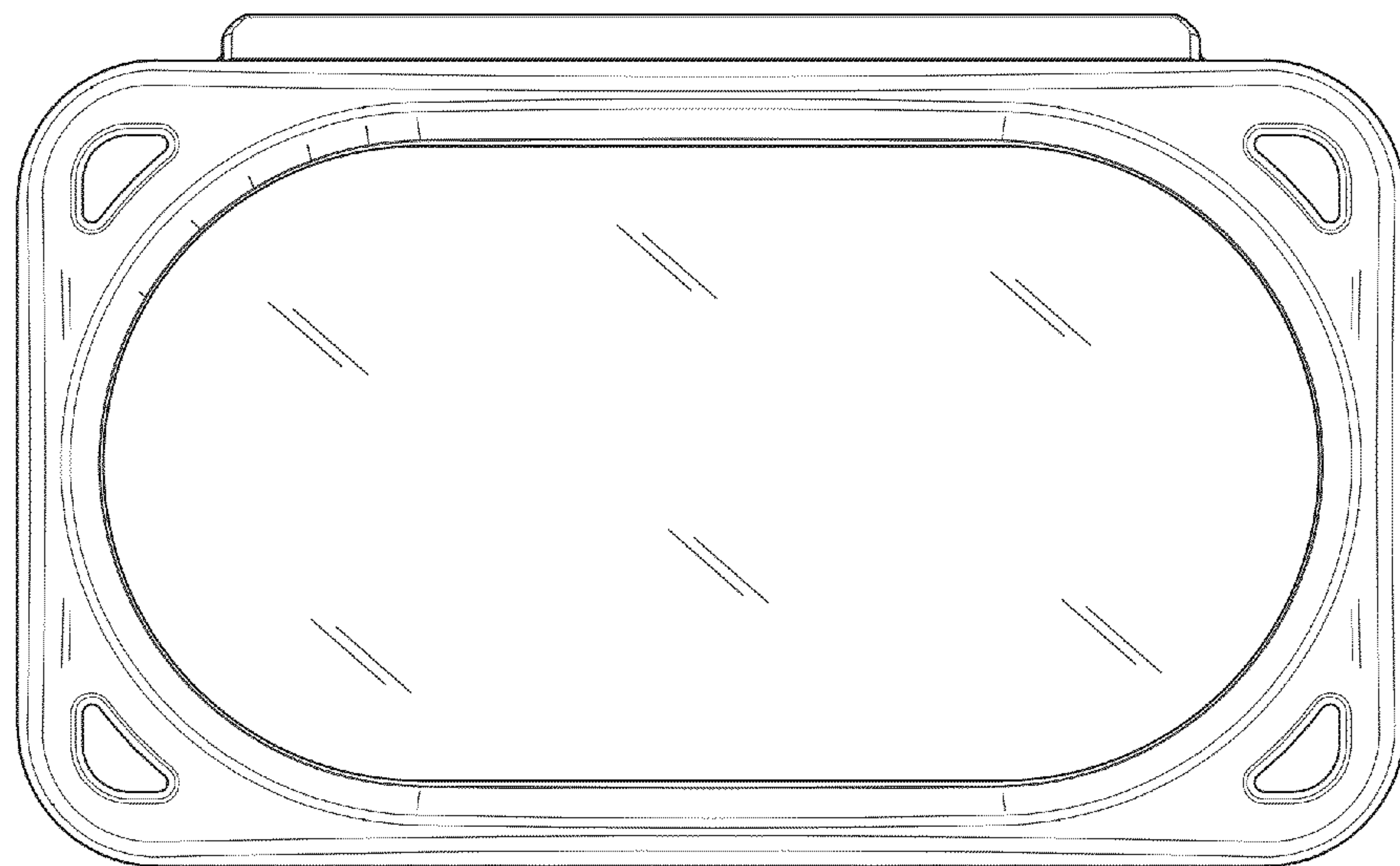


FIG. 8

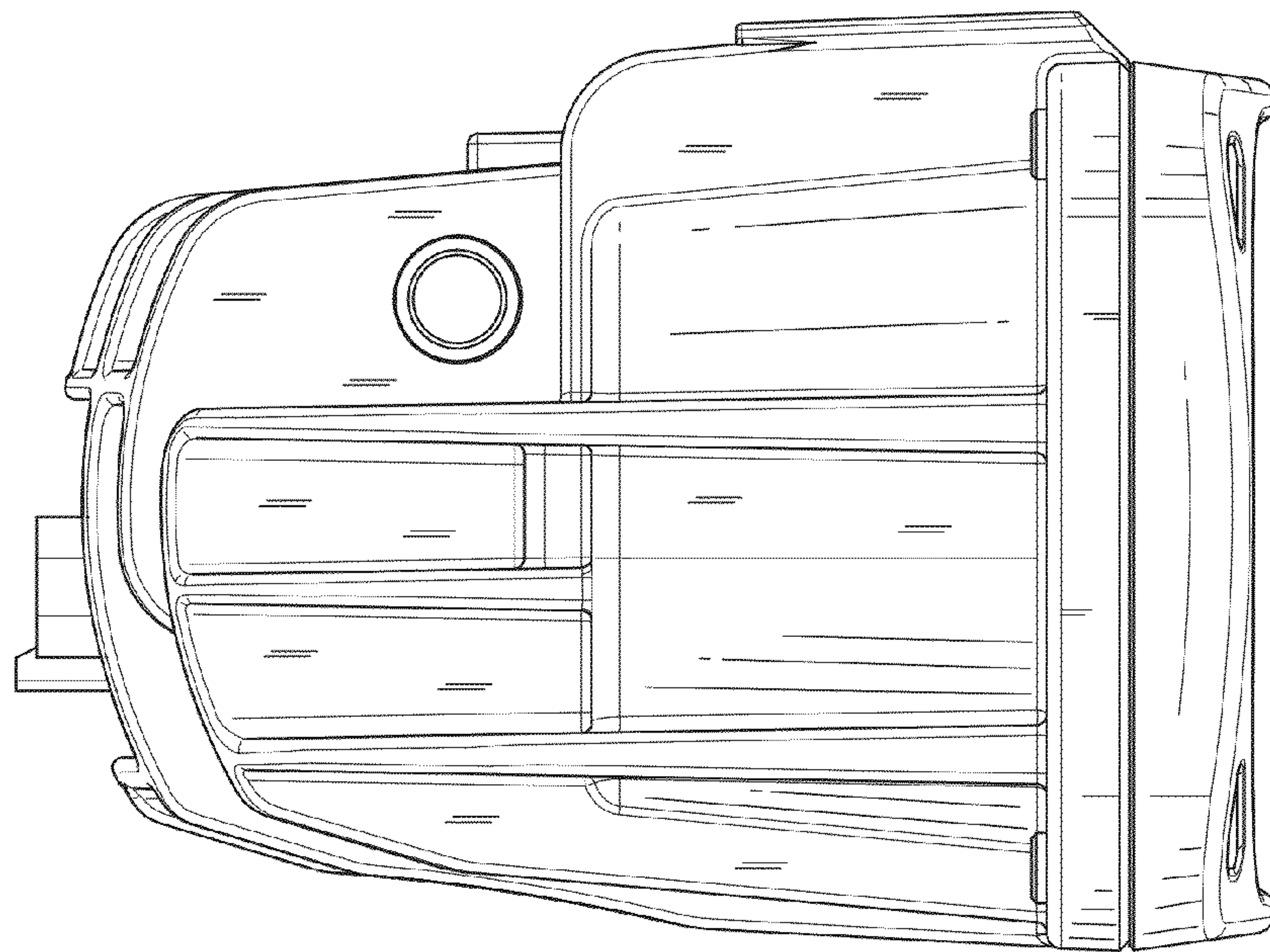


FIG. 9

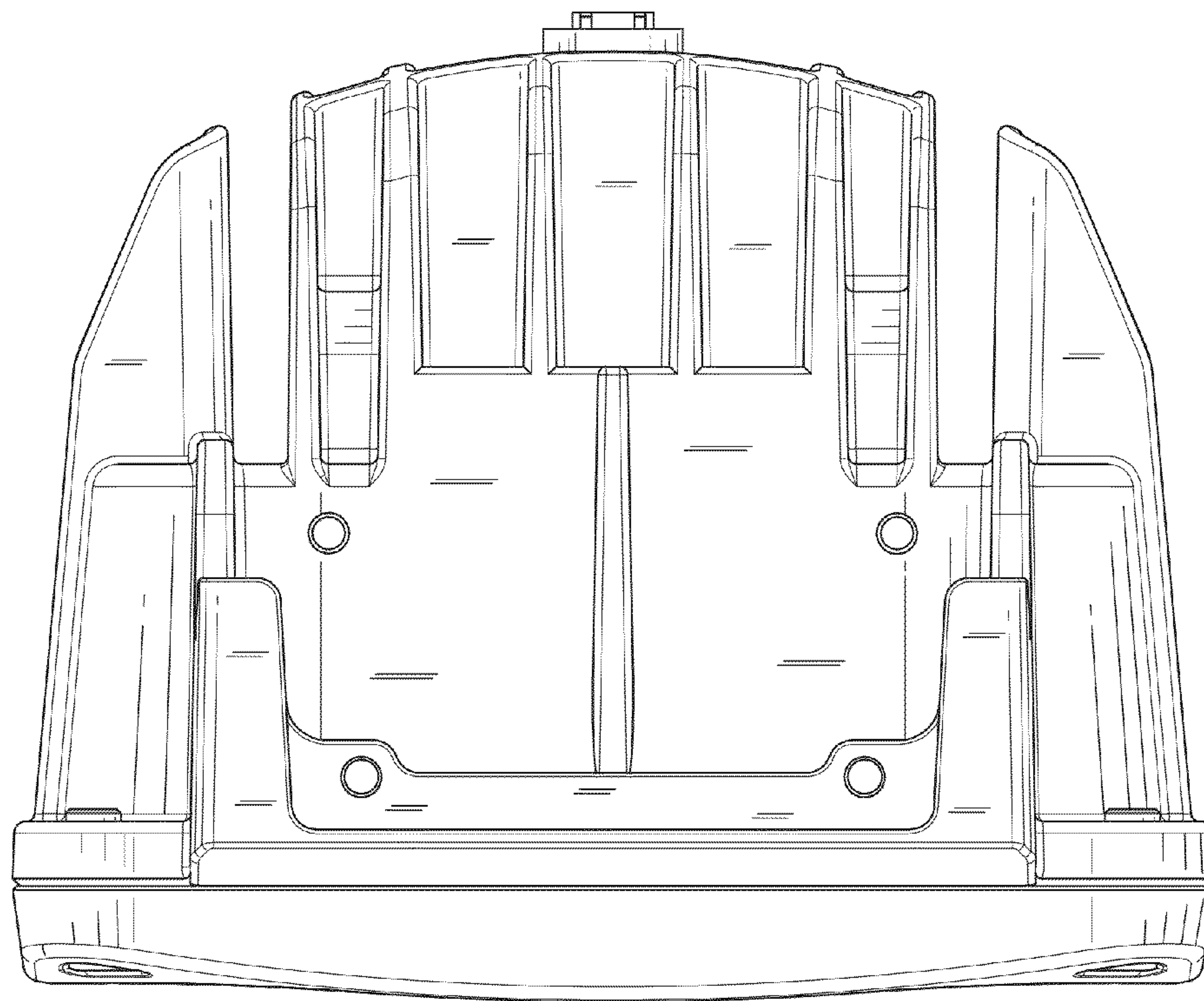


FIG. 10

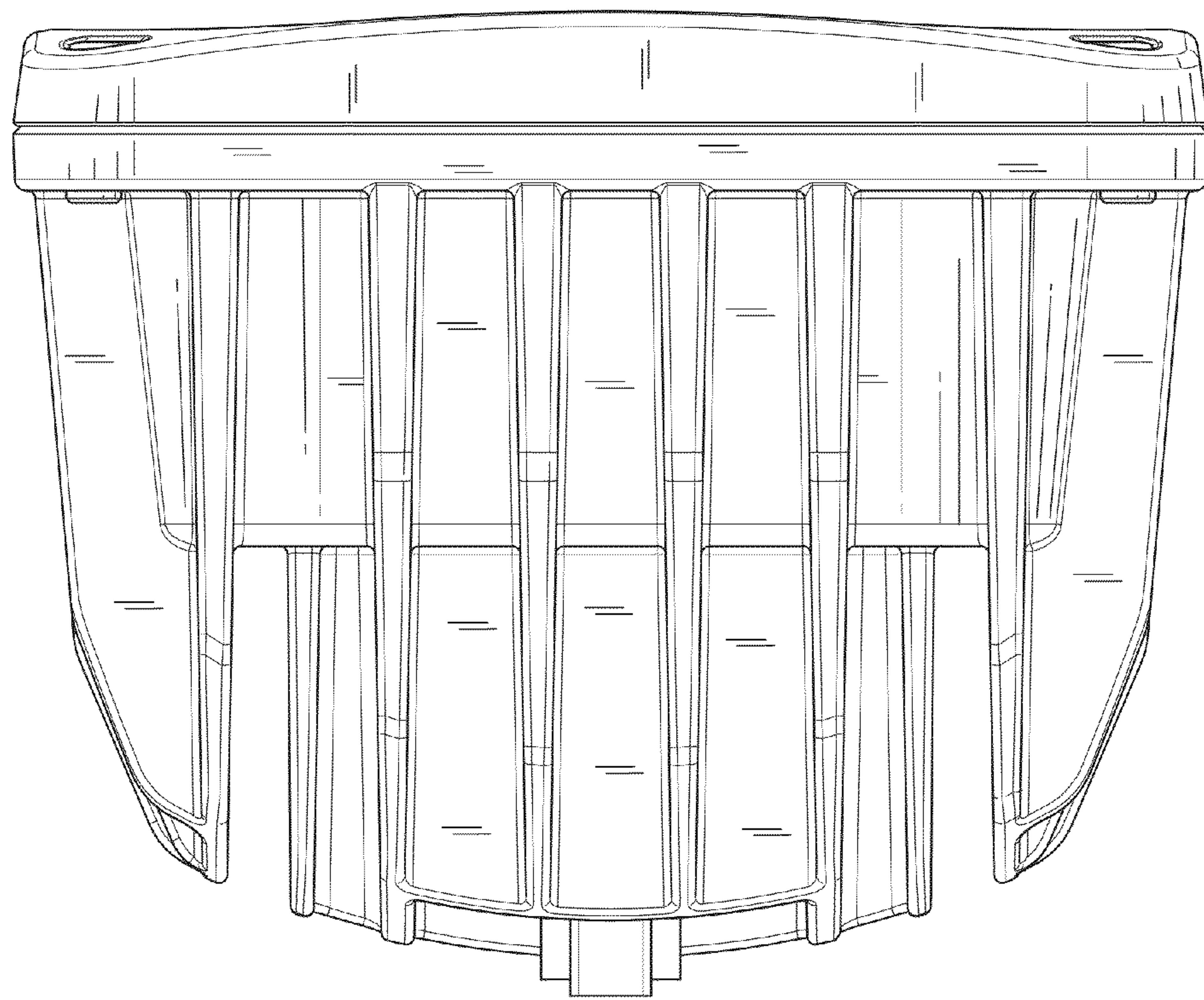


FIG. 11

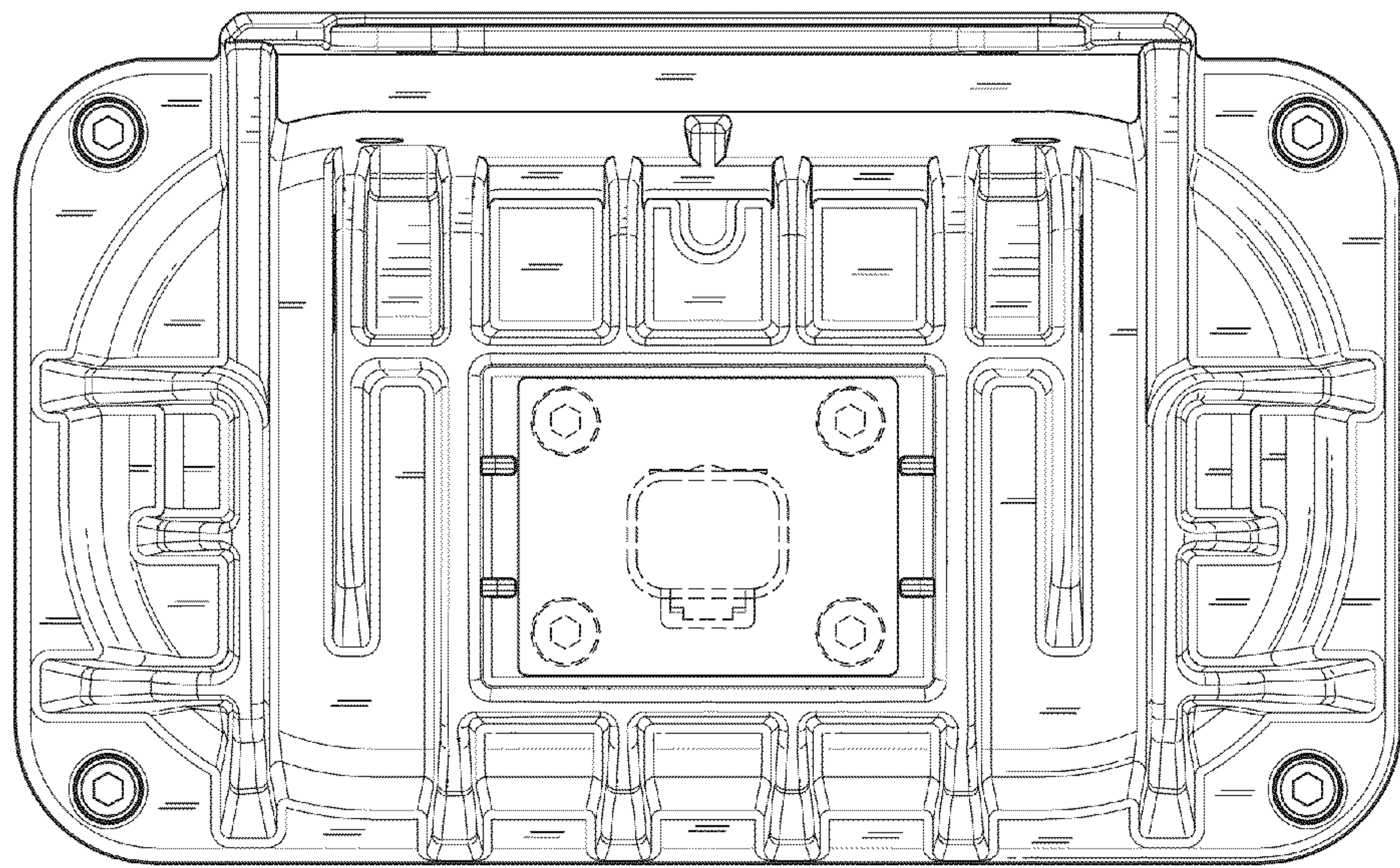


FIG. 12