



US00D710041S

(12) **United States Design Patent**
Endo et al.

(10) **Patent No.:** **US D710,041 S**
(45) **Date of Patent:** **** Jul. 29, 2014**

(54) **REAR COMBINATION LAMP FOR AN AUTOMOBILE**

(75) Inventors: **Giichi Endo**, Kanagawa (JP); **Keita Masuzaki**, Kanagawa (JP)

(73) Assignee: **Nissan Motor Co., Ltd.**, Yokohama (JP)

(**) Term: **14 Years**

(21) Appl. No.: **29/430,908**

(22) Filed: **Aug. 31, 2012**

(30) **Foreign Application Priority Data**

Mar. 6, 2012 (JP) 2012-005057

(51) **LOC (10) Cl.** **26-06**

(52) **U.S. Cl.**
USPC **D26/28**

(58) **Field of Classification Search**
USPC D26/28-36; 362/459-468, 475-478,
362/485-487

See application file for complete search history.

(56) **References Cited**

U.S. PATENT DOCUMENTS

D541,445 S *	4/2007	Lin	D26/28
D549,363 S *	8/2007	Pfeiffer	D26/28
D550,380 S *	9/2007	Lin	D26/28
D552,769 S *	10/2007	Leclercq	D26/28
D553,268 S *	10/2007	Pfeiffer	D26/28
D553,269 S *	10/2007	Pfeiffer et al.	D26/28
D560,292 S *	1/2008	Sato	D26/28
D561,357 S *	2/2008	Leclercq	D26/28
D565,211 S *	3/2008	Haller et al.	D26/28
D570,015 S *	5/2008	Hsu	D26/28
D574,524 S *	8/2008	Tomatsu	D26/28
D602,616 S *	10/2009	Okamura et al.	D26/28
D605,793 S *	12/2009	Weil	D26/28
D620,157 S *	7/2010	Frenzel et al.	D26/28
D680,248 S	4/2013	Iwai et al.		
D696,444 S	12/2013	Ishizuka et al.		

* cited by examiner

Primary Examiner — Marcus Jackson

(74) *Attorney, Agent, or Firm* — Global IP Counselors, LLP

(57) **CLAIM**

The ornamental design for a rear combination lamp for an automobile, as shown and described.

DESCRIPTION

FIG. 1 is a front elevational view of a rear combination lamp for an automobile in accordance with a first embodiment of our new design;

FIG. 2 is a rear elevational view of the rear combination lamp in accordance with the first embodiment of our new design of FIG. 1;

FIG. 3 is a top plan view of the rear combination lamp in accordance with the first embodiment of our new design of FIGS. 1 and 2;

FIG. 4 is a bottom plan view of the rear combination lamp in accordance with the first embodiment of our new design of FIGS. 1 to 3;

FIG. 5 is a right side elevational view of the rear combination lamp in accordance with the first embodiment of our new design of FIGS. 1 to 4;

FIG. 6 is a left side elevational view of the rear combination lamp in accordance with the first embodiment of our new design of FIGS. 1 to 5; and,

FIG. 7 is a front-left side perspective view of the rear combination lamp in accordance with the first embodiment of our new design of FIGS. 1 to 6.

A second embodiment of our new design is identical to the first embodiment except that the rear elevational view of FIG. 2, the bottom plan view of FIG. 4 and the left side elevational view of FIG. 6 form no part of the claimed design. In addition, in the second embodiment, the appearance of the rear side structure of the rear combination lamp as seen in FIGS. 1, 3, 5 and 7 is for purpose of illustrating the boundaries of the exterior surface of the front side of the rear combination lamp, and forms no part of the claimed design.

Our new design includes the mirror image of the rear combination lamp shown in FIGS. 1 to 7.

1 Claim, 7 Drawing Sheets

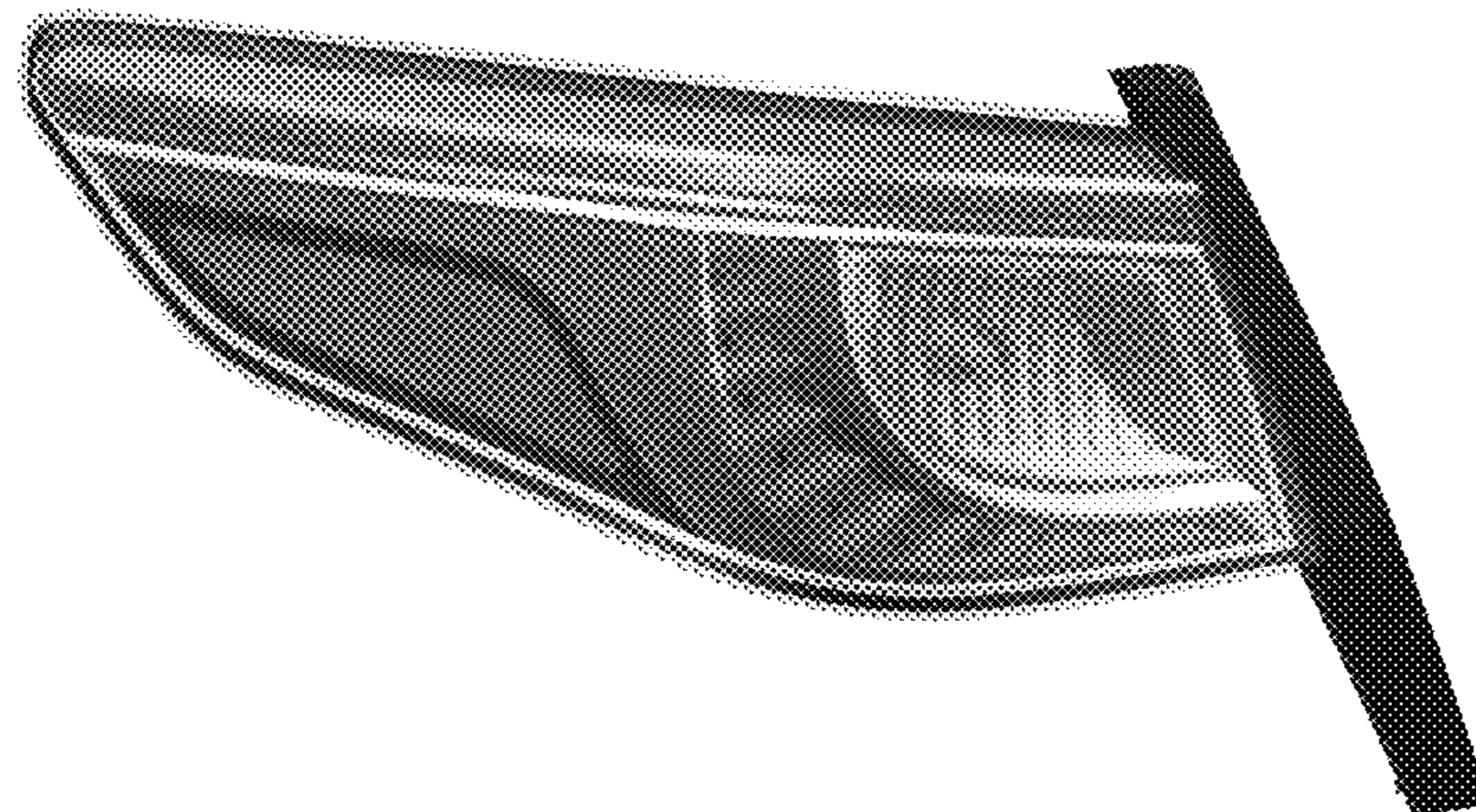




FIG. 1

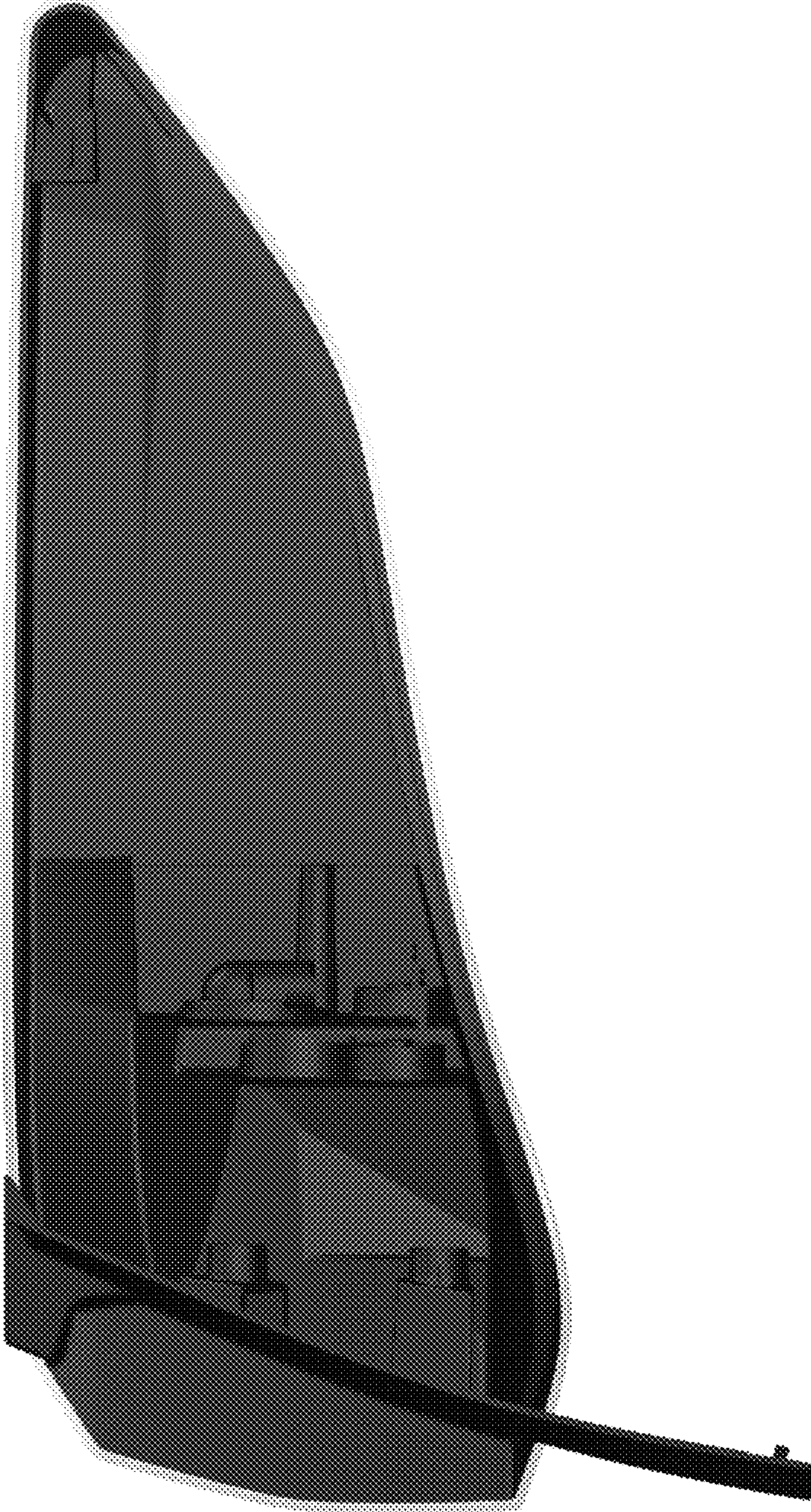


FIG. 2



FIG. 3



FIG. 4



FIG. 5

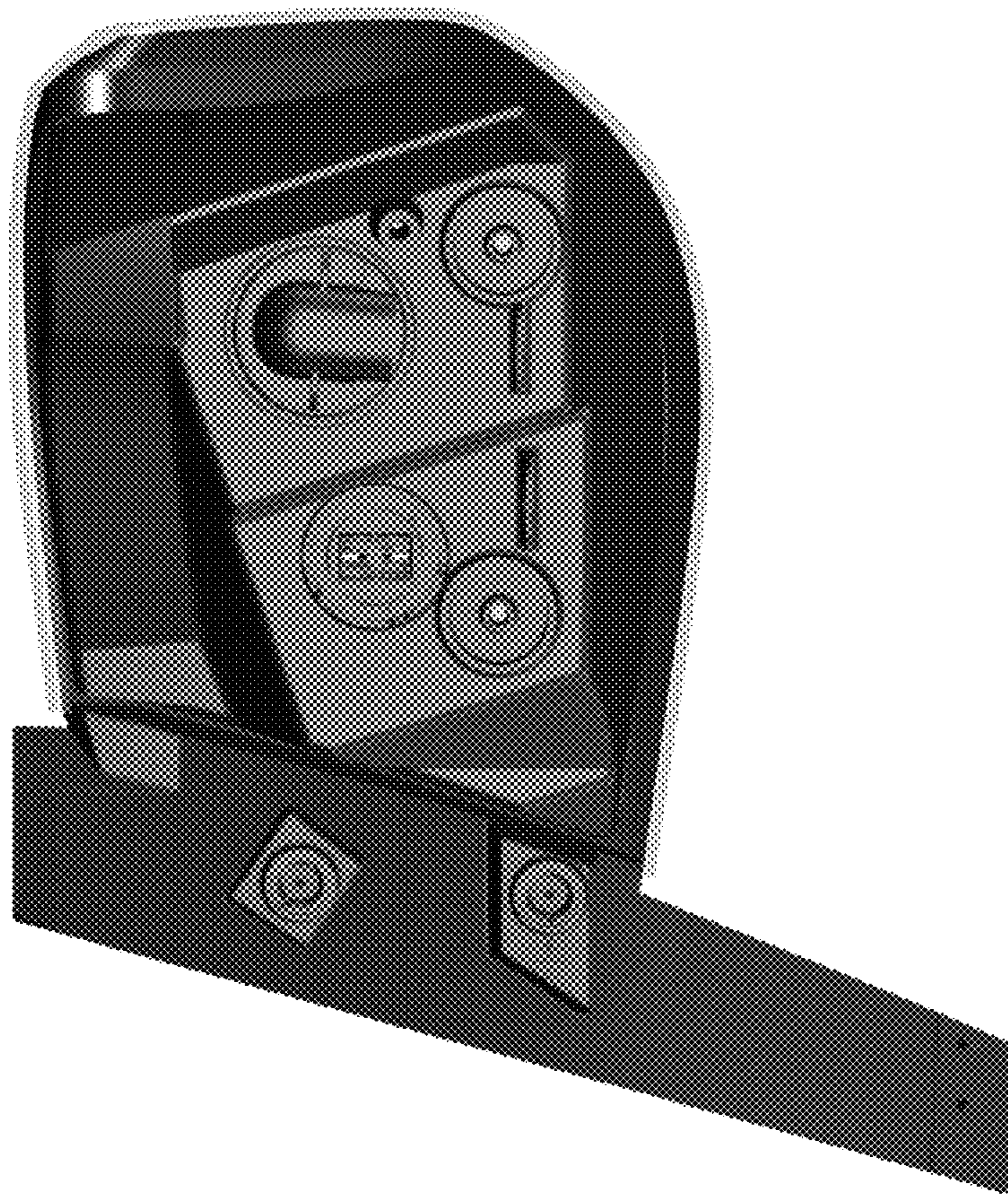


FIG. 6

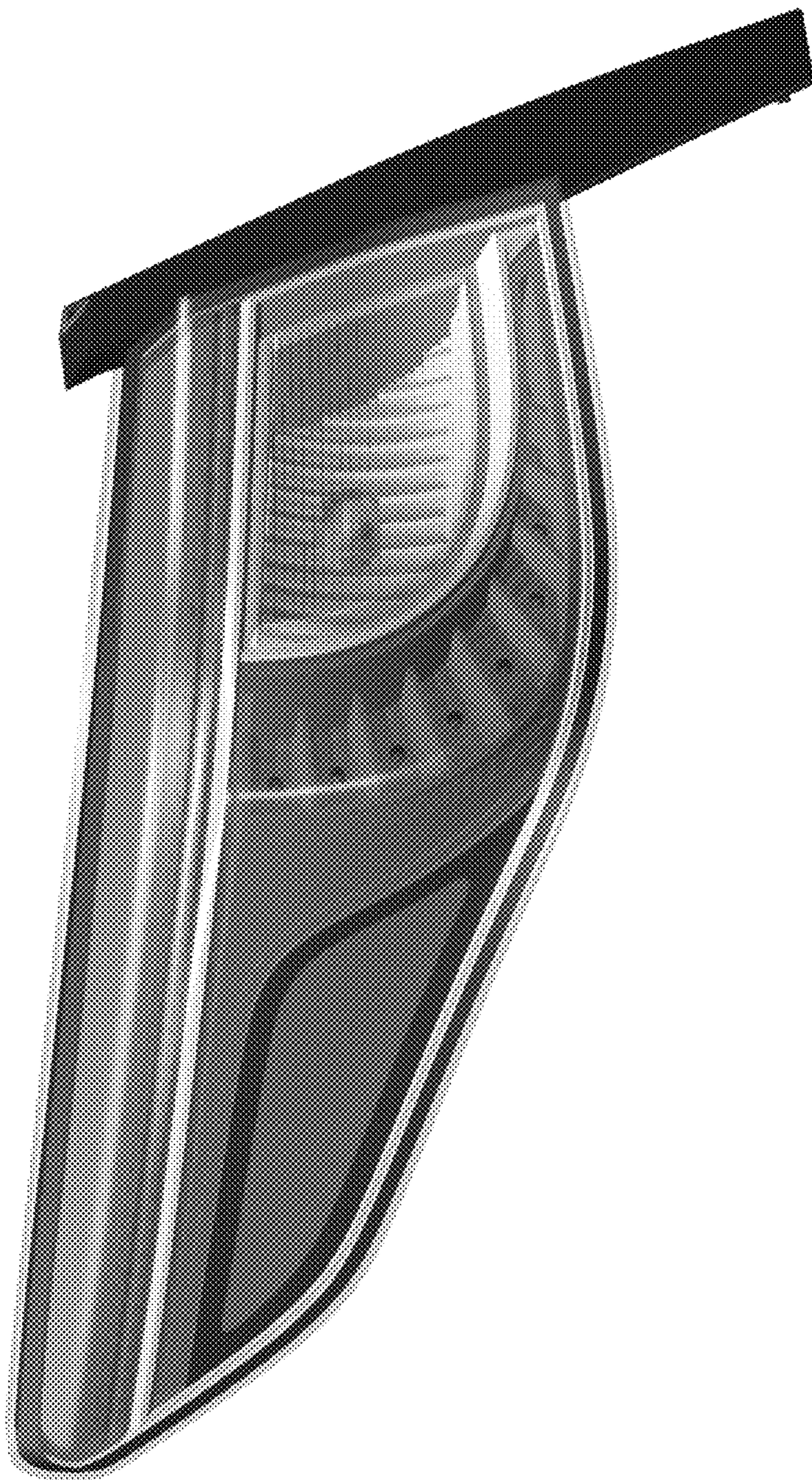


FIG. 7