



US00D710040S

(12) **United States Design Patent**
Perez et al.

(10) **Patent No.:** **US D710,040 S**
(45) **Date of Patent:** **** Jul. 29, 2014**

(54) **LIGHTING REFLECTOR MODULE FOR A VEHICLE**

(75) Inventors: **Eduardo Perez**, Martos (ES);
Magdalena Perez, Martos (ES); **Eric Moisy**, Jaen (ES)

(73) Assignee: **Valeo Vision**, Bobigny (FR)

(**) Term: **14 Years**

(21) Appl. No.: **29/415,582**

(22) Filed: **Mar. 12, 2012**

(51) **LOC (10) Cl.** **26-06**

(52) **U.S. Cl.**
USPC **D26/28**

(58) **Field of Classification Search**
USPC D26/28-36; 362/459-468, 475-478,
362/485-487
See application file for complete search history.

(56) **References Cited**

U.S. PATENT DOCUMENTS

D550,383 S *	9/2007	Asai	D26/28
D556,349 S *	11/2007	Golden et al.	D26/28
D560,291 S *	1/2008	Koyama	D26/28
D638,555 S *	5/2011	Schiavone et al.	D26/28

OTHER PUBLICATIONS

List of Related Cases.

* cited by examiner

Primary Examiner — Marcus Jackson

(74) *Attorney, Agent, or Firm* — Oblon, Spivak, McClelland, Maier & Neustadt, L.L.P.

(57) **CLAIM**

The ornamental design for a lighting reflector module for a vehicle, as shown and described.

DESCRIPTION

FIG. 1 is a front, top, and left side perspective view of a lighting reflector module for a vehicle;
FIG. 2 is a front elevational view thereof;
FIG. 3 is a top plan view thereof;
FIG. 4 is a bottom plan view thereof;
FIG. 5 is a left side elevational view thereof; and,
FIG. 6 is a right side elevational view thereof.

1 Claim, 6 Drawing Sheets

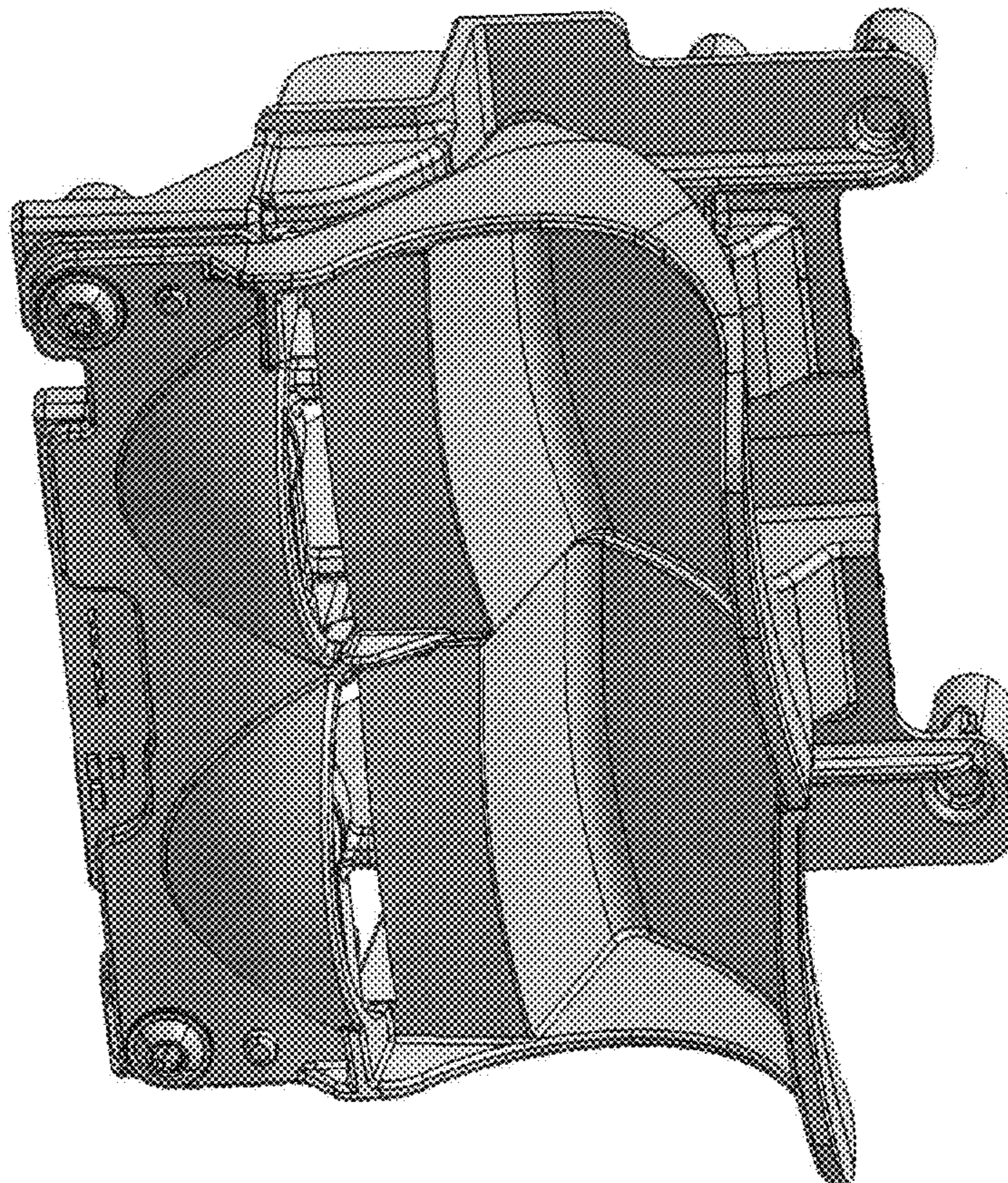


Fig. 1

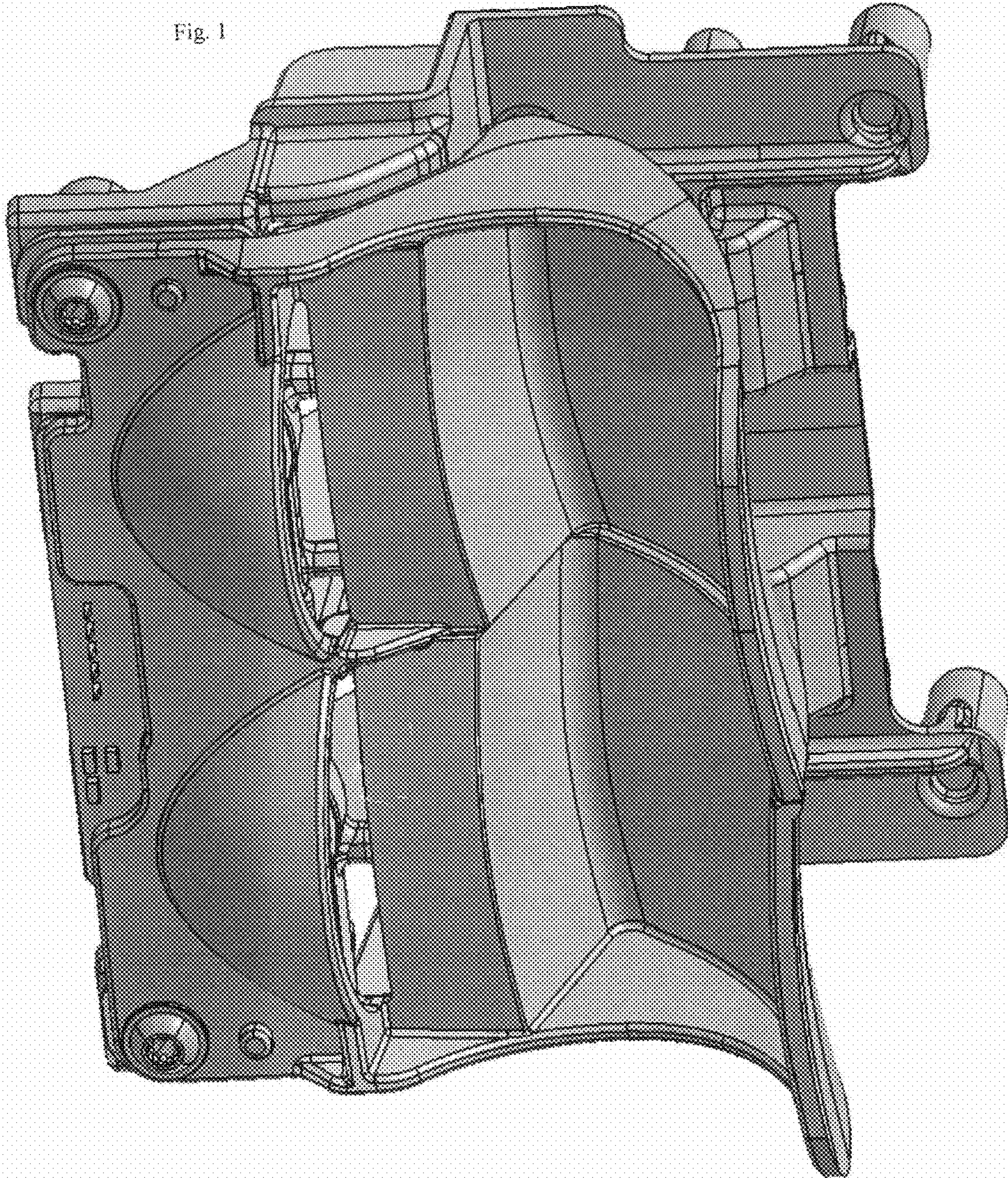


Fig. 2

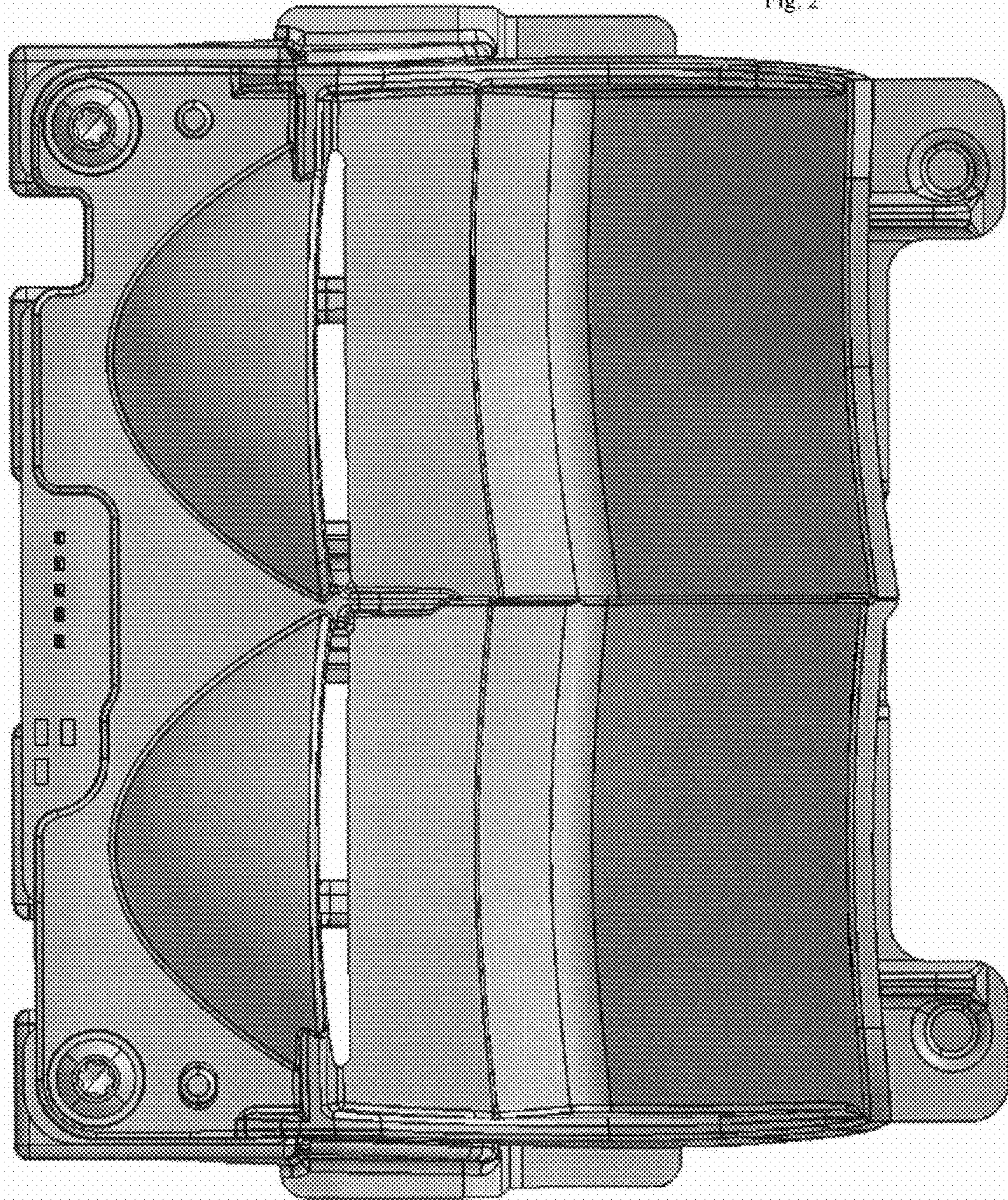
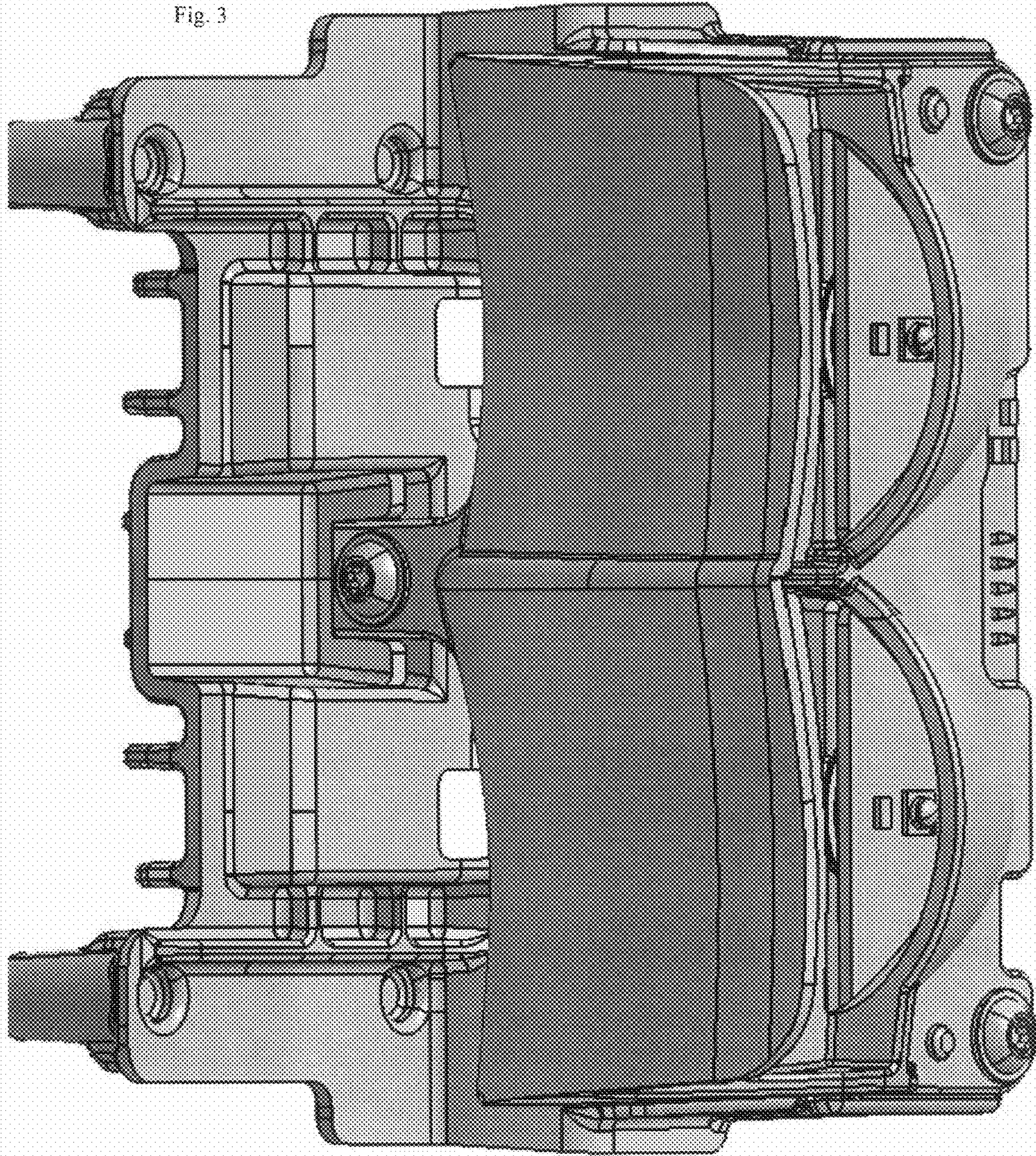


Fig. 3



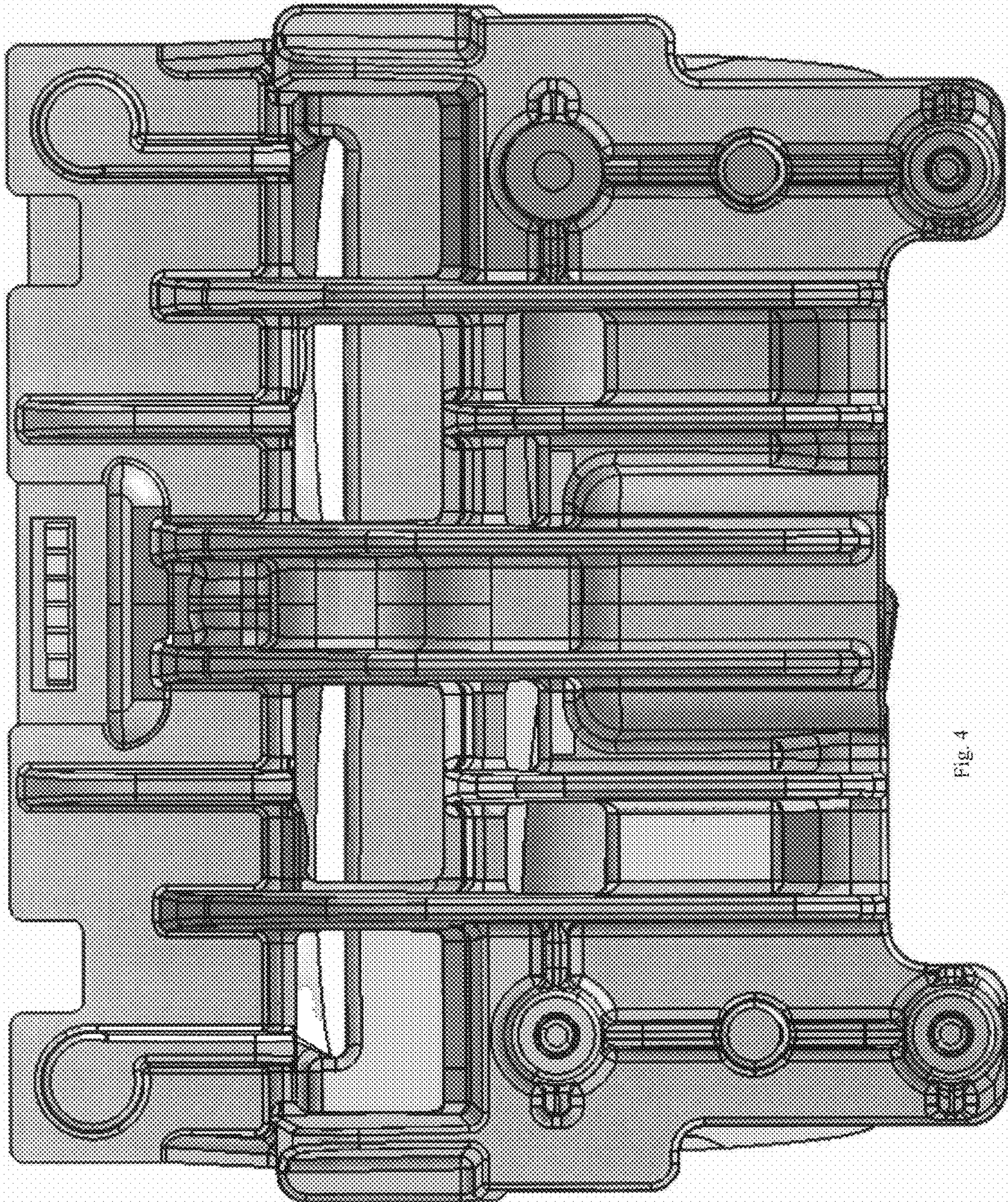


FIG. 4

Fig. 5

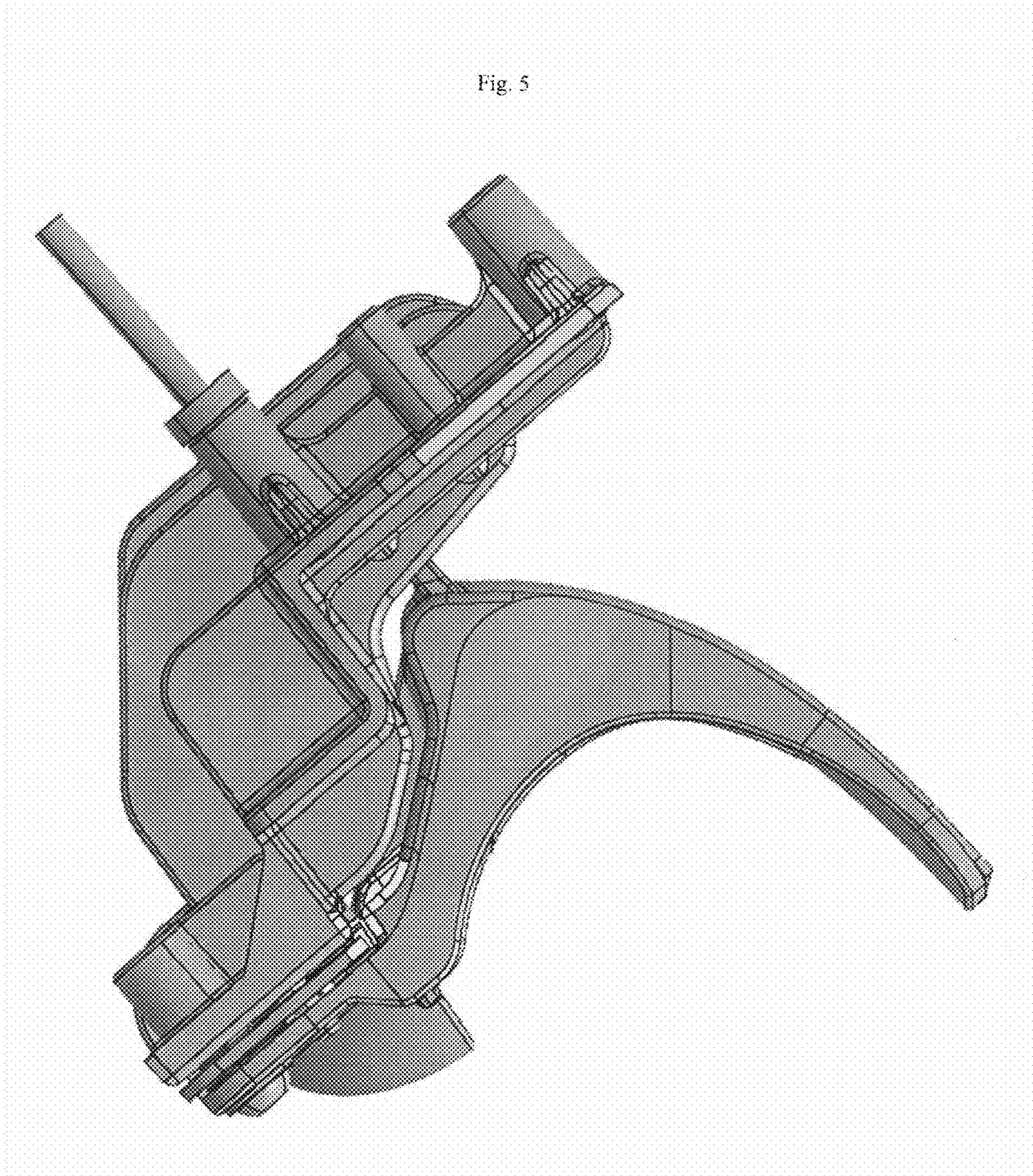


Fig. 6

