



US00D710039S

(12) **United States Design Patent**  
**Schwenk**

(10) **Patent No.:** **US D710,039 S**  
(45) **Date of Patent:** **\*\* Jul. 29, 2014**

(54) **EXTENDABLE PILLAR**

(71) Applicant: **Winvic Sales Inc.**, Markham (CA)

(72) Inventor: **Donna Baker Schwenk**, Rockport, MA (US)

(73) Assignee: **Winvic Sales Inc.**, Markham (CA)

(\*\*) Term: **14 Years**

(21) Appl. No.: **29/462,567**

(22) Filed: **Aug. 6, 2013**

(51) **LOC (10) Cl.** ..... **26-01**

(52) **U.S. Cl.**  
USPC ..... **D26/9; D6/708**

(58) **Field of Classification Search**  
USPC ..... D6/403, 708, 712, 556, 512; D26/9, 22;  
47/39, 41.01, 41.11, 41.15, 47;  
211/60.1; 431/288, 289, 295; 248/27.8,  
248/448, 449, 460, 461, 519, 125.8  
See application file for complete search history.

(56) **References Cited**

**U.S. PATENT DOCUMENTS**

D90,262 S \* 7/1933 Sanzenbacher ..... D6/708  
2,553,103 A \* 5/1951 Miller ..... 248/27.8

D244,652 S \* 6/1977 Tegner ..... D6/524  
D413,399 S \* 8/1999 Robinson ..... D26/9  
2007/0084108 A1 \* 4/2007 Hertlein ..... 47/47

\* cited by examiner

*Primary Examiner* — Doris Clark

(74) *Attorney, Agent, or Firm* — McAndrews, Held & Malloy, Ltd.

(57) **CLAIM**

The ornamental design for an extendable pillar, as shown and described.

**DESCRIPTION**

FIG. 1 is a top, front perspective view of an extendable pillar showing my new ornamental design in an extended position with dashed broken lines representing unclaimed environmental subject matter that forms no part of the claimed design;

FIG. 2 is a front elevation view thereof;

FIG. 3 is a top plan view thereof;

FIG. 4 is a bottom plan view thereof;

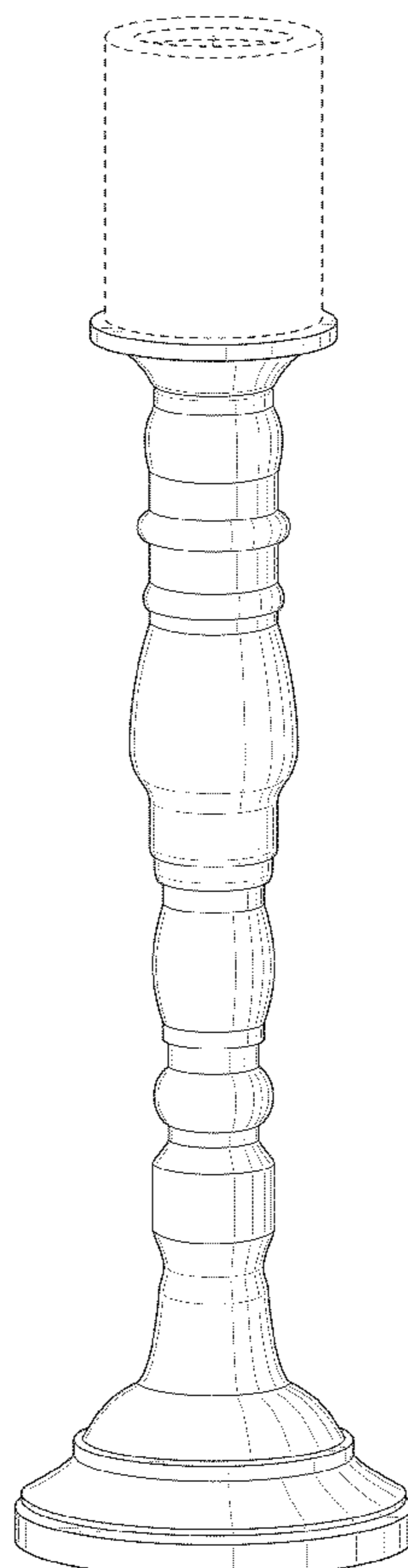
FIG. 5 is a top, front perspective view of the extendable pillar in a compressed position with dashed broken lines representing unclaimed environmental subject matter that forms no part of the claimed design;

FIG. 6 is a front elevation view thereof;

FIG. 7 is a top plan view thereof; and,

FIG. 8 is a bottom plan view thereof.

**1 Claim, 4 Drawing Sheets**



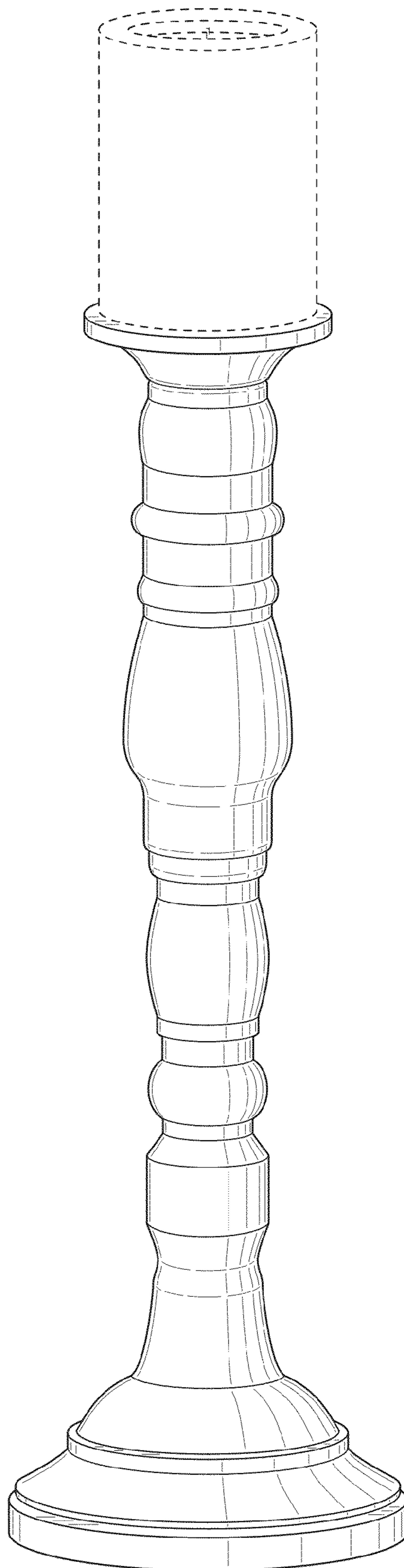


FIG. 1

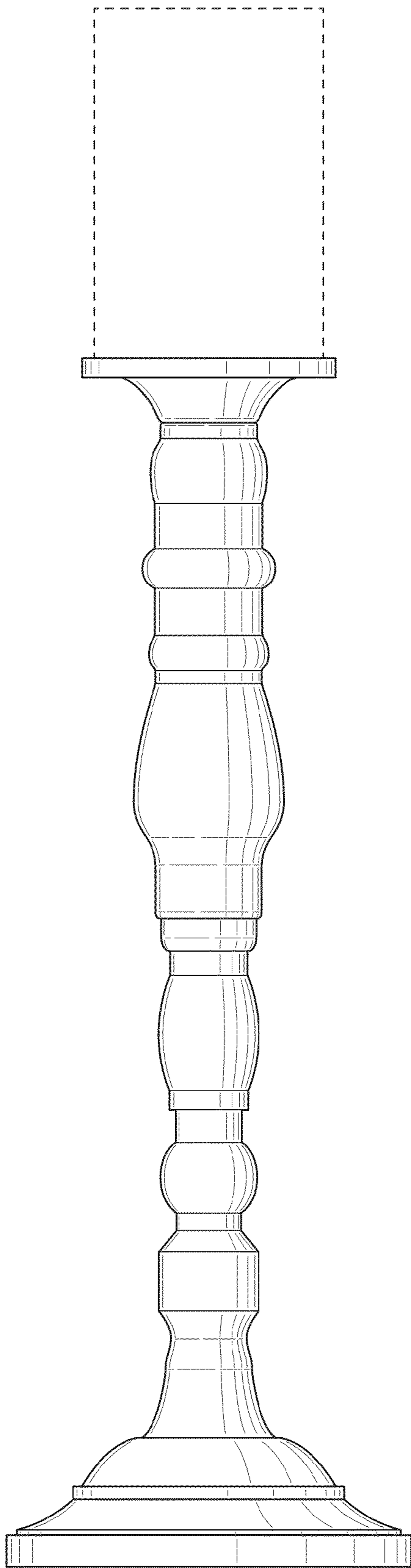


FIG. 2

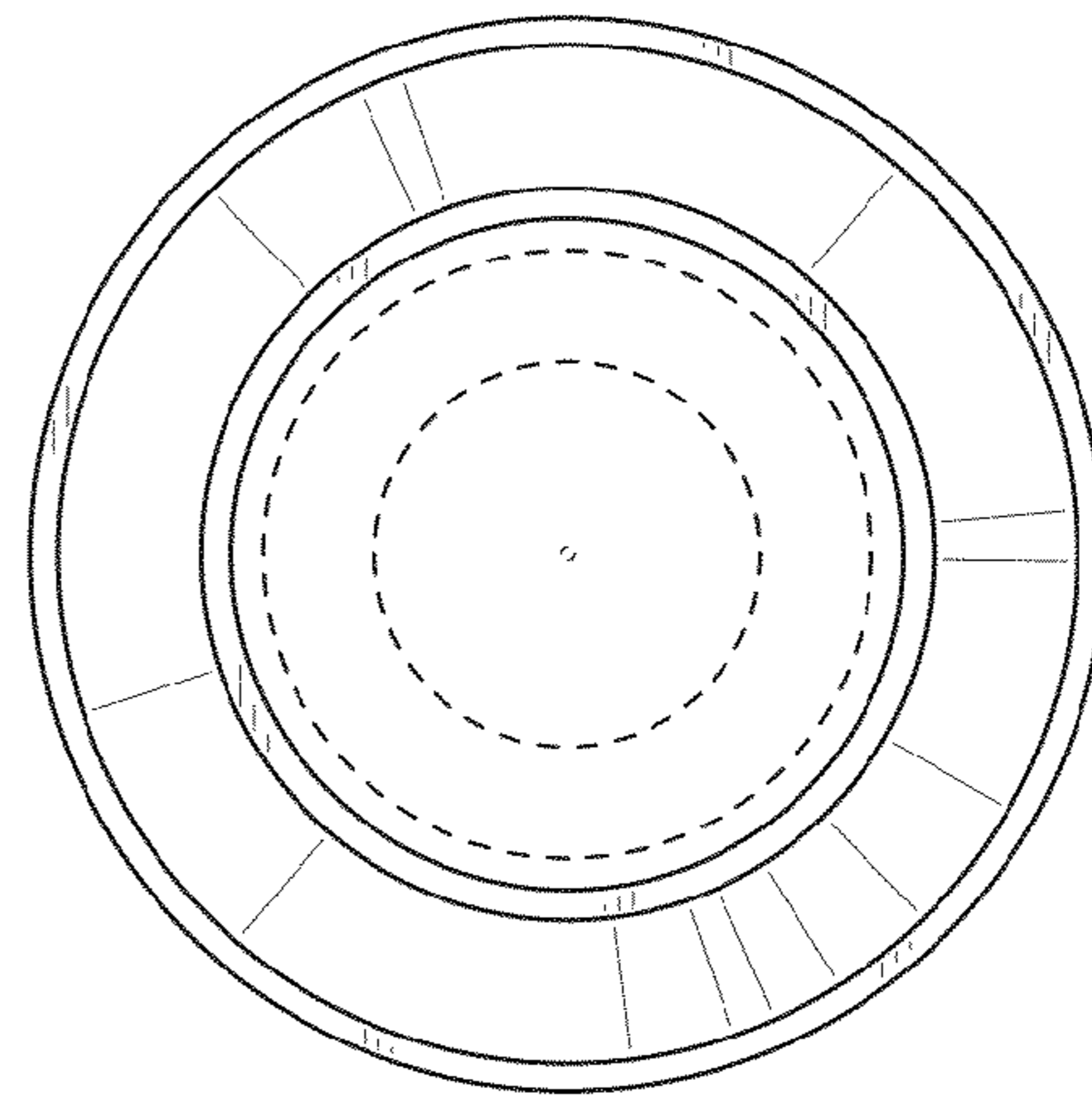


FIG. 3

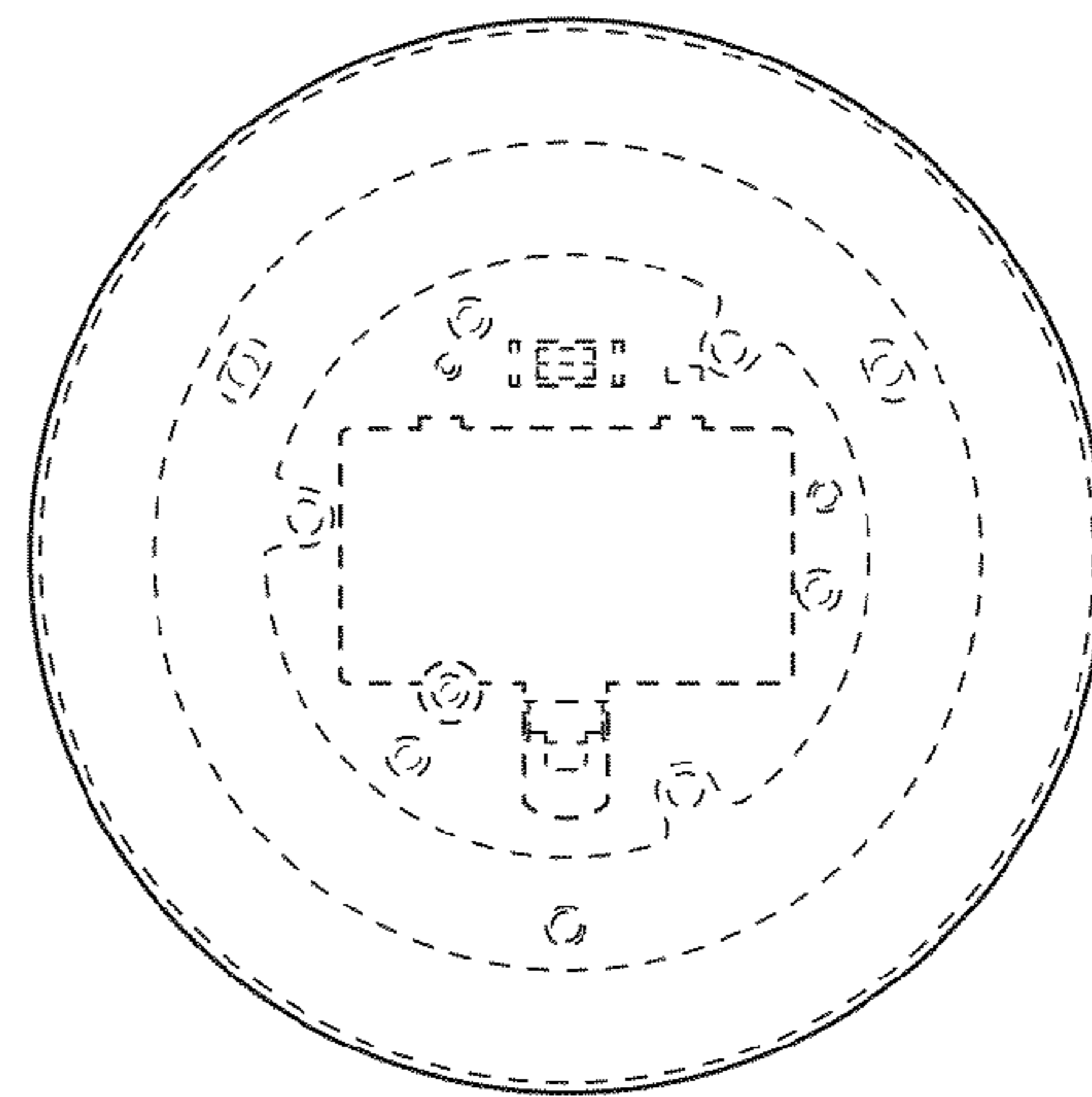


FIG. 4

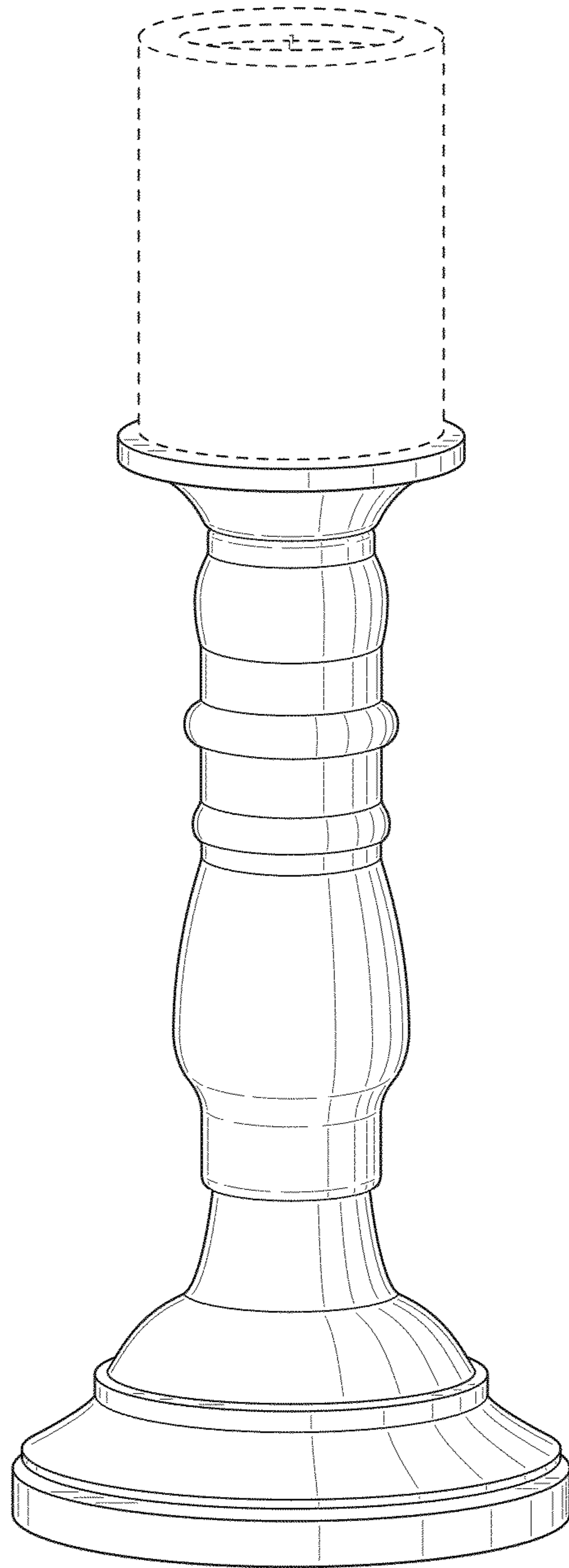


FIG. 5

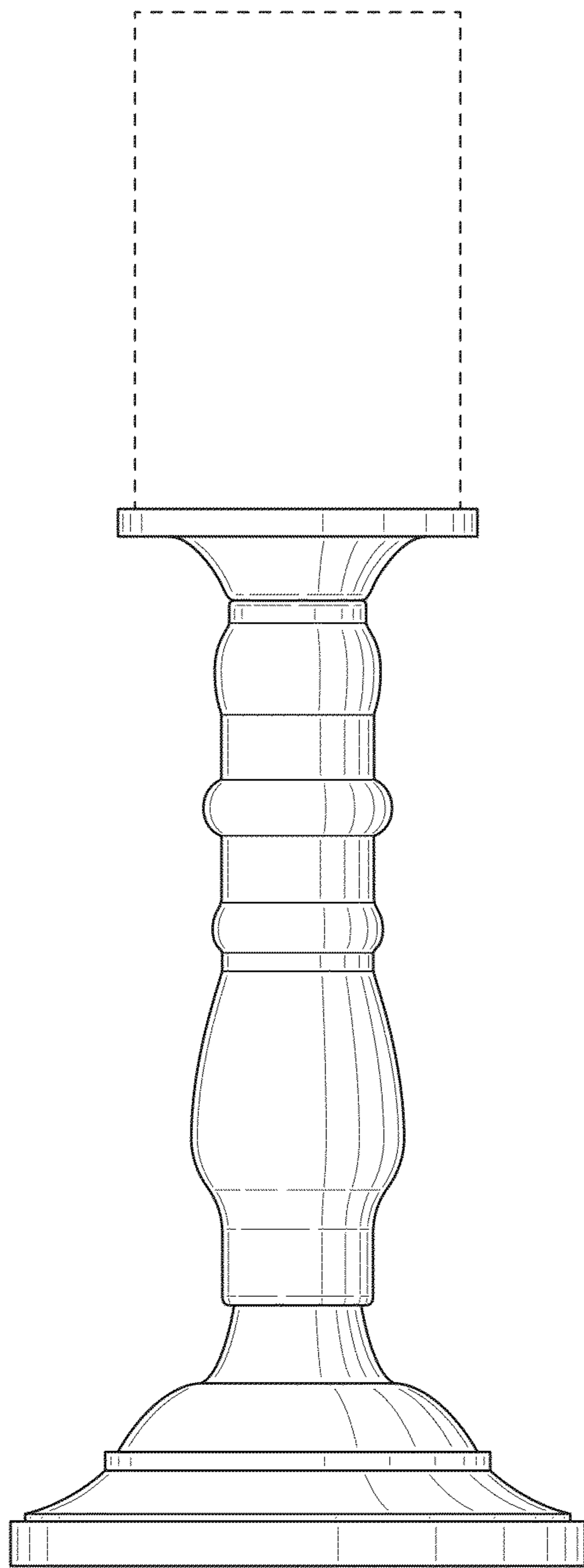


FIG. 6

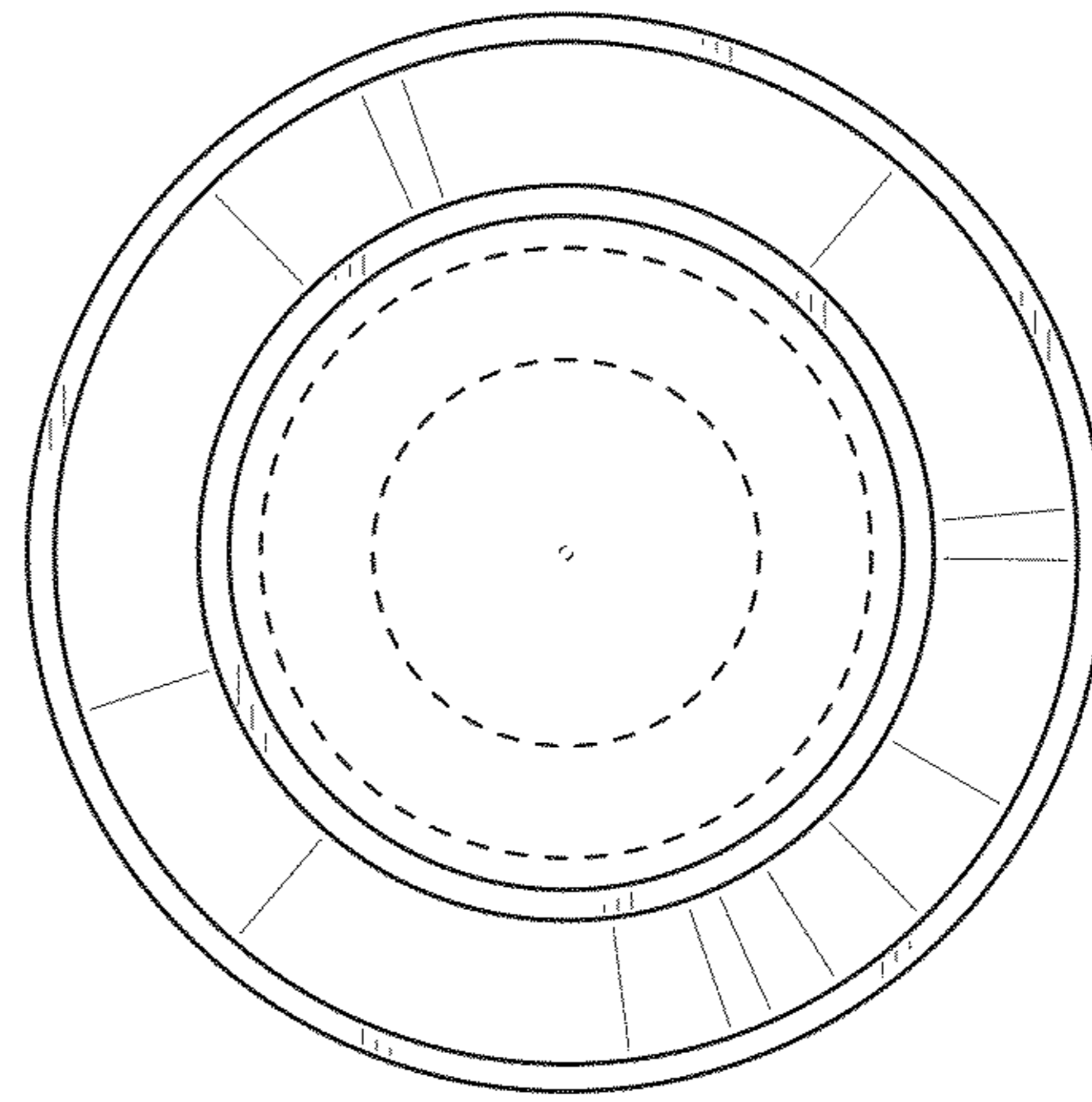


FIG. 7

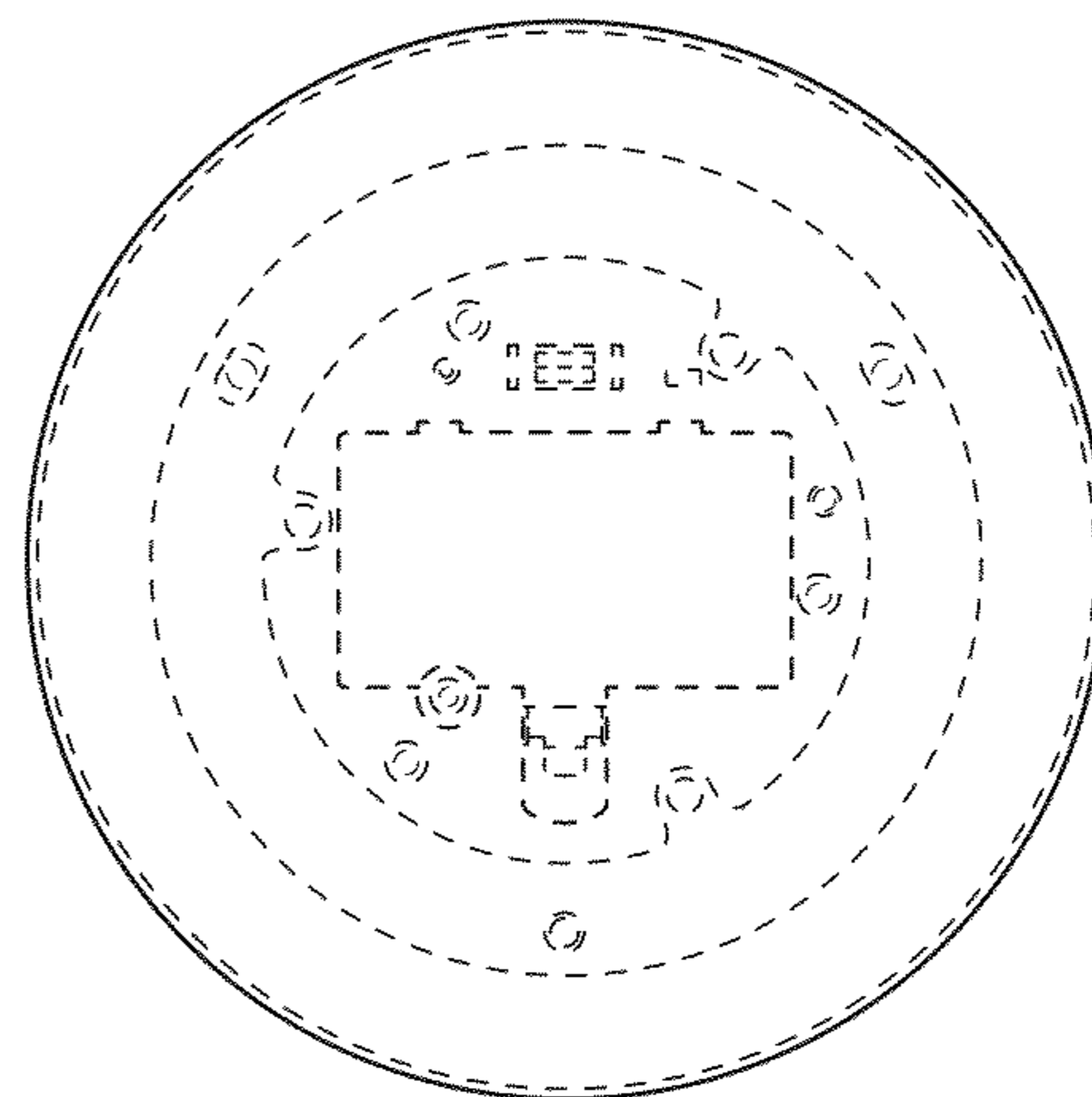


FIG. 8