



US00D710036S

(12) **United States Design Patent**  
**Wakebe**

(10) **Patent No.:** **US D710,036 S**  
(45) **Date of Patent:** **\*\* Jul. 29, 2014**

(54) **ROOFING BOARD**

(71) Applicant: **Nippon Steel & Sumikin Coated Sheet Corporation**, Tokyo (JP)

(72) Inventor: **Takahiko Wakebe**, Tokyo (JP)

(73) Assignee: **Nippon Steel & Sumikin Coated Sheet Corporation**, Tokyo (JP)

(\*\*) Term: **14 Years**

(21) Appl. No.: **29/438,508**

(22) Filed: **Nov. 30, 2012**

(51) **LOC (10) Cl.** ..... **25-01**

(52) **U.S. Cl.**  
USPC ..... **D25/141**

(58) **Field of Classification Search**  
USPC ..... D25/139, 141, 143; 52/519, 539, 546,  
52/544, 547, 560, 578, 554, 555, 557  
See application file for complete search history.

(56) **References Cited**

**U.S. PATENT DOCUMENTS**

5,613,337	A *	3/1997	Plath et al.	52/533
7,467,500	B2 *	12/2008	Fairbanks et al.	52/522
7,775,009	B2 *	8/2010	King	52/520
D641,894	S *	7/2011	Bragg	D25/141
2002/0189188	A1 *	12/2002	Iole et al.	52/536

**FOREIGN PATENT DOCUMENTS**

JP D1452205 10/2012

\* cited by examiner

*Primary Examiner* — Doris Clark

(74) *Attorney, Agent, or Firm* — Edwards Wildman Palmer LLP

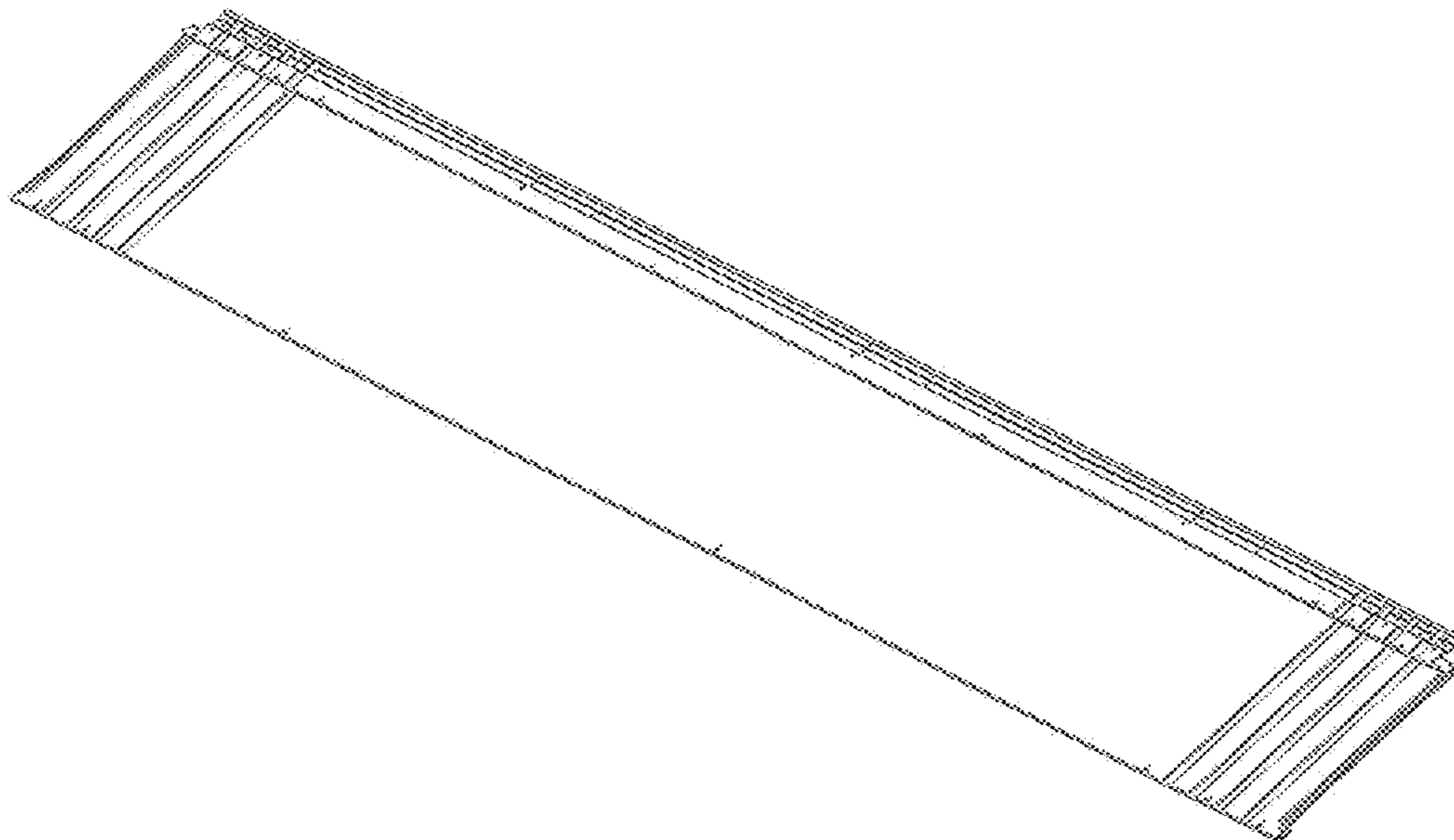
(57) **CLAIM**

The ornamental design for a roofing board, as shown and described.

**DESCRIPTION**

FIG. 1 is a first perspective view of the roofing board;  
 FIG. 2 is a second perspective view thereof;  
 FIG. 3 is a front view thereof;  
 FIG. 4 is a rear view thereof;  
 FIG. 5 is a top plan view thereof;  
 FIG. 6 is a bottom plan view thereof;  
 FIG. 7 is a left-side view thereof;  
 FIG. 8 is a right-side view thereof;  
 FIG. 9 is an enlarged perspective view of the right end of FIG. 1;  
 FIG. 10 is an enlarged perspective view of the left end of FIG. 2;  
 FIG. 11 is an enlarged front view of the right end of FIG. 3;  
 FIG. 12 is an enlarged rear view of the left end of FIG. 4;  
 FIG. 13 is an enlarged right-side view thereof;  
 FIG. 14 is an enlarged left-side view thereof;  
 FIG. 15 is an enlarged view of the right end of FIG. 5;  
 FIG. 16 is an enlarged view of the right end of FIG. 6;  
 FIG. 17 is an enlarged cross sectional view taken along line 17-17 of FIG. 4;  
 FIG. 18 is an enlarged cross sectional view taken along line 18-18 of FIG. 4;  
 FIG. 19 is an enlarged cross sectional view taken along lines 19-19 of FIG. 11;  
 FIG. 20 is an enlarged cross sectional view taken along lines 20-20 of FIG. 11; and,  
 FIG. 21 is a perspective view thereof.  
 Broken lines in the drawing disclosure are for illustrative purposes only and form no part of the claimed design.

**1 Claim, 9 Drawing Sheets**



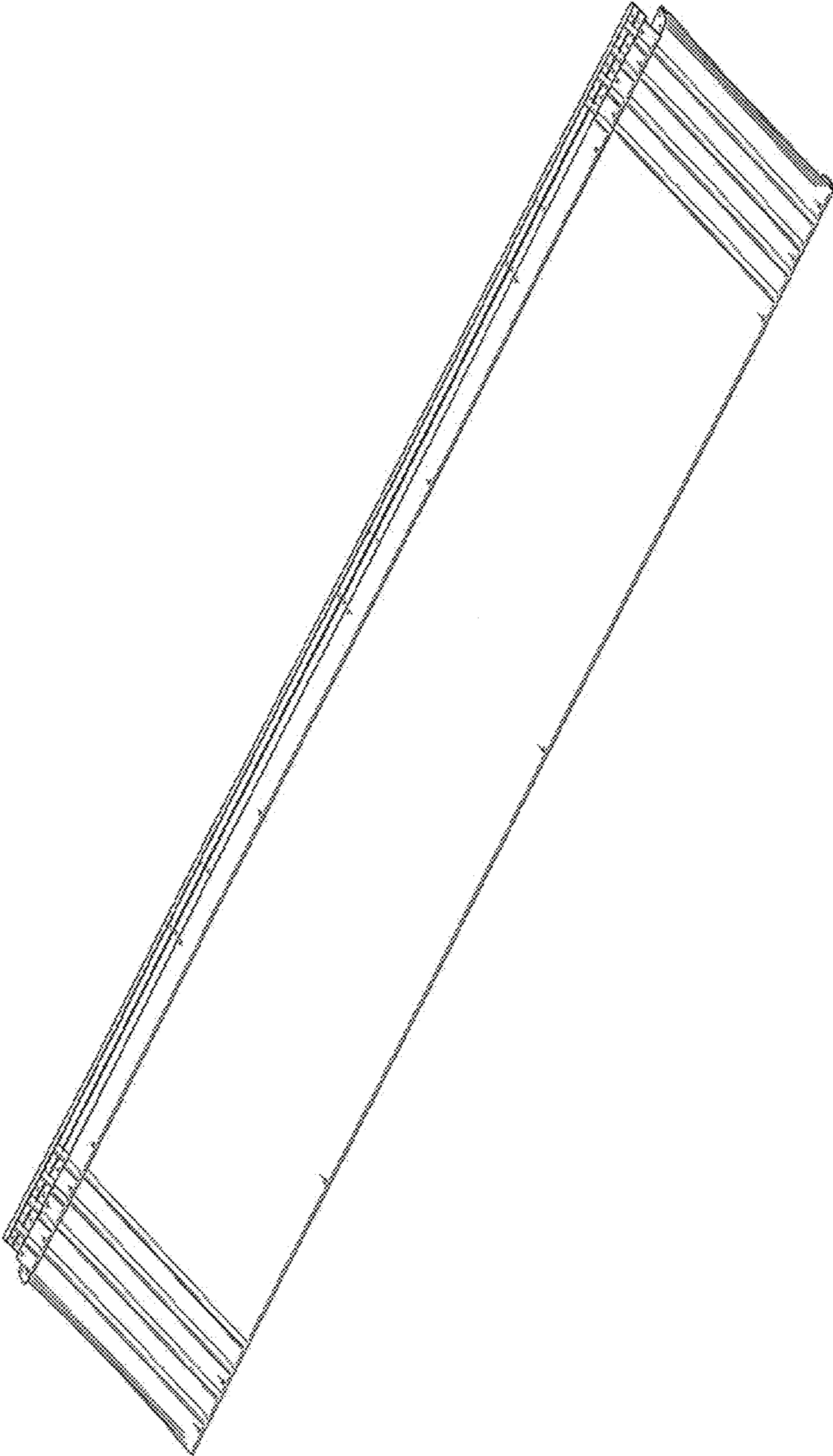


FIG. 1

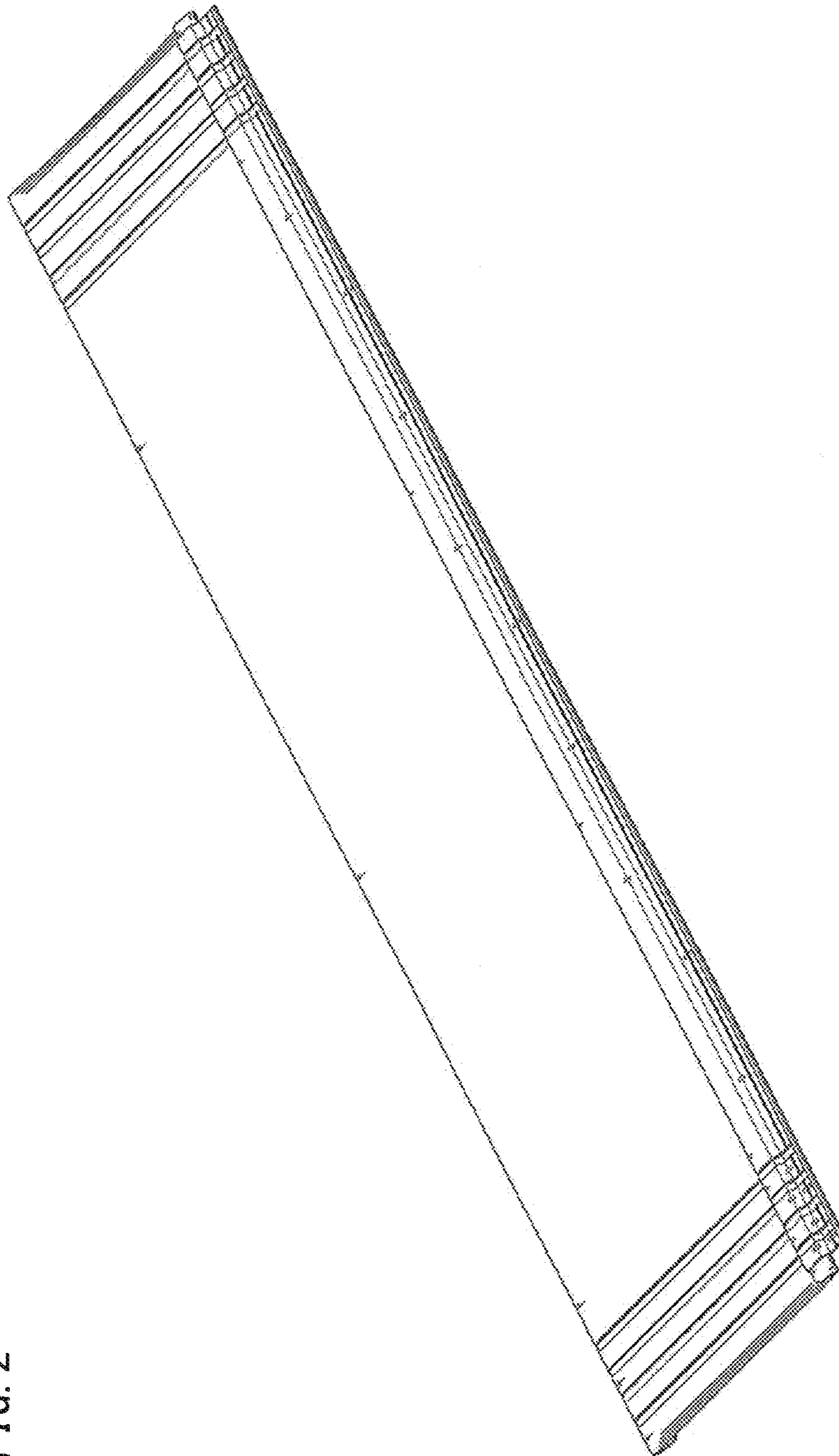


FIG. 2

FIG. 3

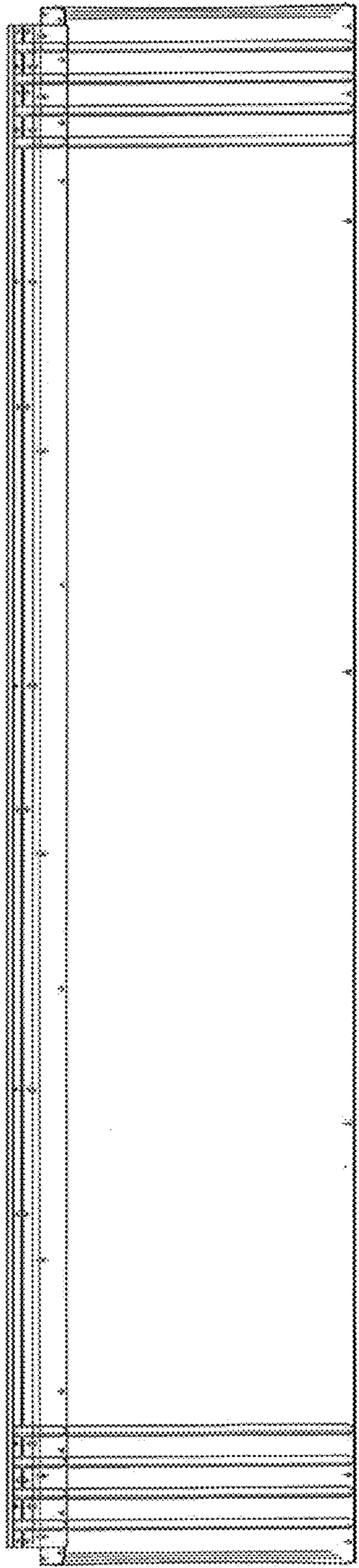


FIG. 4

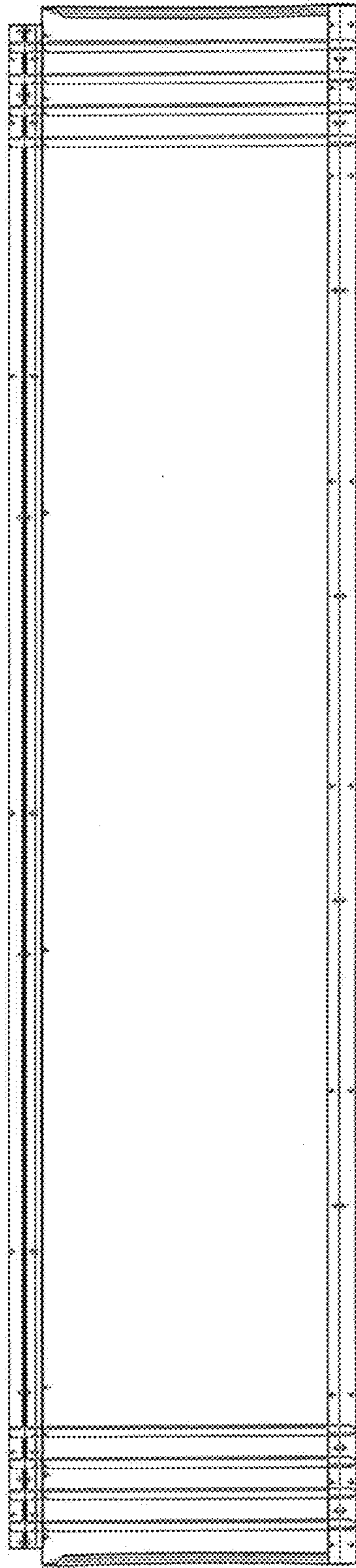


FIG. 5



FIG. 6



FIG. 7



FIG. 8



FIG. 9

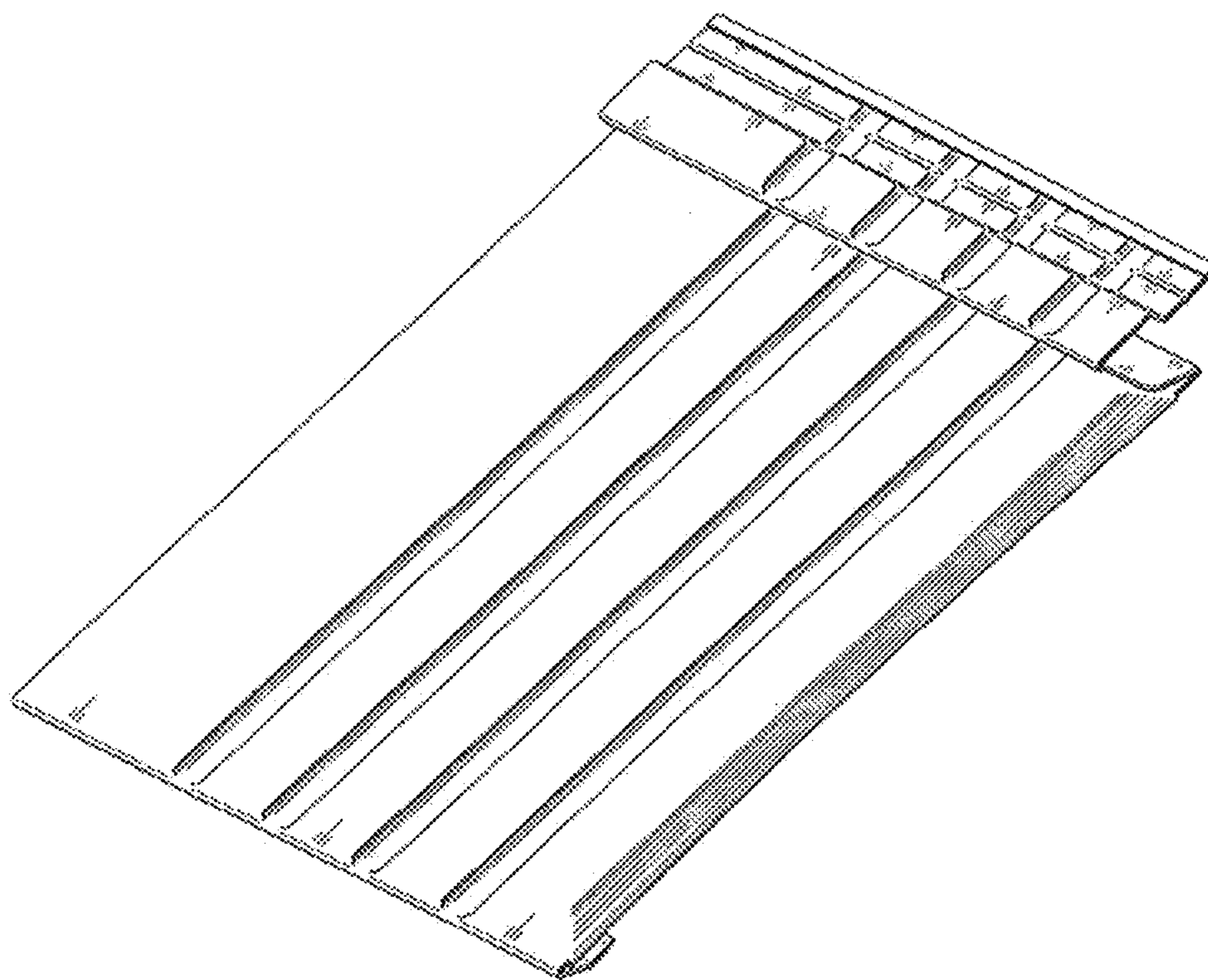


FIG. 10

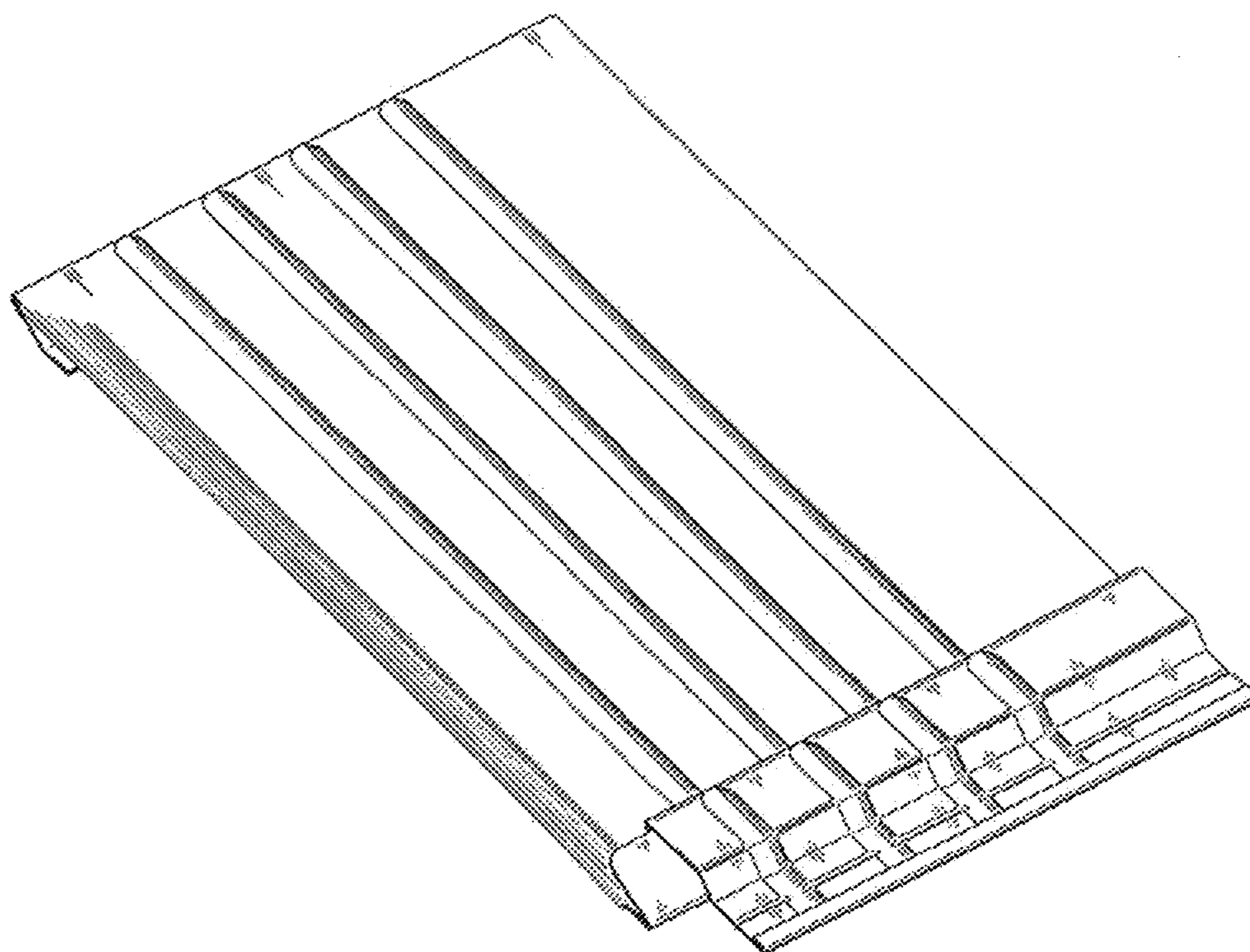


FIG. 11

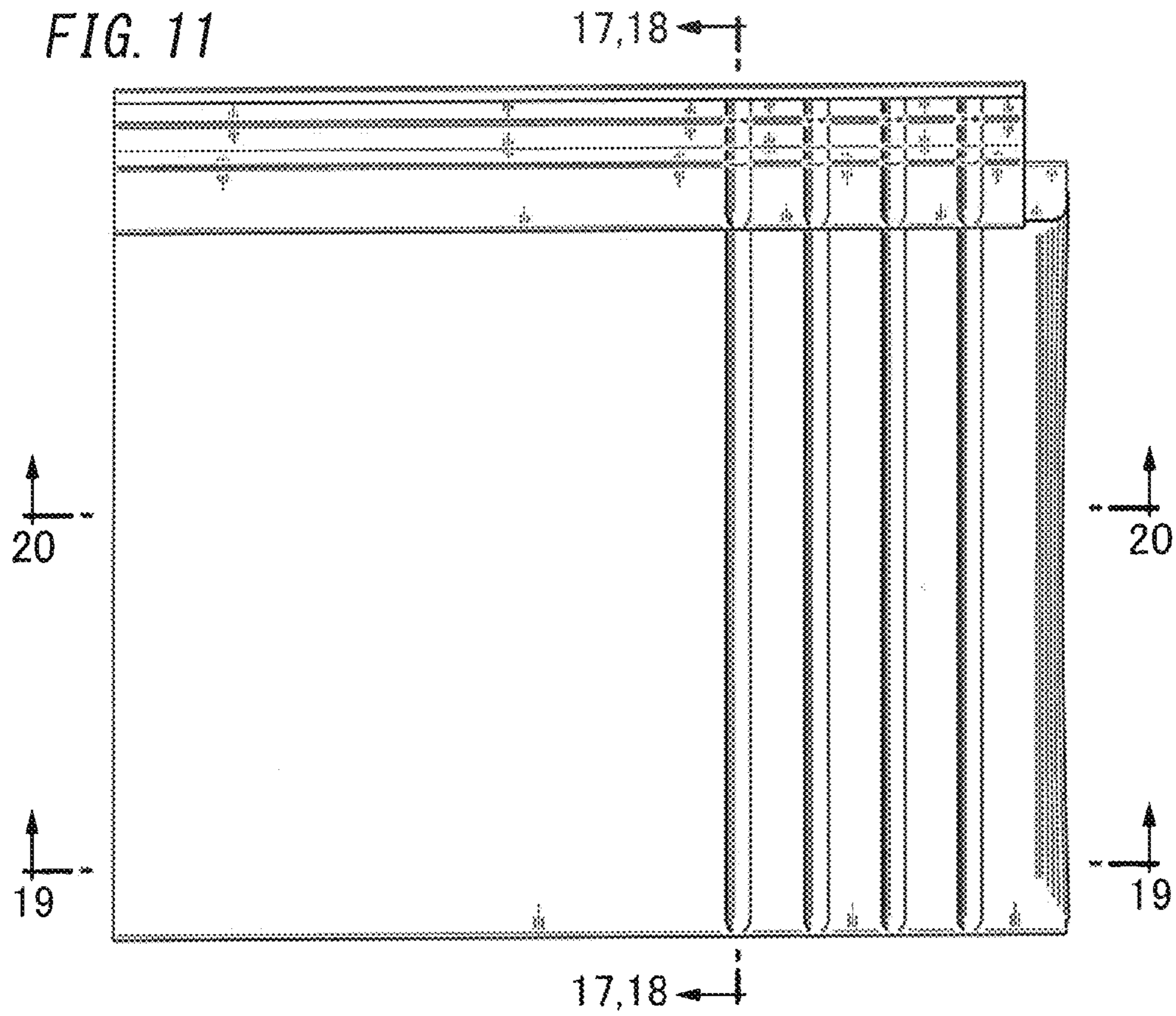
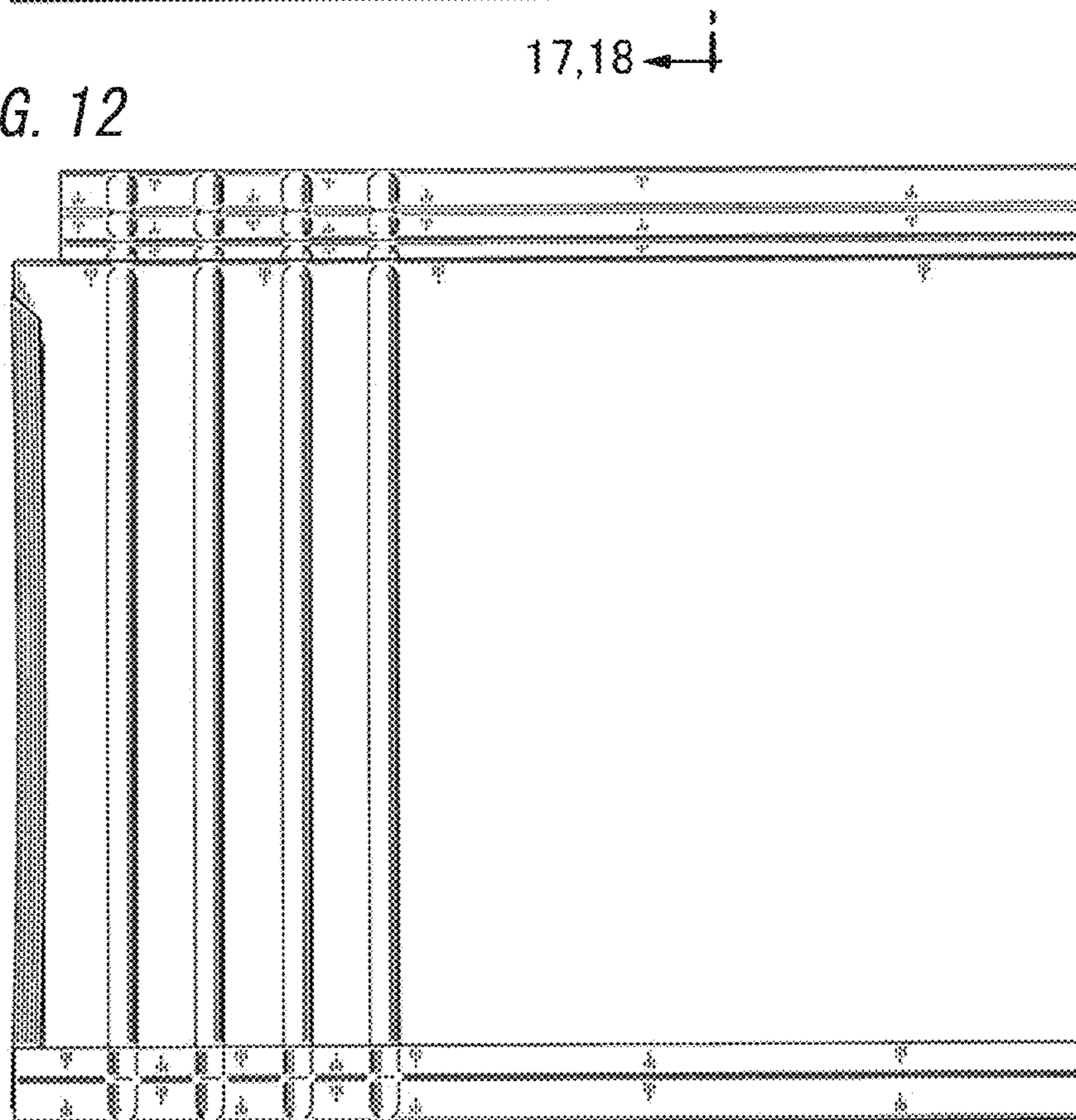
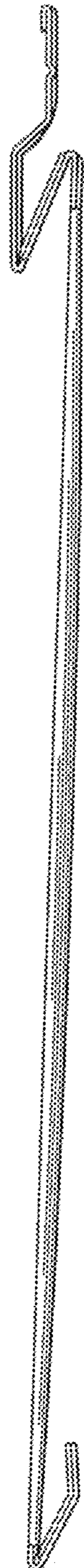


FIG. 12



*FIG. 13*



*FIG. 14*

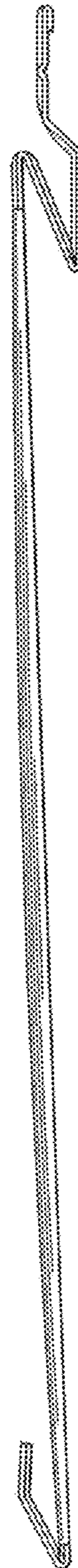




FIG. 15

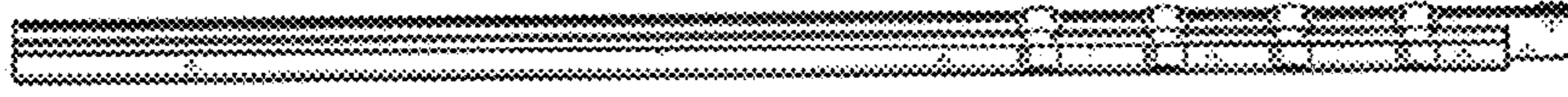


FIG. 16

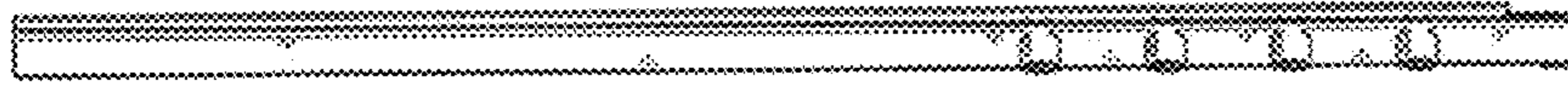


FIG. 17

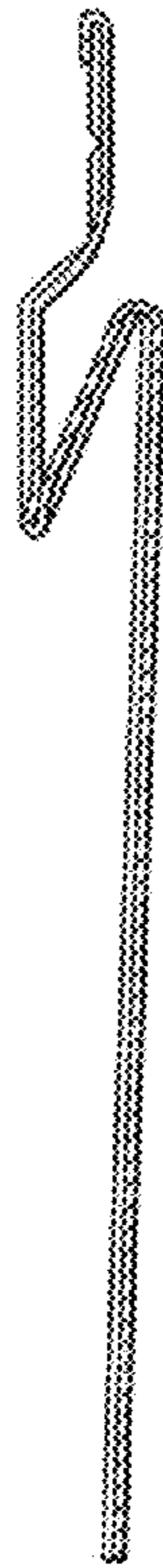


FIG. 18

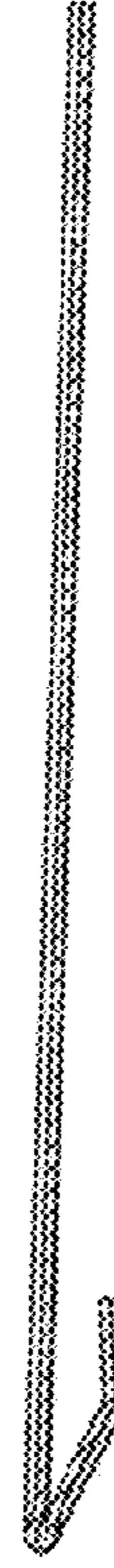


FIG. 19



FIG. 20



FIG. 21

