



US00D710035S

(12) **United States Design Patent**
Amend

(10) **Patent No.:** **US D710,035 S**
(45) **Date of Patent:** **** Jul. 29, 2014**

(54) **INSULATING WALL PANEL**

(71) Applicant: **Victor Amend**, Toronto (CA)

(72) Inventor: **Victor Amend**, Toronto (CA)

(**) Term: **14 Years**

(21) Appl. No.: **29/451,047**

(22) Filed: **Mar. 27, 2013**

(51) **LOC (10) Cl.** **25-01**

(52) **U.S. Cl.**
USPC **D25/138**

(58) **Field of Classification Search**
USPC D25/138; 52/309.15, 404.1, 407.1
See application file for complete search history.

(56) **References Cited**

U.S. PATENT DOCUMENTS

4,937,122 A *	6/1990	Talbert	428/68
D598,576 S *	8/2009	Henriquez	D25/138
D637,314 S *	5/2011	Zeeff	D25/119
2009/0313931 A1 *	12/2009	Porter	52/309.4

* cited by examiner

Primary Examiner — Doris Clark

(74) *Attorney, Agent, or Firm* — The Farrell Law Firm, P.C.

(57) **CLAIM**

The ornamental design for an insulating wall panel, as shown and described.

DESCRIPTION

FIG. 1 is a front perspective view one embodiment of the insulating wall panel in accordance with the subject design; FIG. 2 is a front elevational view of the insulating wall panel of FIG. 1; FIG. 3 is a side view of the insulating wall panel of FIG. 1; FIG. 4 is an end view of the insulating wall panel of FIG. 1; FIG. 5 is a rear elevational view of the insulating wall panel of FIG. 1;

FIG. 6 is an opposite side view of the insulating wall panel of FIG. 1; FIG. 7 is an opposite end view of the insulating wall panel of FIG. 1; FIG. 8 is an enlarged fragmentary view of a portion of the insulating wall panel of FIG. 3 identified by reference numeral 8; FIG. 9 is an enlarged fragmentary view of a portion of the insulating wall panel of FIG. 4 identified by reference numeral 9; FIG. 10 is a front elevational view of a second embodiment of the insulating wall panel in accordance with the subject design; FIG. 11 is a side view of the insulating wall panel of FIG. 10, the opposite side being a mirror image; FIG. 12 is an end view of the insulating wall panel of FIG. 10, the opposite end being a mirror image; FIG. 13 is an enlarged fragmentary view of a portion of the insulating wall panel of FIG. 11 identified by reference numeral 13; FIG. 14 is an enlarged fragmentary view of a portion of the insulating wall panel of FIG. 12 identified by reference numeral 14; FIG. 15 is a front elevational view of a third embodiment of the insulating wall panel in accordance with the subject design; FIG. 16 is a side view of the insulating wall panel of FIG. 15, the opposite side being a mirror image; FIG. 17 is an end view of the insulating wall panel of FIG. 15, the opposite end being a mirror image; FIG. 18 is an enlarged fragmentary view of a portion of the insulating wall panel of FIG. 16 identified by reference numeral 18; FIG. 19 is an enlarged fragmentary view of a portion of the insulating wall panel of FIG. 17 identified by reference numeral 19; FIG. 20 is a front elevational view of a fourth embodiment of the insulating wall panel in accordance with the subject design; FIG. 21 is a side view of the insulating wall panel of FIG. 20, the opposite side being a mirror image; FIG. 22 is an end view of the insulating wall panel of FIG. 20, the opposite end being a mirror image;

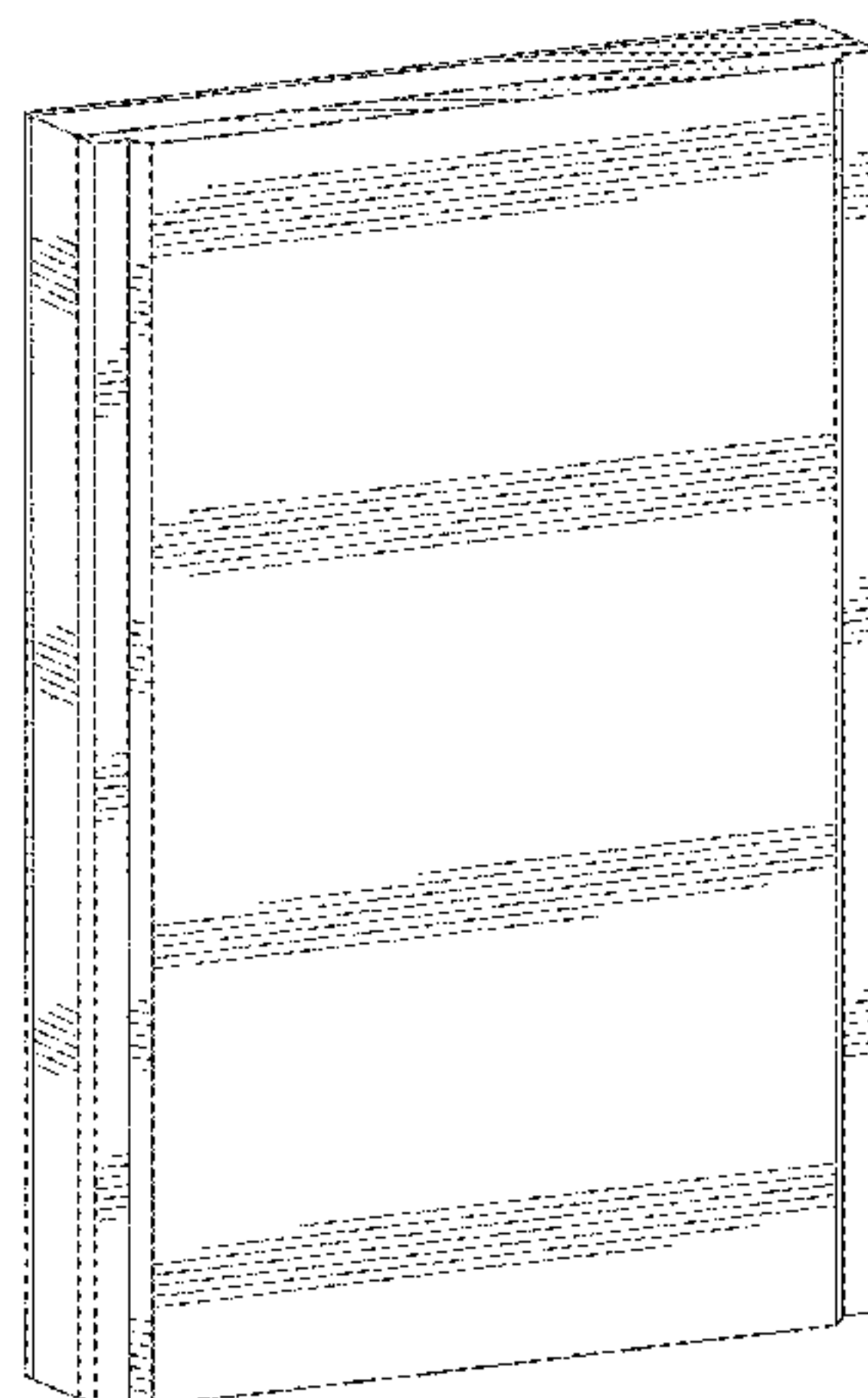


FIG. 23 is an enlarged fragmentary view of a portion of the insulating wall panel of FIG. 21 identified by reference numeral 23;

FIG. 24 is an enlarged fragmentary view of a portion of the insulating wall panel of FIG. 22 identified by reference numeral 24;

FIG. 25 is a front elevational view of a fifth embodiment of the insulating wall panel in accordance with the subject design;

FIG. 26 is a side view of the insulating wall panel of FIG. 25, the opposite side being a mirror image;

FIG. 27 is an end view of the insulating wall panel of FIG. 25, the opposite end being a mirror image;

FIG. 28 is an enlarged fragmentary view of a portion of the insulating wall panel of FIG. 26 identified by reference numeral 28;

FIG. 29 is an enlarged fragmentary view of a portion of the insulating wall panel of FIG. 27 identified by reference numeral 29;

FIG. 30 is a front elevational view of a sixth embodiment of the insulating wall panel in accordance with the subject design;

FIG. 31 is a side view of the insulating wall panel of FIG. 30, the opposite side being a mirror image;

FIG. 32 is an end view of the insulating wall panel of FIG. 30, the opposite end being a mirror image;

FIG. 33 is an enlarged fragmentary view of a portion of the insulating wall panel of FIG. 31 identified by reference numeral 33;

FIG. 34 is an enlarged fragmentary view of a portion of the insulating wall panel of FIG. 32 identified by reference numeral 34;

FIG. 35 is a front perspective view of a seventh embodiment of the insulating wall panel in accordance with the subject design;

FIG. 36 is a front elevational view of the insulating wall panel of FIG. 35;

FIG. 37 is a side view of the insulating wall panel of FIG. 35;

FIG. 38 is an end view of the insulating wall panel of FIG. 35;

FIG. 39 is a rear elevational view of the insulating wall panel of FIG. 35;

FIG. 40 is an opposite side view of the insulating wall panel of FIG. 35;

FIG. 41 is an opposite end view of the insulating wall panel of FIG. 35;

FIG. 42 is an enlarged fragmentary view of a portion of the insulating wall panel of FIG. 37 identified by reference numeral 42;

FIG. 43 is an enlarged fragmentary view of a portion of the insulating wall panel of FIG. 38 identified by reference numeral 43;

FIG. 44 is a front elevational view of an eighth embodiment of the insulating wall panel in accordance with the subject design;

FIG. 45 is a side view of the insulating wall panel of FIG. 44, the opposite side being a mirror image;

FIG. 46 is an end view of the insulating wall panel of FIG. 44, the opposite end being a mirror image;

FIG. 47 is an enlarged fragmentary view of a portion of the insulating wall panel of FIG. 45 identified by reference numeral 47;

FIG. 48 is an enlarged fragmentary view of a portion of the insulating wall panel of FIG. 46 identified by reference numeral 48;

FIG. 49 is a front elevational view of a ninth embodiment of the insulating wall panel in accordance with the subject design;

FIG. 50 is a side view of the insulating wall panel of FIG. 49, the opposite side being a mirror image;

FIG. 51 is an end view of the insulating wall panel of FIG. 49, the opposite end being a mirror image;

FIG. 52 is an enlarged fragmentary view of a portion of the insulating wall panel of FIG. 50 identified by reference numeral 52;

FIG. 53 is an enlarged fragmentary view of a portion of the insulating wall panel of FIG. 51 identified by reference numeral 53;

FIG. 54 is a front elevational view of a tenth embodiment of the insulating wall panel in accordance with the subject design;

FIG. 55 is a side view of the insulating wall panel of FIG. 54, the opposite side being a mirror image;

FIG. 56 is an end view of the insulating wall panel of FIG. 54, the opposite end being a mirror image;

FIG. 57 is an enlarged fragmentary view of a portion of the insulating wall panel of FIG. 55 identified by reference numeral 57;

FIG. 58 is an enlarged fragmentary view of a portion of the insulating wall panel of FIG. 56 identified by reference numeral 58;

FIG. 59 is a front elevational view of an eleventh embodiment of the insulating wall panel in accordance with the subject design;

FIG. 60 is a side view of the insulating wall panel of FIG. 59, the opposite side being a mirror image;

FIG. 61 is an end view of the insulating wall panel of FIG. 59, the opposite end being a mirror image;

FIG. 62 is an enlarged fragmentary view of a portion of the insulating wall panel of FIG. 60 identified by reference numeral 62;

FIG. 63 is an enlarged fragmentary view of a portion of the insulating wall panel of FIG. 61 identified by reference numeral 63;

FIG. 64 is a front elevational view of a twelfth embodiment of the insulating wall panel in accordance with the subject design;

FIG. 65 is a side view of the insulating wall panel of FIG. 64, the opposite side being a mirror image;

FIG. 66 is an end view of the insulating wall panel of FIG. 64, the opposite end being a mirror image;

FIG. 67 is an enlarged fragmentary view of a portion of the insulating wall panel of FIG. 65 identified by reference numeral 67; and,

FIG. 68 is an enlarged fragmentary view of a portion of the insulating wall panel of FIG. 66 identified by reference numeral 68.

Fig. 1

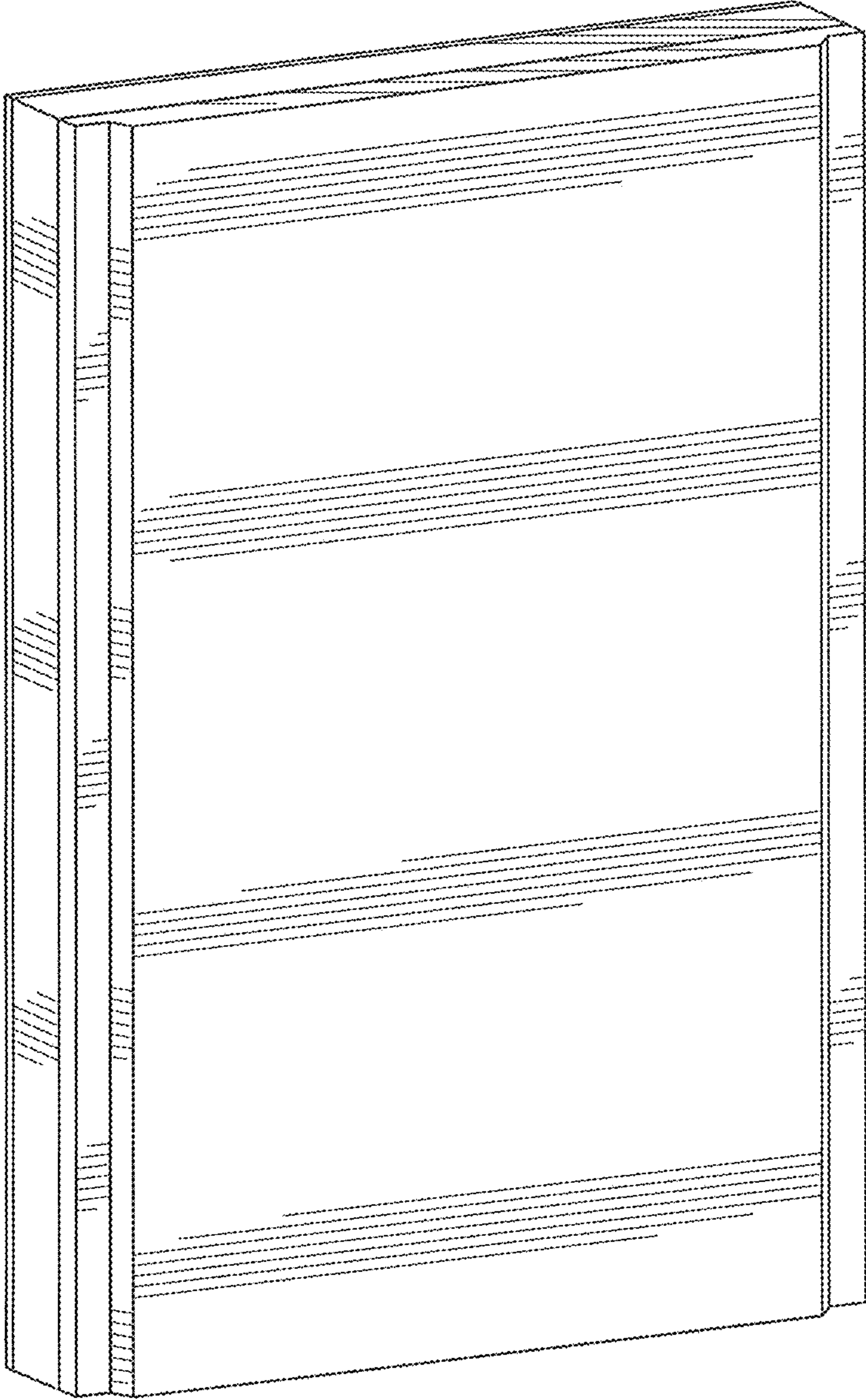


Fig.2

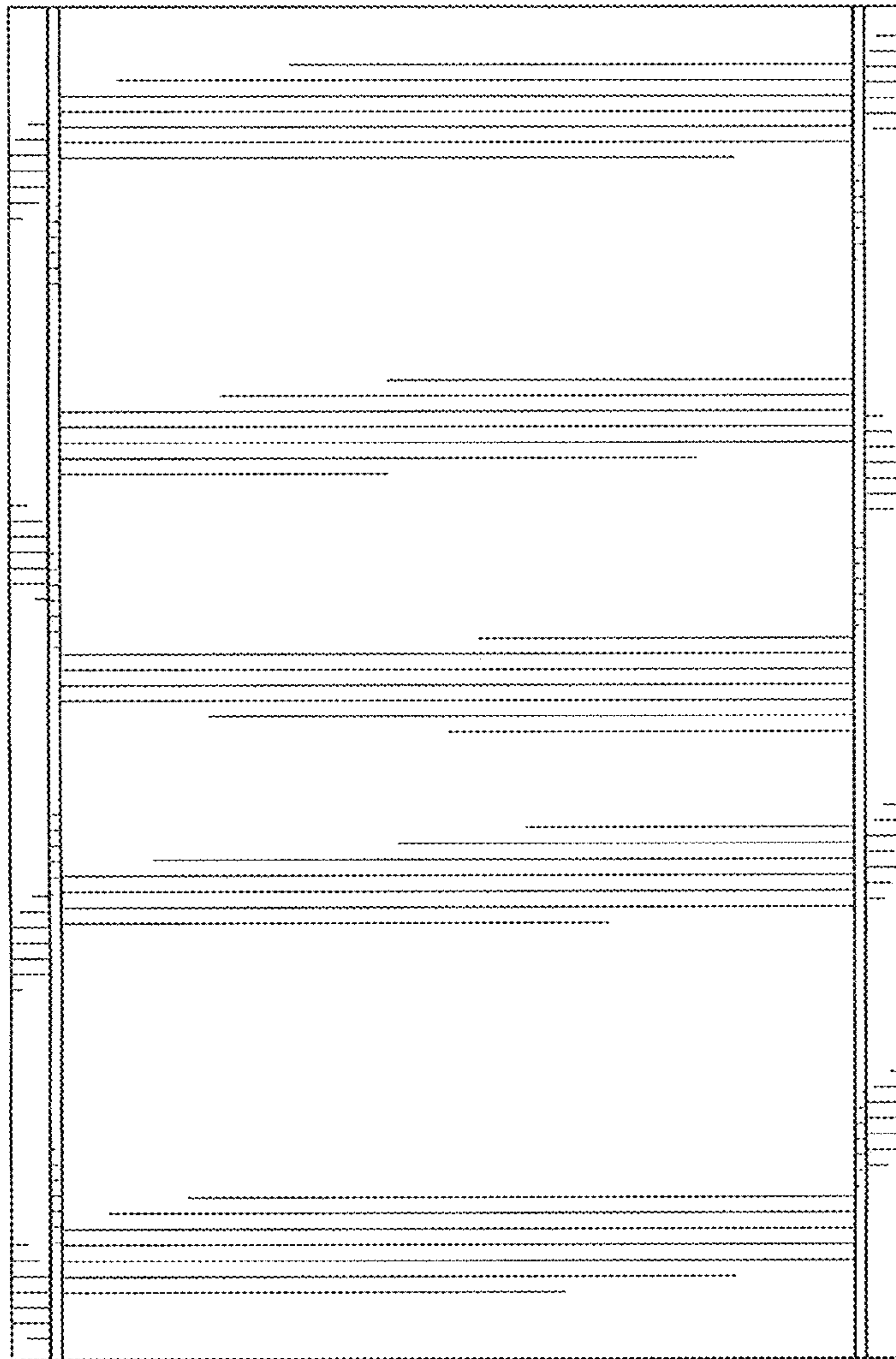


Fig.3

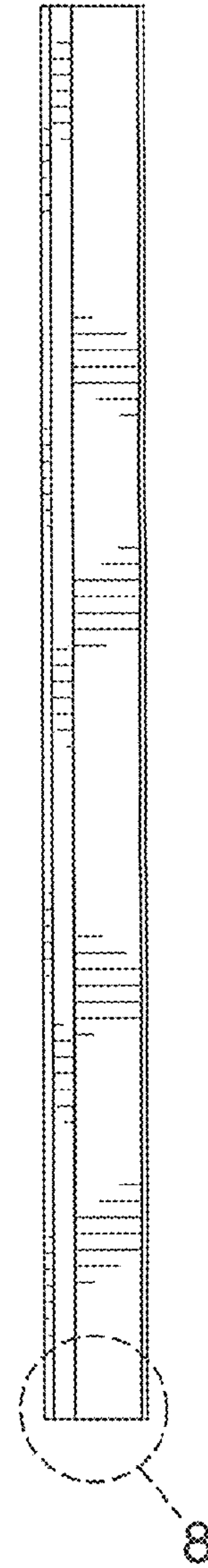


Fig.4

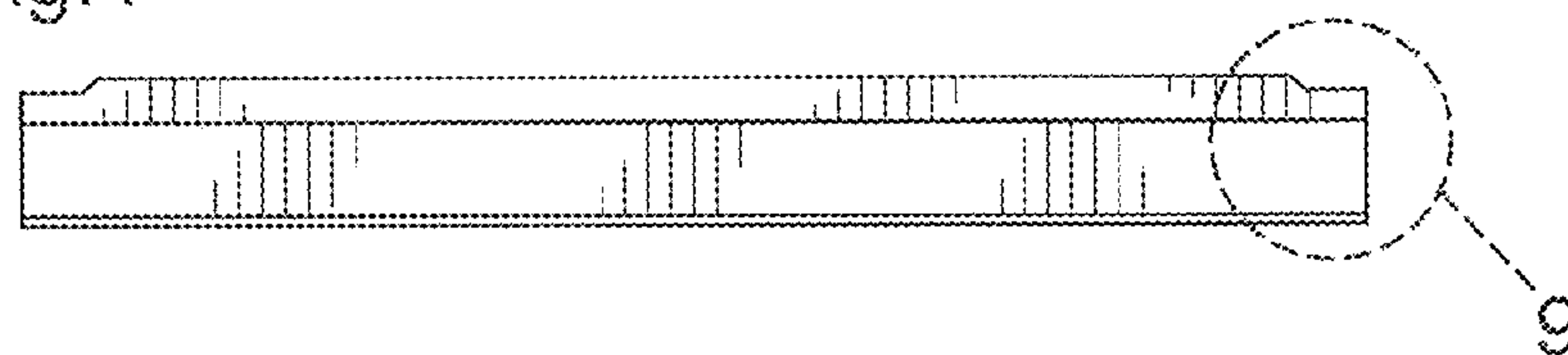


Fig.5

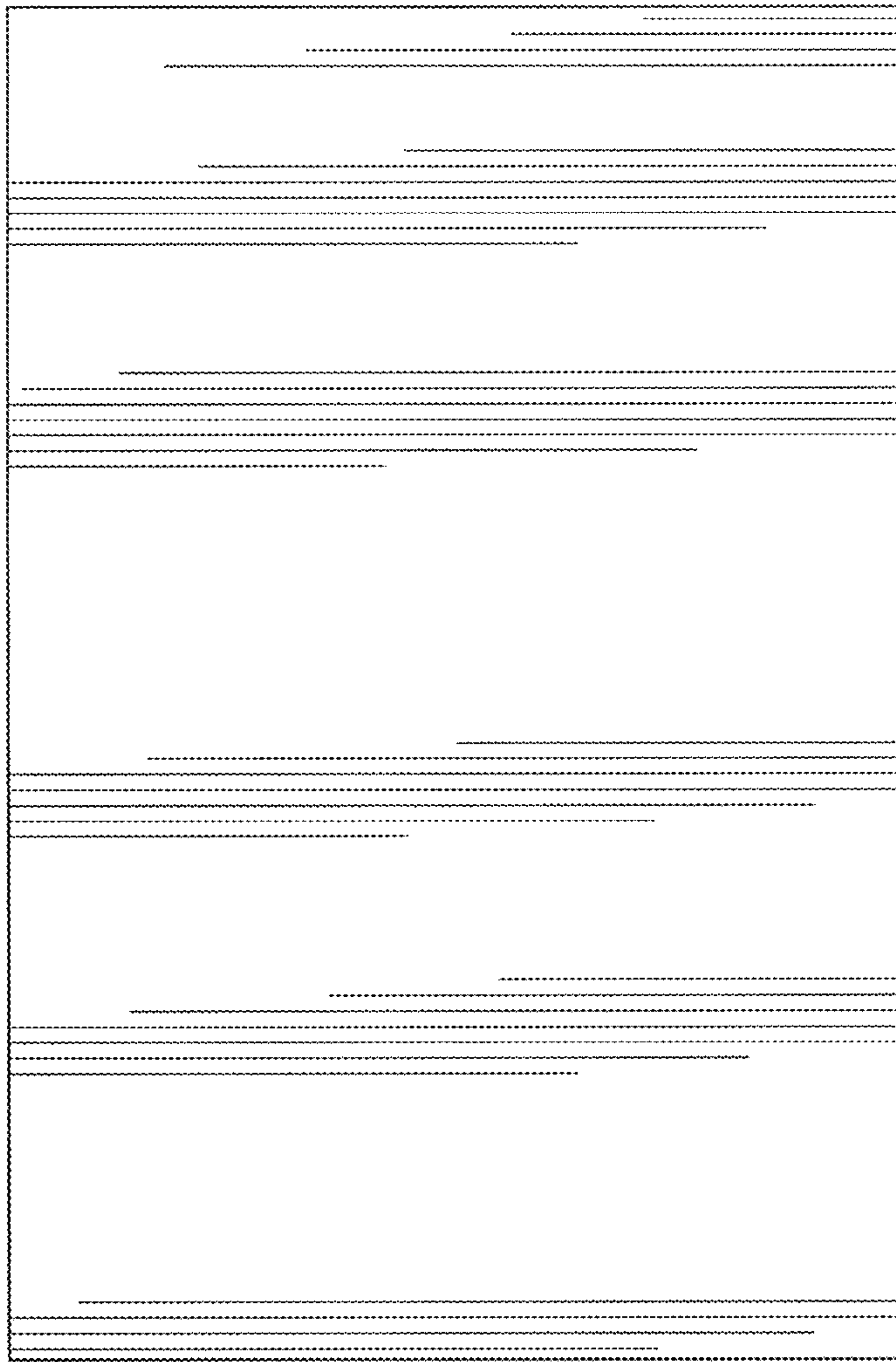


Fig.6

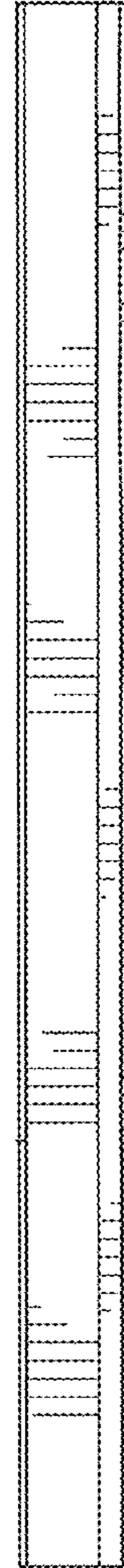


Fig.7

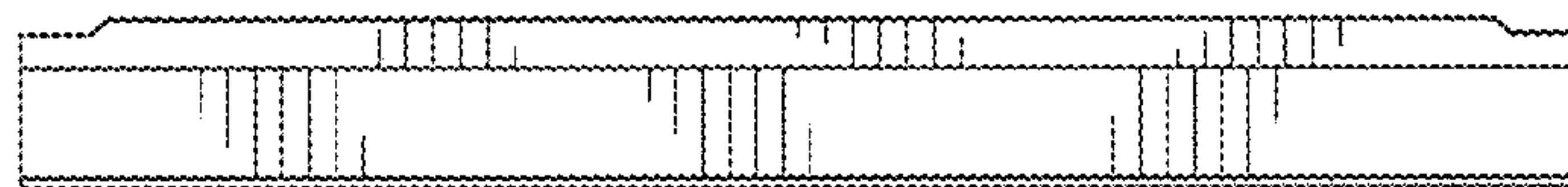


Fig.8

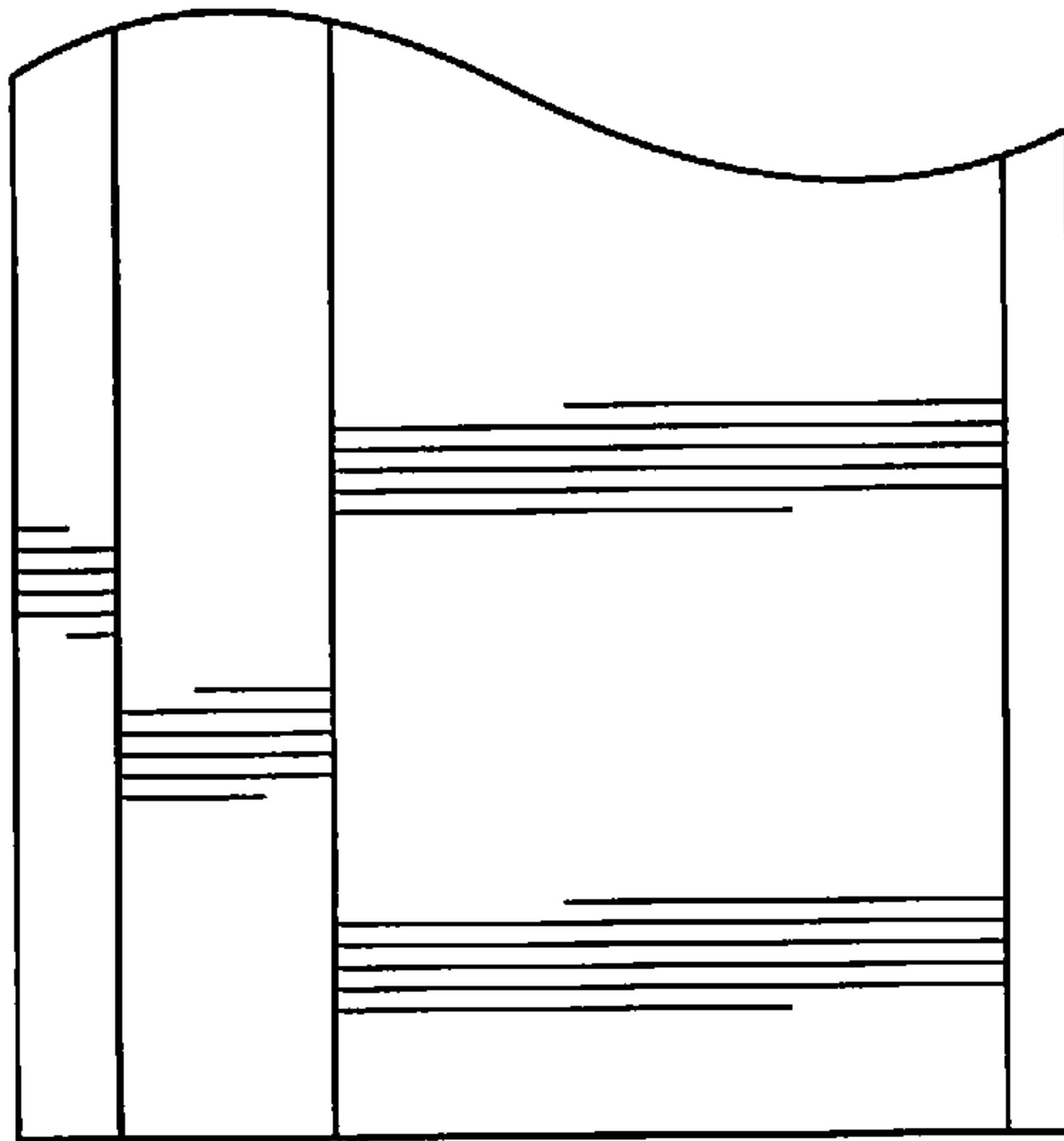


Fig.9

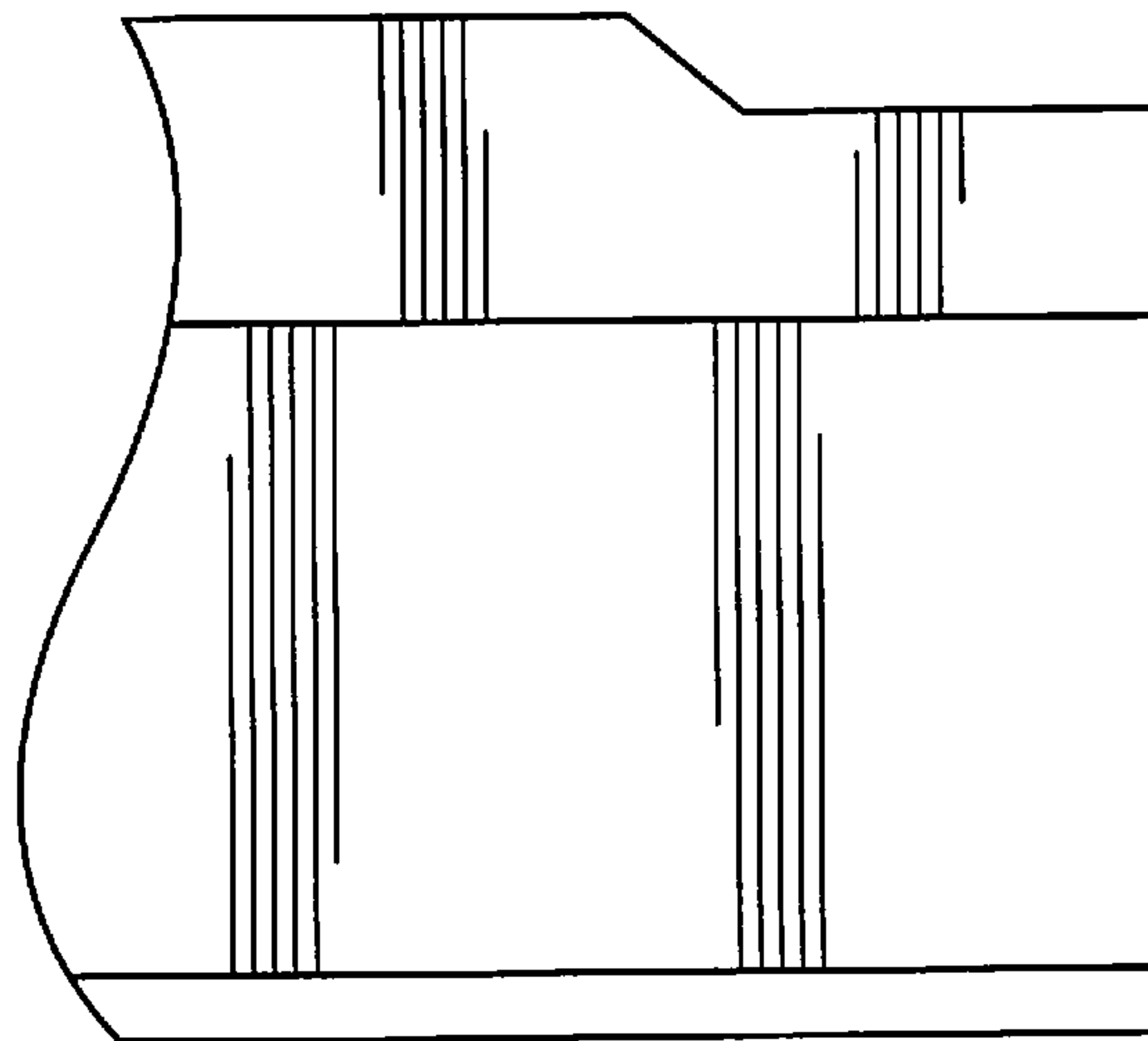


Fig.10

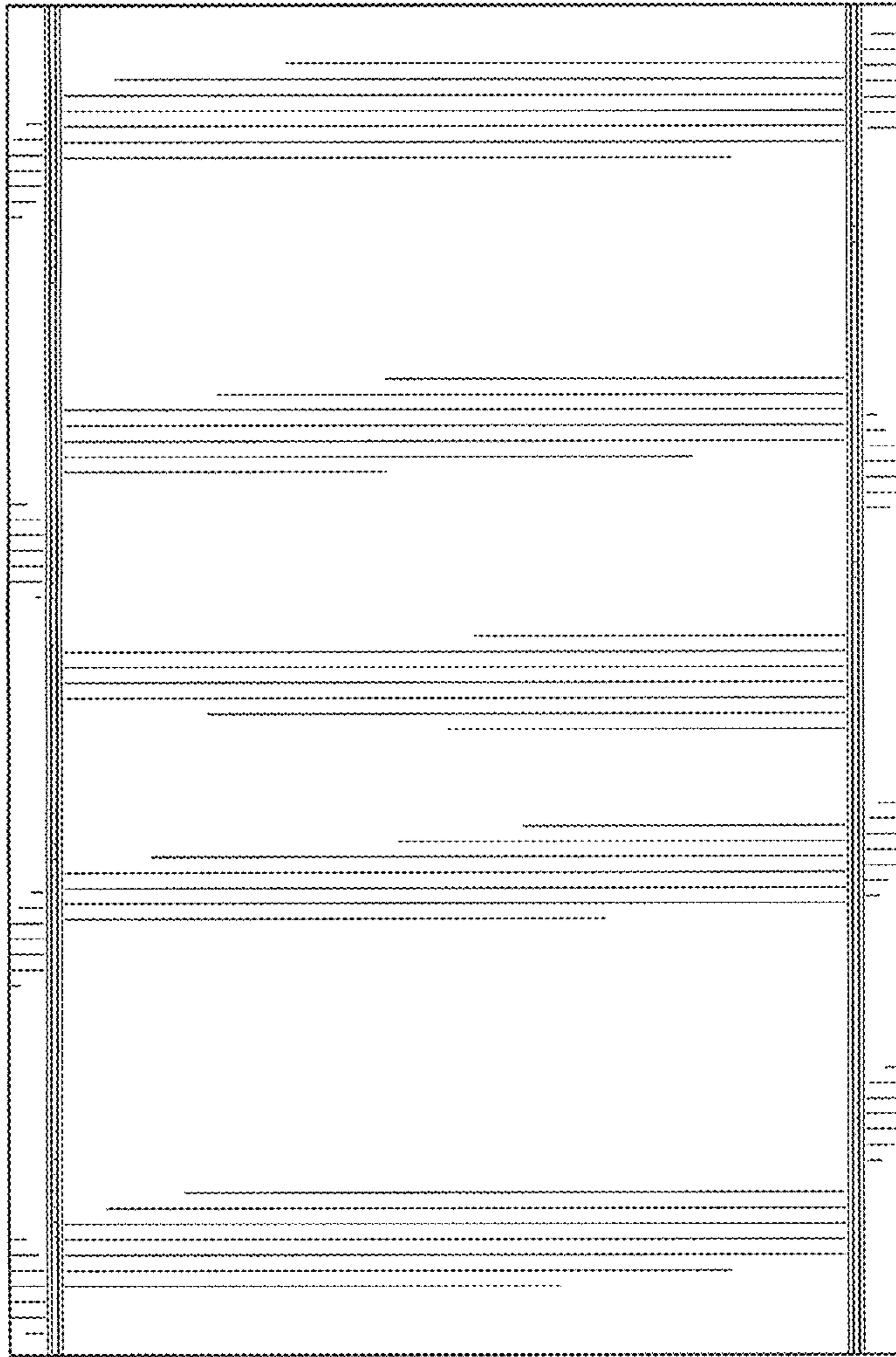


Fig.11

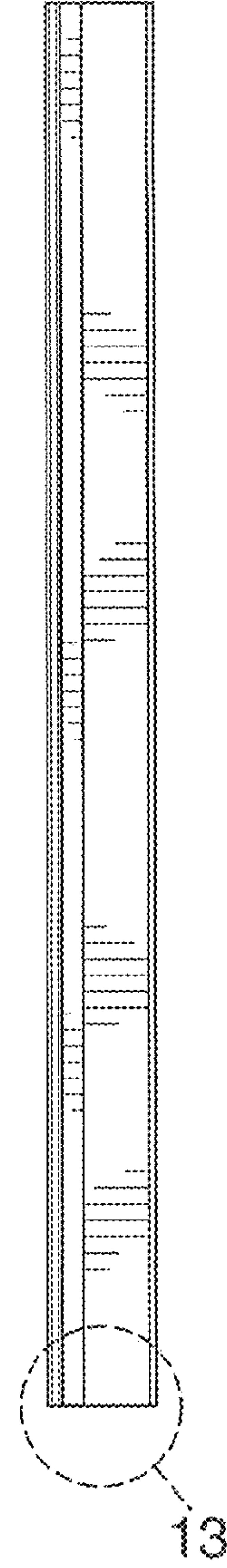


Fig.12

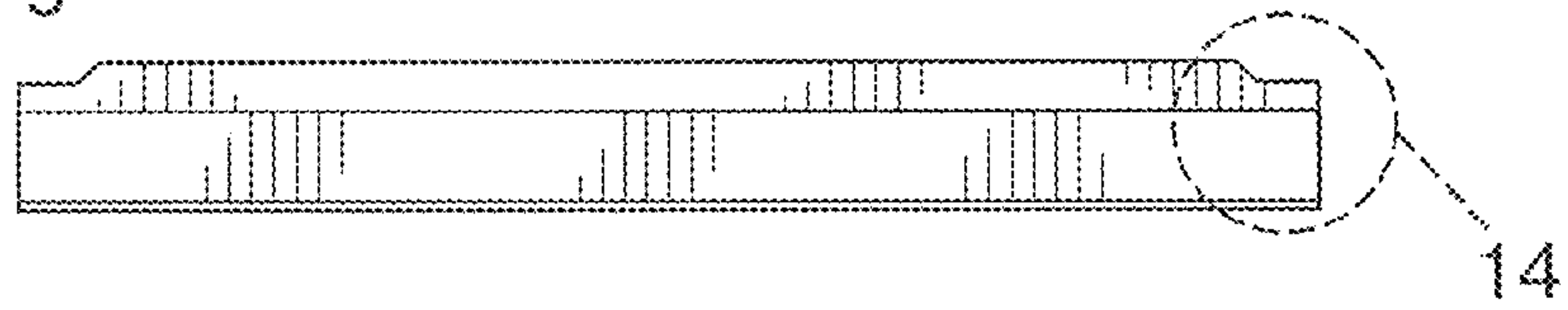


Fig.13

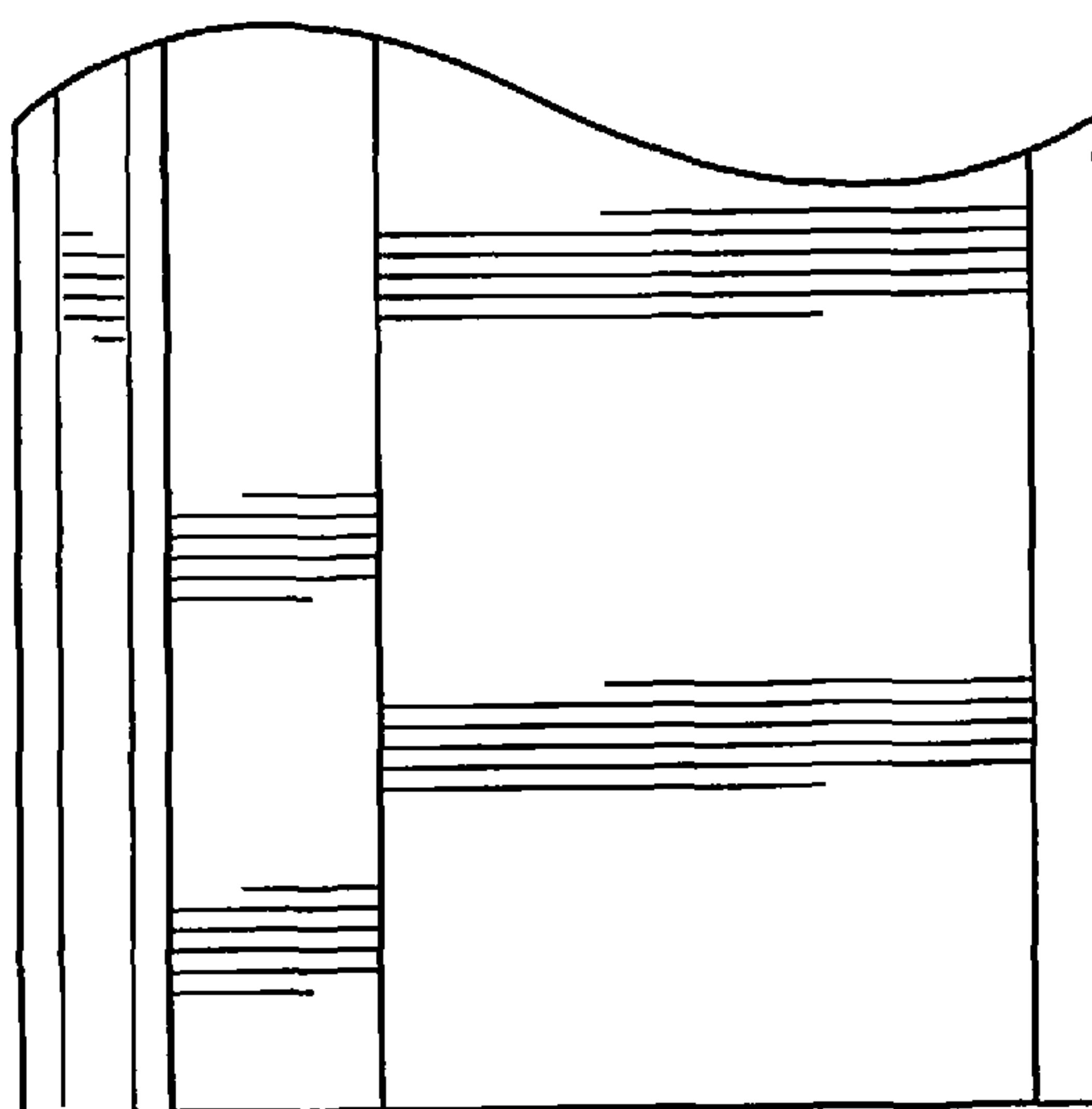


Fig.14

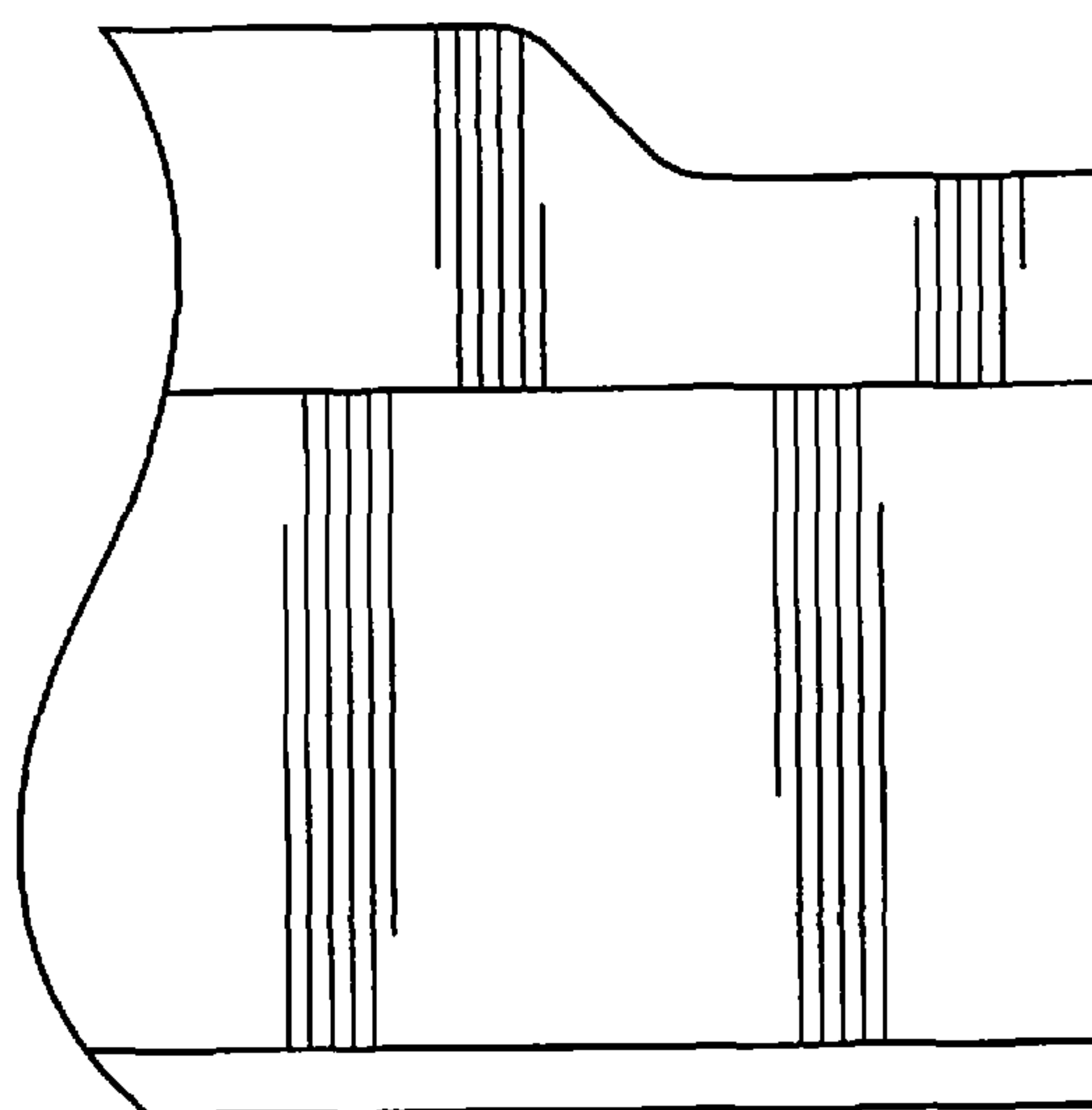


Fig.15

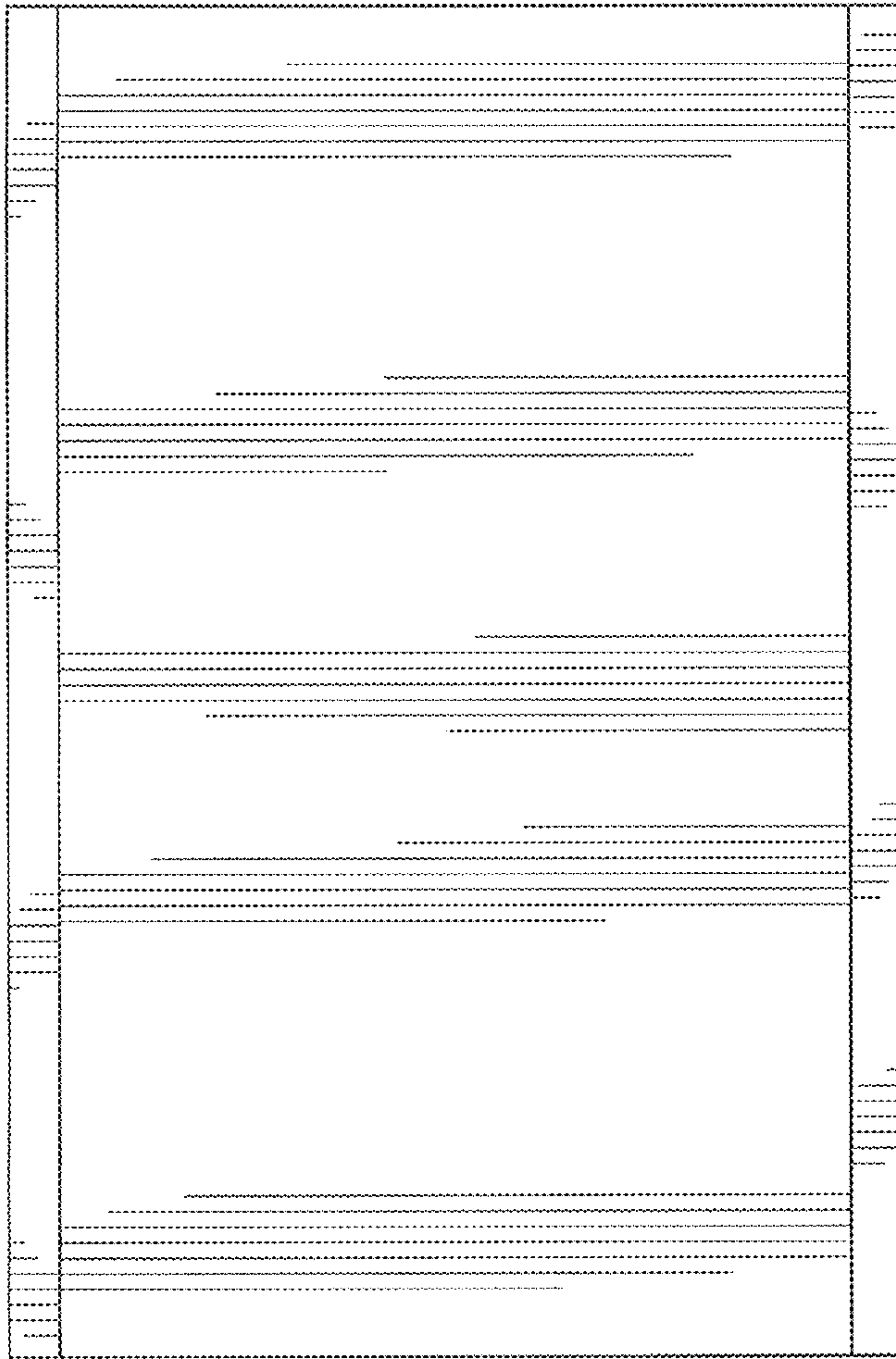


Fig.16

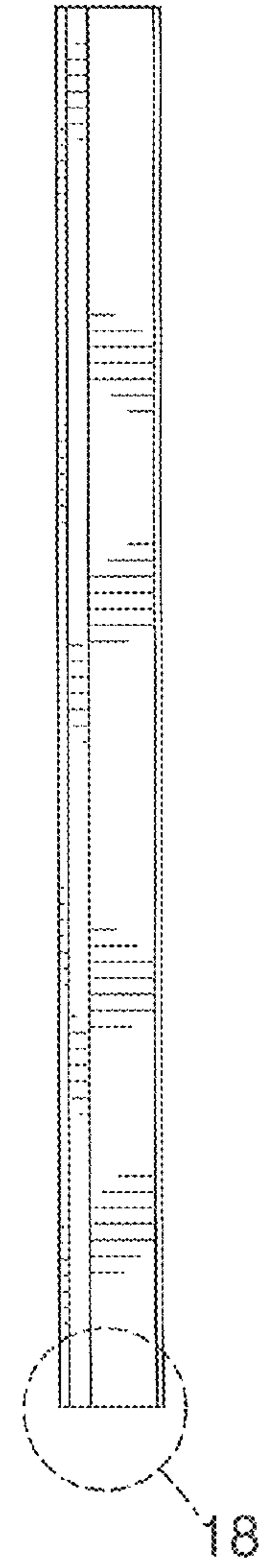


Fig.17

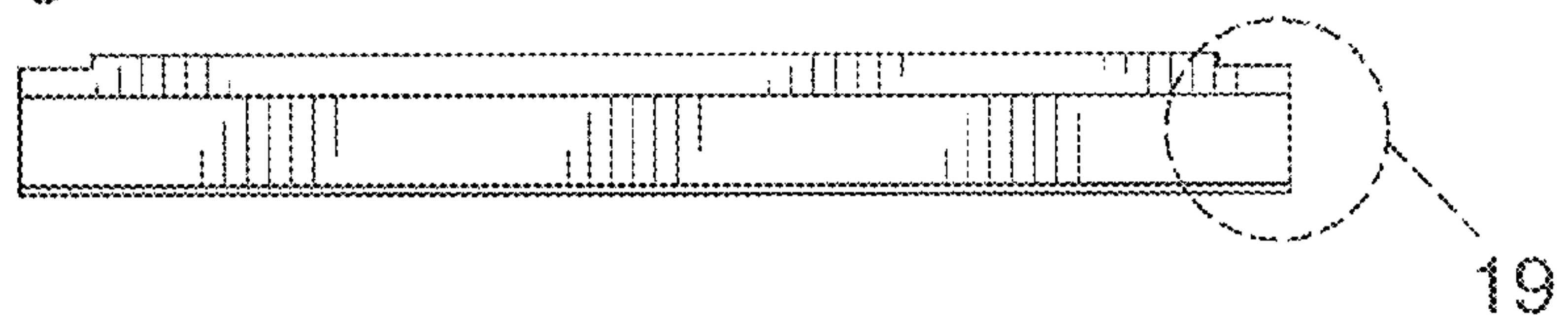


Fig.18

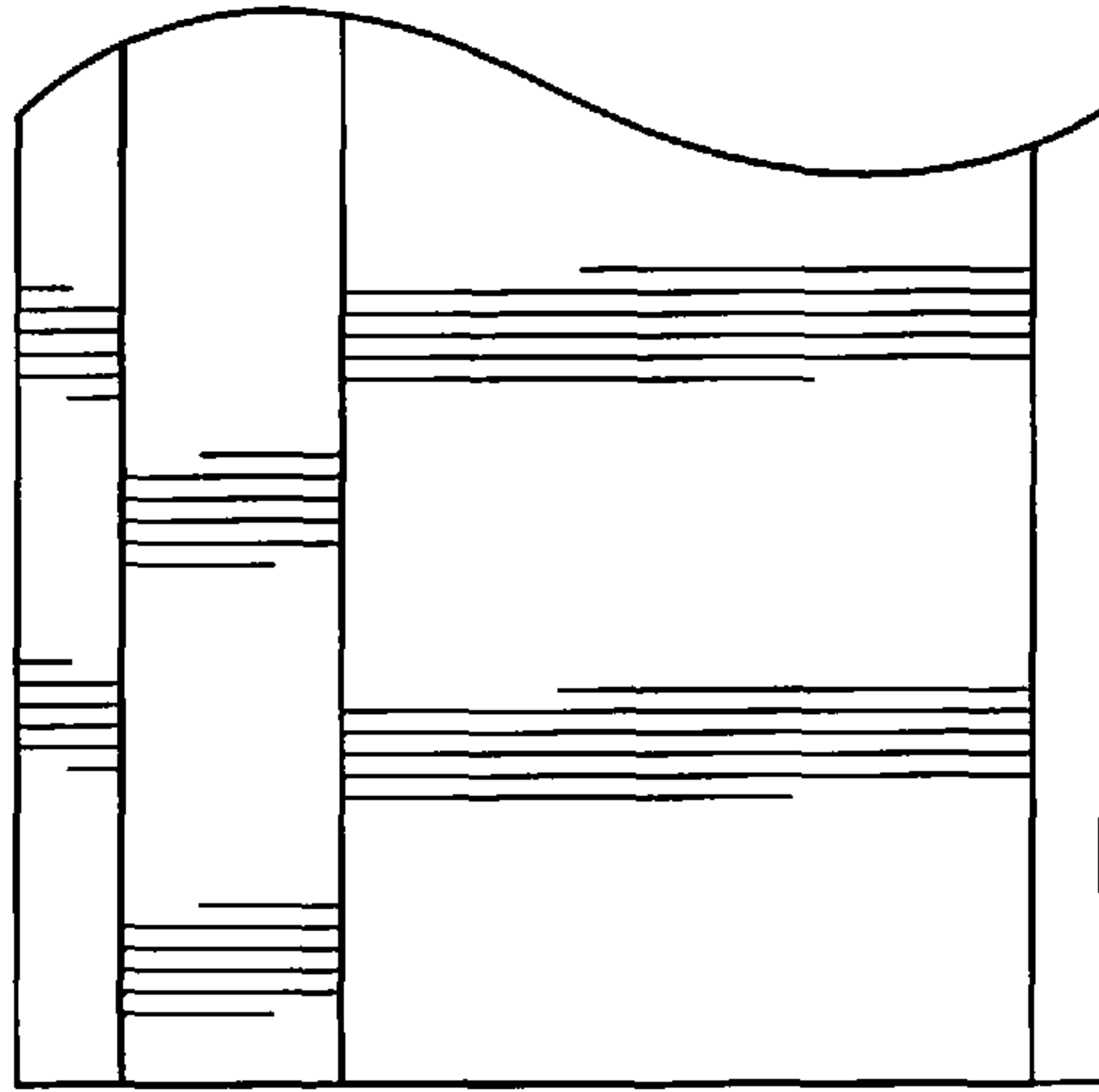


Fig.19

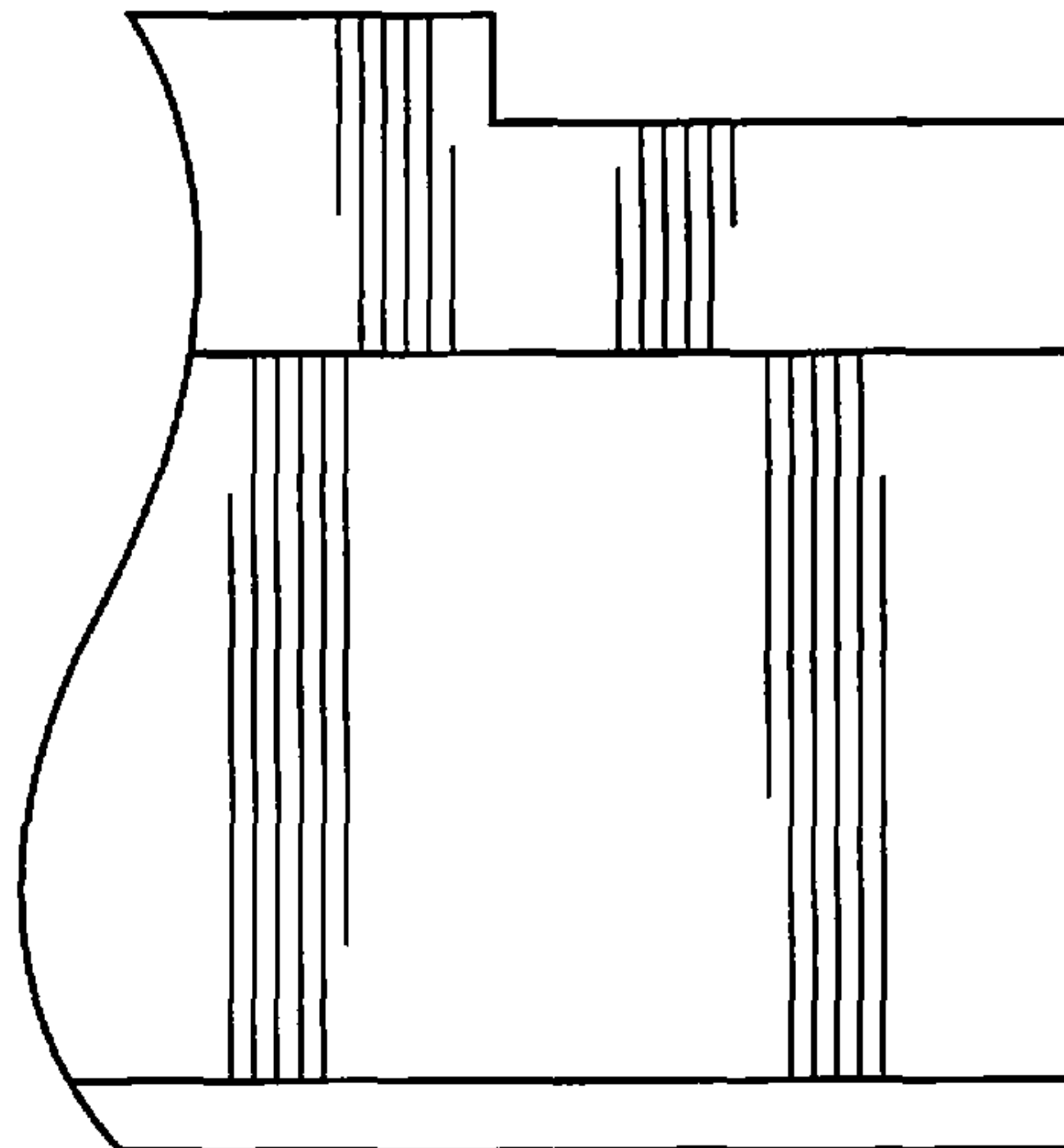


Fig.20

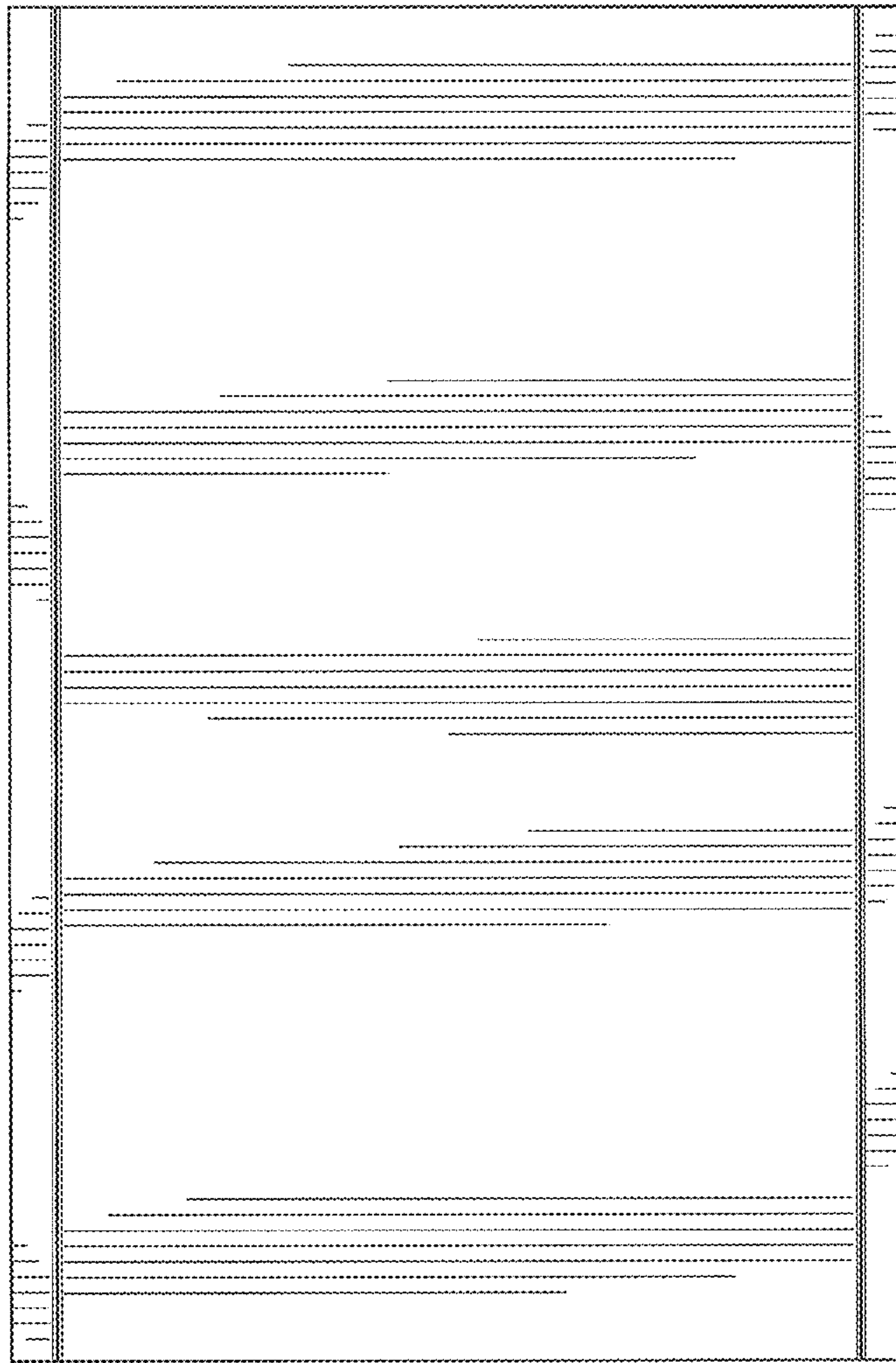


Fig.21

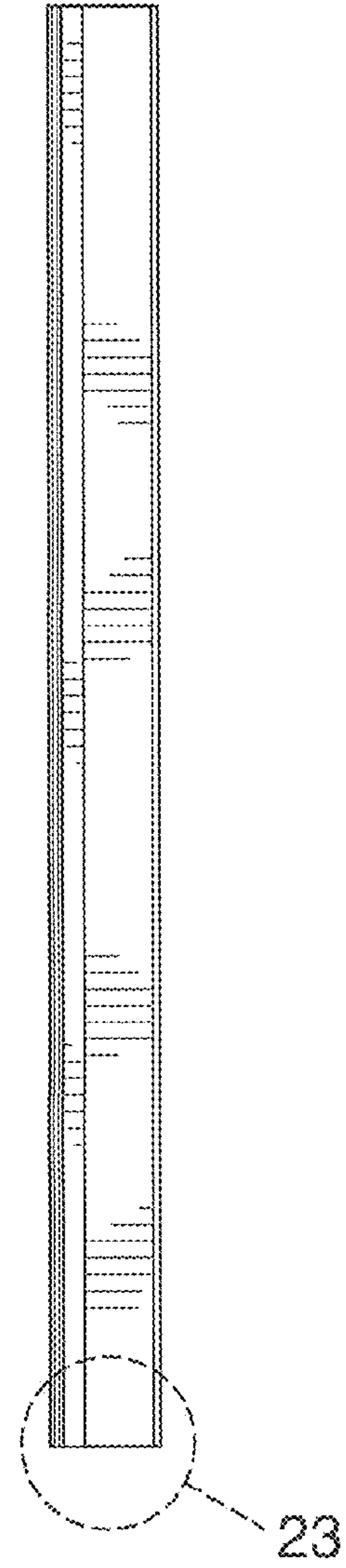


Fig.22

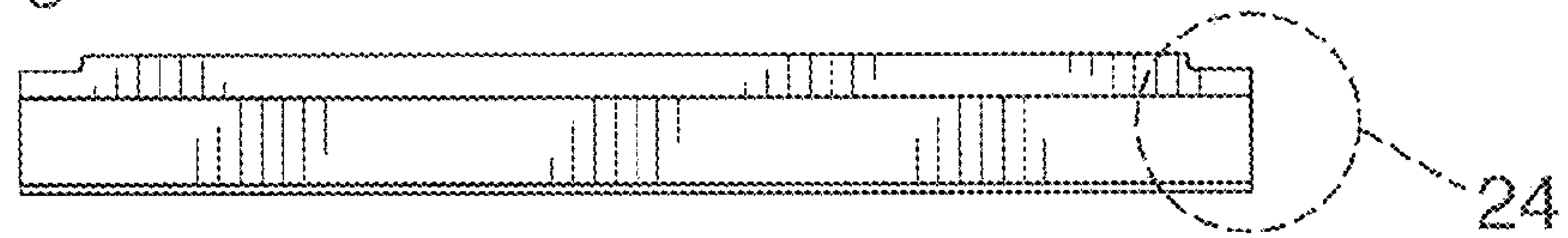


Fig.23

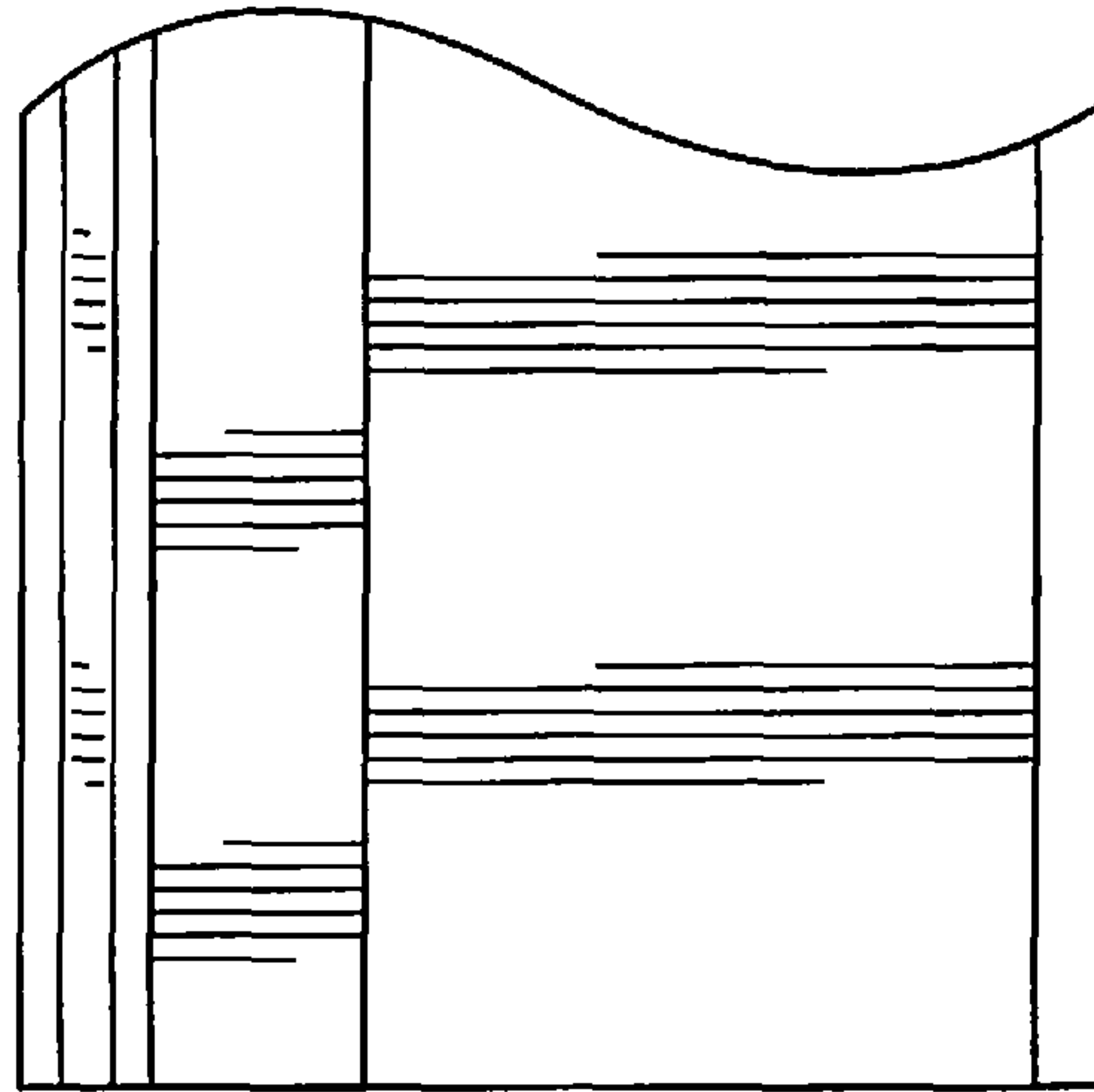


Fig.24

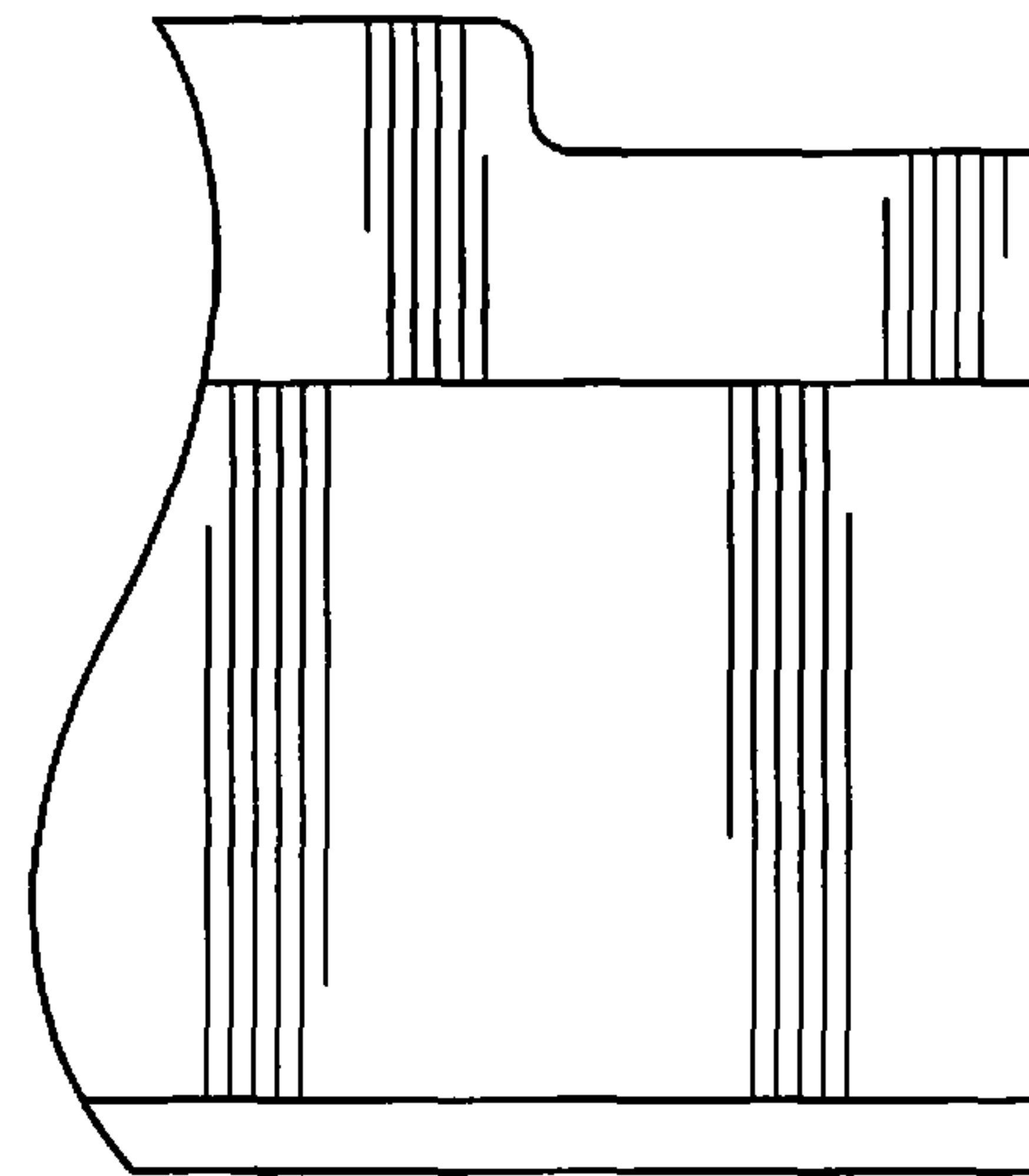


Fig.25

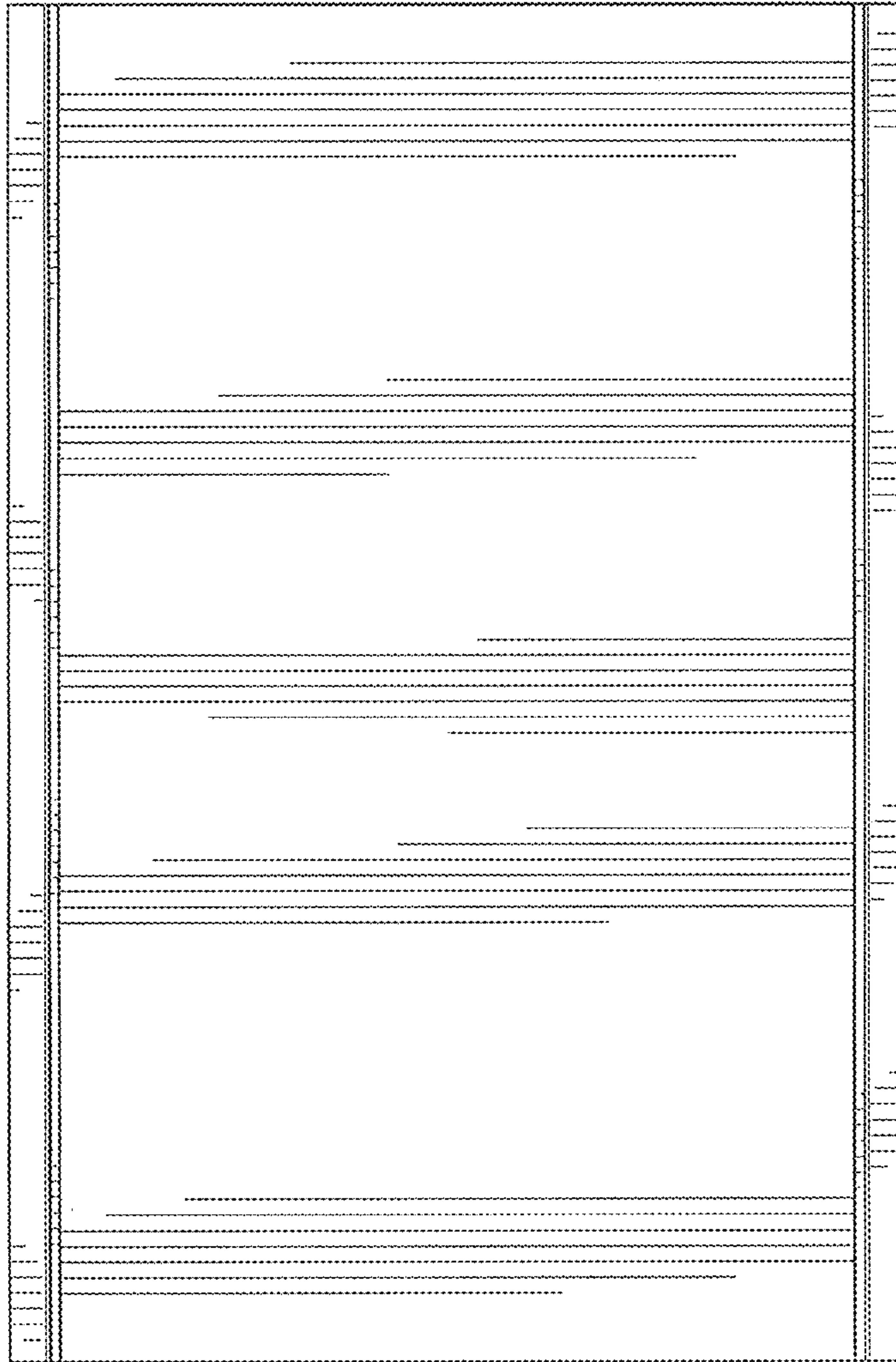


Fig.26

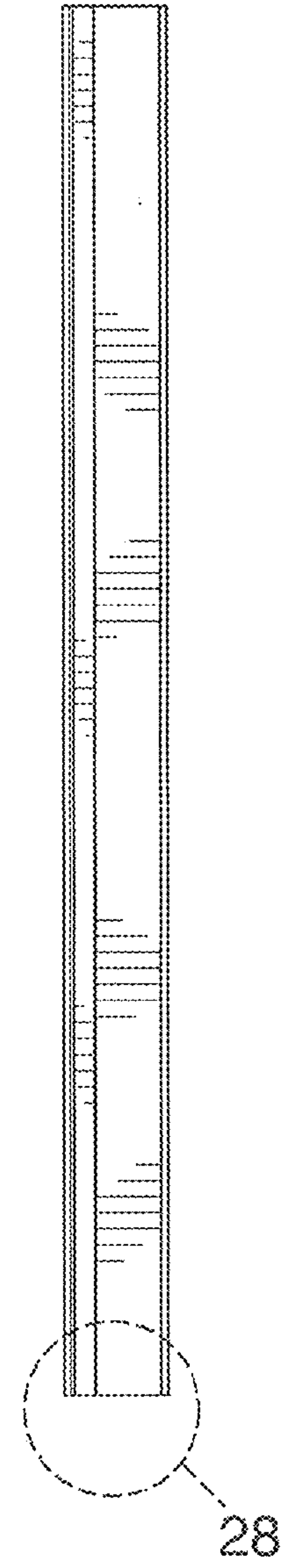


Fig.27

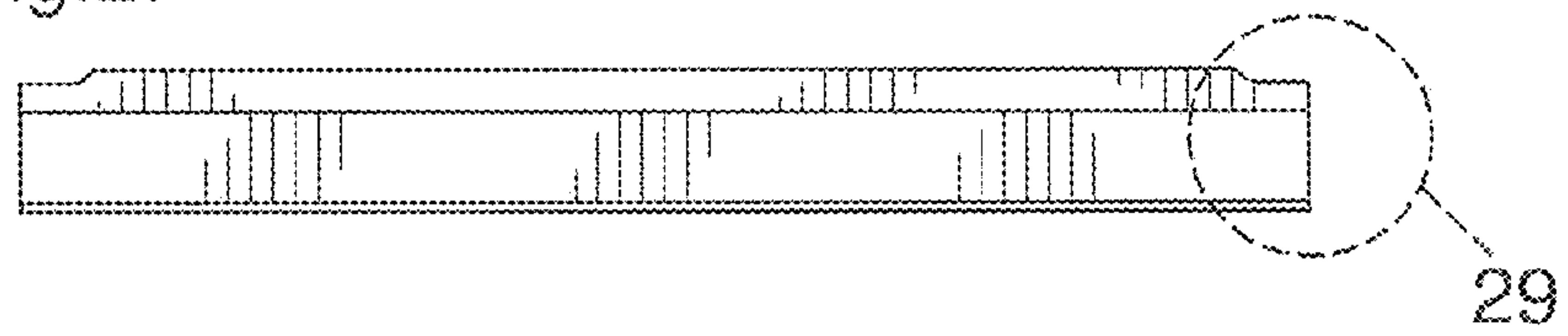


Fig.28

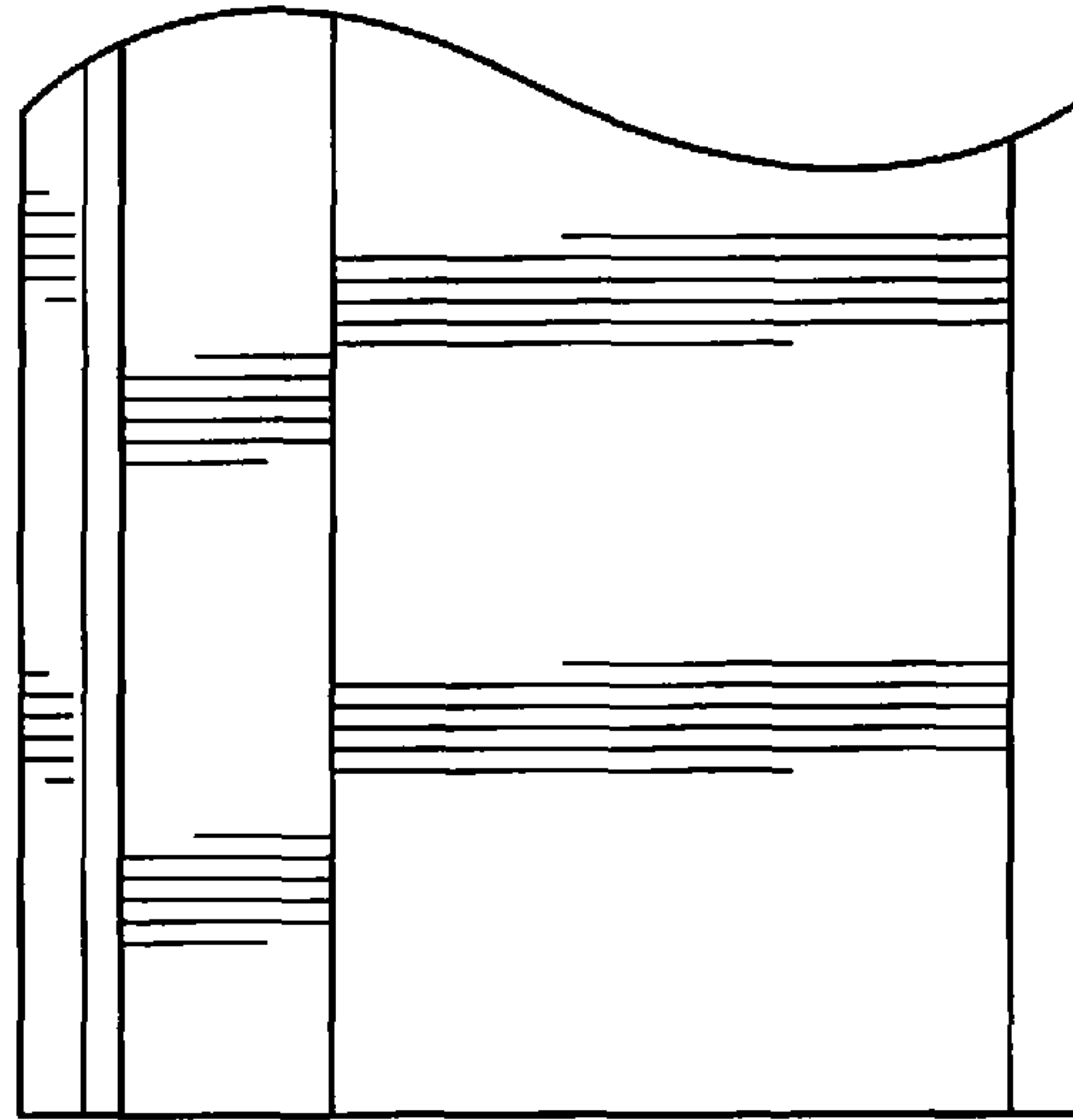


Fig.29

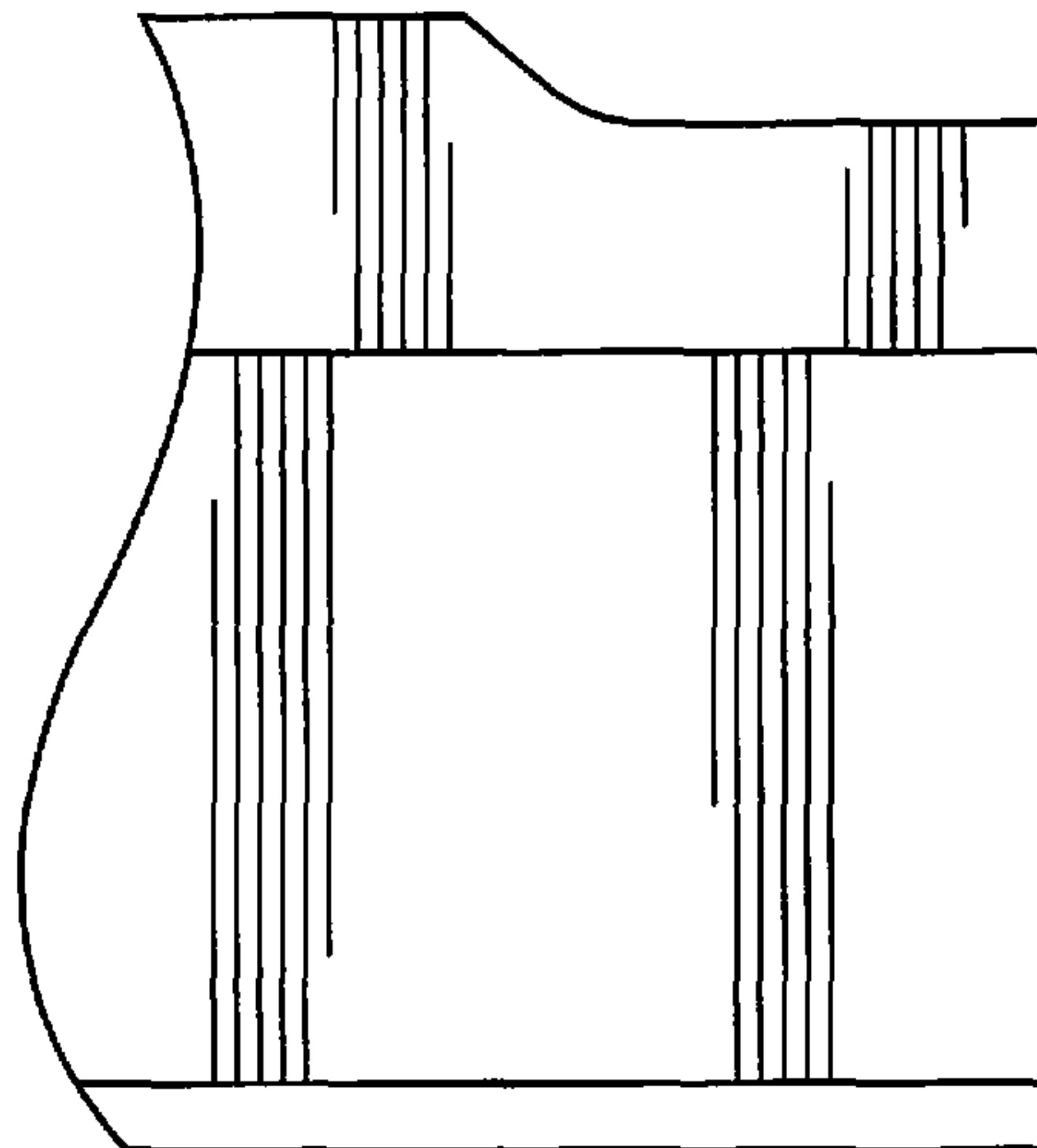


Fig.30

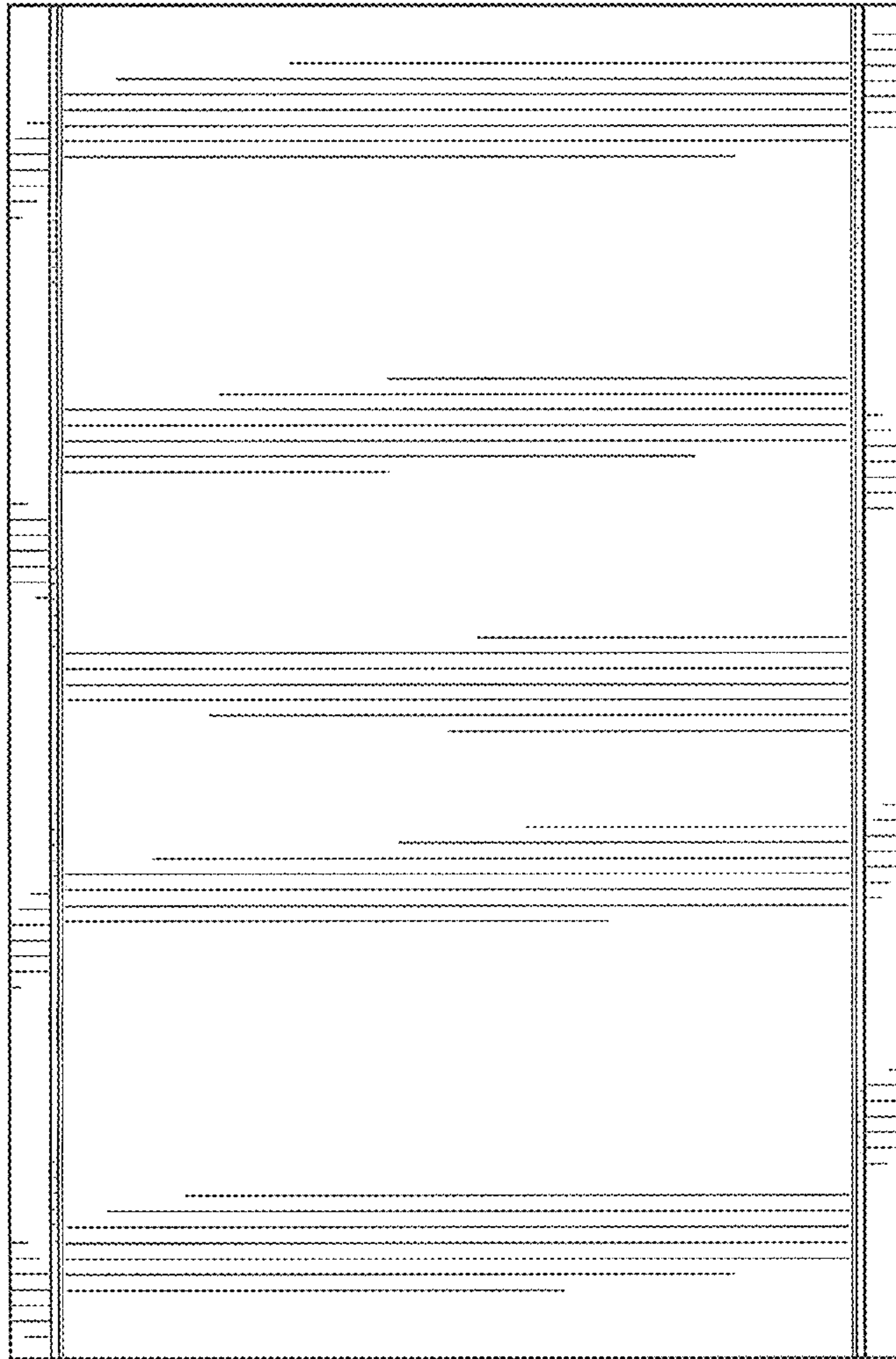


Fig.31

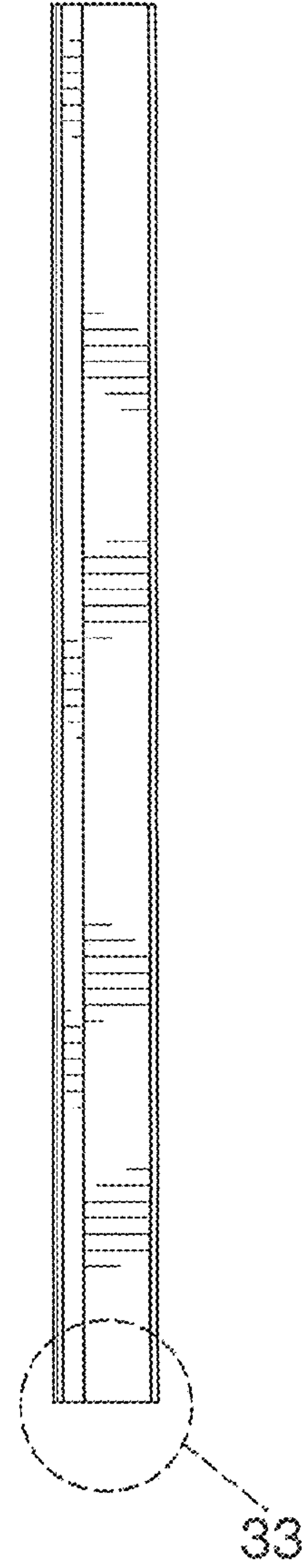


Fig.32

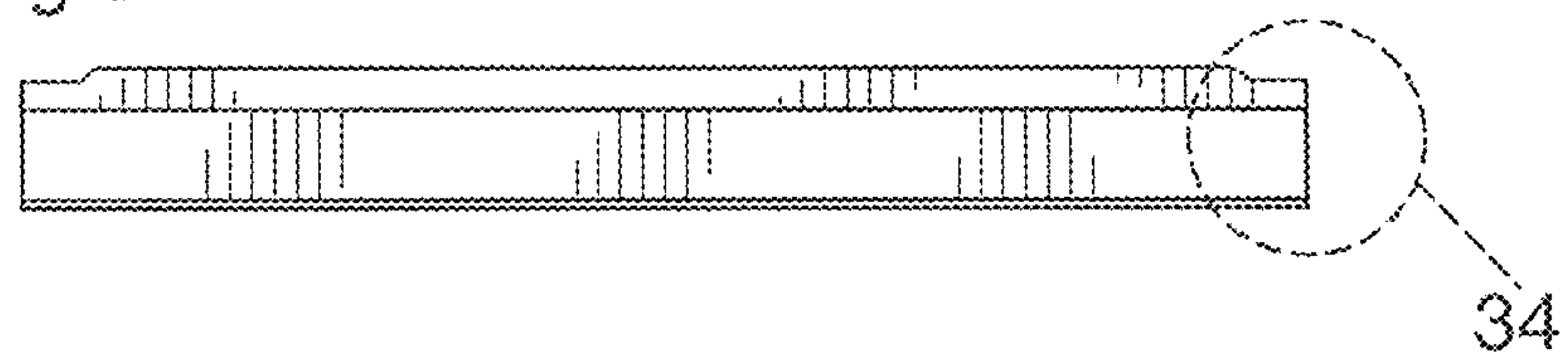


Fig.33

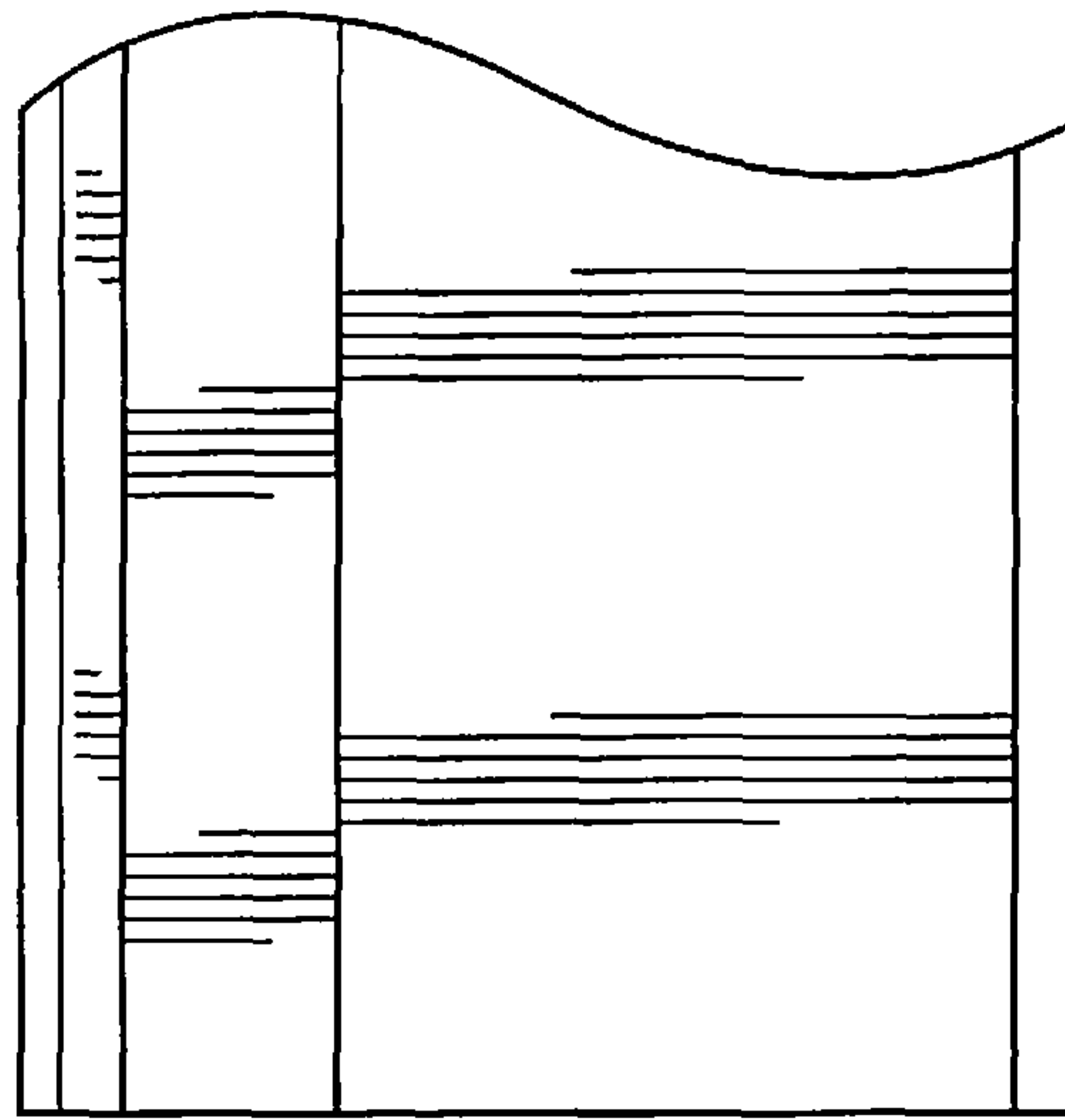


Fig.34

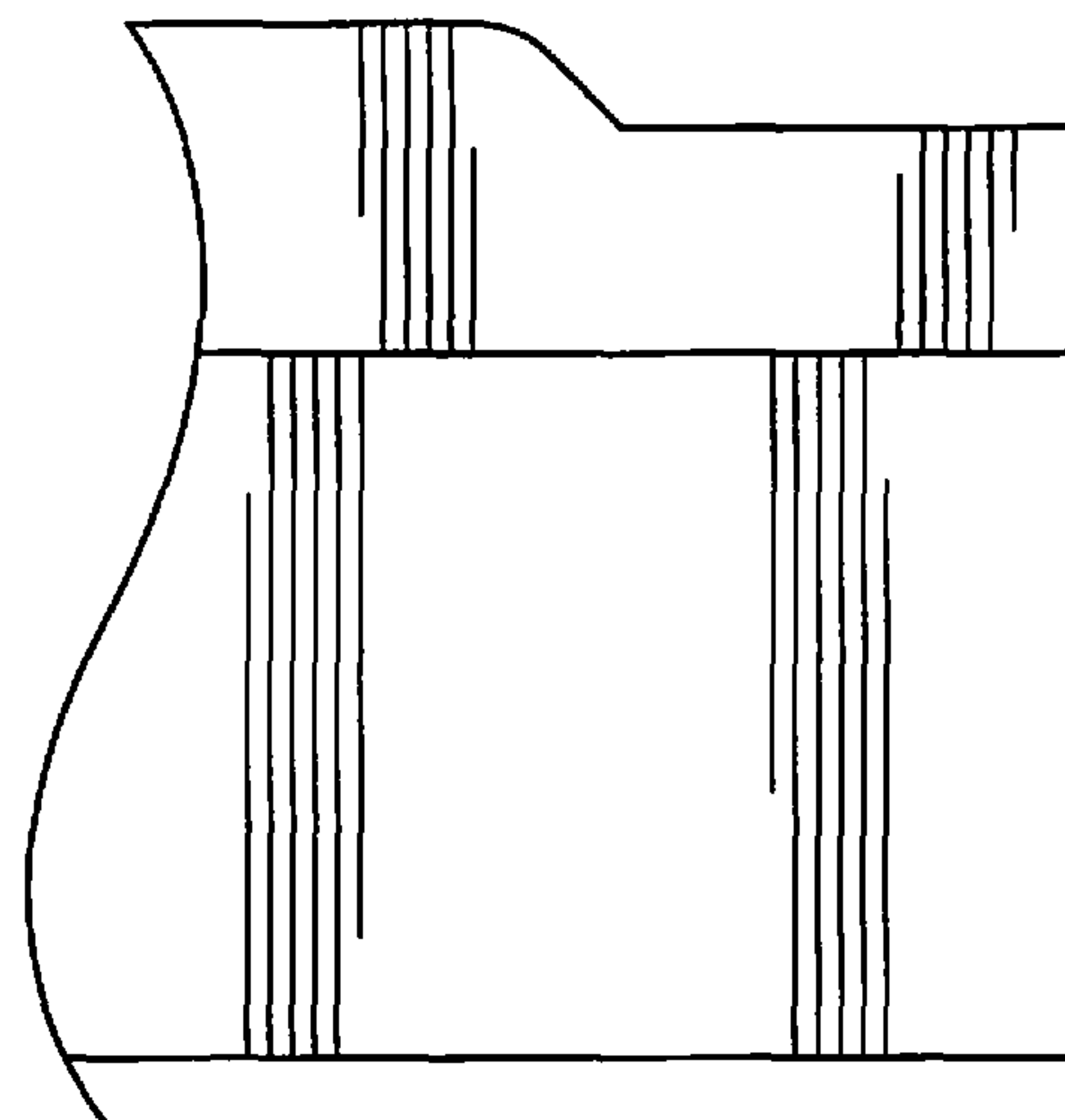


Fig.35

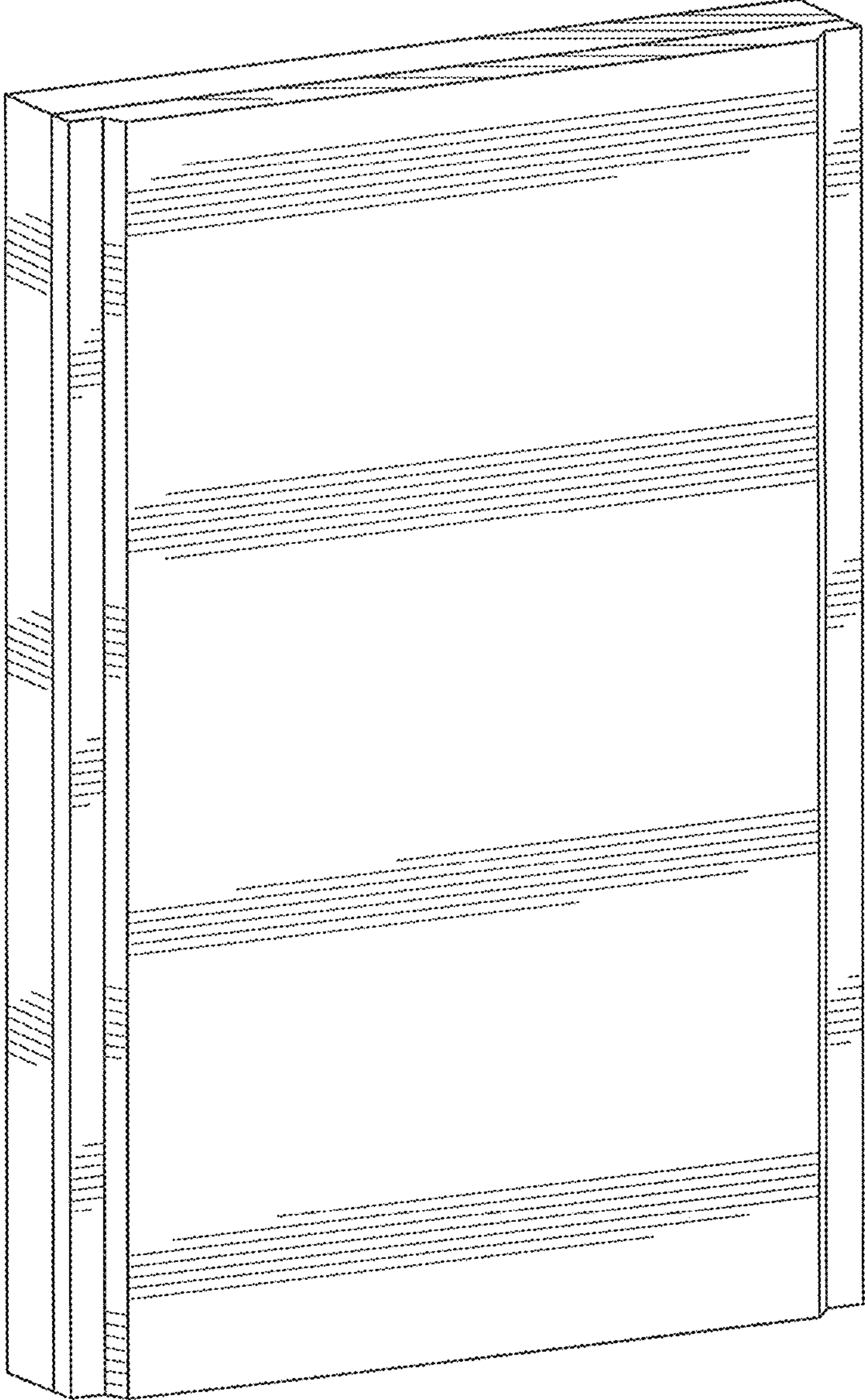


Fig.36

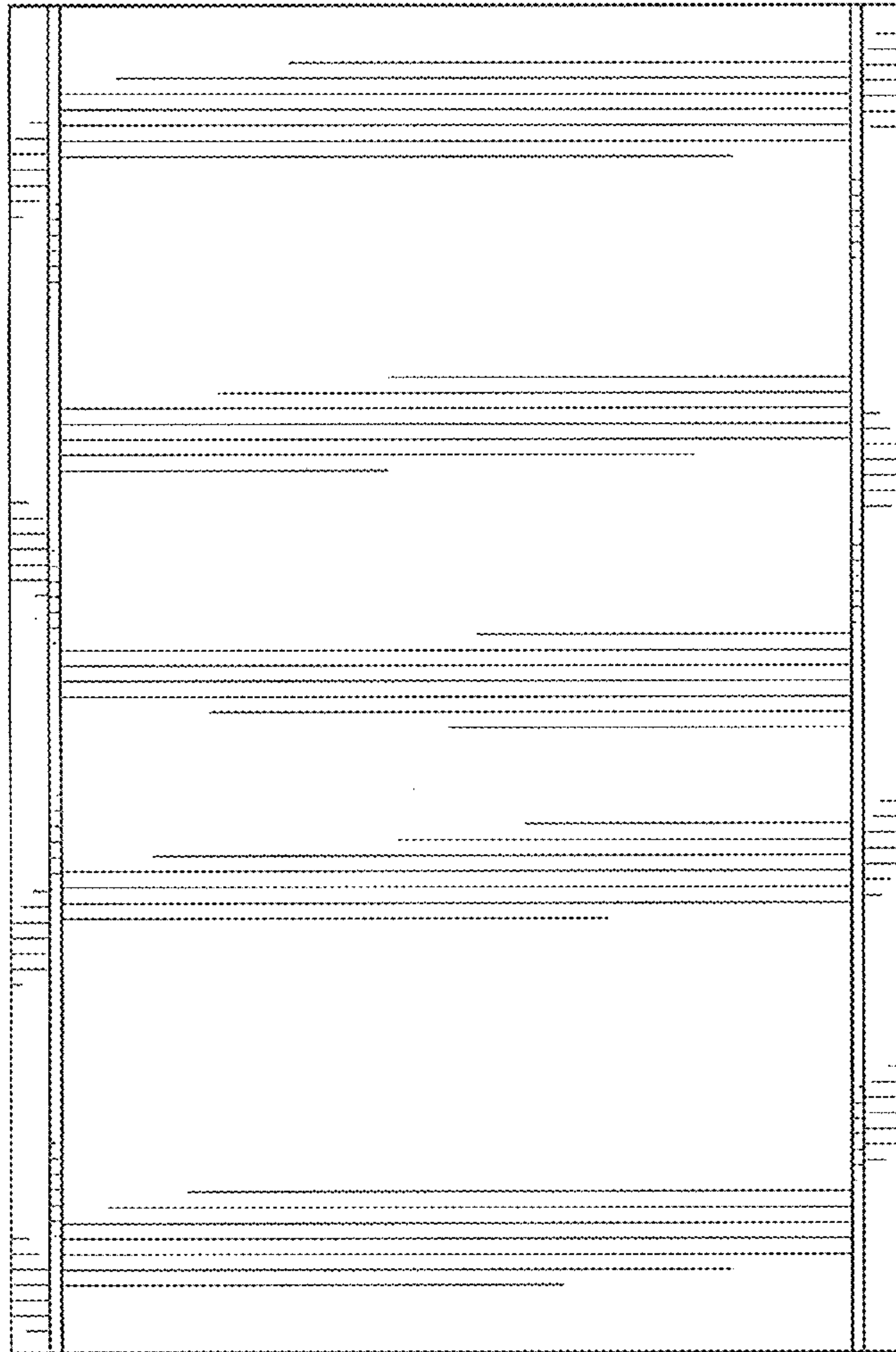


Fig.37

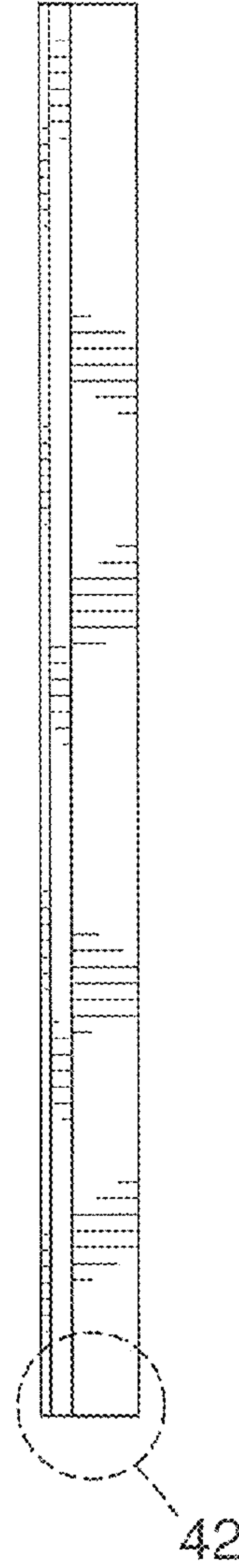


Fig.38

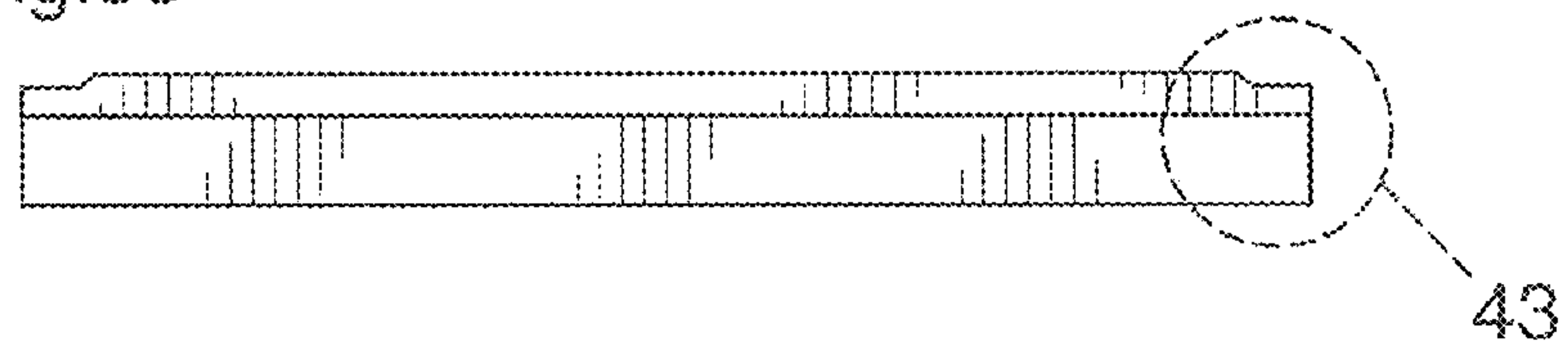


Fig.39

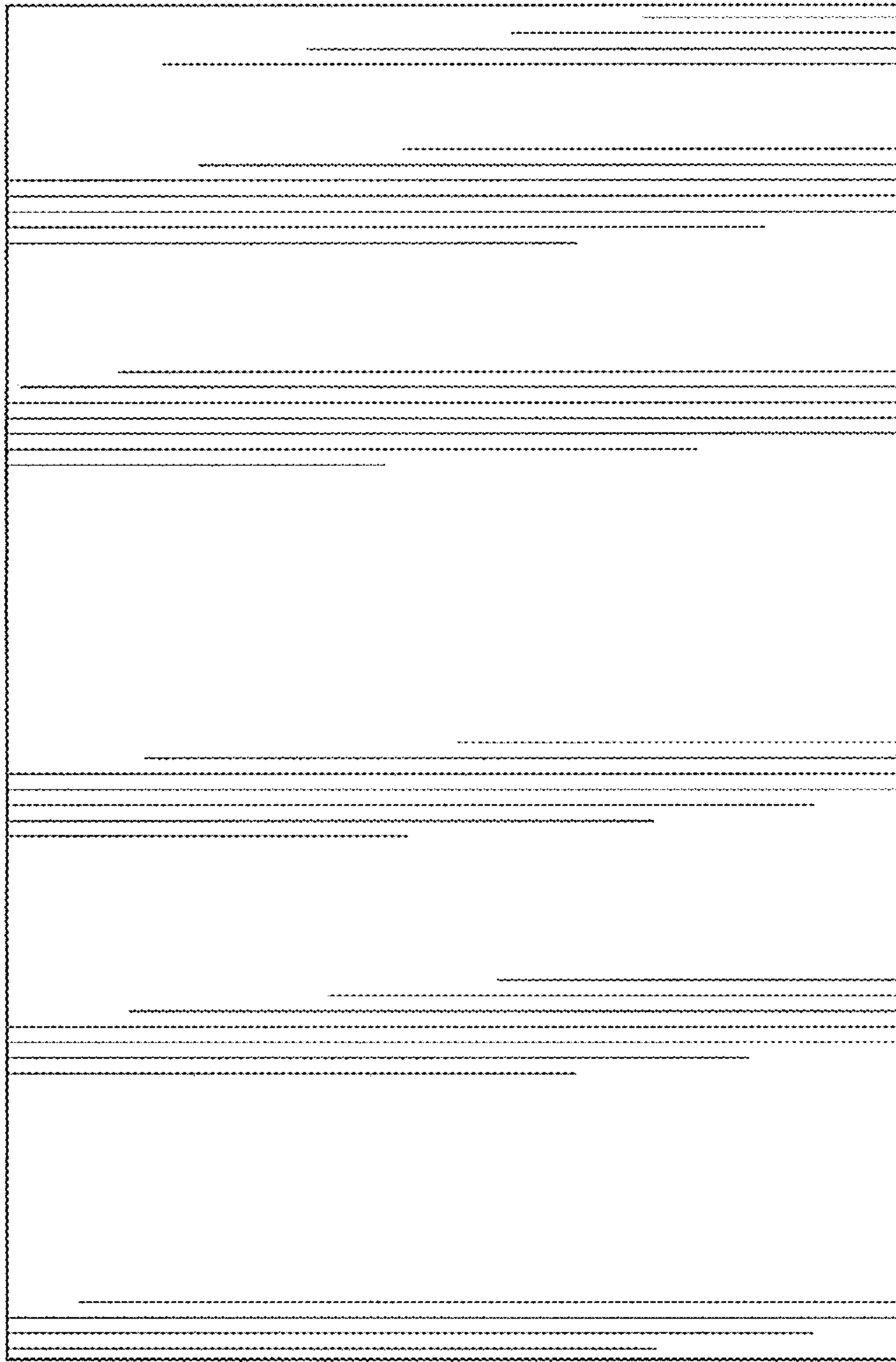


Fig.40



Fig.41

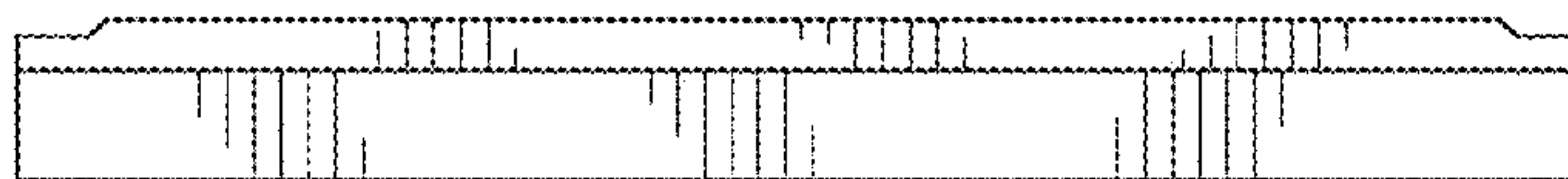


Fig.42

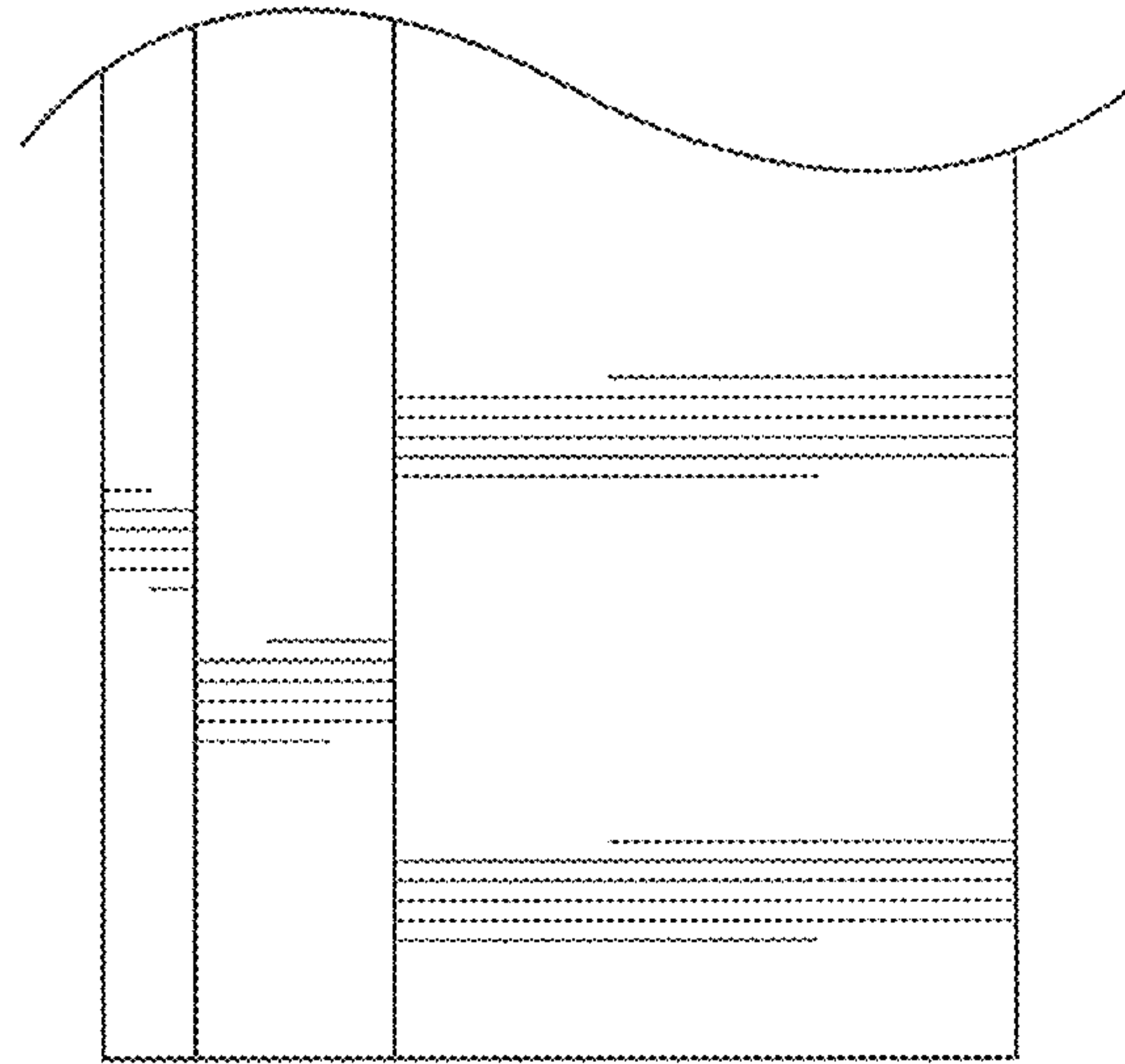


Fig.43

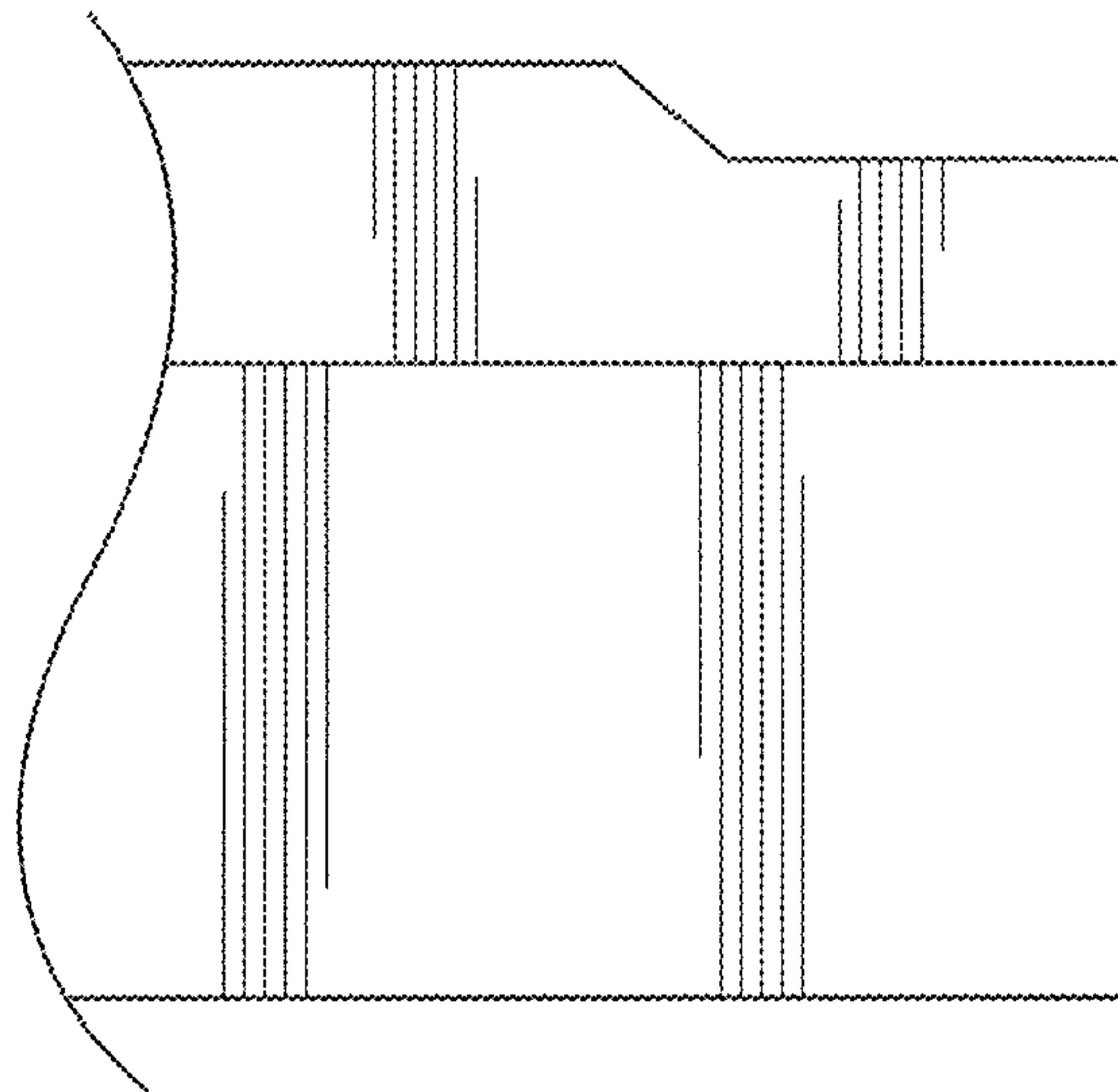


Fig.44

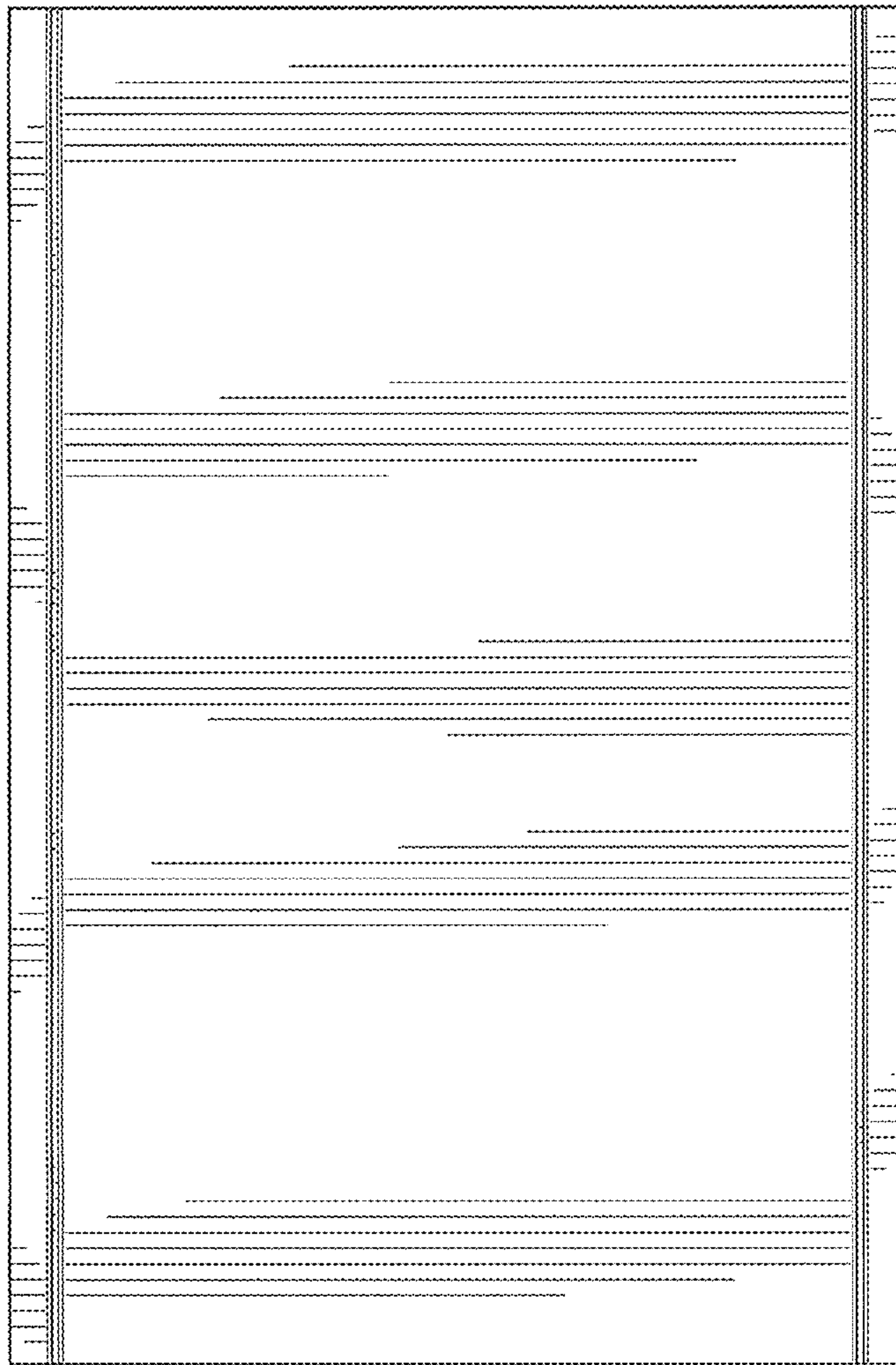


Fig.45

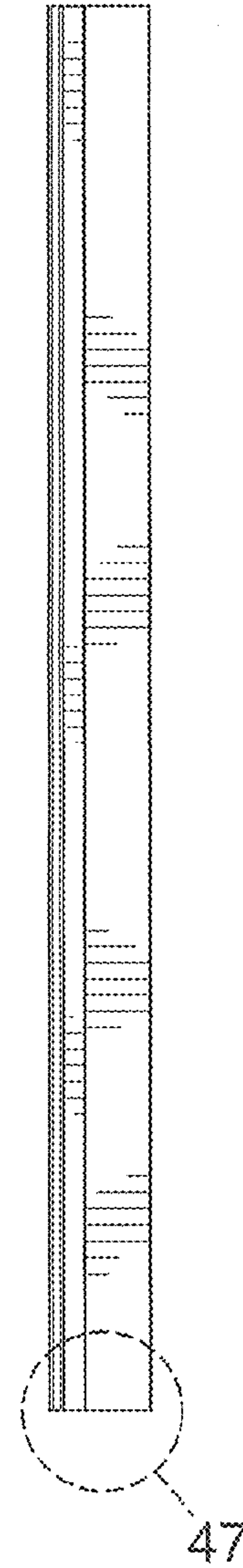


Fig.46

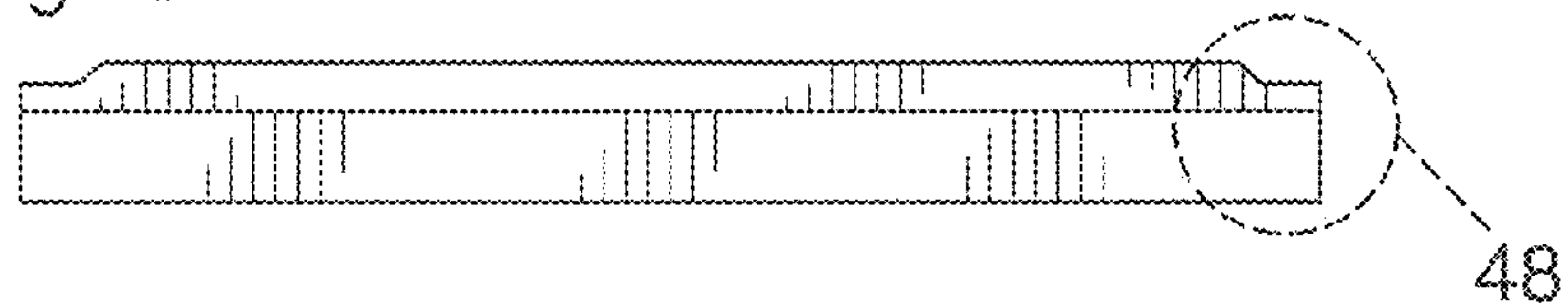


Fig.47

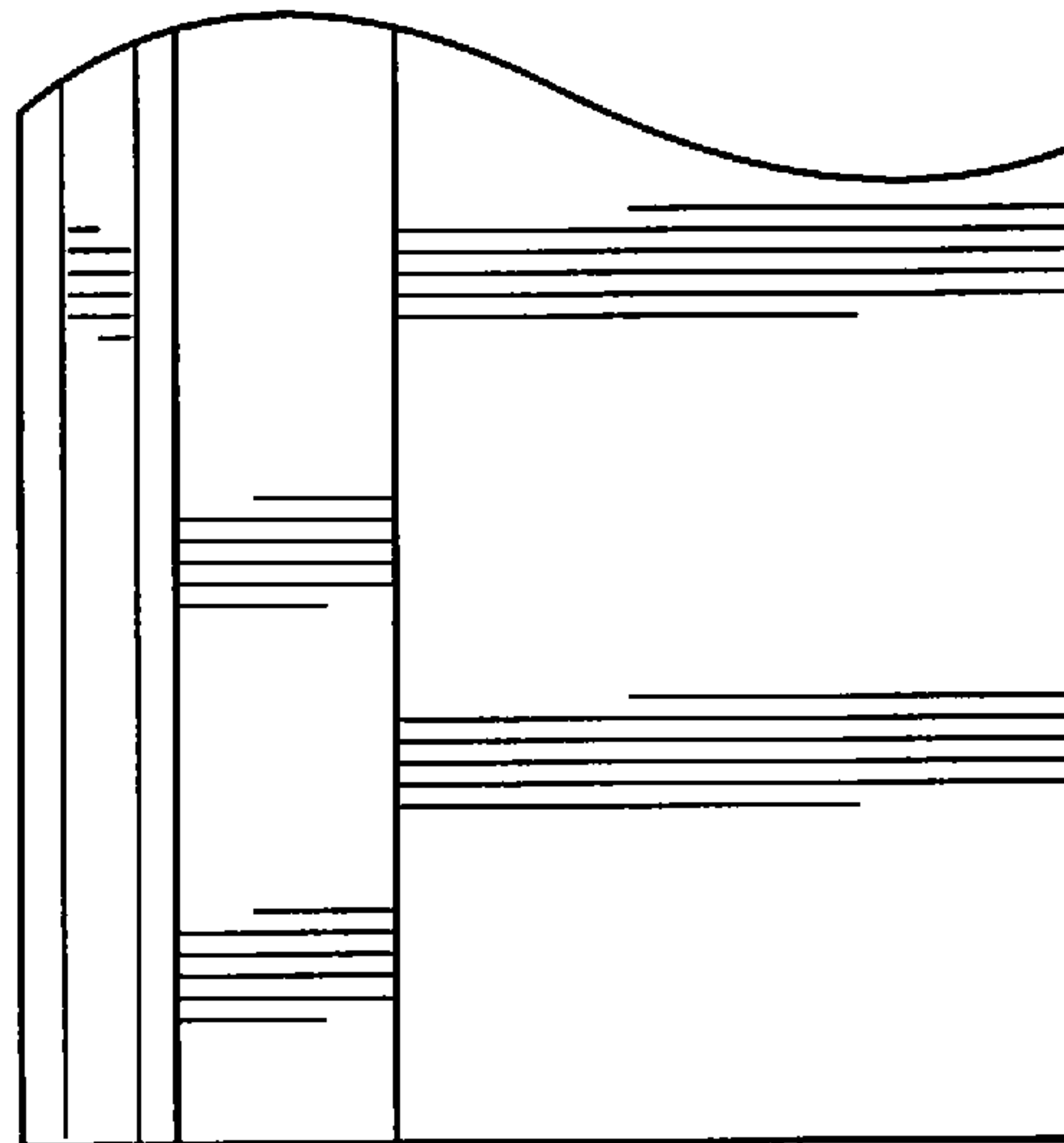


Fig.48

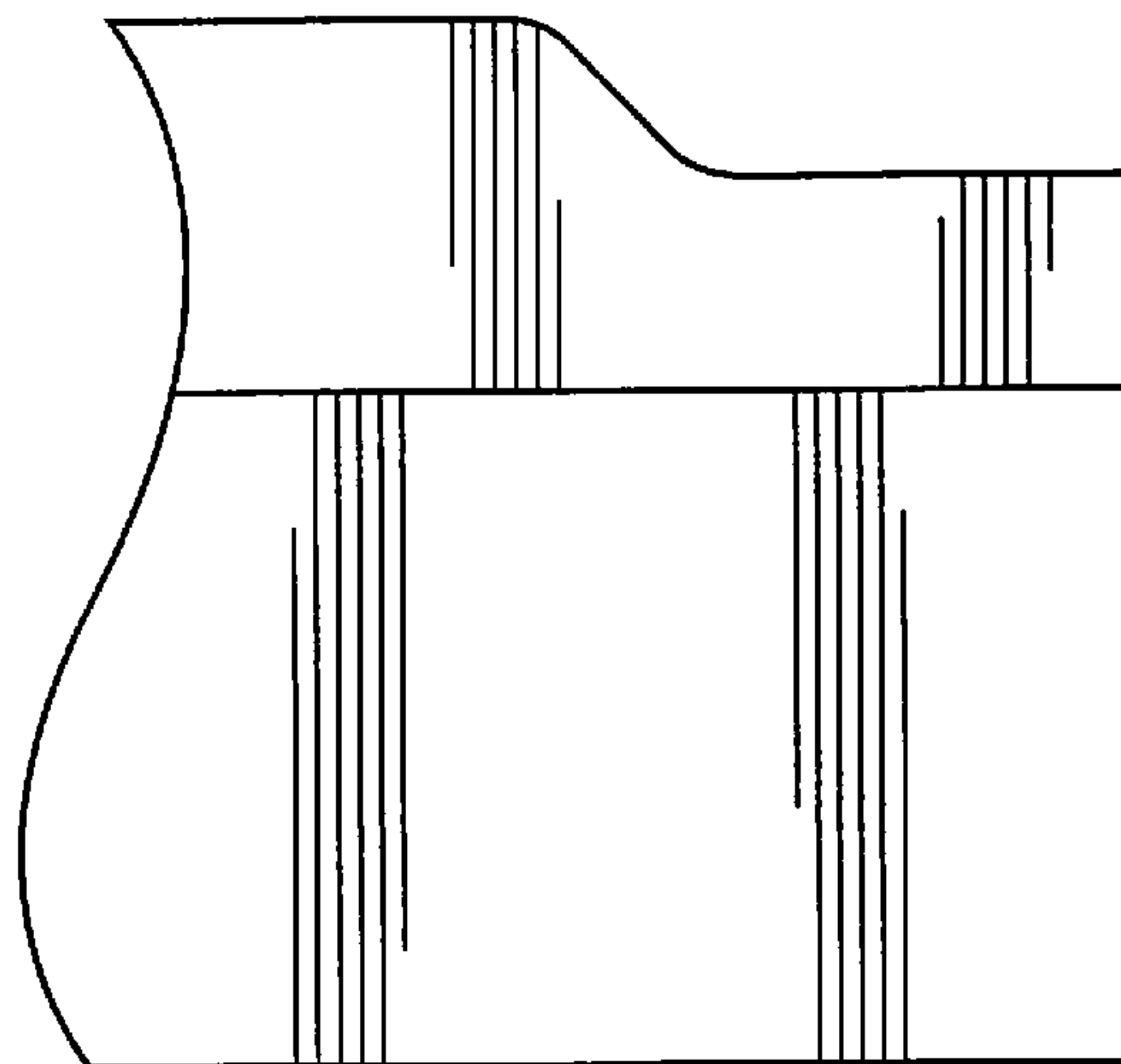


Fig.49

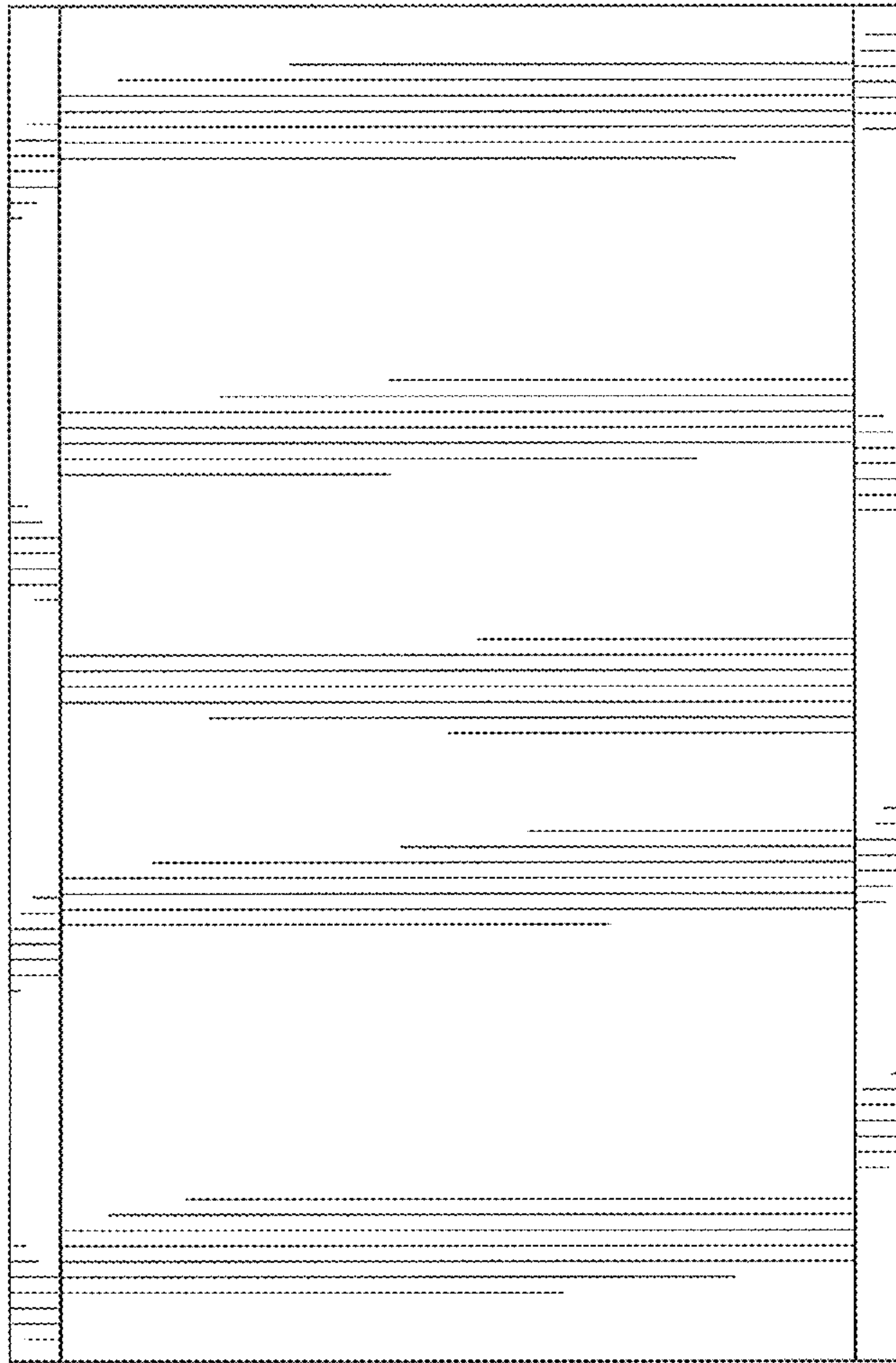


Fig.50

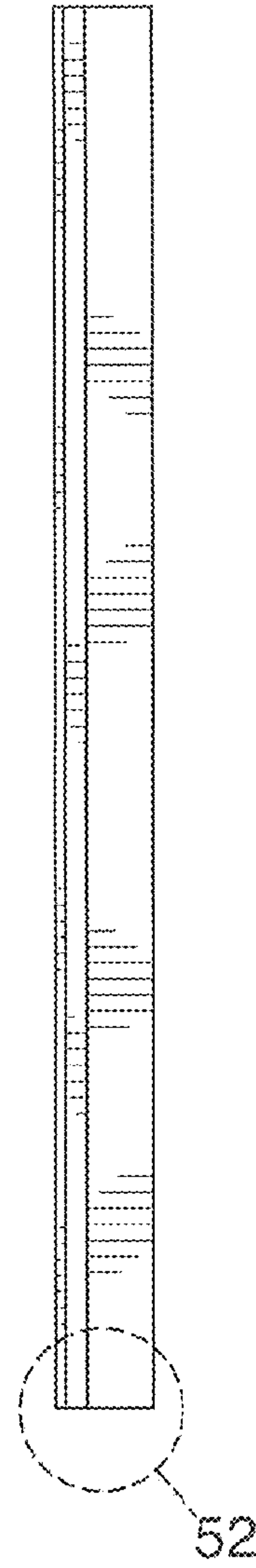


Fig.51

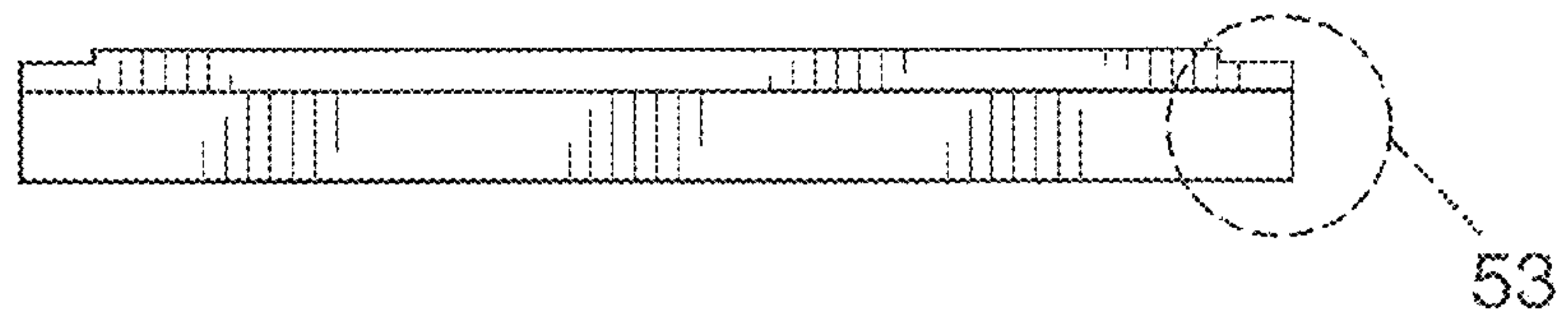


Fig.52

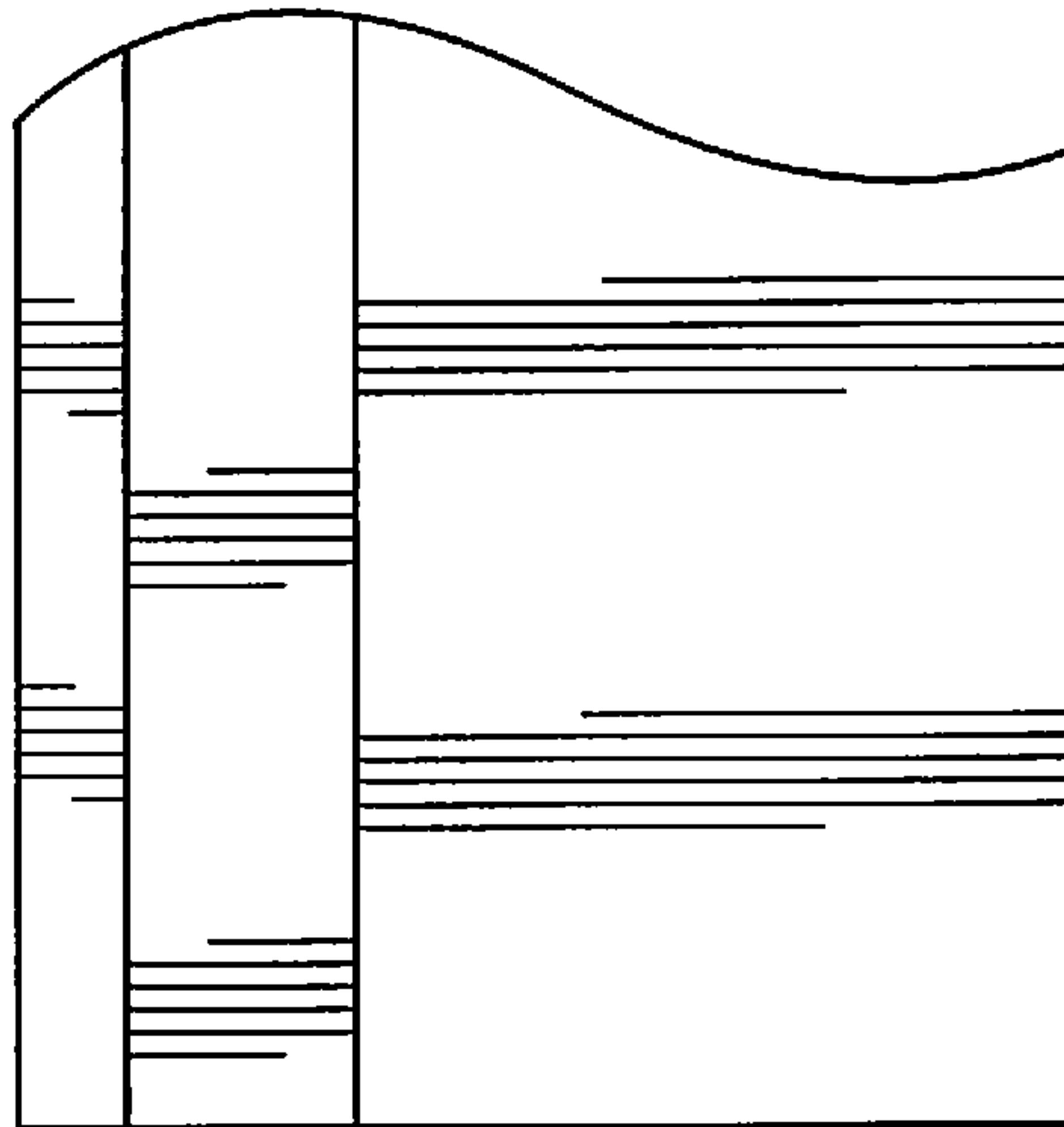


Fig.53

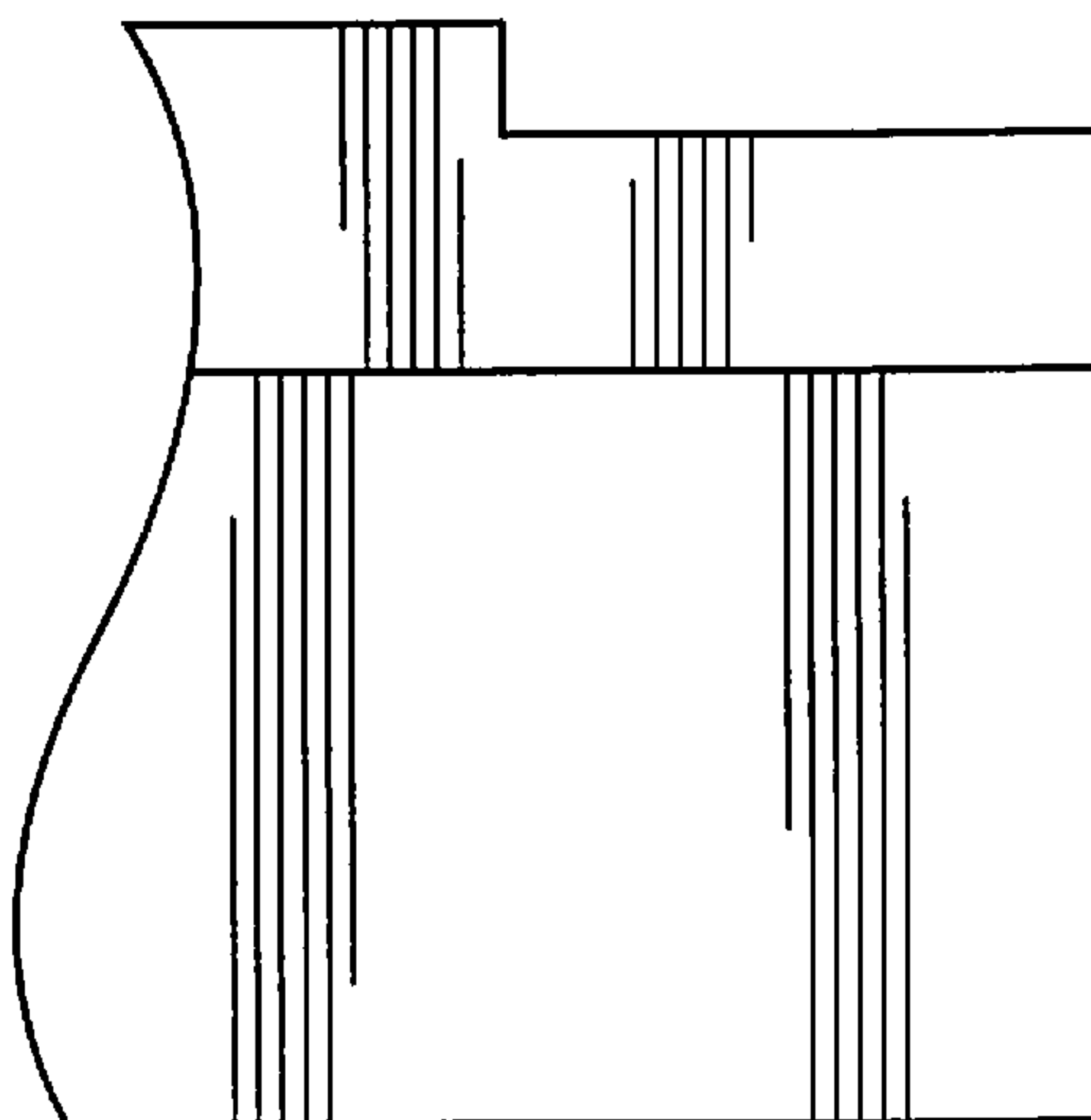


Fig.54

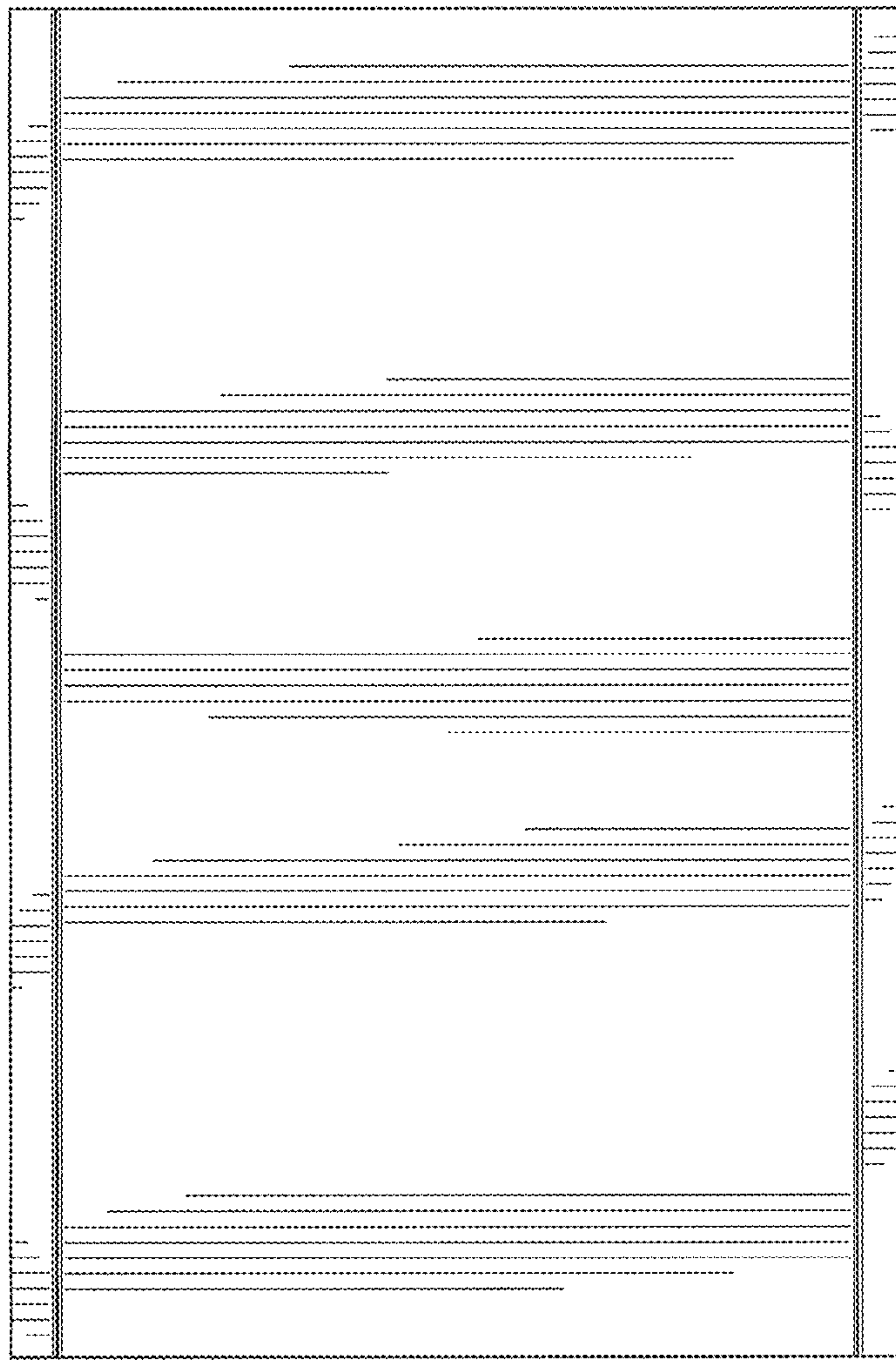


Fig.55

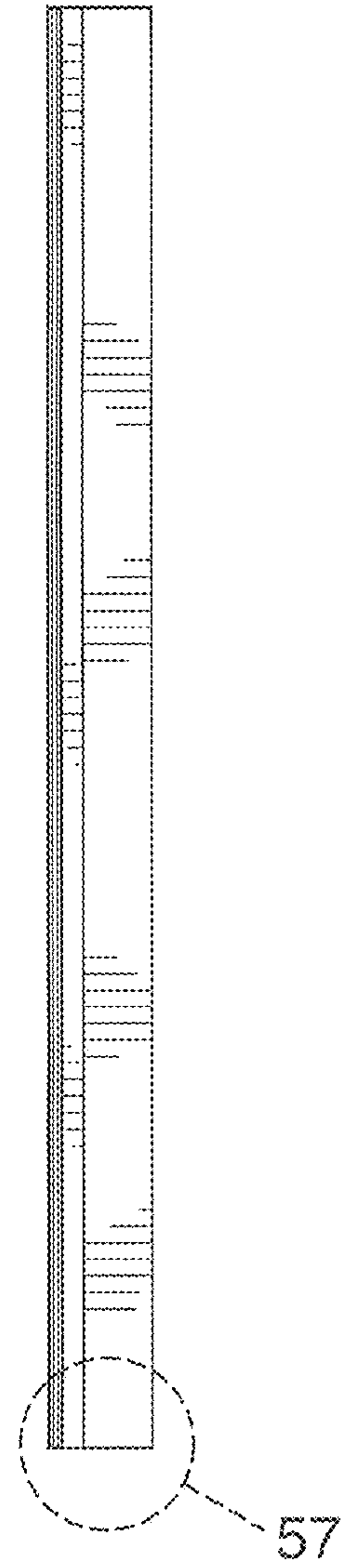


Fig.56

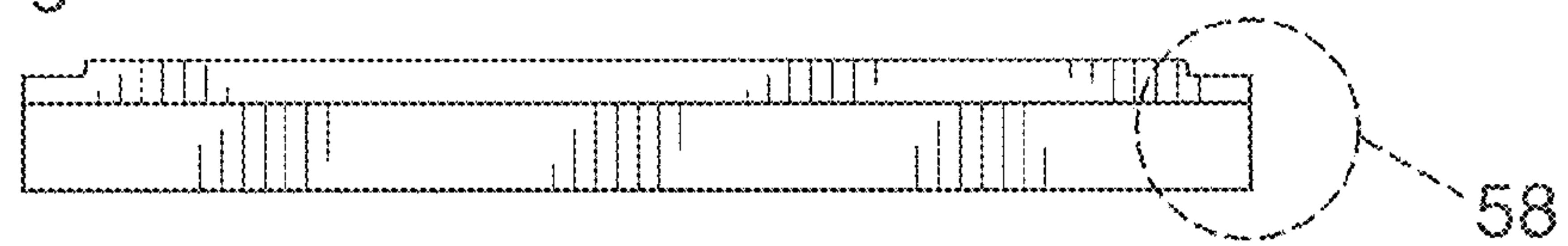


Fig.57

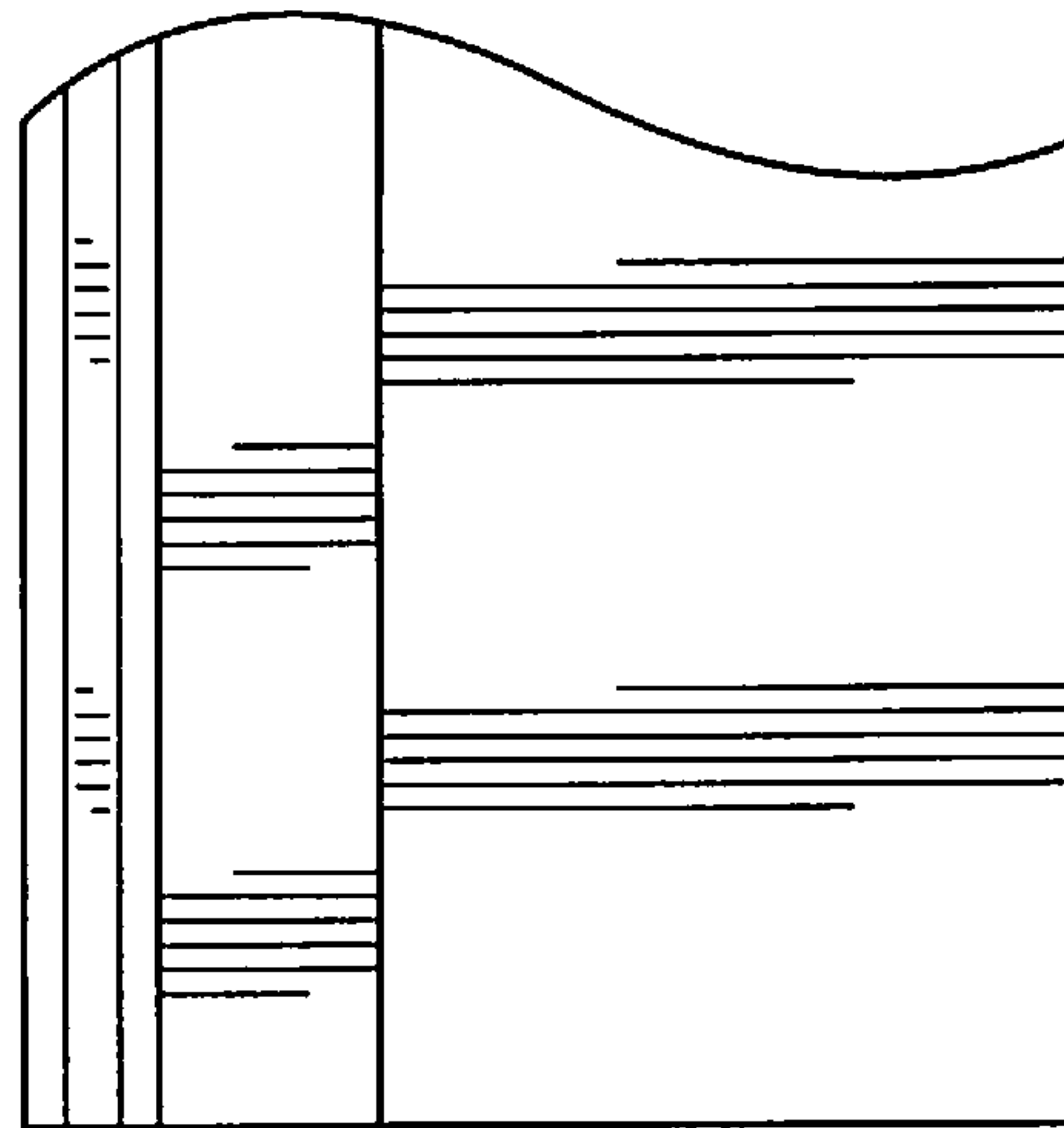


Fig.58

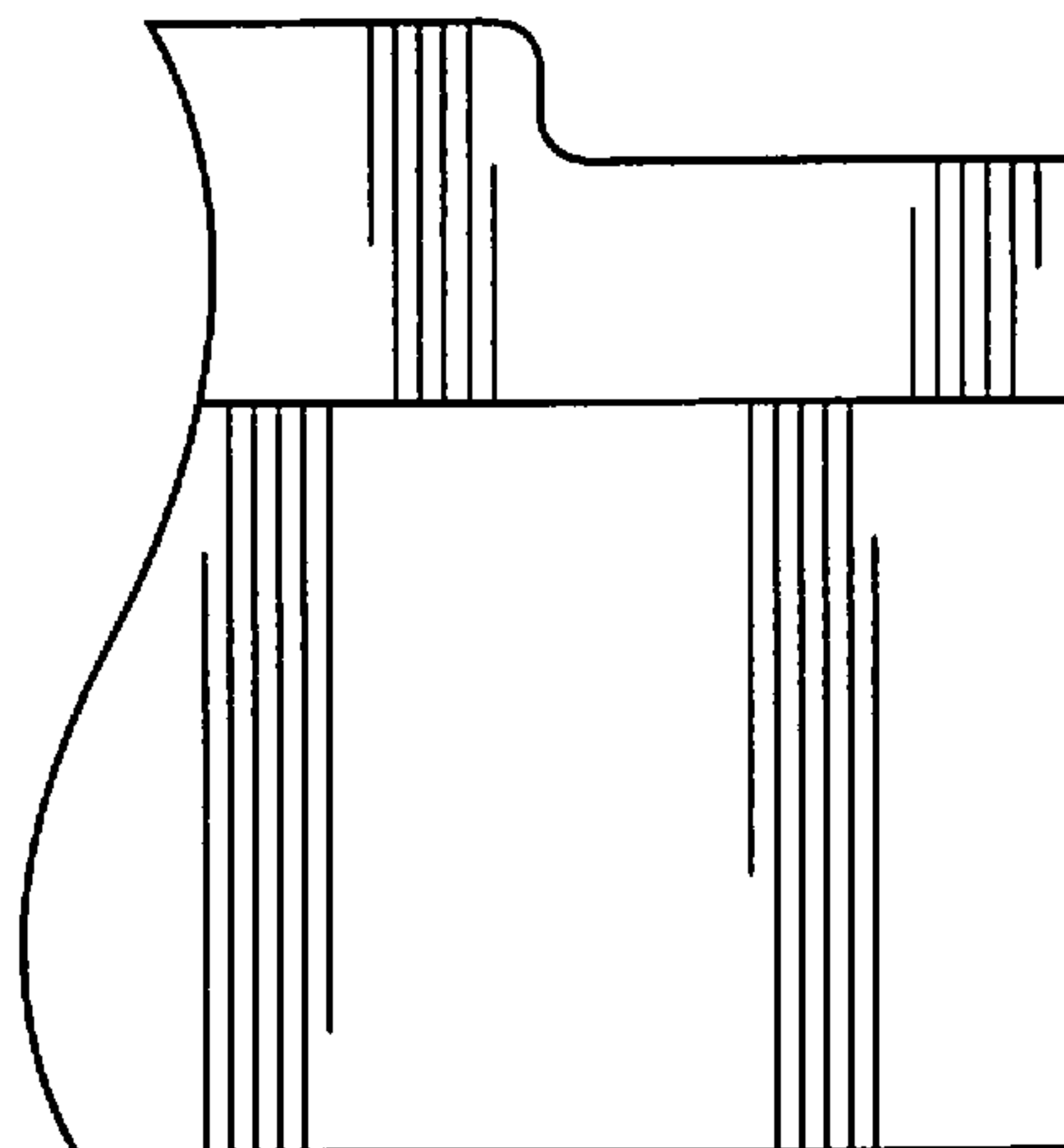


Fig.59

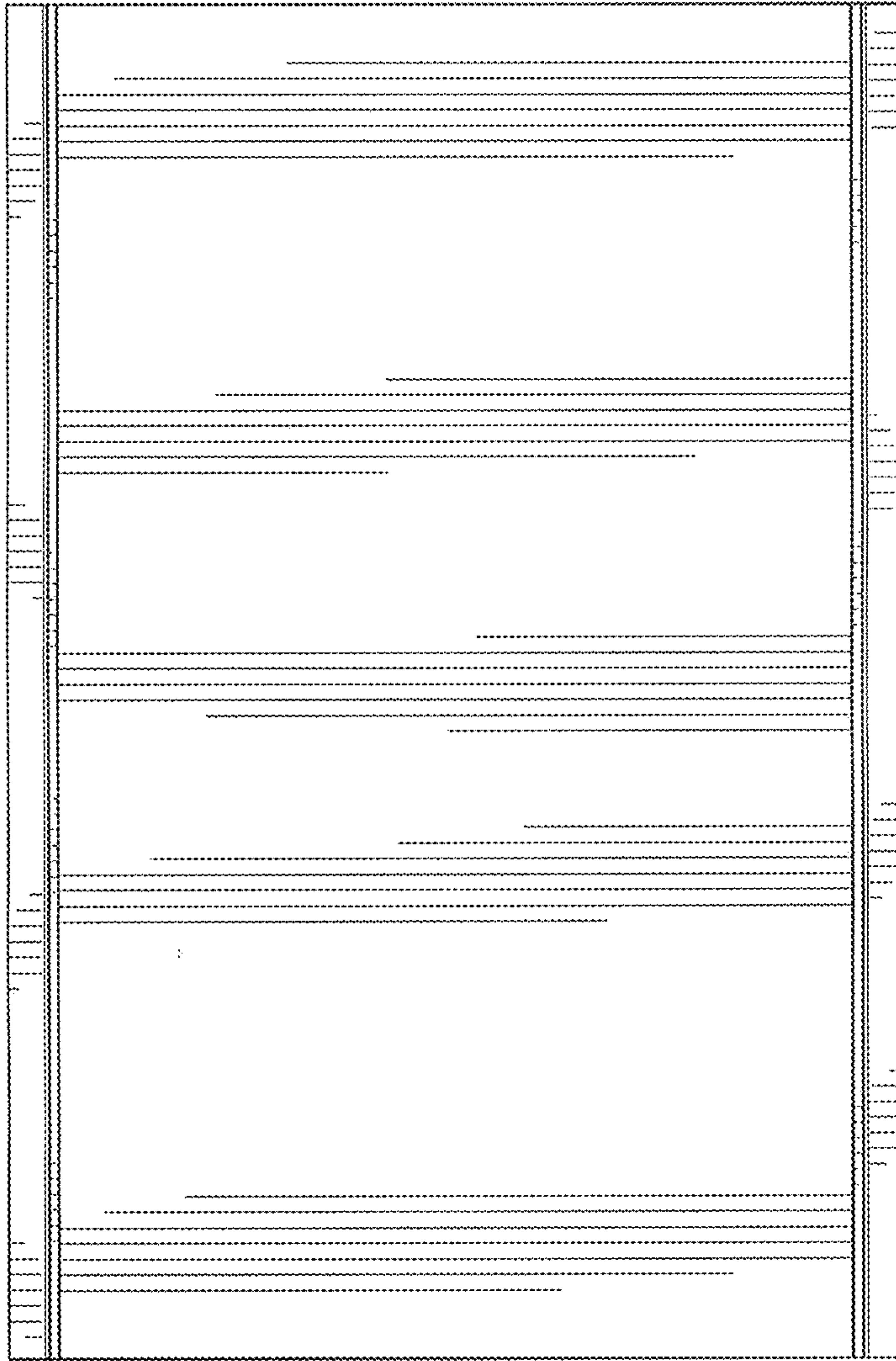


Fig.60

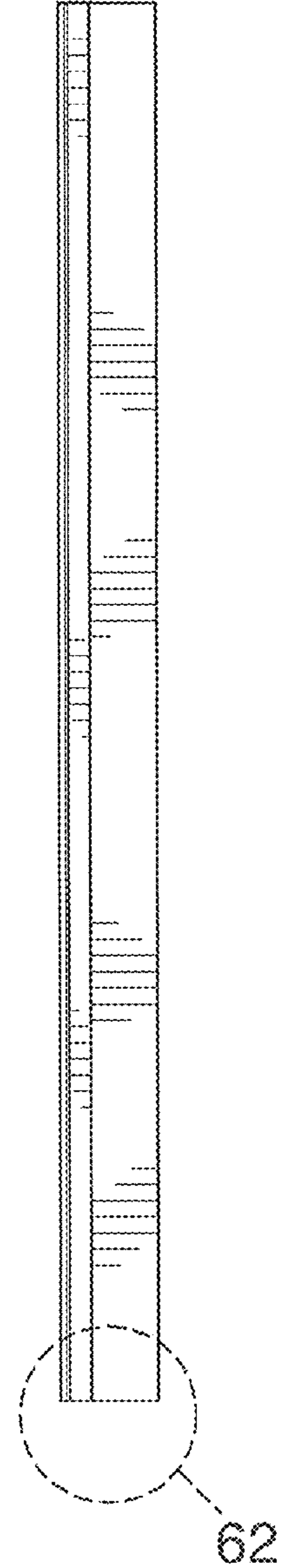


Fig.61

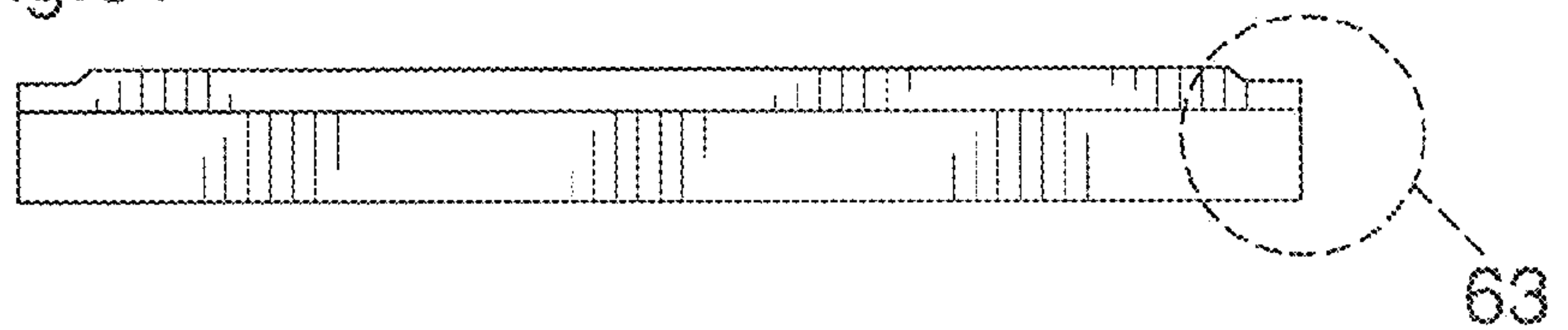


Fig.62

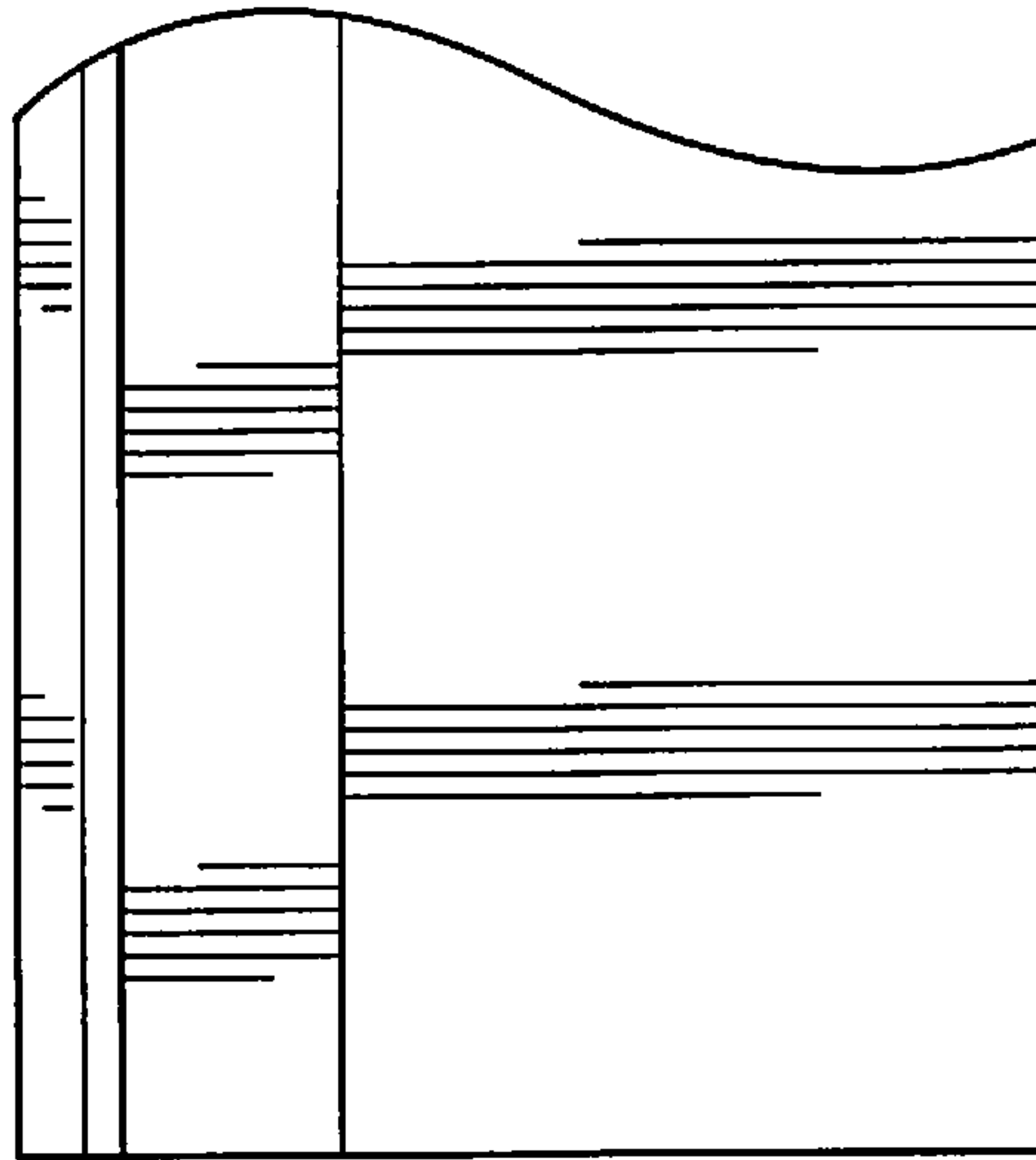


Fig.63

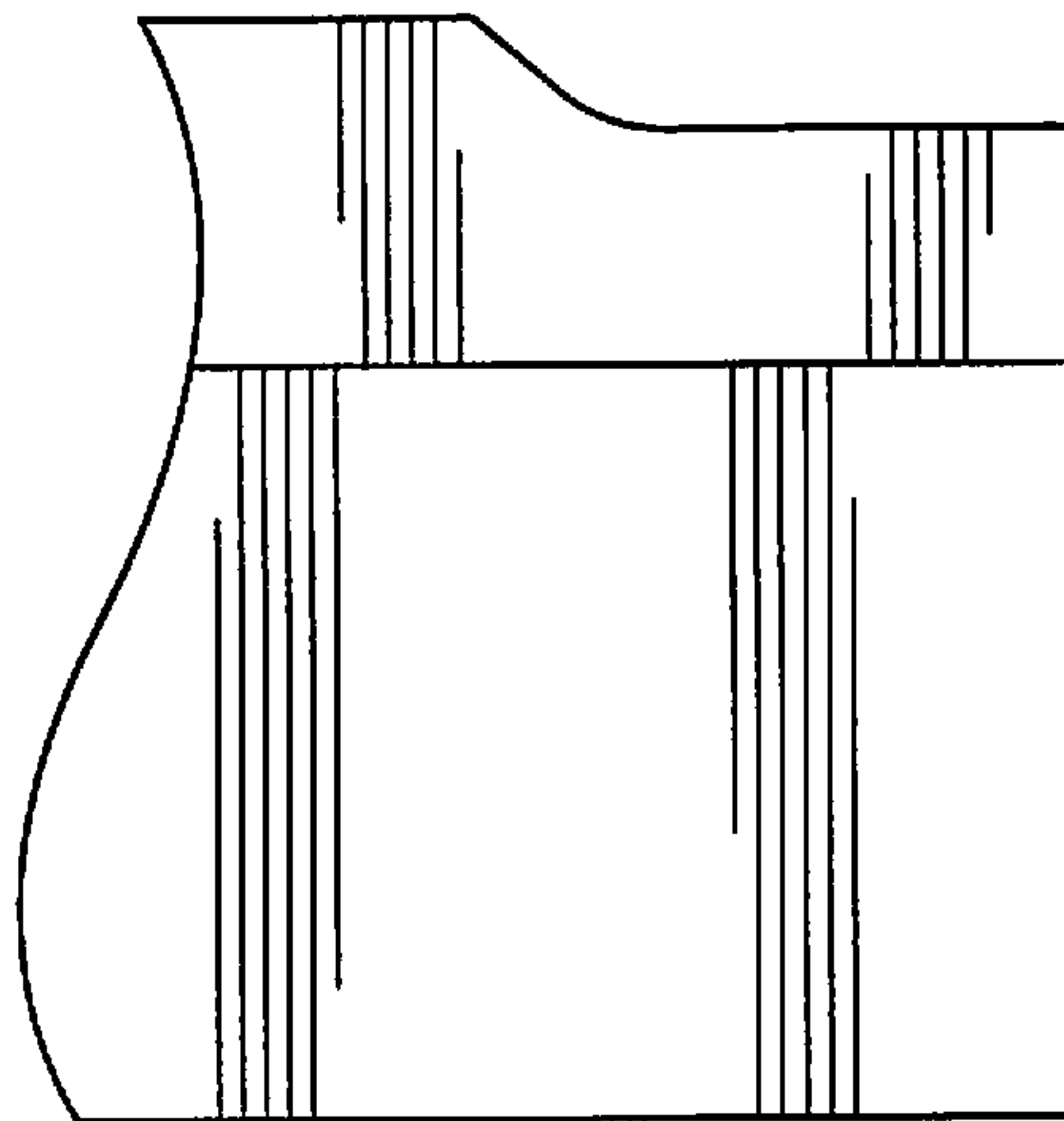


Fig.64

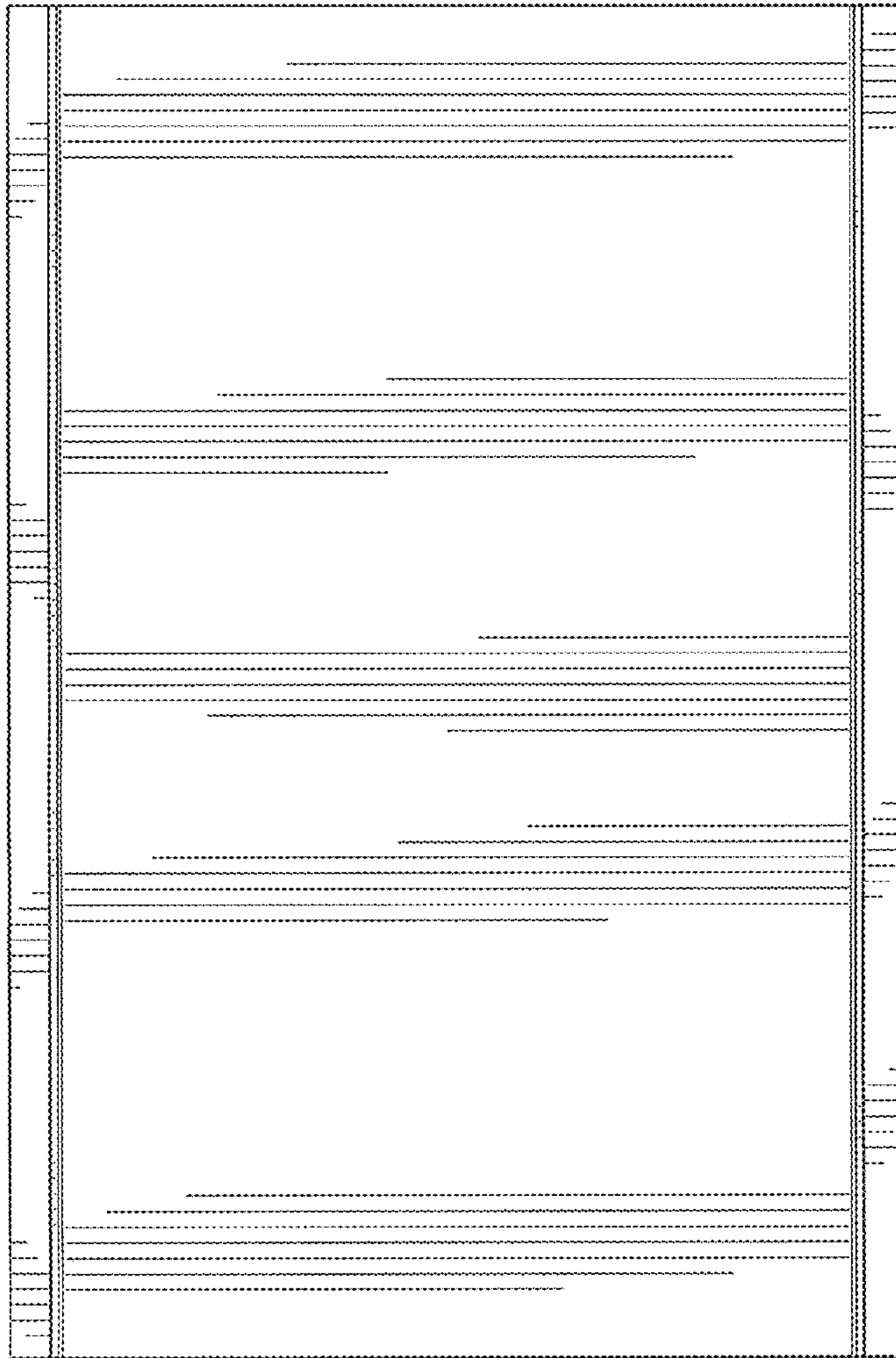


Fig.65

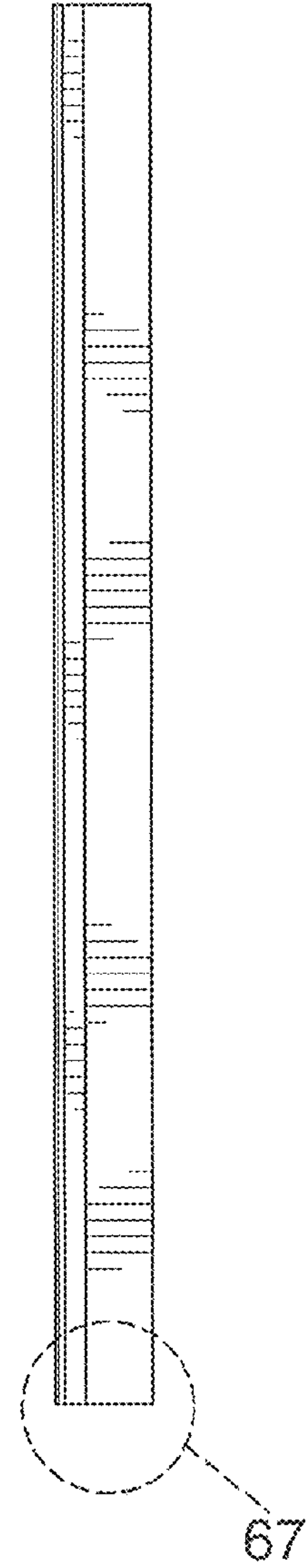


Fig.66

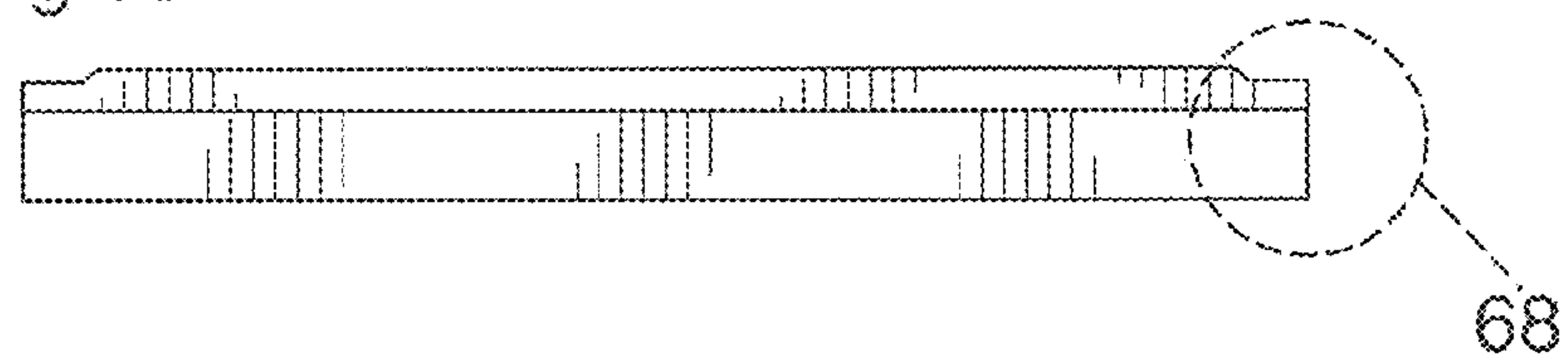


Fig.67

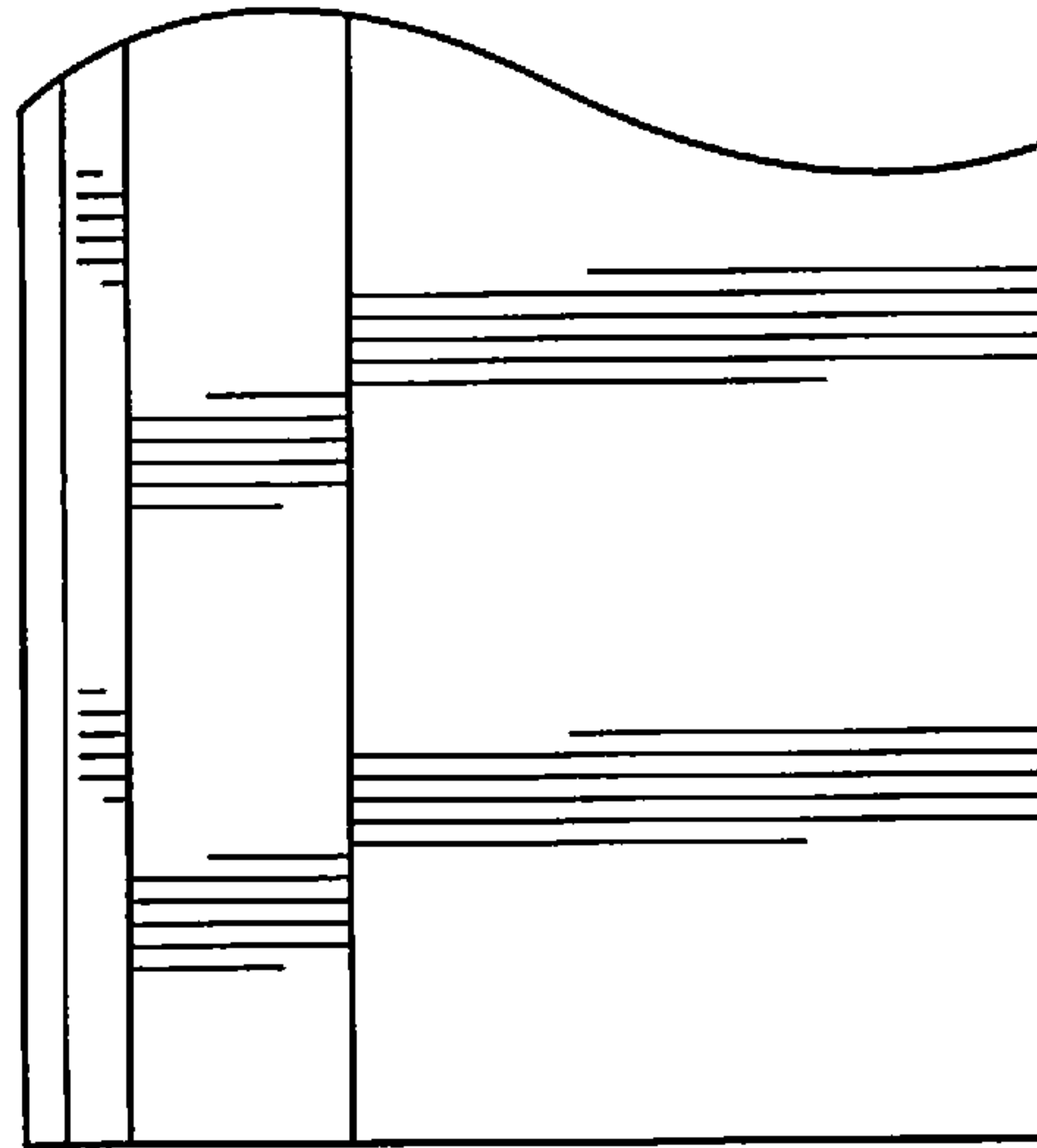


Fig.68

