



US00D710033S

(12) **United States Design Patent**  
**Shetler**

(10) **Patent No.:** **US D710,033 S**

(45) **Date of Patent:** **\*\* Jul. 29, 2014**

(54) **J-BLOCK SIDING**

(76) Inventor: **Jeffrey F. Shetler**, Newburgh, IN (US)

(\*\*) Term: **14 Years**

(21) Appl. No.: **29/426,275**

(22) Filed: **Jul. 3, 2012**

(51) **LOC (10) Cl.** ..... **25-01**

(52) **U.S. Cl.**  
USPC ..... **D25/136**

(58) **Field of Classification Search**

USPC ..... 52/100, 210, 211, 213, 204.71, 302.6,  
52/364, 416, 417, 439, 205, 208, 478,  
52/781.3, 801.1, 800.12, 800.13, 800.15,  
52/800.17, 717.01; D25/60, 61; 49/376,  
49/401, 505, 656.2, 656.9

See application file for complete search history.

(56) **References Cited**

**U.S. PATENT DOCUMENTS**

1,653,713 A \* 12/1927 Larsen ..... 52/718.02  
5,222,343 A \* 6/1993 Anderson ..... 52/718.04  
D385,049 S \* 10/1997 Anderson ..... D25/136

5,966,891 A \* 10/1999 Fagan et al. .... 52/656.9  
5,974,745 A \* 11/1999 Barr ..... 52/212  
6,276,099 B1 \* 8/2001 O'Shea ..... 52/204.1  
6,799,408 B2 \* 10/2004 Brady ..... 52/210  
D558,358 S \* 12/2007 DiGennaro ..... D25/60  
7,543,864 B2 \* 6/2009 Barthel ..... 292/340  
D652,951 S \* 1/2012 Crane et al. .... D25/61

\* cited by examiner

*Primary Examiner* — Doris Clark

(74) *Attorney, Agent, or Firm* — Gary K. Price

(57) **CLAIM**

The ornamental design J-block siding, as shown and described.

**DESCRIPTION**

FIG. 1 is a front perspective view of a J-block siding showing my new design;

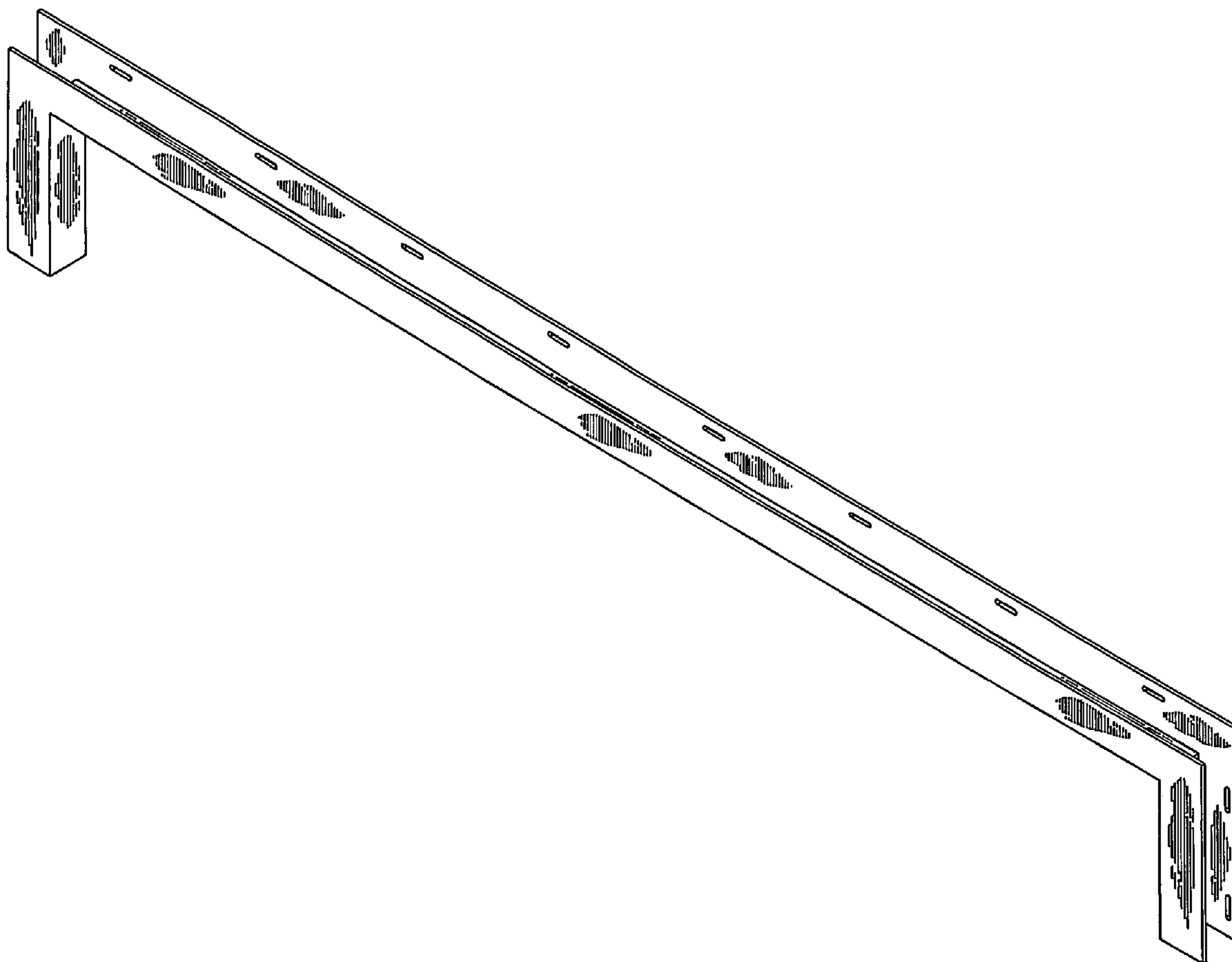
FIG. 2 is a bottom and rear perspective view thereof;

FIG. 3 is a top and rear perspective view thereof;

FIG. 4 is a top view thereof; and,

FIG. 5 is a section view thereof taken on line 5-5 in FIG. 4.

**1 Claim, 5 Drawing Sheets**



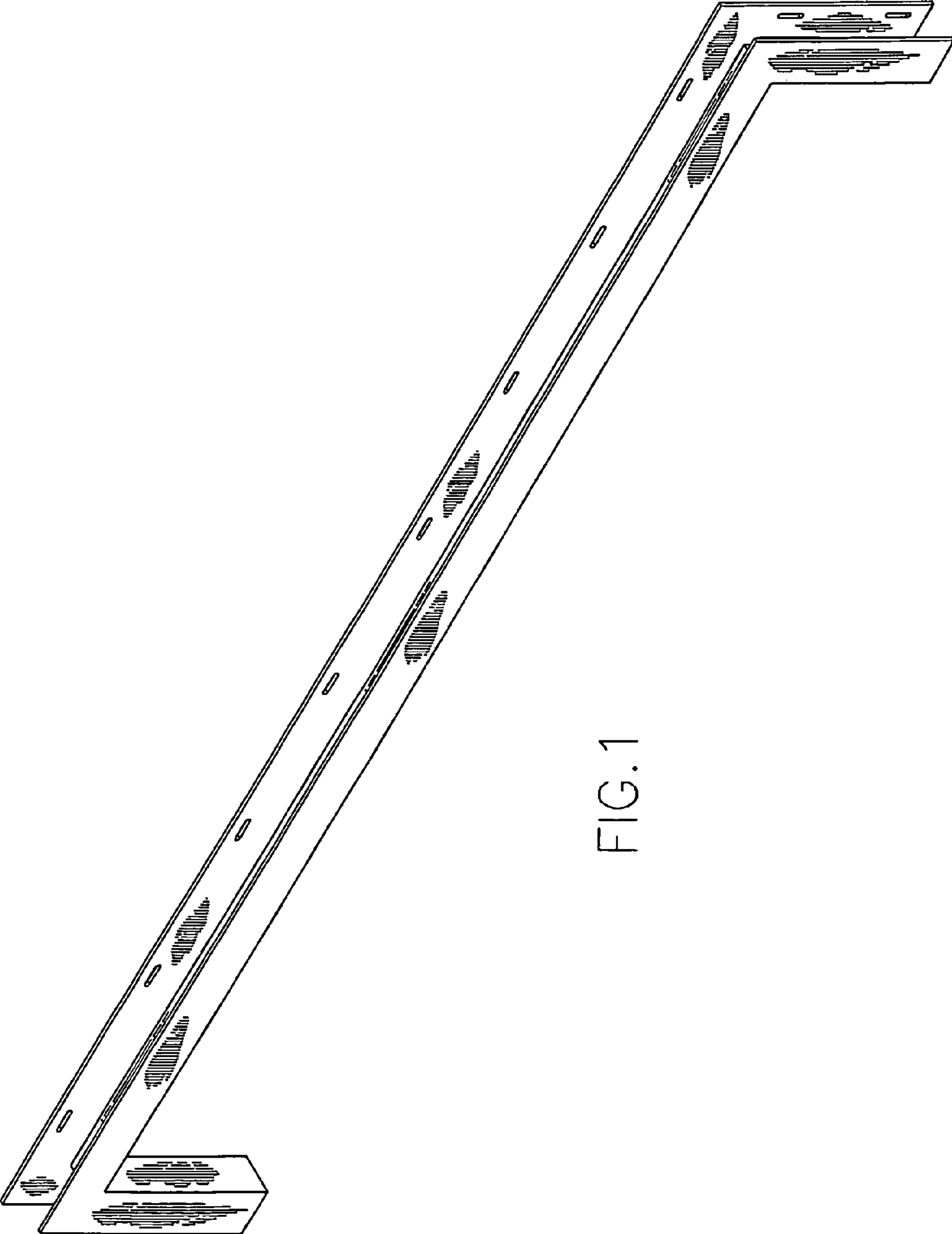


FIG. 1

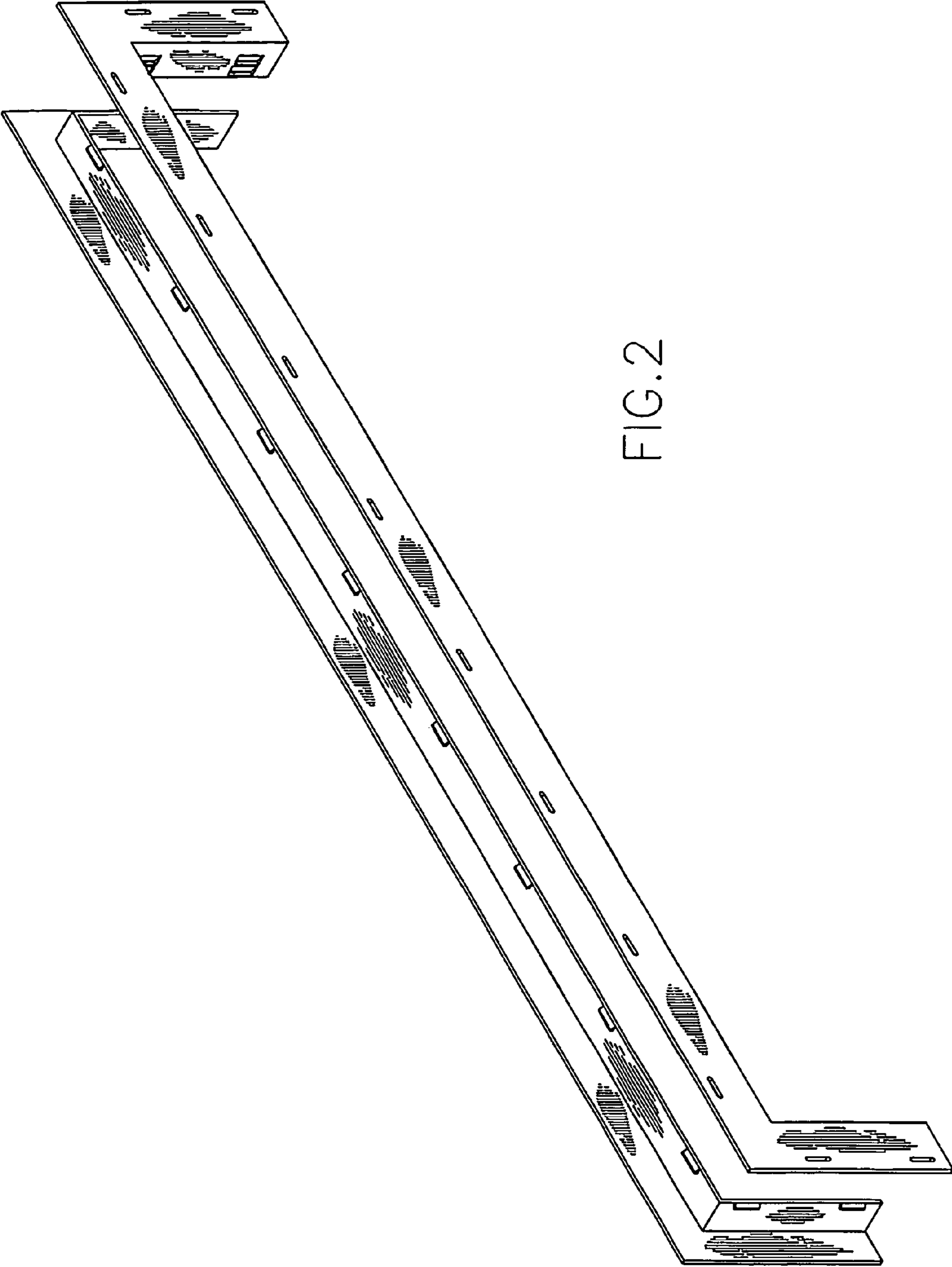


FIG. 2

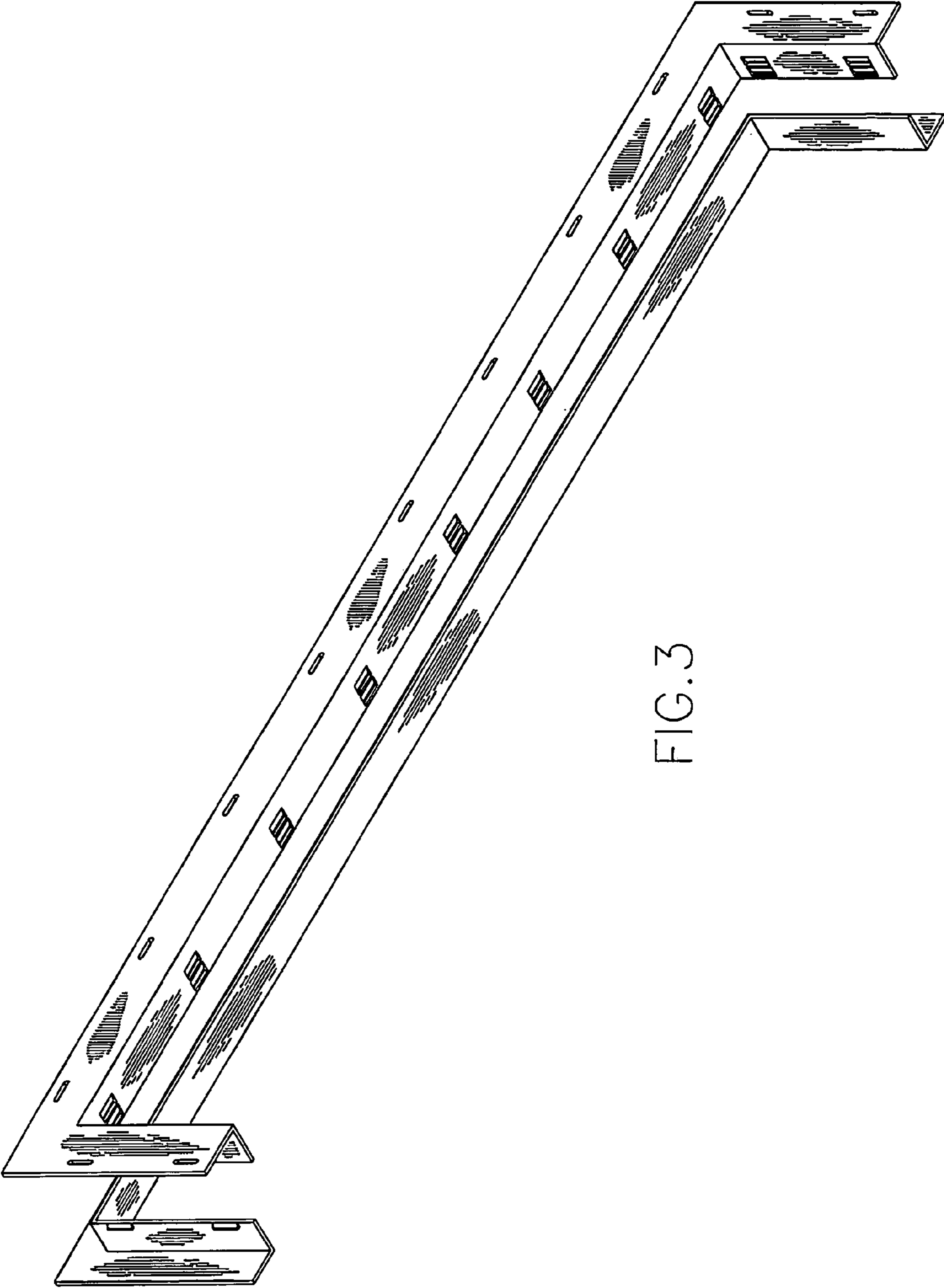


FIG. 3

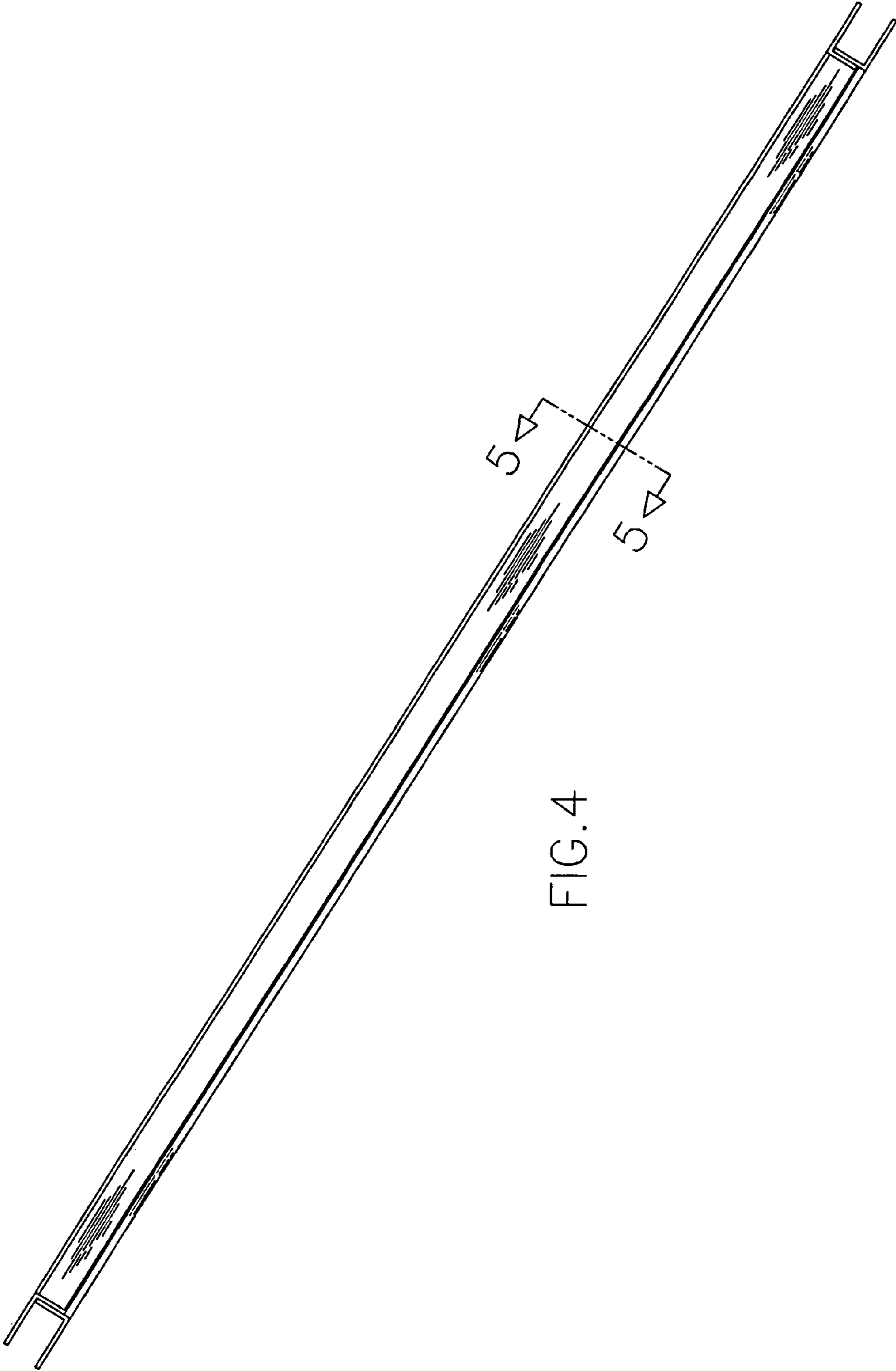


FIG. 4

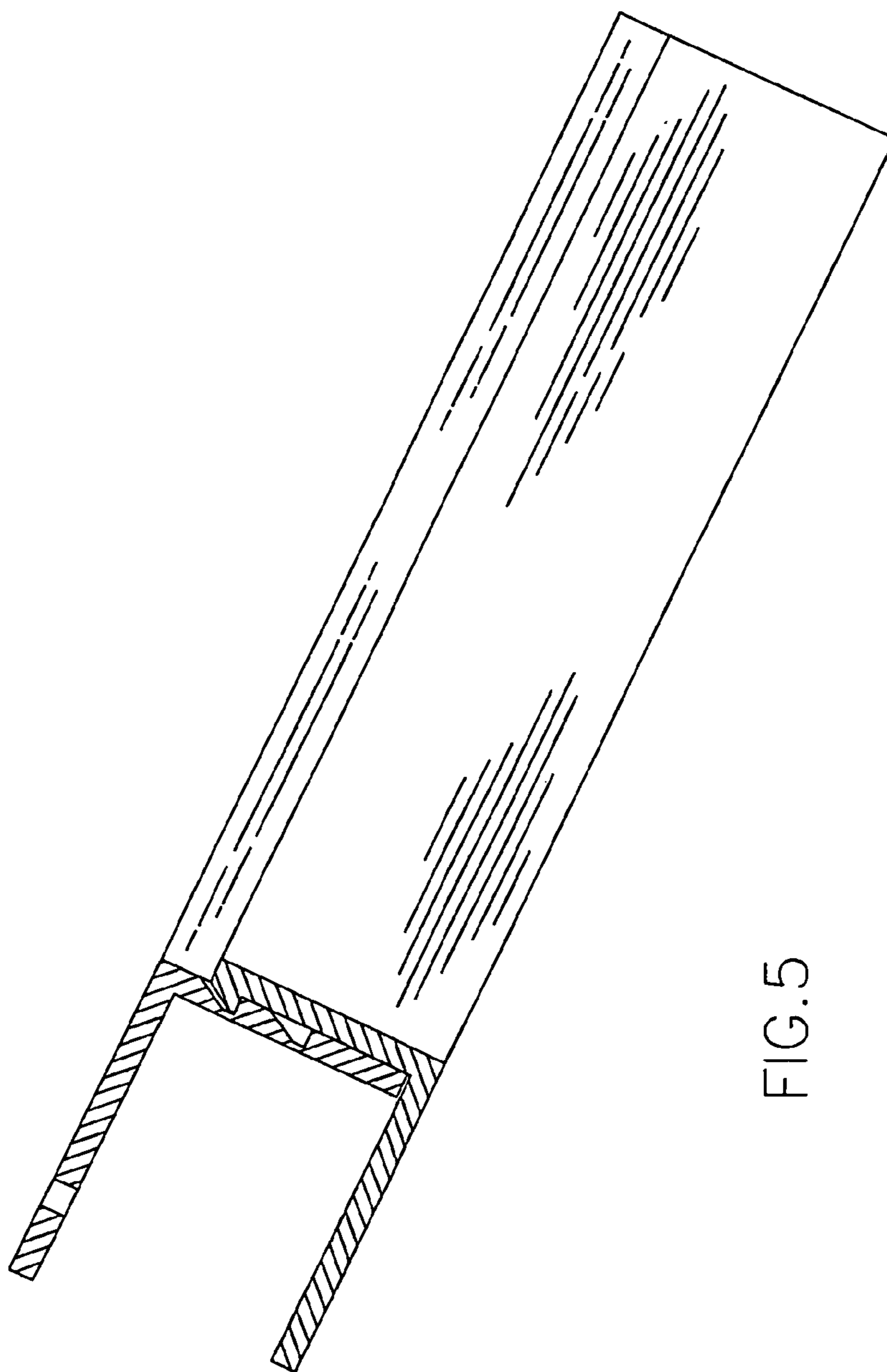


FIG. 5