

US00D710030S

(12) **United States Design Patent**
Fitzgerald et al.

(10) **Patent No.:** **US D710,030 S**
(45) **Date of Patent:** **** Jul. 29, 2014**

(54) **IRREGULAR-SHAPED LADDER FOR A TREE STAND**

(56)

References Cited

U.S. PATENT DOCUMENTS

(71) Applicants: **Bradley E. Fitzgerald**, Falkville, AL
(US); **Kevin E. Turan**, Vinemont, AL
(US)

4,787,476 A * 11/1988 Lee 182/116
5,109,954 A * 5/1992 Skyba 182/189
D420,147 S * 2/2000 Woller et al. D25/64
D660,981 S * 5/2012 Randall D25/64
2011/0209944 A1* 9/2011 Humphrey et al. 182/116

(72) Inventors: **Bradley E. Fitzgerald**, Falkville, AL
(US); **Kevin E. Turan**, Vinemont, AL
(US)

* cited by examiner

Primary Examiner — Doris Clark

(74) *Attorney, Agent, or Firm* — Maynard Cooper & Gale,
P.C.; Jon E. Holland

(73) Assignee: **Treeline Treestands, LLC**, Decatur, AL
(US)

(57) **CLAIM**

We claim the ornamental design for an irregular-shaped ladder for a tree stand, as shown and described.

(**) Term: **14 Years**

DESCRIPTION

(21) Appl. No.: **29/441,118**

FIG. 1 is a left side isometric view of the ladder;
FIG. 2 is a right side isometric view of the ladder;
FIG. 3 is a top view of the ladder;
FIG. 4 is a left side view of the ladder;
FIG. 5 is a front view of the ladder;
FIG. 6 is a right side view of the ladder;
FIG. 7 is a back view of the ladder; and,
FIG. 8 is a bottom view of the ladder.
The broken lines are for illustrative purposes only and form no part of the claimed design.

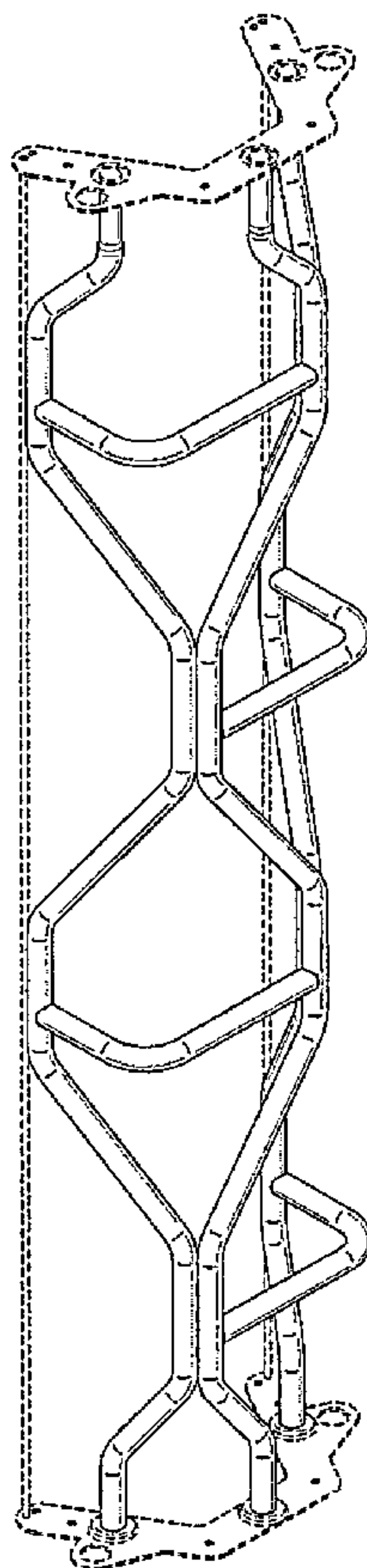
(22) Filed: **Dec. 31, 2012**

(51) **LOC (10) Cl.** **25-04**

(52) **U.S. Cl.**
USPC **D25/64**

(58) **Field of Classification Search**
USPC D25/62, 64, 65; 182/116, 189
See application file for complete search history.

1 Claim, 2 Drawing Sheets



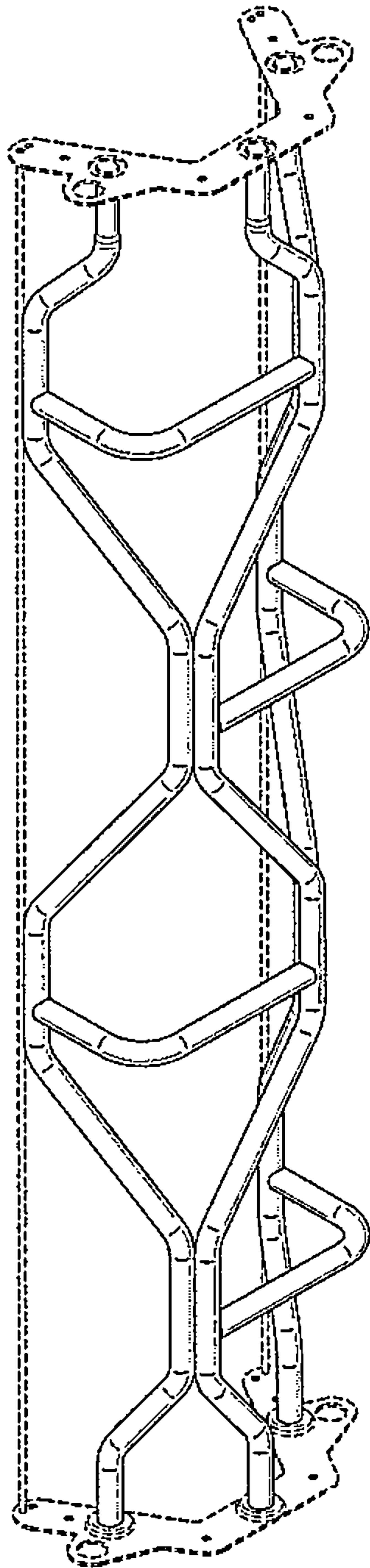


FIG. 1

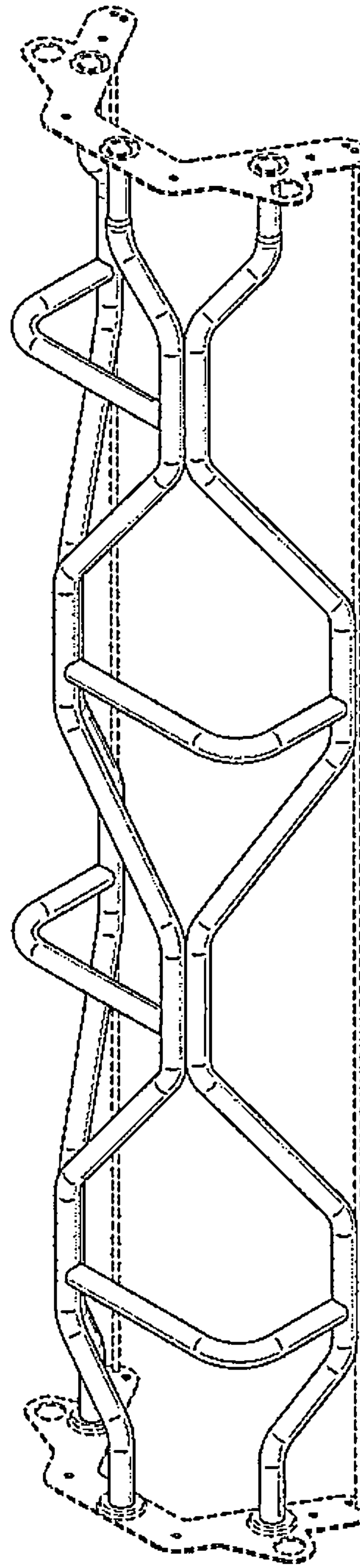


FIG. 2

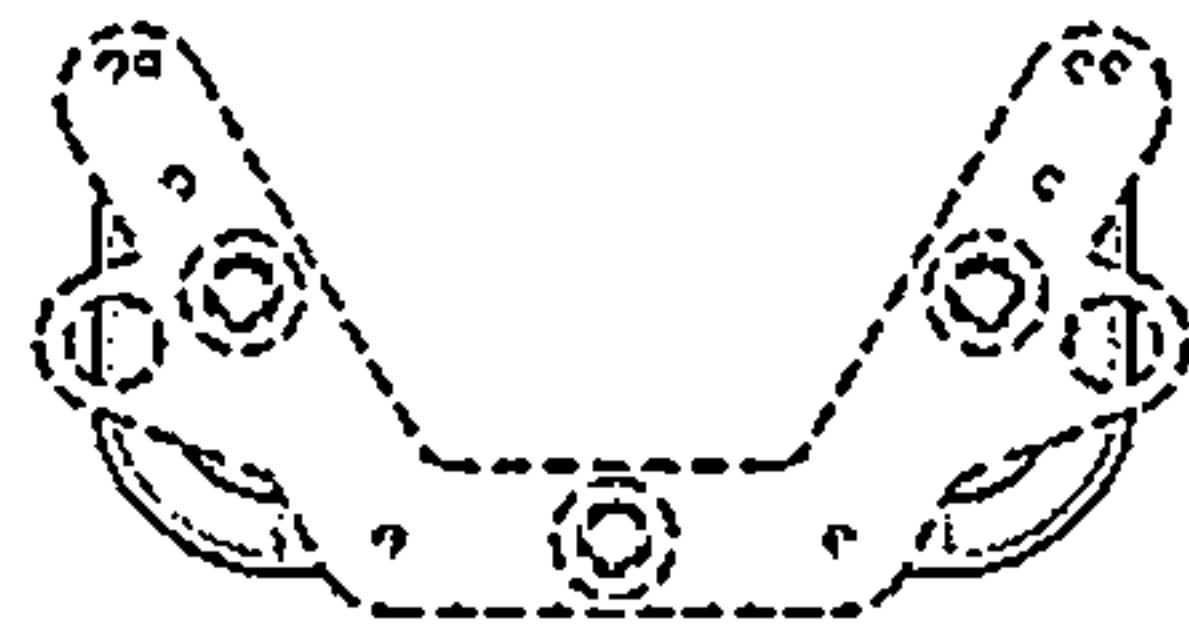


FIG. 3

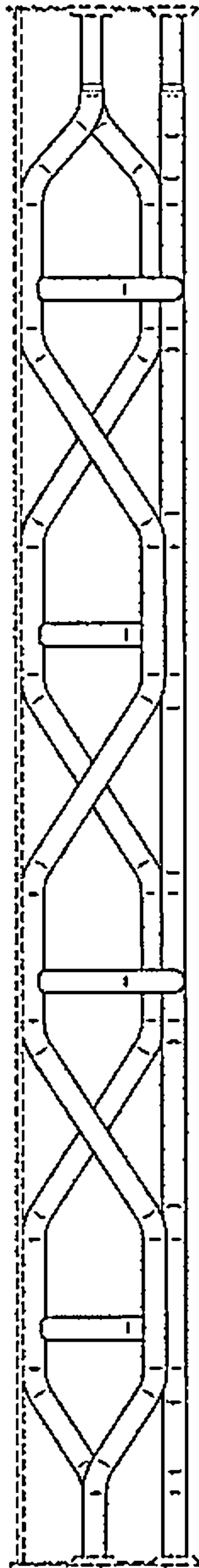


FIG. 4

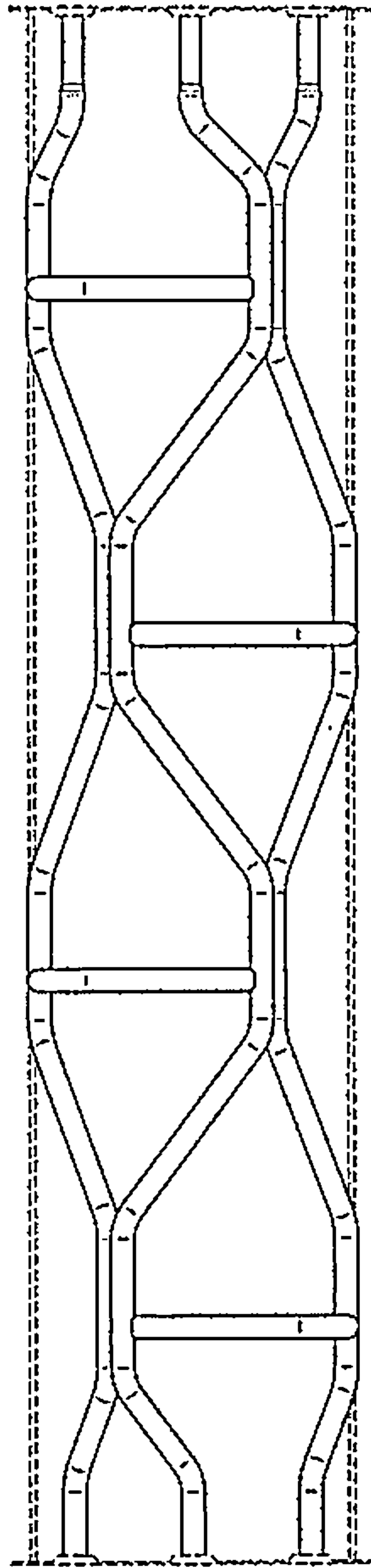


FIG. 5

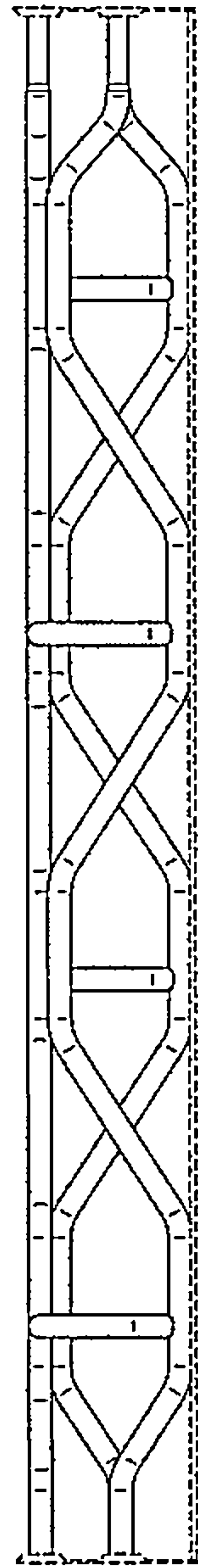


FIG. 6

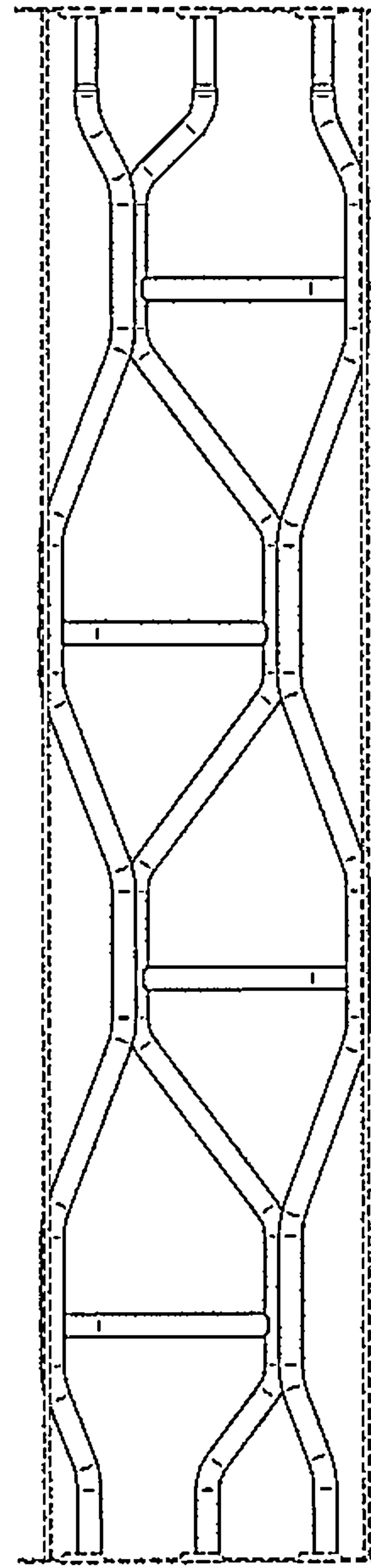


FIG. 7

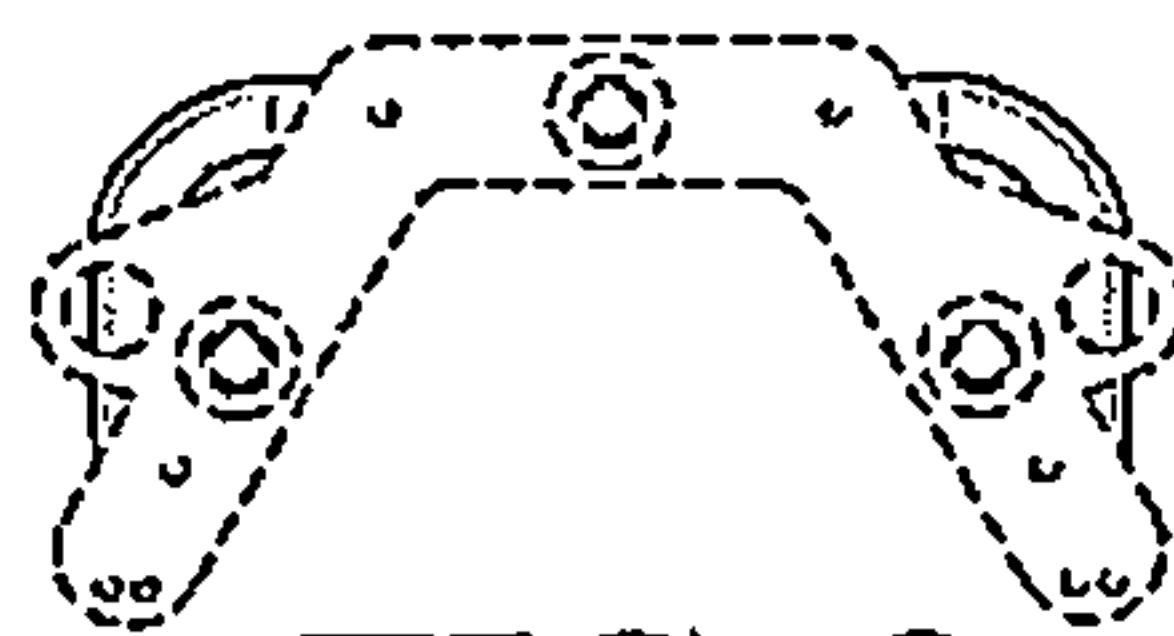


FIG. 8