



US00D710024S

(12) **United States Design Patent**
Guo

(10) **Patent No.:** **US D710,024 S**
(45) **Date of Patent:** **** Jul. 29, 2014**

- (54) **MICROPLATE**
- (71) Applicant: **Bio-Rad Laboratories**, Hercules, CA (US)
- (72) Inventor: **Kun Guo**, Hercules, CA (US)
- (73) Assignee: **Bio-Rad Laboratories, Inc.**, Hercules, CA (US)
- (**) Term: **14 Years**
- (21) Appl. No.: **29/449,335**
- (22) Filed: **Mar. 14, 2013**
- (51) **LOC (10) Cl.** **24-01**
- (52) **U.S. Cl.**
USPC **D24/232; D24/230**
- (58) **Field of Classification Search**
USPC D24/232, 216–217, 226–227, 230, 222, D24/229; 422/407, 63, 65, 500, 534, 422/551–553, 560–561, 569, 942, 948, 422/400; 211/126.1; 435/288.4, 305.1, 435/305.2
See application file for complete search history.

D420,743	S	*	2/2000	Monks	D24/224
6,106,783	A	*	8/2000	Gamble	422/553
RE38,312	E	*	11/2003	Gamble	422/553
6,767,607	B2	*	7/2004	Tanner et al.	435/288.4
6,896,848	B1	*	5/2005	Warhurst et al.	422/569
8,062,900	B2	*	11/2011	Modavis	436/164
D699,371	S	*	2/2014	Williams et al.	D24/230
2003/0235519	A1	*	12/2003	Sha et al.	422/942
2008/0095673	A1	*	4/2008	Xu	422/102
2013/0315800	A1	*	11/2013	Yin et al.	422/552

* cited by examiner

Primary Examiner — Wan Laymon

(74) *Attorney, Agent, or Firm* — Kilpatrick Townsend & Stockton LLP

(57) **CLAIM**

The ornamental design for a microplate, as shown and described.

DESCRIPTION

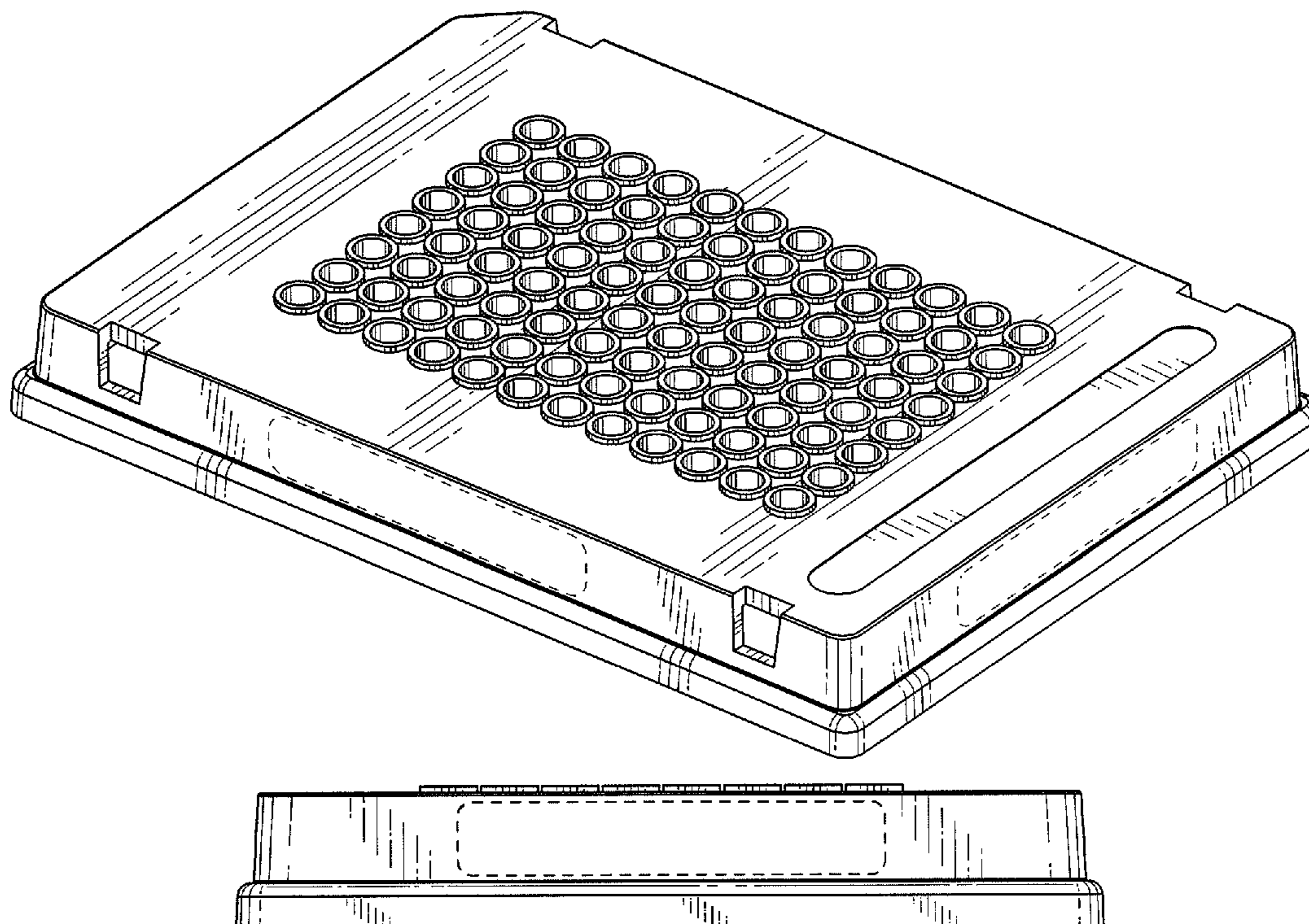
FIG. 1 is a perspective view of the microplate showing my new design;
 FIG. 2 is a top plan view thereof;
 FIG. 3 is a bottom plan view thereof;
 FIG. 4 is a front elevational view thereof;
 FIG. 5 is a rear elevational view thereof;
 FIG. 6 is a right side elevational view thereof; and,
 FIG. 7 is a left side elevational view thereof.
 The broken lines shown in the figures represent portions of the microplate form no part of the claimed design.

1 Claim, 5 Drawing Sheets

(56) **References Cited**

U.S. PATENT DOCUMENTS

4,725,388	A	*	2/1988	Nelson et al.	422/942
D313,651	S	*	1/1991	Michelson	D24/217
5,939,024	A	*	8/1999	Robertson	422/534
5,961,926	A	*	10/1999	Kolb et al.	422/534



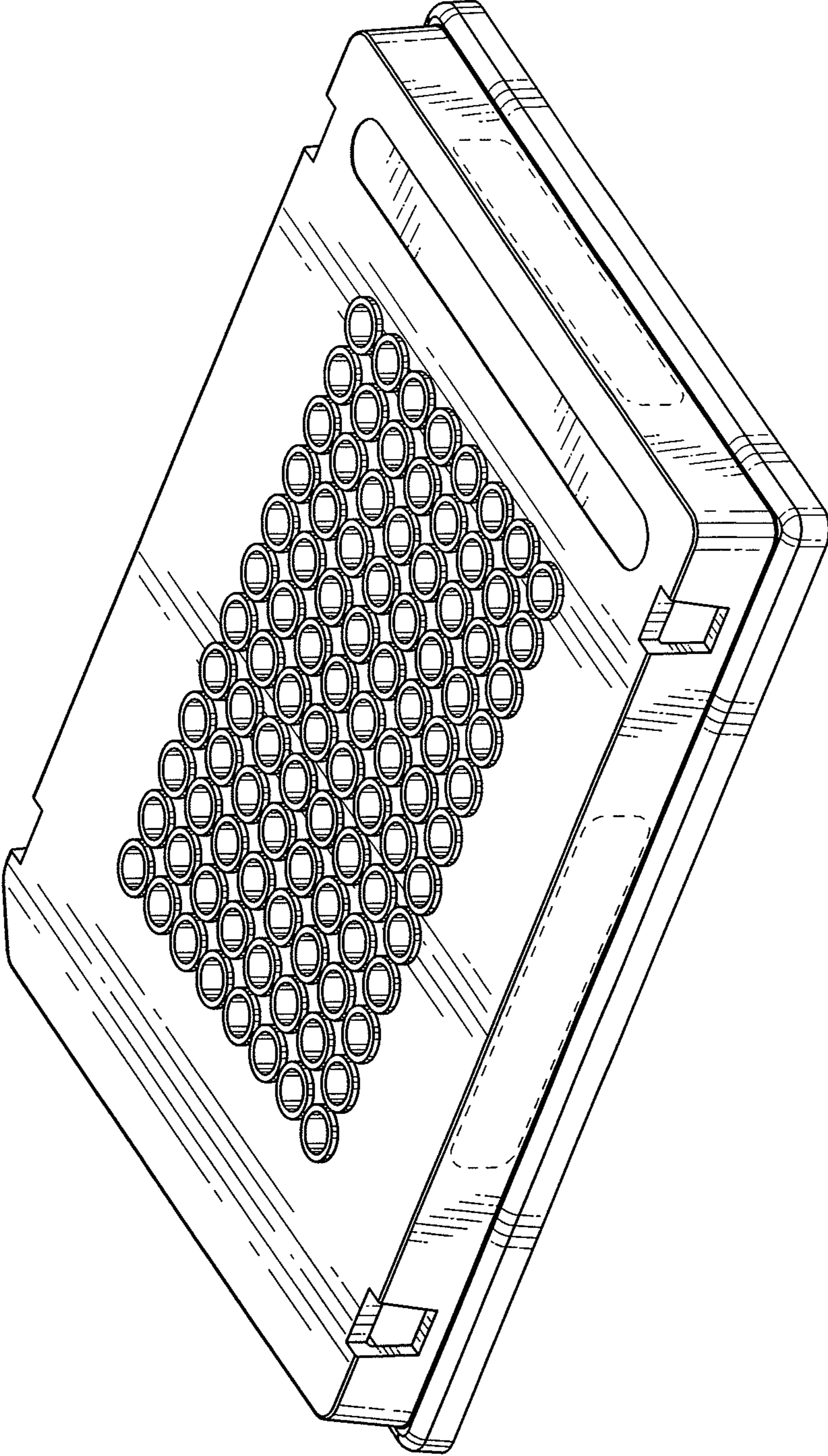


FIG. 1

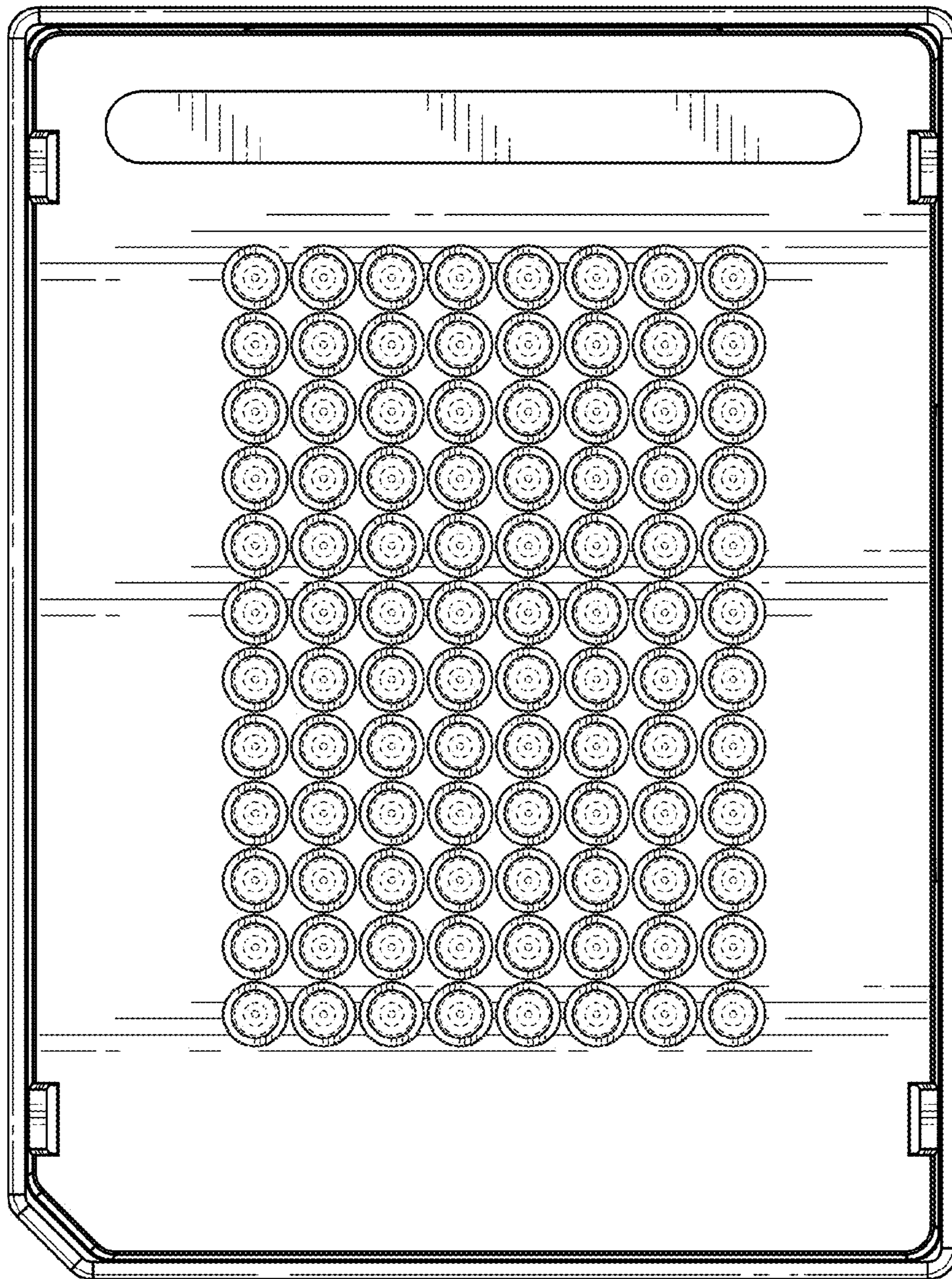


FIG. 2

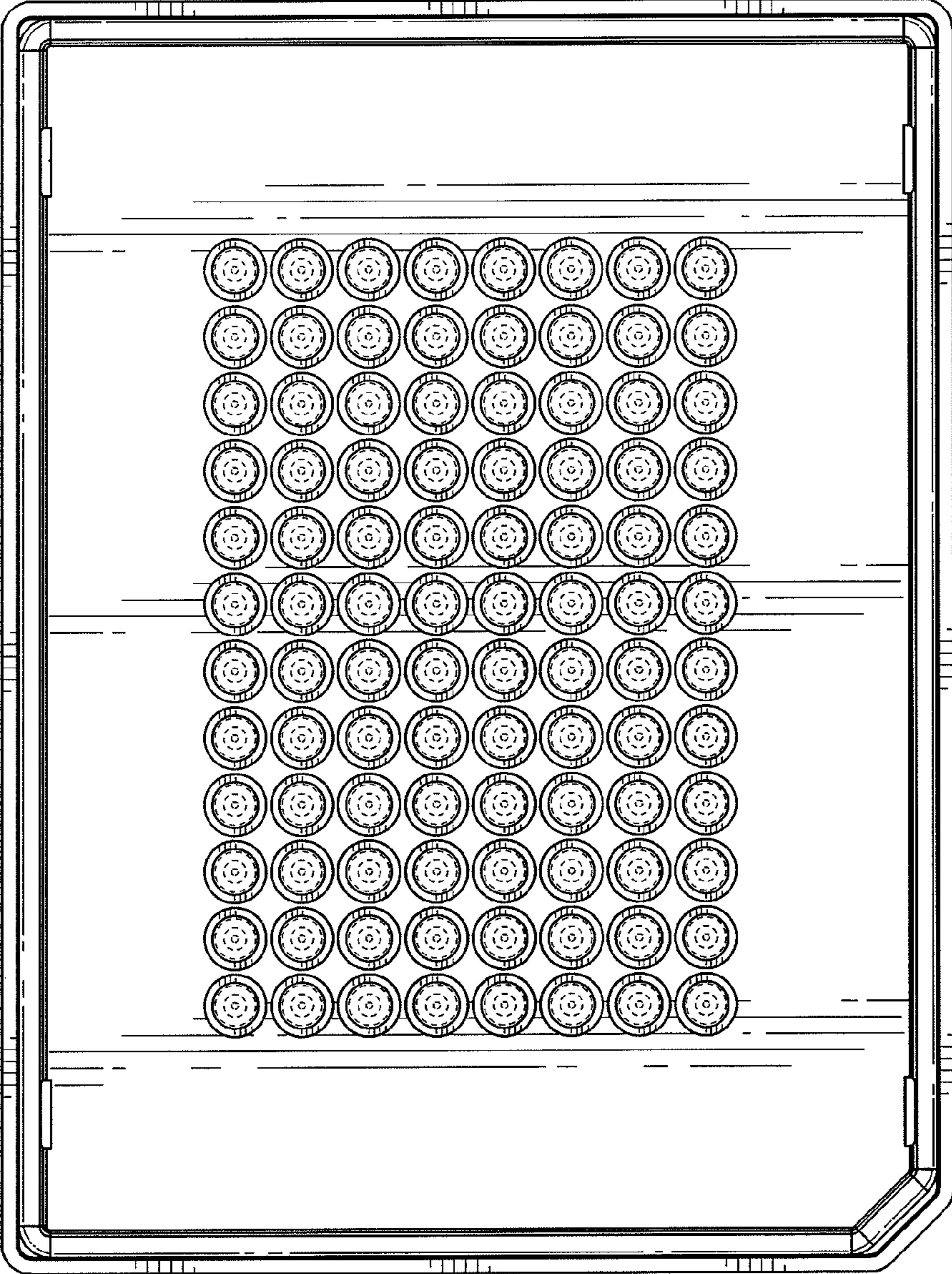


FIG. 3

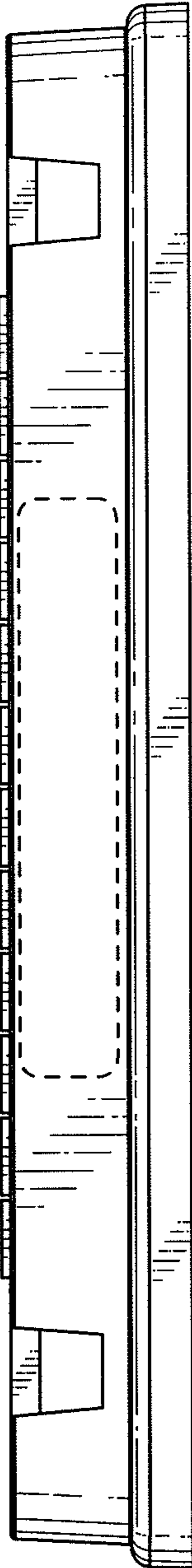


FIG. 4

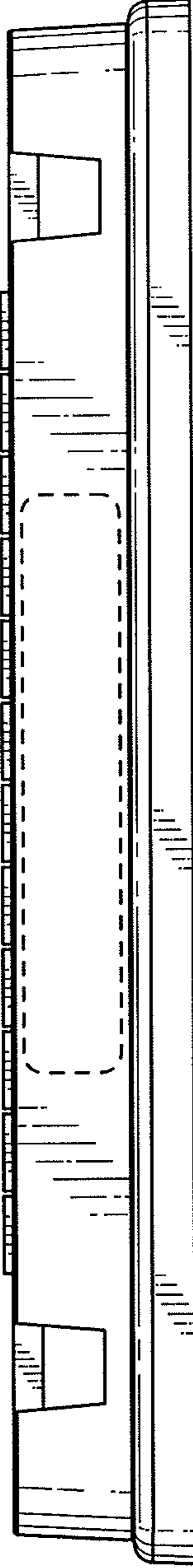


FIG. 5

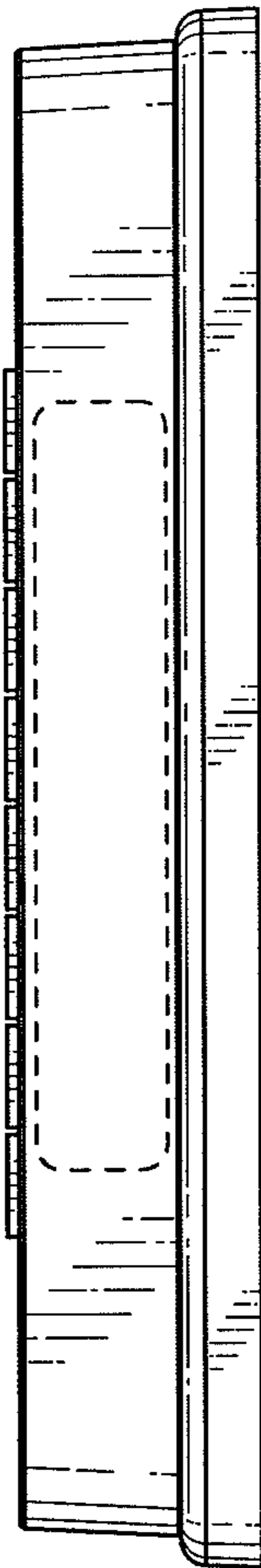


FIG. 6

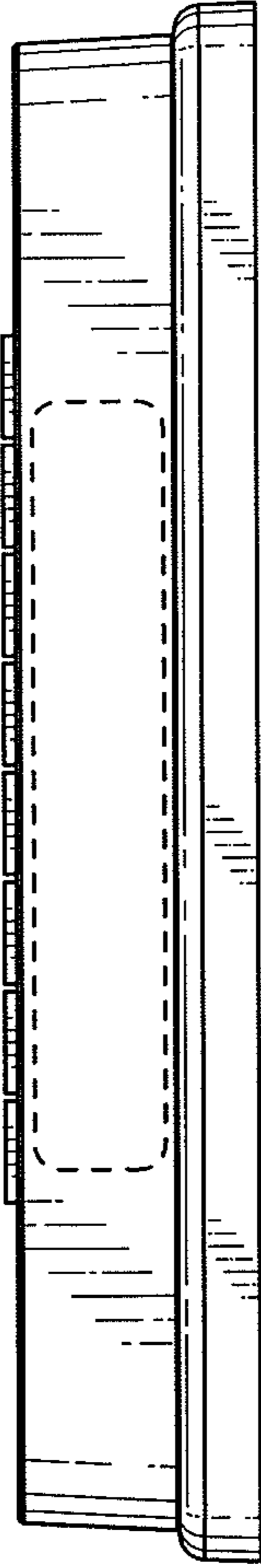


FIG. 7