



US00D710021S

(12) **United States Design Patent**
Blaine et al.

(10) **Patent No.:** **US D710,021 S**
(45) **Date of Patent:** **** Jul. 29, 2014**

(54) **TIP FOR VIBRATING ANESTHESIA DEVICE**

(71) Applicant: **Blaine Laboratories, Inc.**, Santa Fe
Spring, CA (US)

(72) Inventors: **Robert C. Blaine**, Buena Park, CA
(US); **Ashley S. Tilling**, San Juan
Capistrano, CA (US)

(73) Assignee: **Blaine Laboratories, Inc.**, Santa Fe
Springs, CA (US)

(**) Term: **14 Years**

(21) Appl. No.: **29/446,198**

(22) Filed: **Feb. 21, 2013**

Related U.S. Application Data

(63) Continuation of application No. 12/874,569, filed on
Sep. 2, 2010, now Pat. No. 8,449,482.

(51) **LOC (10) Cl.** **28-03**

(52) **U.S. Cl.**
USPC **D24/200**

(58) **Field of Classification Search**
USPC D24/210, 209, 200, 158, 176, 144, 133,
D24/147; 362/555, 545, 800, 294, 249, 267;
D26/29, 37, 39, 41, 104; 606/2-4, 16,
606/131; 607/88-95; 433/29; 128/203.12,
128/203.27; 604/279, 112; 601/15, 46, 72,
601/80; D7/691

See application file for complete search history.

(56) **References Cited**

U.S. PATENT DOCUMENTS

4,676,239 A * 6/1987 Humphrey 128/205.17
4,784,139 A * 11/1988 Demos 606/148
D331,288 S 11/1992 Yuen

5,171,225 A 12/1992 Sterrett
D339,419 S 9/1993 Hood et al.
D344,801 S 3/1994 Hughes et al.
5,377,879 A * 1/1995 Isaacs 222/205
D360,036 S 7/1995 Doria
D362,067 S 9/1995 Chang
D374,932 S 10/1996 Engelman
D415,662 S * 10/1999 Schneider D7/700
D419,400 S * 1/2000 Martinez D7/691
D438,979 S 3/2001 Gomes et al.
6,463,928 B1 10/2002 Buisson
D473,988 S * 4/2003 Miller D32/74
D496,233 S * 9/2004 Young et al. D7/691
D501,373 S * 2/2005 Allen et al. D7/681
D508,296 S 8/2005 Dibnah et al.
D558,396 S 12/2007 Sierra et al.
D609,361 S 2/2010 McGarry et al.
D618,070 S * 6/2010 Jalet et al. D7/691

(Continued)

Primary Examiner — David Muller

(74) *Attorney, Agent, or Firm* — McKee, Voorhees & Sease,
P.L.C.

(57) **CLAIM**

We claim the ornamental design for a tip for vibrating anes-
thesia device, substantially as shown and described.

DESCRIPTION

FIG. 1 is a perspective view of the vibrating anesthesia device
tip of the present invention.

FIG. 2 is a rear perspective view of the tip.

FIG. 3 is a left side elevation view of the tip.

FIG. 4 is a right side elevation view of the tip.

FIG. 5 is a rear elevation view of the tip.

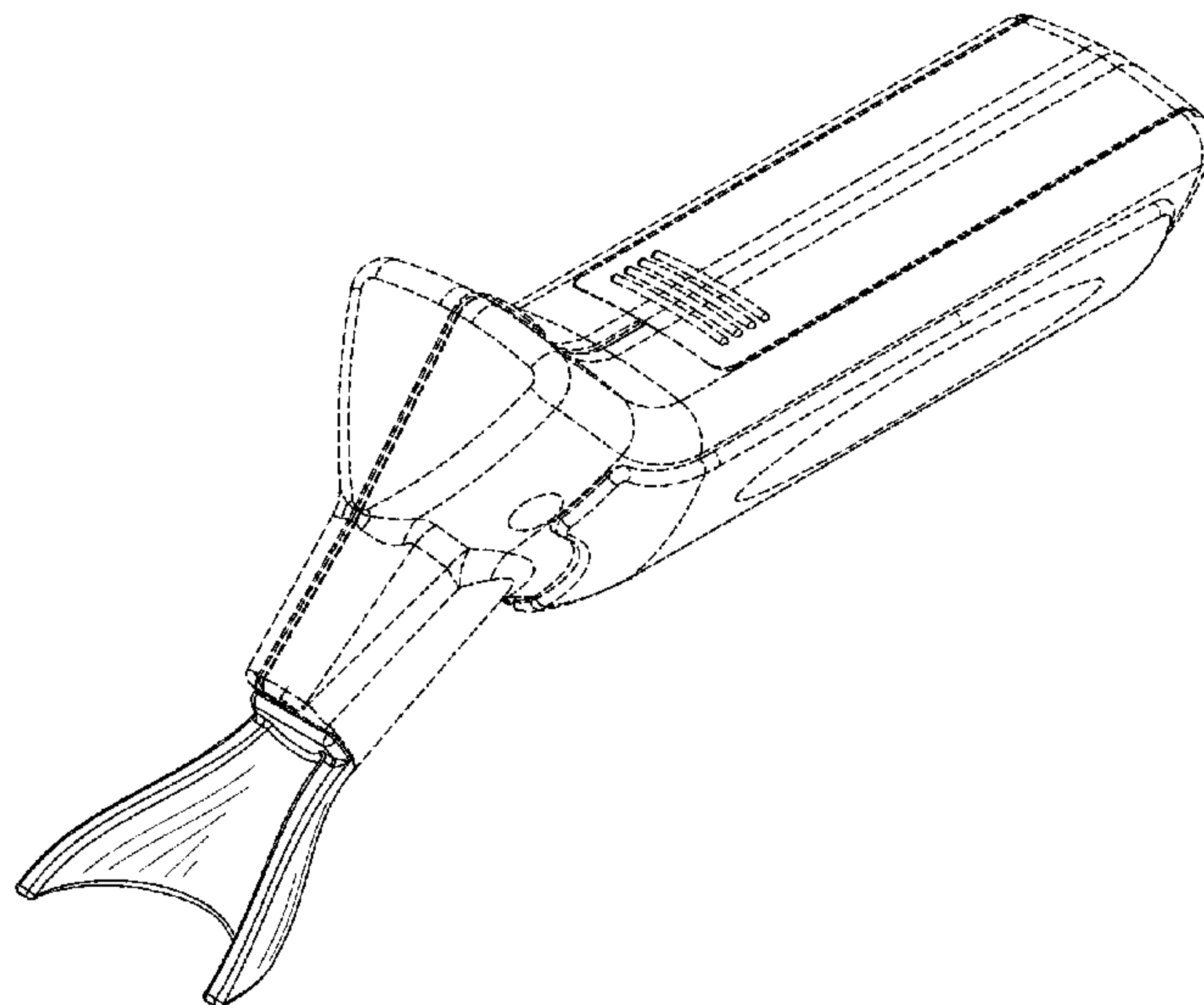
FIG. 6 is a front elevation view of the tip.

FIG. 7 is a top plan view of the tip; and,

FIG. 8 is a bottom plan view of the tip.

The features shown in broken lines depict environmental
structure only and form no part of the claimed design.

1 Claim, 3 Drawing Sheets



US D710,021 S

Page 2

(56)

References Cited

U.S. PATENT DOCUMENTS

			D681,404 S *	5/2013	Cotter	D7/691	
			D685,091 S *	6/2013	Morawski et al.	D24/147	
			8,636,511 B2 *	1/2014	Porter et al.	433/174	
	7,748,070 B2	7/2010	Chan et al.				
	D678,007 S *	3/2013	Suess et al.			D7/691	* cited by examiner

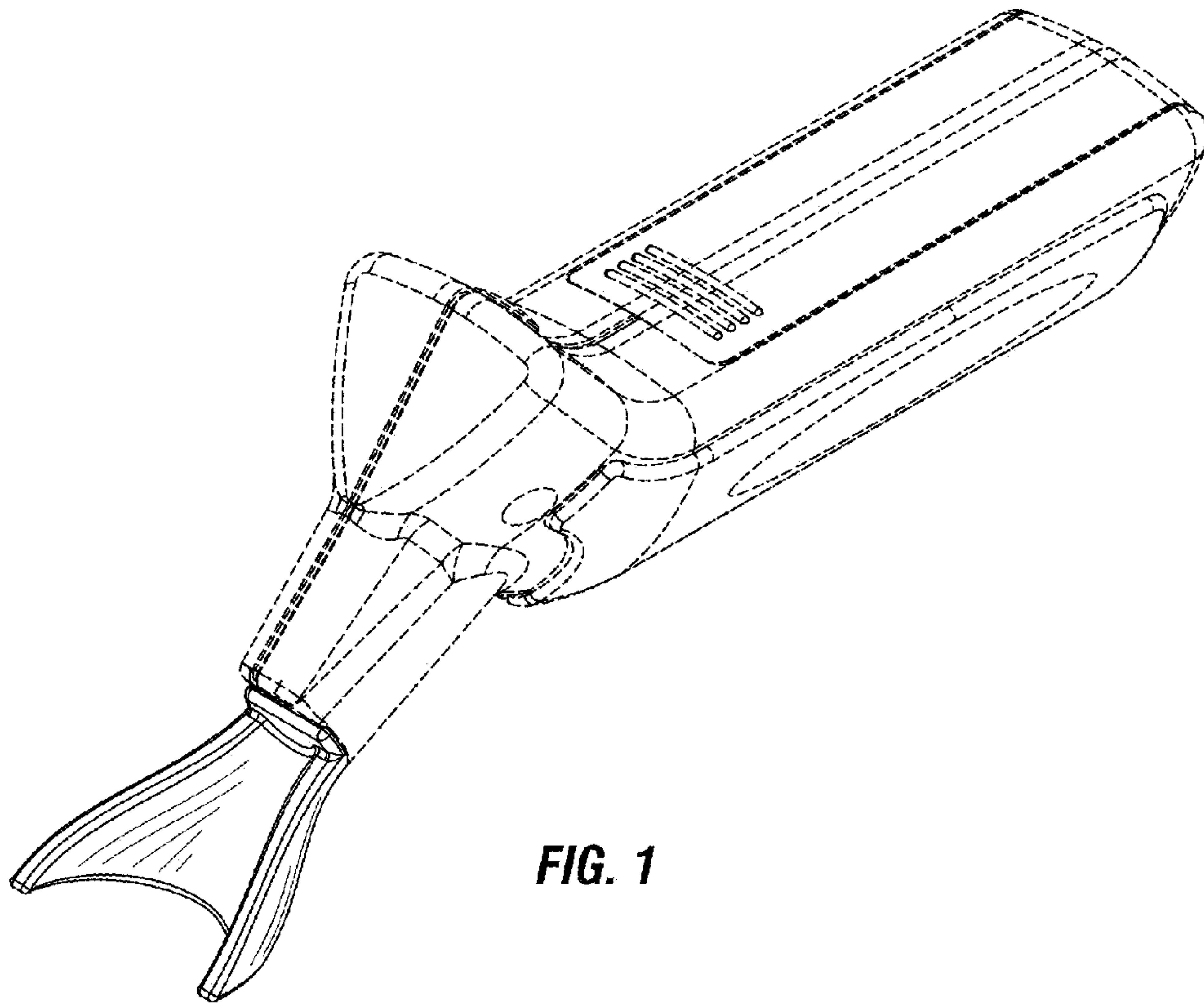


FIG. 1

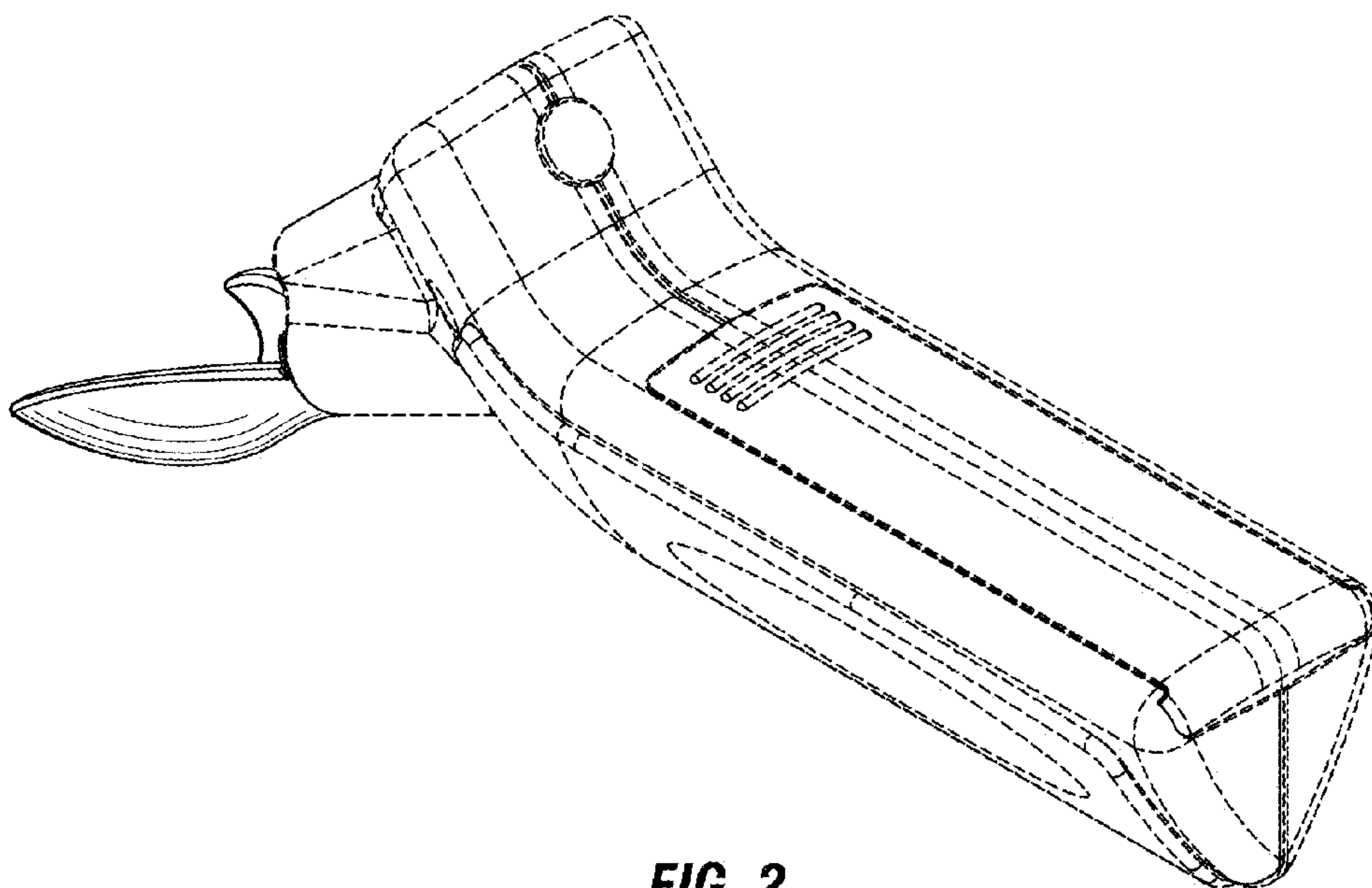


FIG. 2

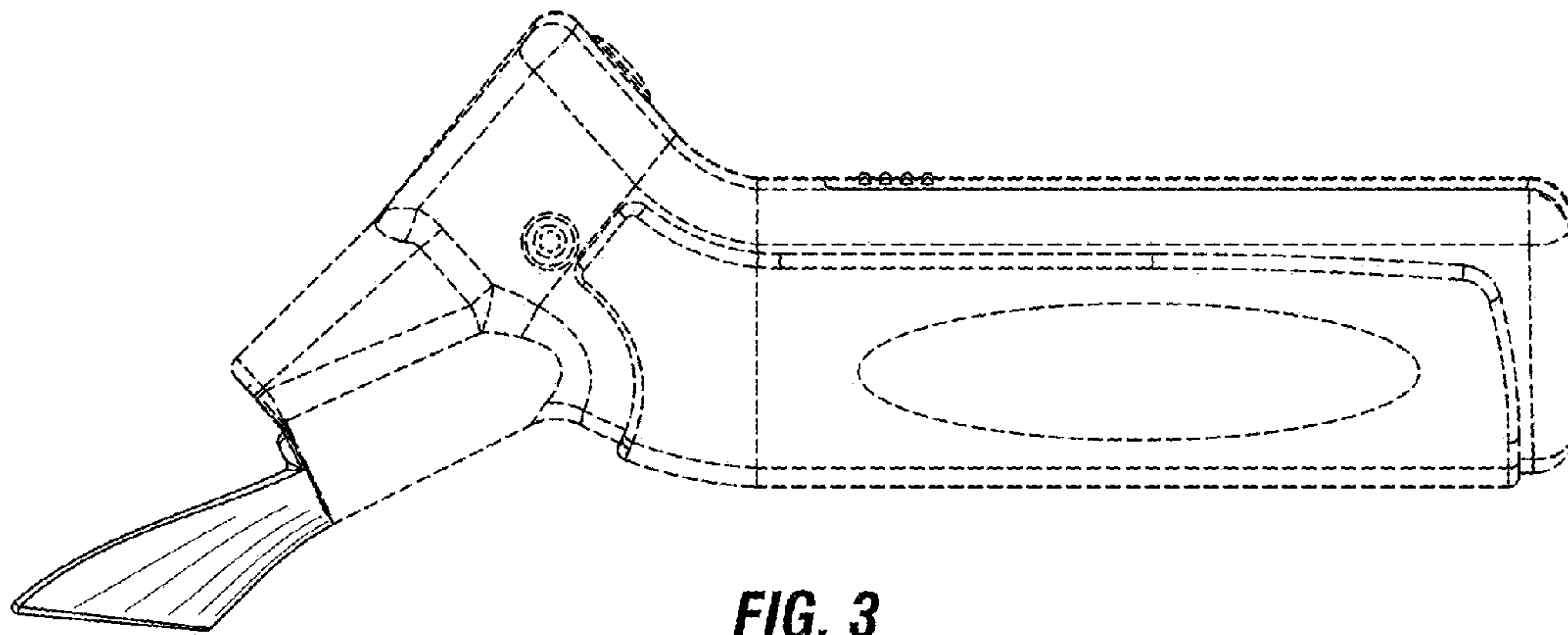


FIG. 3

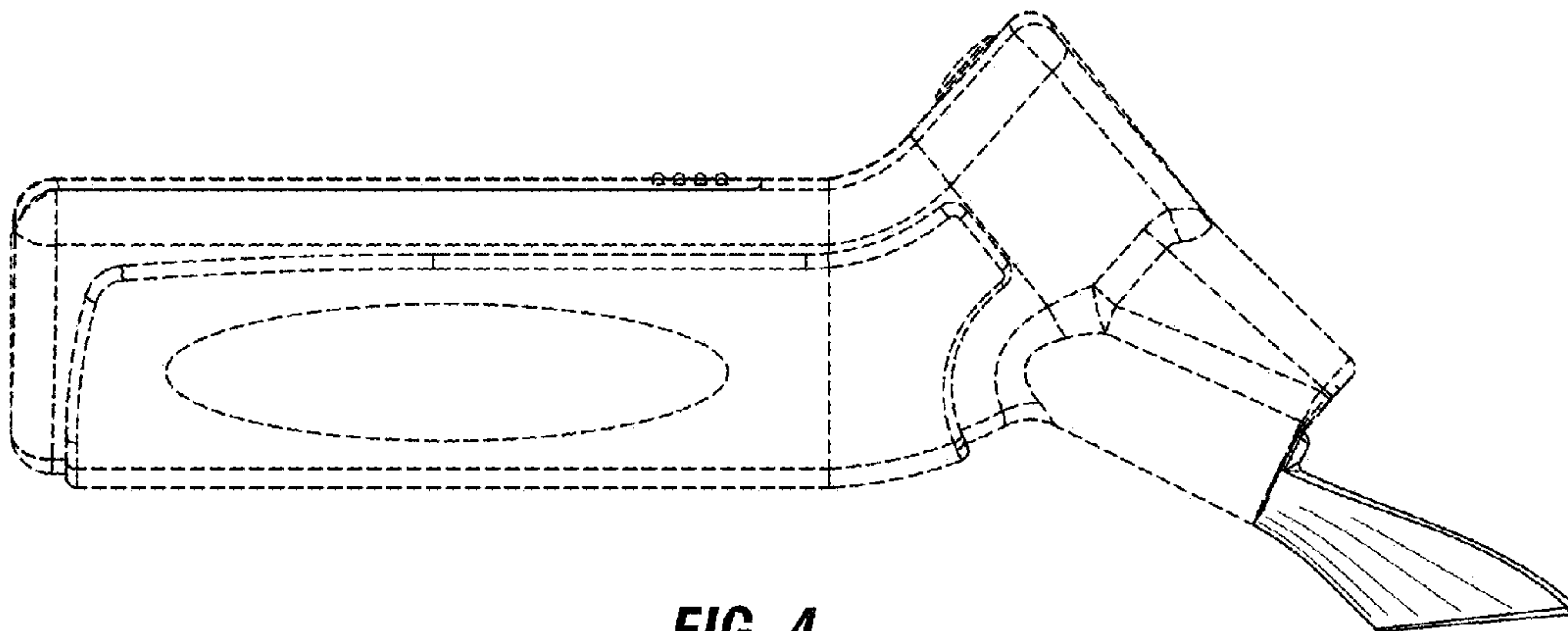


FIG. 4

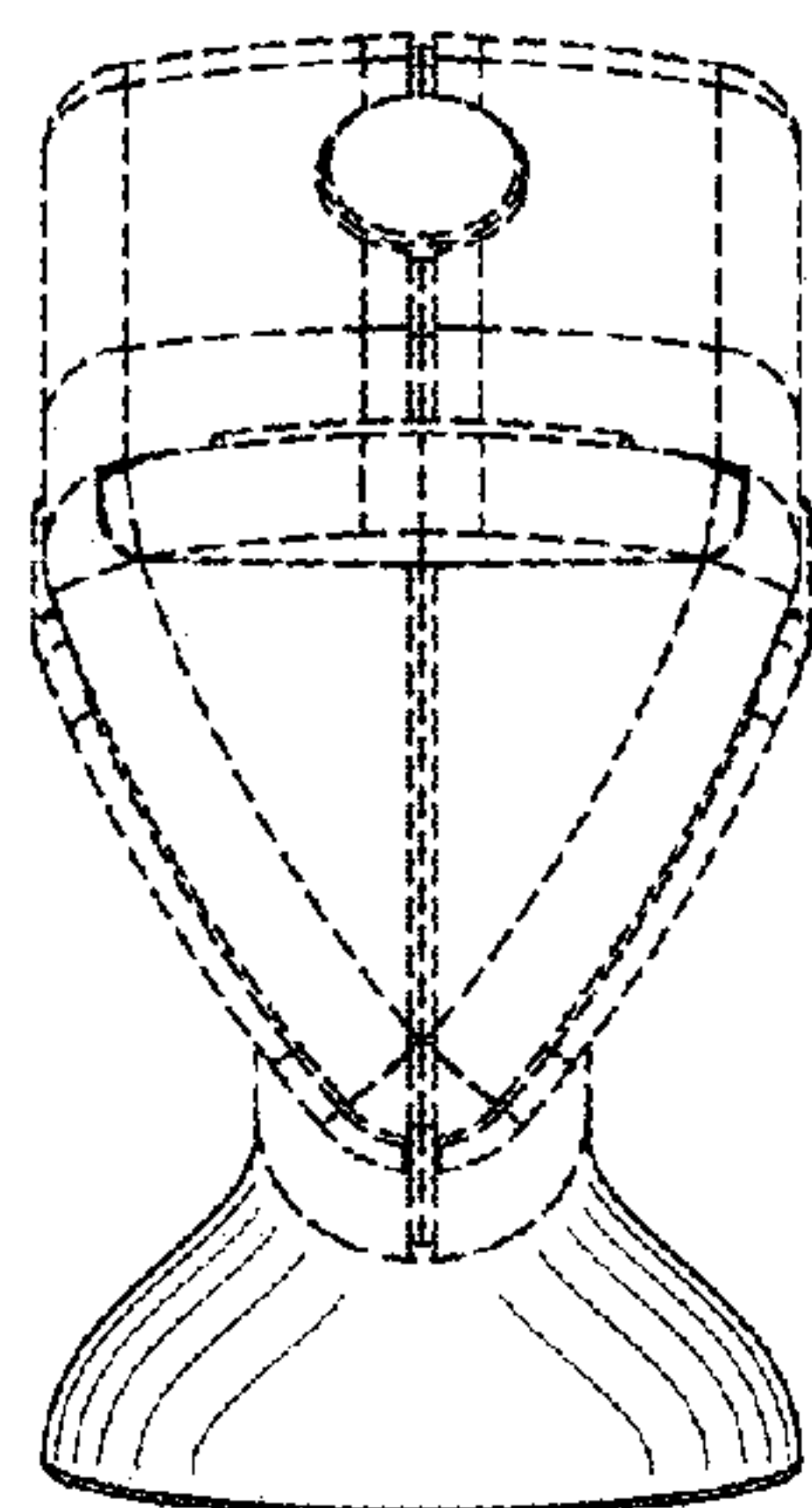


FIG. 5

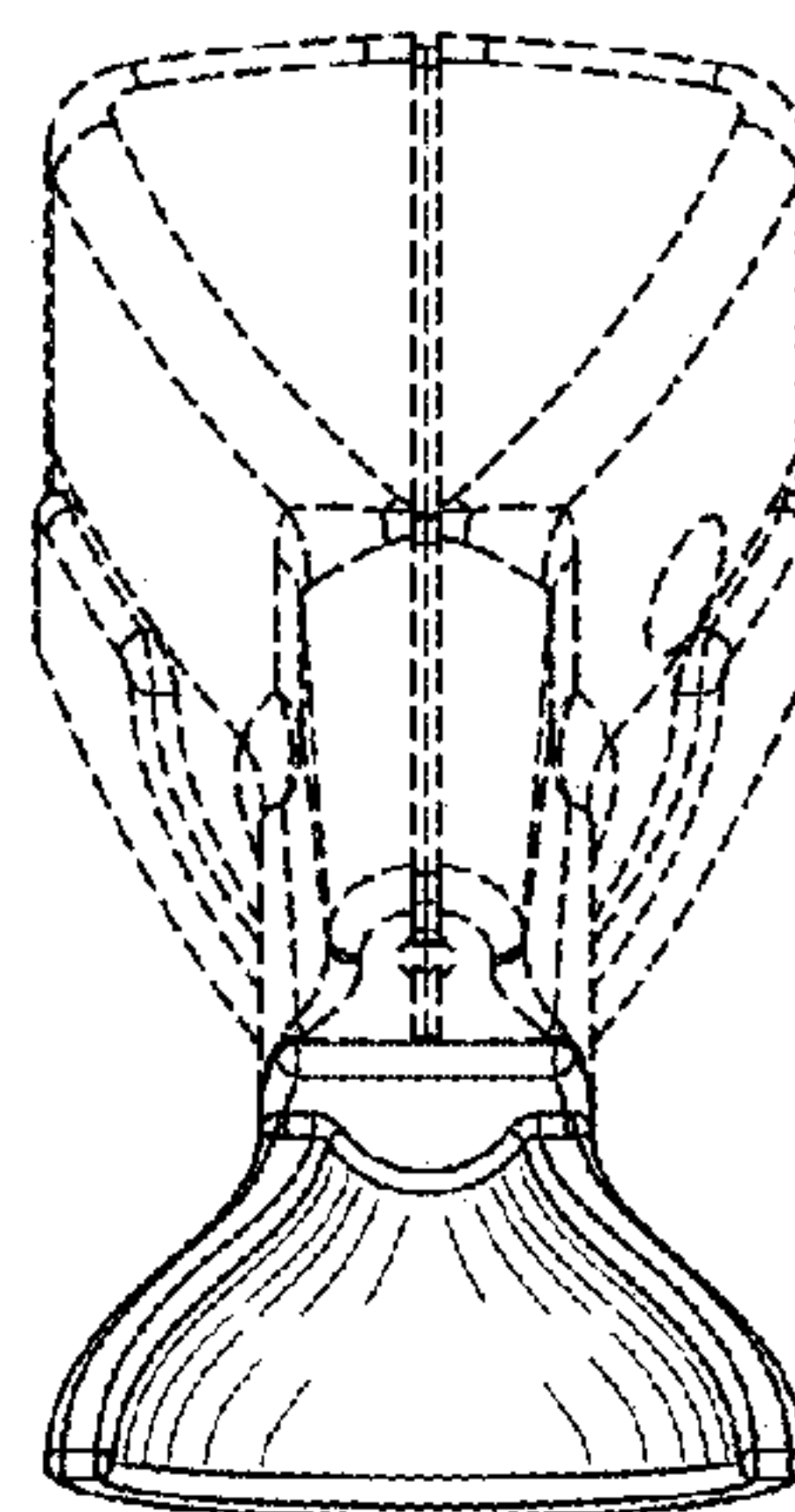


FIG. 6

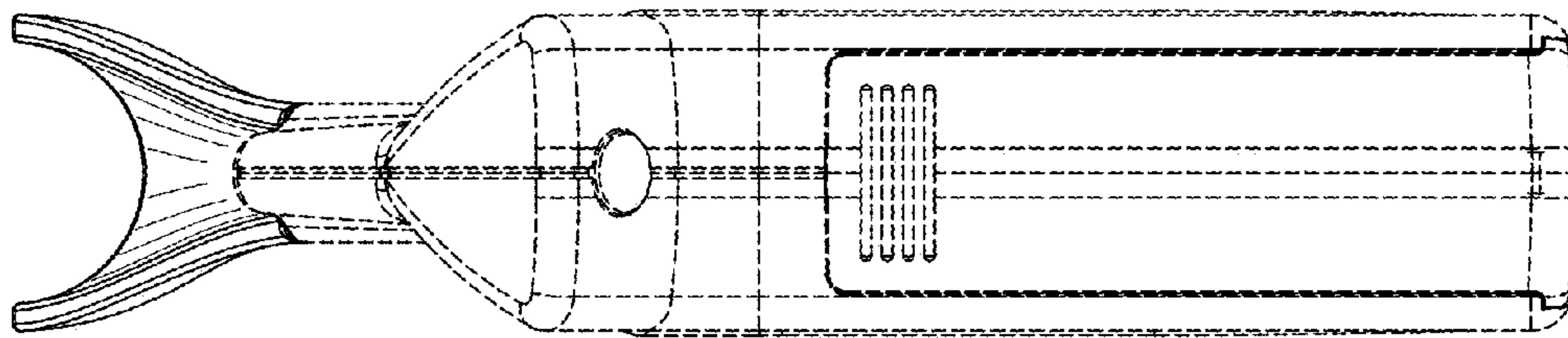


FIG. 7

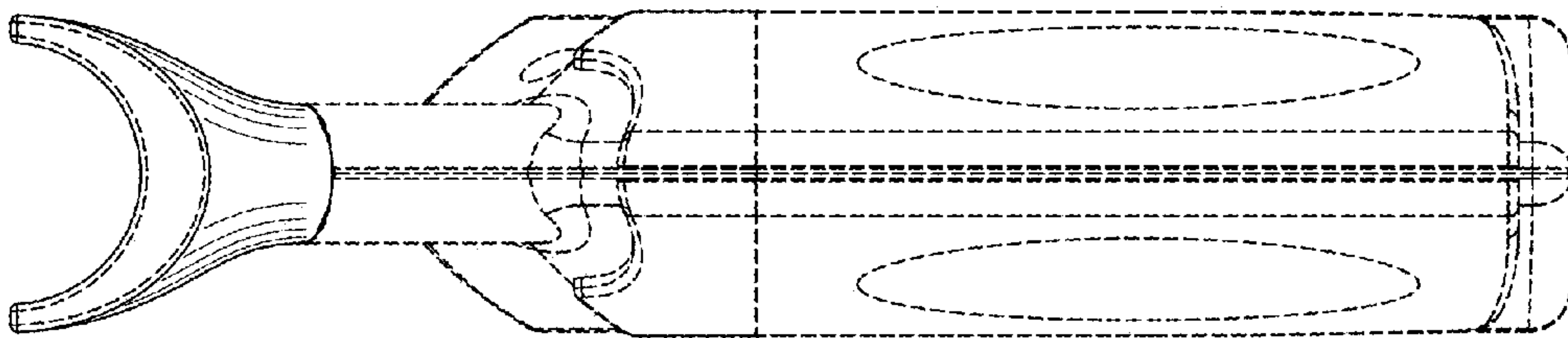


FIG. 8