



US00D710019S

(12) **United States Design Patent**
Kim

(10) **Patent No.:** **US D710,019 S**
(45) **Date of Patent:** **** Jul. 29, 2014**

- (54) **CAP TYPE BRACE**
- (71) Applicant: **Jae-Hoon Kim**, Seoul (KR)
- (72) Inventor: **Jae-Hoon Kim**, Seoul (KR)
- (**) Term: **14 Years**
- (21) Appl. No.: **29/461,441**
- (22) Filed: **Jul. 23, 2013**
- (51) **LOC (10) Cl.** **24-01**
- (52) **U.S. Cl.**
USPC **D24/190**
- (58) **Field of Classification Search**
USPC D24/188-192; 602/1, 4-8, 13, 16, 19,
602/20, 26, 41, 54, 60-62, 65; 128/112.1,
128/115.1, 876, 892, 894; 2/24, 255, 257,
2/455, 459, 460
See application file for complete search history.

7,762,973	B2 *	7/2010	Einarsson et al.	602/26
7,882,568	B2 *	2/2011	Fee	2/24
D647,207	S *	10/2011	Buck	D24/185
D694,550	S *	12/2013	Calkins	D6/582
2002/0077575	A1 *	6/2002	Cox	602/26
2004/0087884	A1 *	5/2004	Haddock et al.	602/41
2008/0082031	A1 *	4/2008	Nathanson	602/16
2009/0126087	A1 *	5/2009	Armstrong et al.	2/455
2010/0242157	A1 *	9/2010	Littell	2/257
2012/0184886	A1 *	7/2012	Huber et al.	602/5

* cited by examiner

Primary Examiner — Eric Goodman
Assistant Examiner — Jennifer Watkins
(74) *Attorney, Agent, or Firm* — Novick, Kim & Lee, PLLC;
Jae Youn Kim

(57) **CLAIM**
I claim the ornamental design for a cap type brace, substantially as shown and described.

DESCRIPTION

FIG. 1 is a perspective view of a cap type brace in accordance with the present design;
FIG. 2 is a front view thereof;
FIG. 3 is a rear view thereof;
FIG. 4 is a left side view thereof;
FIG. 5 is a right side view thereof;
FIG. 6 is a top view thereof; and,
FIG. 7 is a bottom view thereof.

1 Claim, 4 Drawing Sheets

- (56) **References Cited**
U.S. PATENT DOCUMENTS
2,373,802 A * 4/1945 Anderson 602/8
3,965,486 A * 6/1976 Lightbody 2/24
5,947,916 A * 9/1999 Riedlinger 602/5
D521,644 S * 5/2006 Nordt et al. D24/190
39,203 A1 * 1/2007 Wang 2/24
D577,155 S * 9/2008 Hauser D29/114
D608,453 S * 1/2010 Arbesman et al. D24/189
7,725,951 B2 * 6/2010 Rampersad 2/24

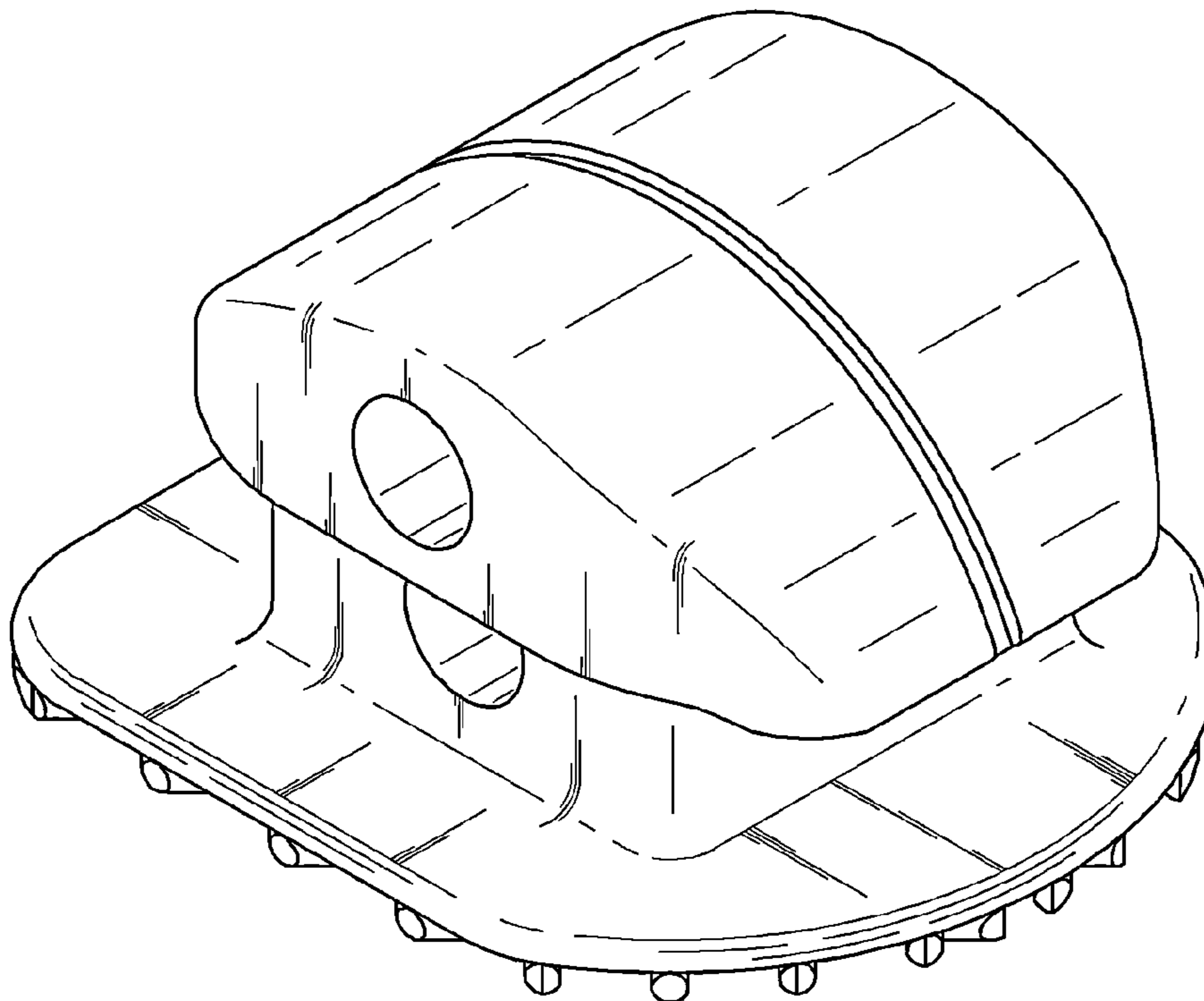


Fig. 1

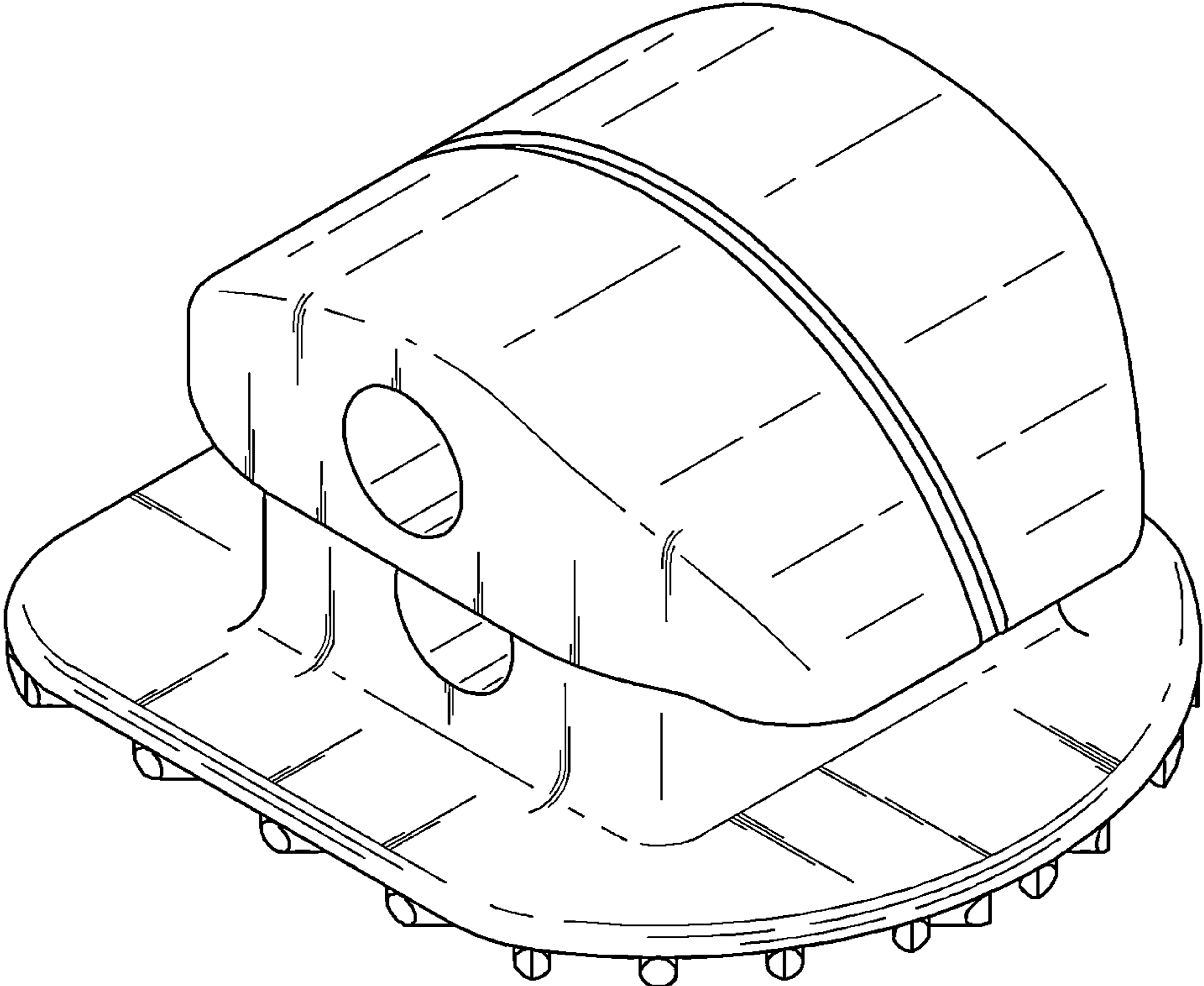


Fig. 2

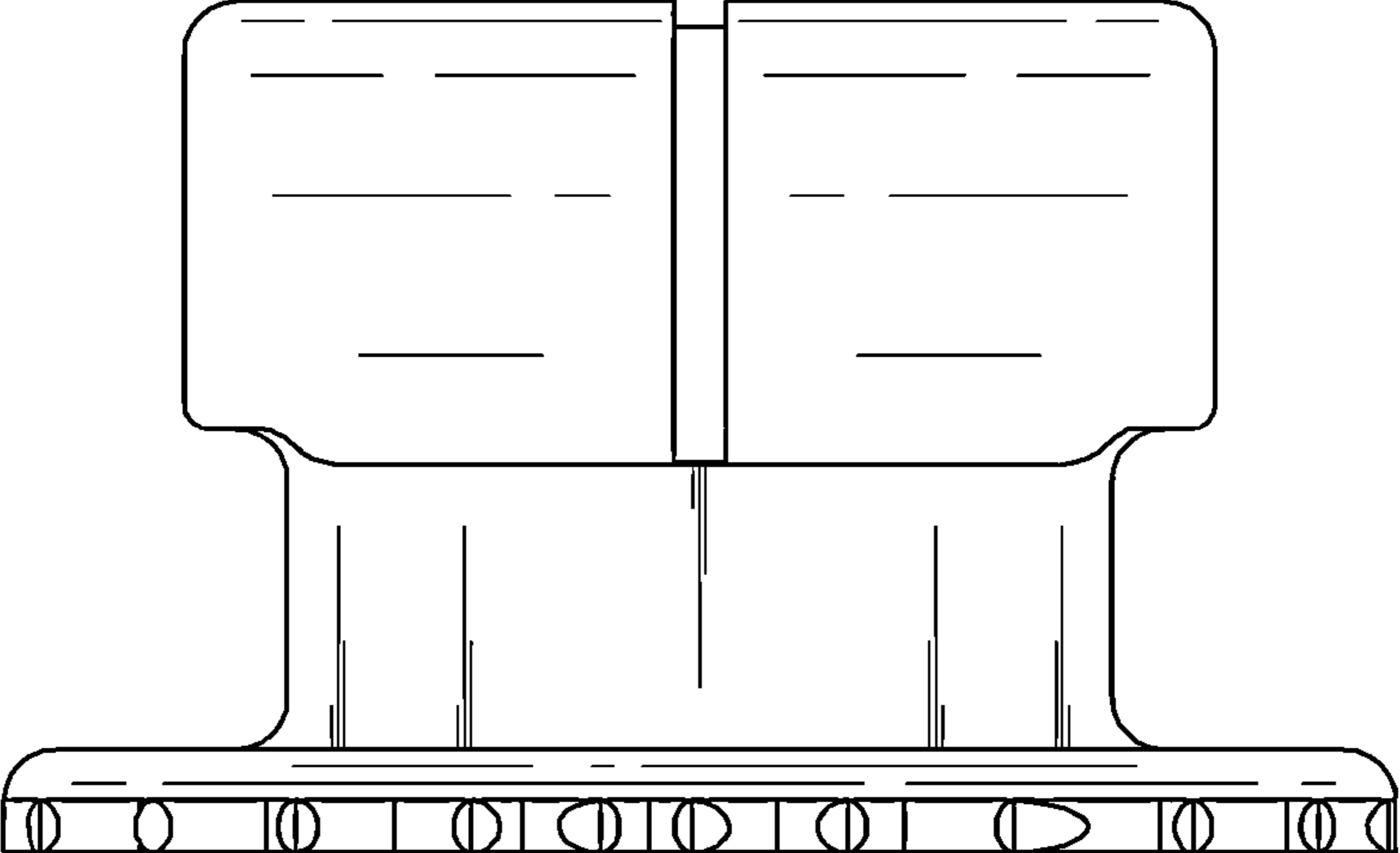


Fig. 3

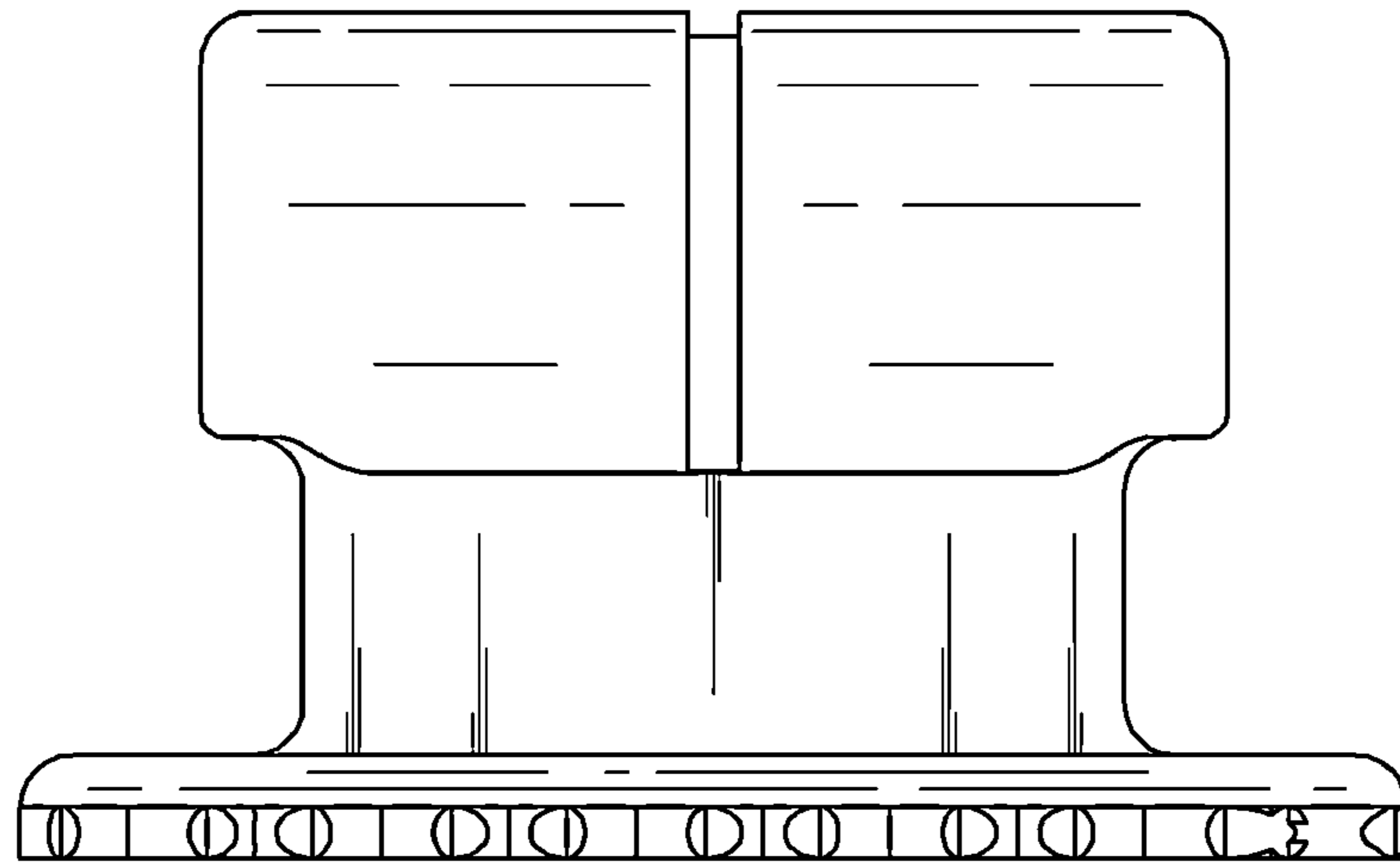


Fig. 4

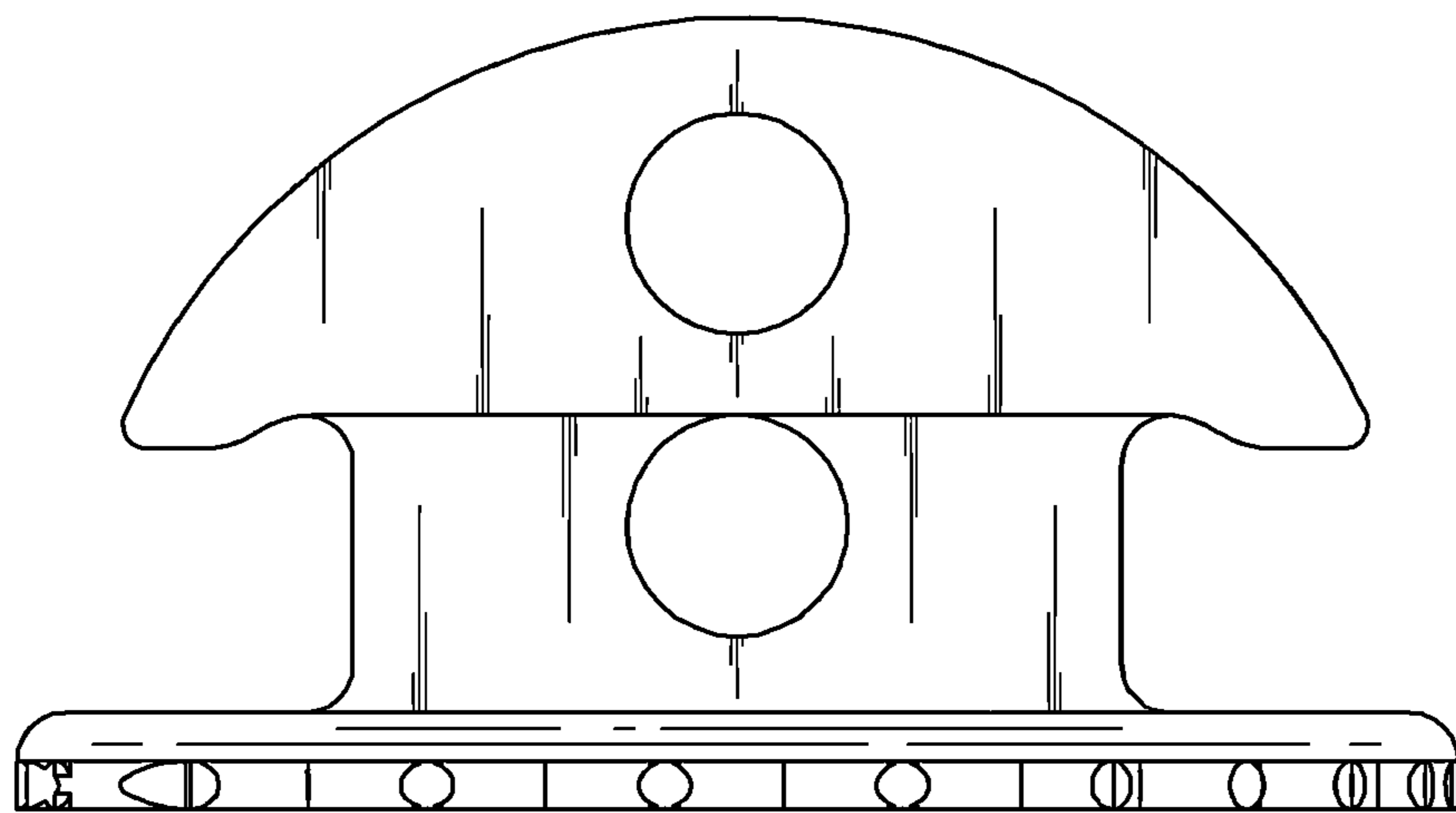


Fig. 5

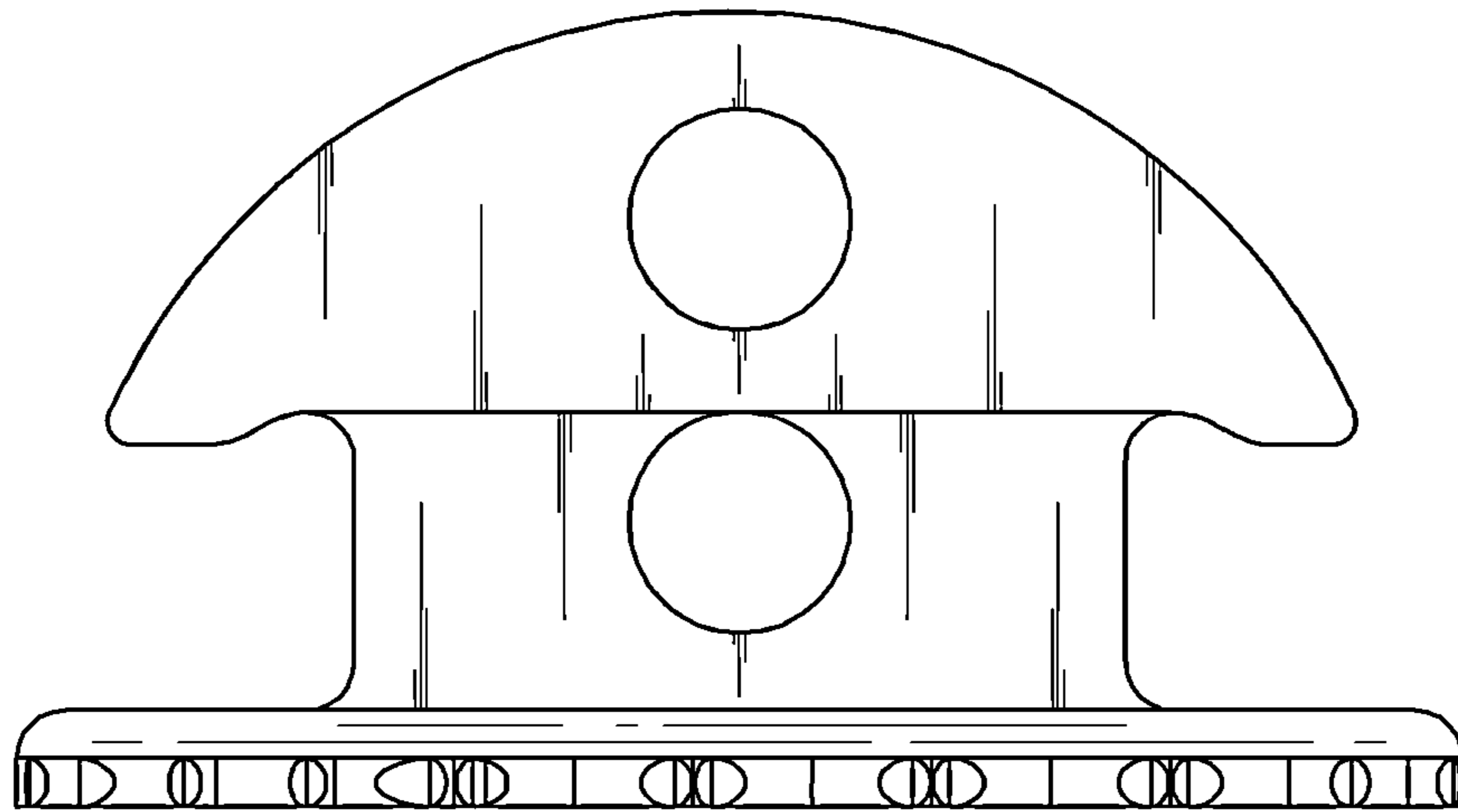


Fig. 6

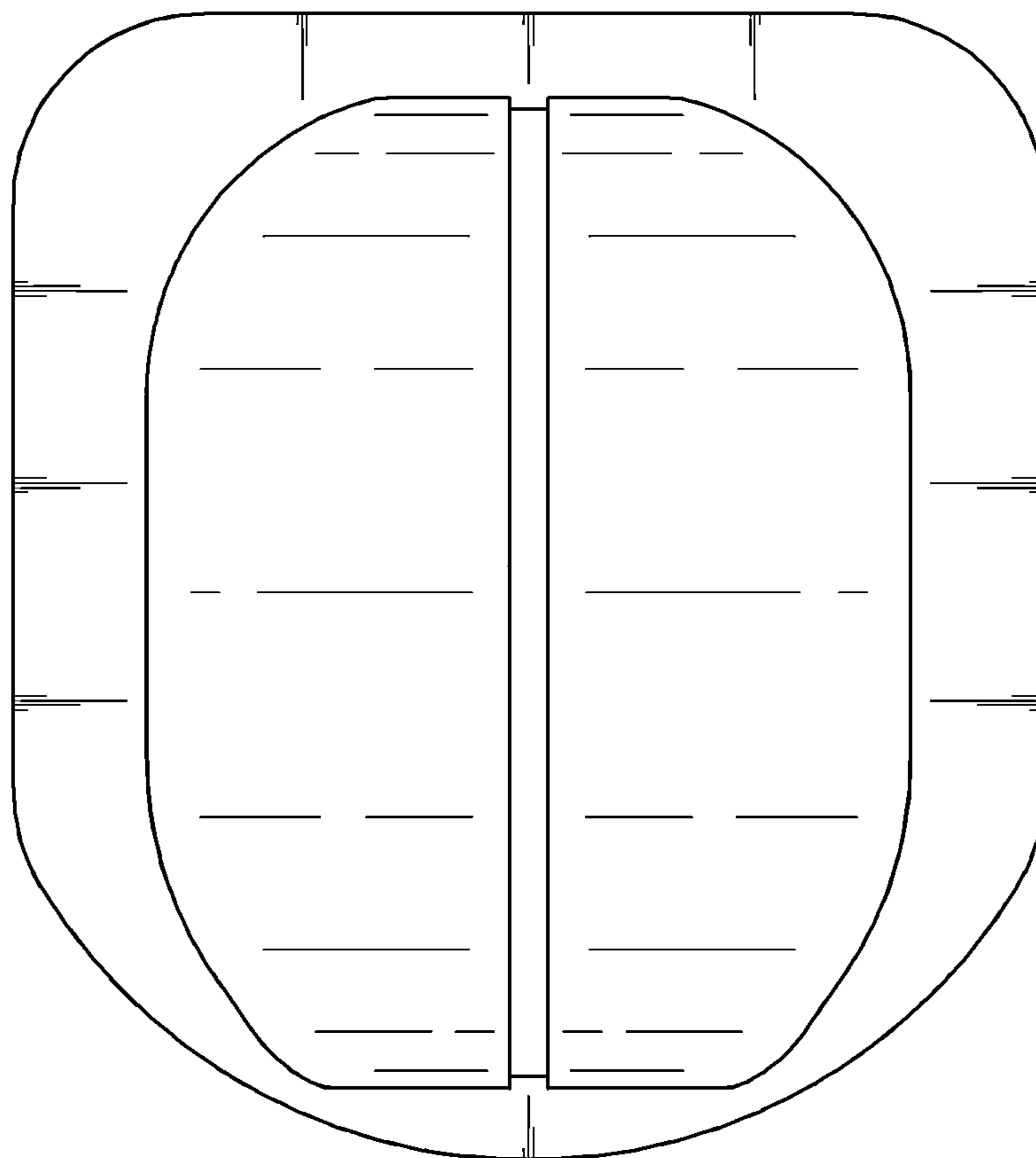


Fig. 7

