



US00D710016S

(12) **United States Design Patent**
Estes

(10) **Patent No.:** **US D710,016 S**
(45) **Date of Patent:** **** Jul. 29, 2014**

- (54) **ANESTHESIA SCREEN**
- (71) Applicant: **Stephanie J. Estes**, Hummelstown, PA (US)
- (72) Inventor: **Stephanie J. Estes**, Hummelstown, PA (US)
- (73) Assignee: **The Penn State Research Foundation**, University Park, PA (US)

D333,404	S	2/1993	Thompson	
5,362,021	A *	11/1994	Phillips	248/276.1
5,396,903	A *	3/1995	Pruitt	5/636
D373,921	S	9/1996	Christofel et al.	
5,592,952	A *	1/1997	Bohn	128/849
6,269,815	B1 *	8/2001	Jascomb	128/853
6,739,006	B2 *	5/2004	Borders et al.	5/622
8,459,265	B2 *	6/2013	Young et al.	128/850
2003/0101512	A1	6/2003	Haltiner et al.	
2008/0173314	A1 *	7/2008	Brown	128/849

- (**) Term: **14 Years**
- (21) Appl. No.: **29/464,404**
- (22) Filed: **Aug. 15, 2013**

Related U.S. Application Data

- (63) Continuation of application No. 29/447,055, filed on Feb. 28, 2013.
- (51) **LOC (10) CL.** **24-01**
- (52) **U.S. CL.**
USPC **D24/184**
- (58) **Field of Classification Search**
USPC D24/183, 184, 231, 188-189, 127;
D2/720, 860; D6/602, 596; 5/636-639,
5/622, 648, 658, 507.1; 128/843-856;
248/201, 276.1, 291.1, 124.1; 602/23
See application file for complete search history.

(56) **References Cited**

U.S. PATENT DOCUMENTS

3,347,544	A *	10/1967	Uffenorde	128/845
3,623,616	A	11/1971	Engelsher	
4,113,218	A *	9/1978	Linder	248/291.1
4,384,573	A *	5/1983	Elliott	128/853
D288,853	S *	3/1987	Hanssen et al.	D6/602
5,111,808	A *	5/1992	Meals	602/23
5,152,486	A *	10/1992	Kabaneck et al.	248/201

OTHER PUBLICATIONS

Medicus Surgical, Faceguard Head Shield, <http://www.medicus-surgical.com/VIDEO.html> (accessed Aug. 15, 2013).

* cited by examiner

Primary Examiner — T. Chase Nelson

Assistant Examiner — Mark Cavanna

(74) *Attorney, Agent, or Firm* — Hodgson Russ LLP

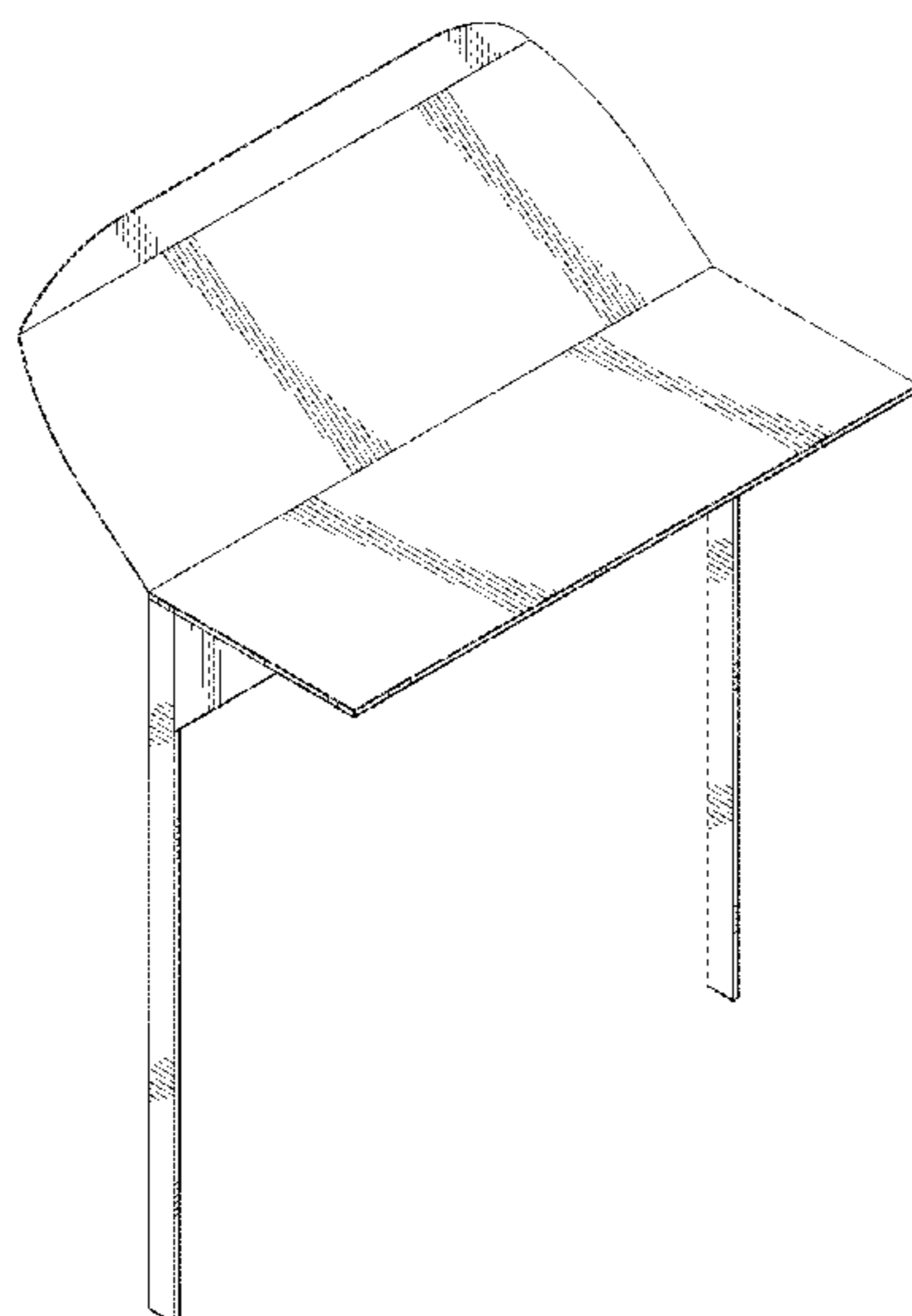
(57) **CLAIM**

The ornamental design for an anesthesia screen, as shown and described.

DESCRIPTION

FIG. 1 is a perspective view of an anesthesia screen showing my new design;
 FIG. 2 is a front view thereof;
 FIG. 3 is a left side thereof, which is symmetrical with a right side thereof;
 FIG. 4 is a rear view thereof
 FIG. 5 is a top view thereof;
 FIG. 6 is a bottom view thereof; and,
 FIG. 7 is a perspective view thereof showing the anesthesia screen in an exemplary environment.
 The broken lines illustrate environmental features and form no part of the claimed design.

1 Claim, 4 Drawing Sheets



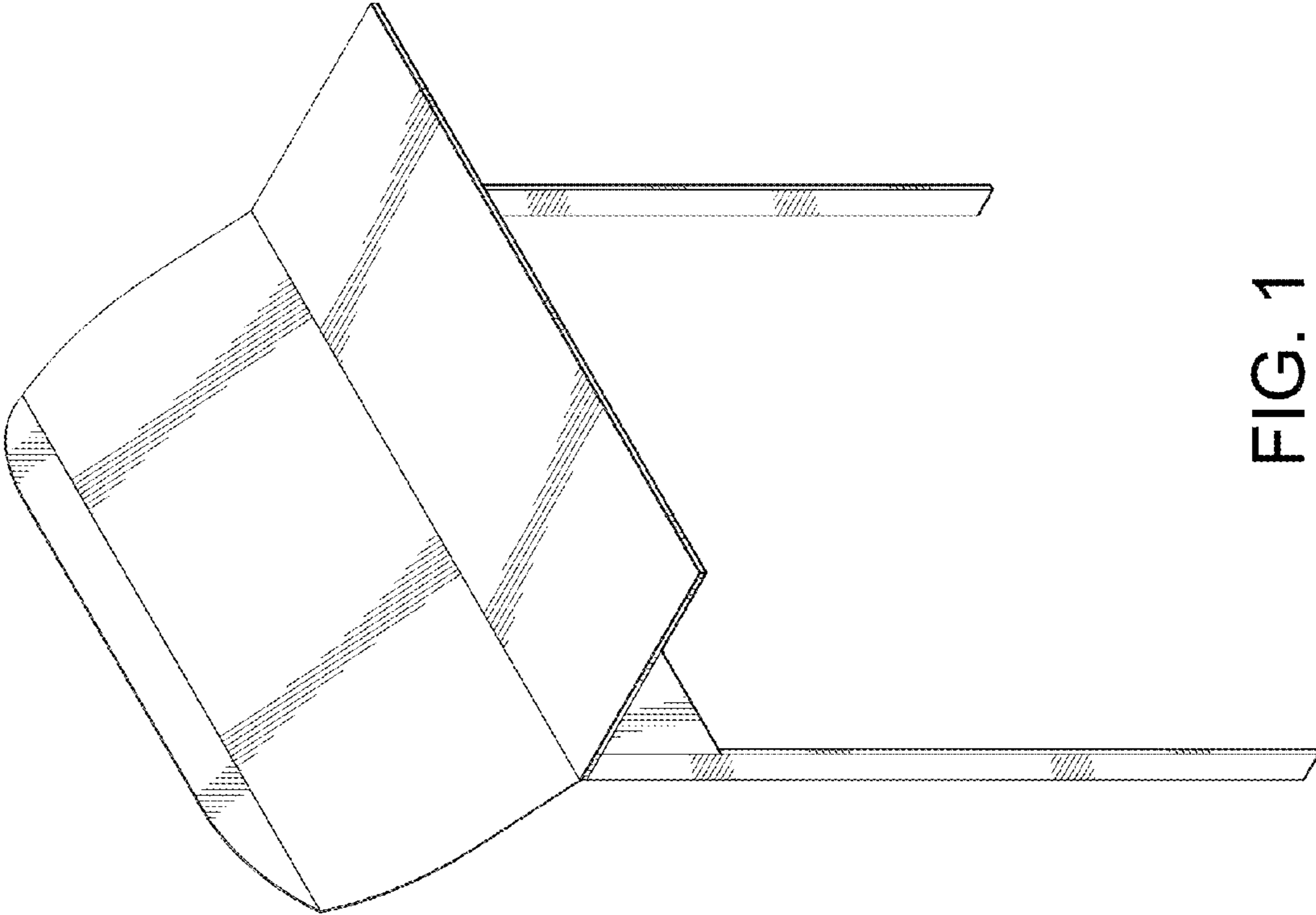


FIG. 1

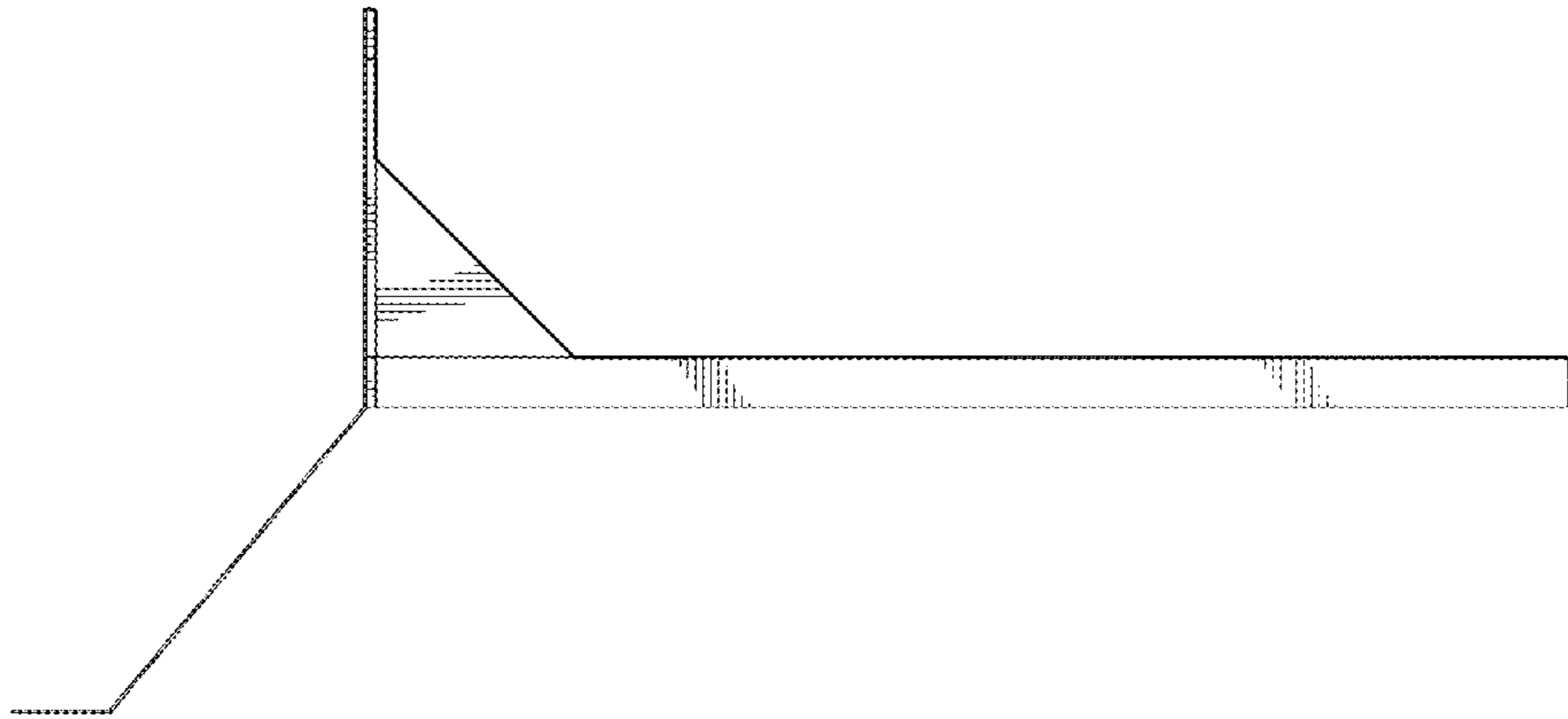


FIG. 3

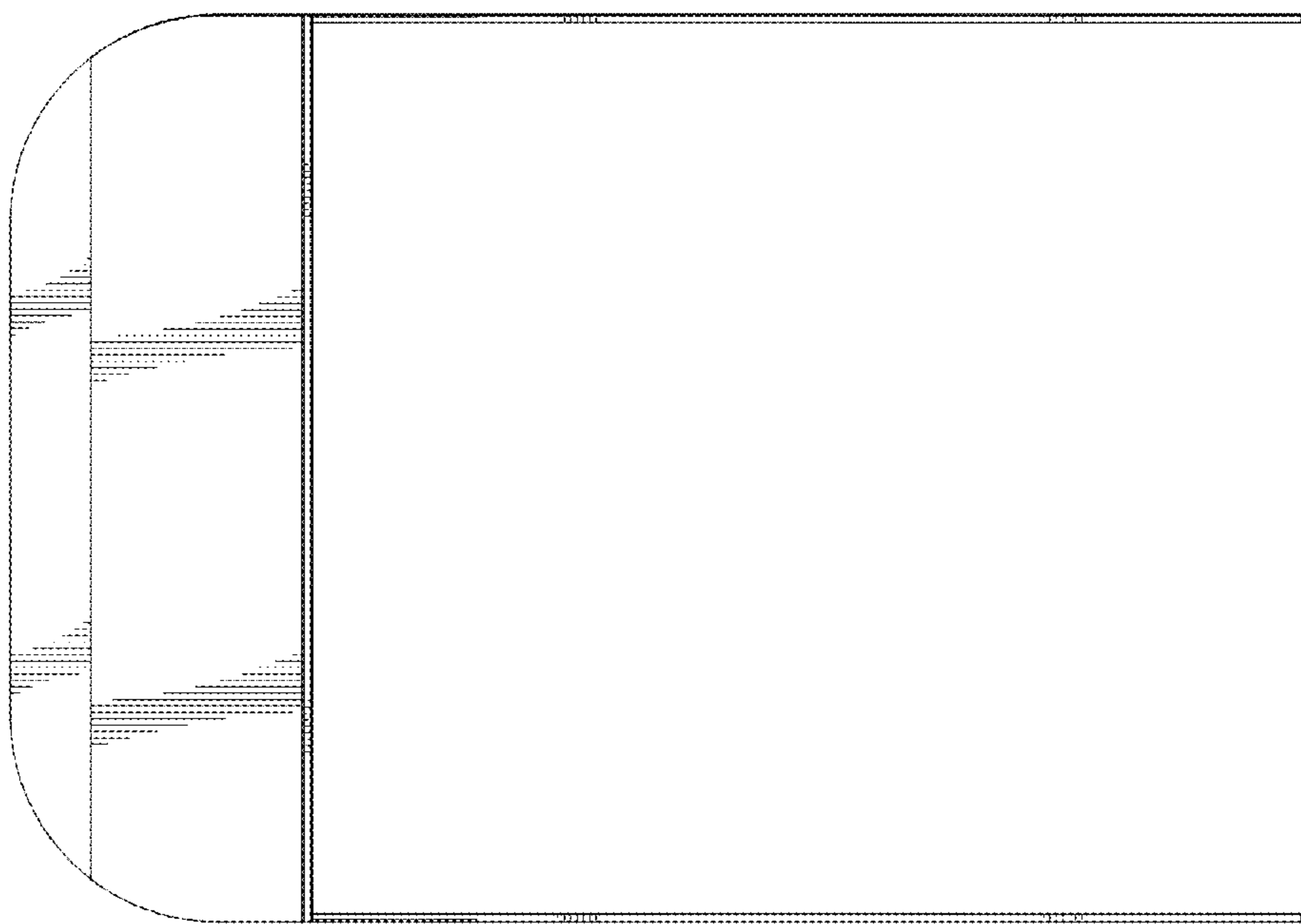


FIG. 2

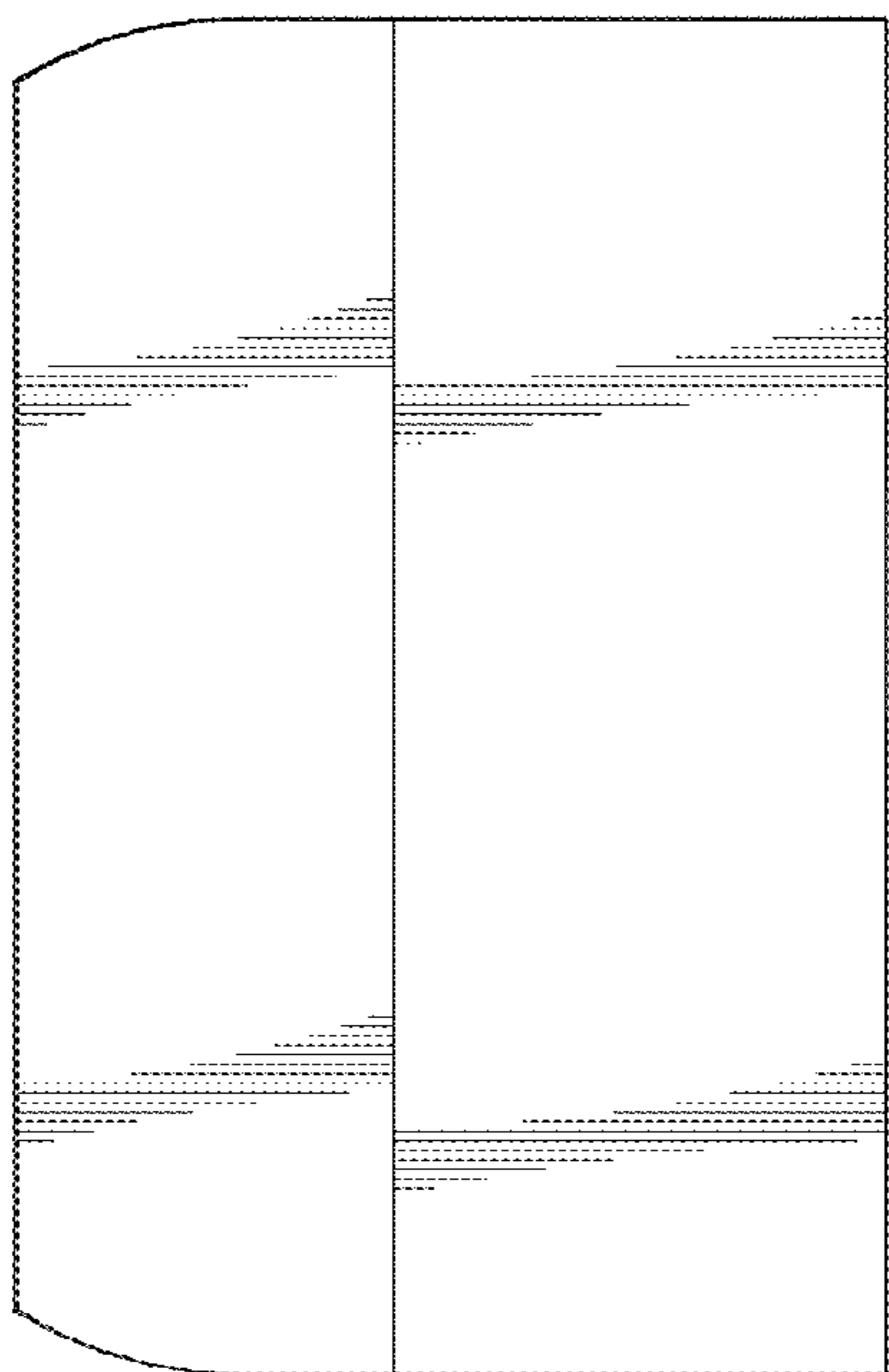


FIG. 5

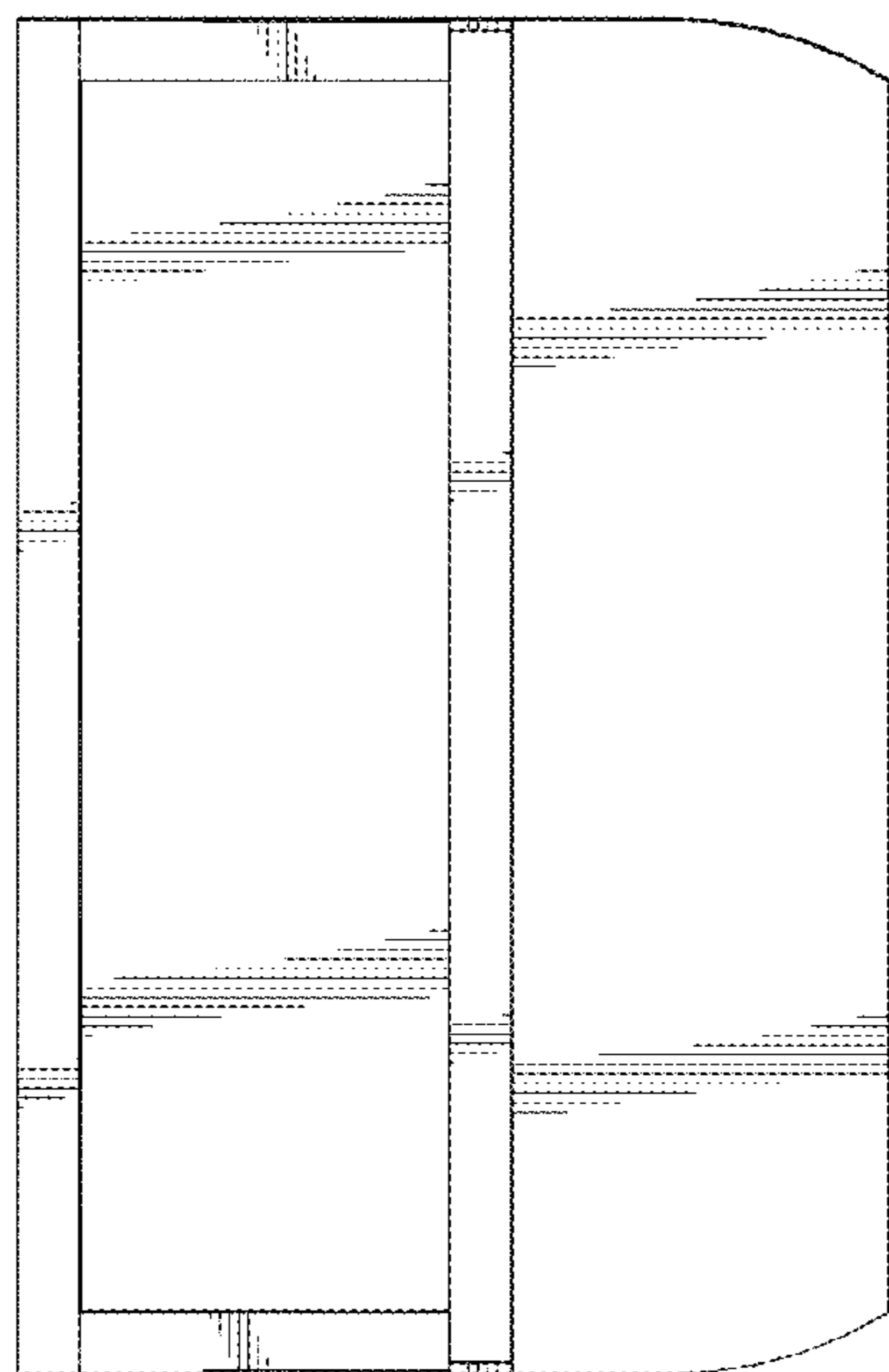


FIG. 6

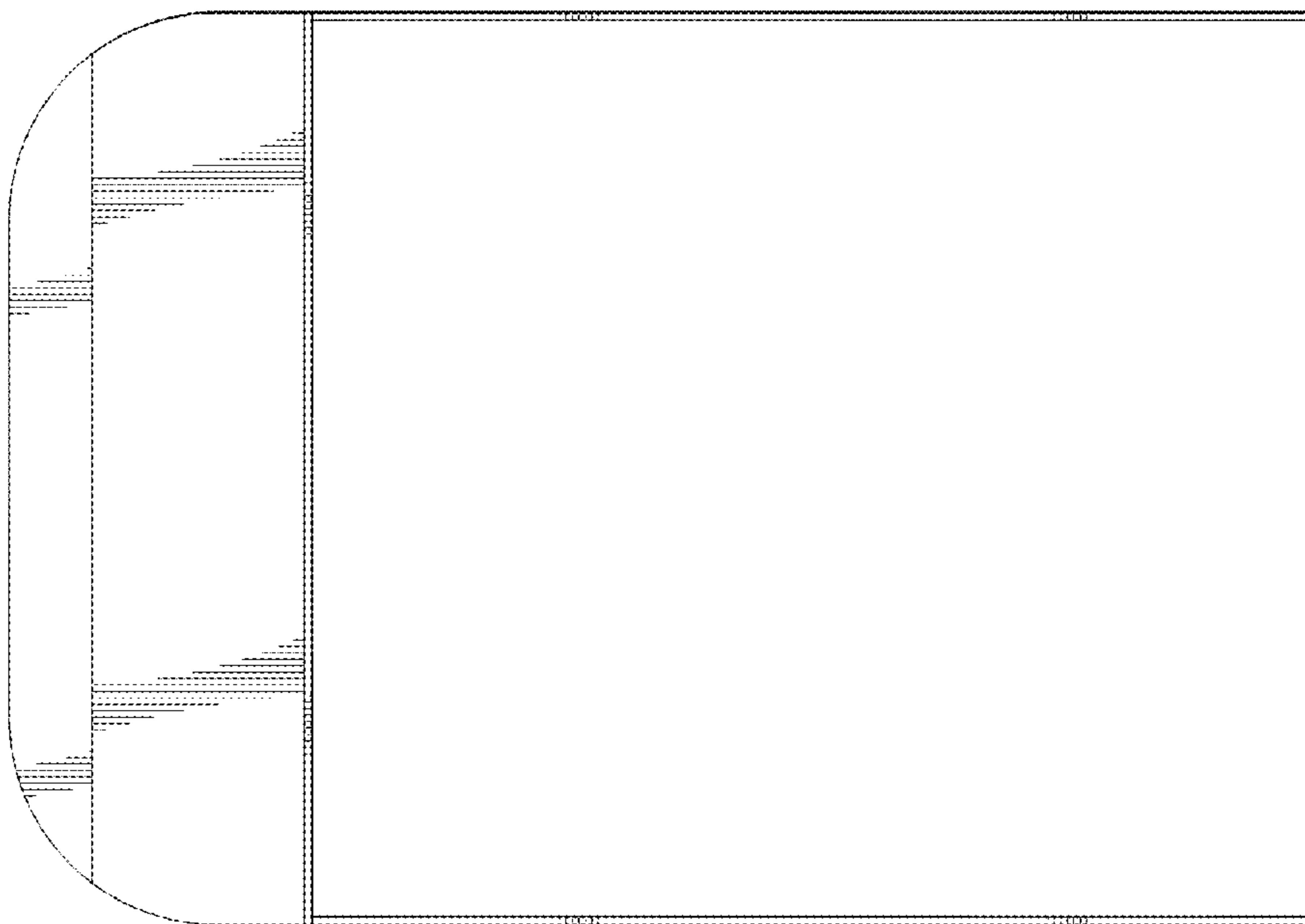


FIG. 4

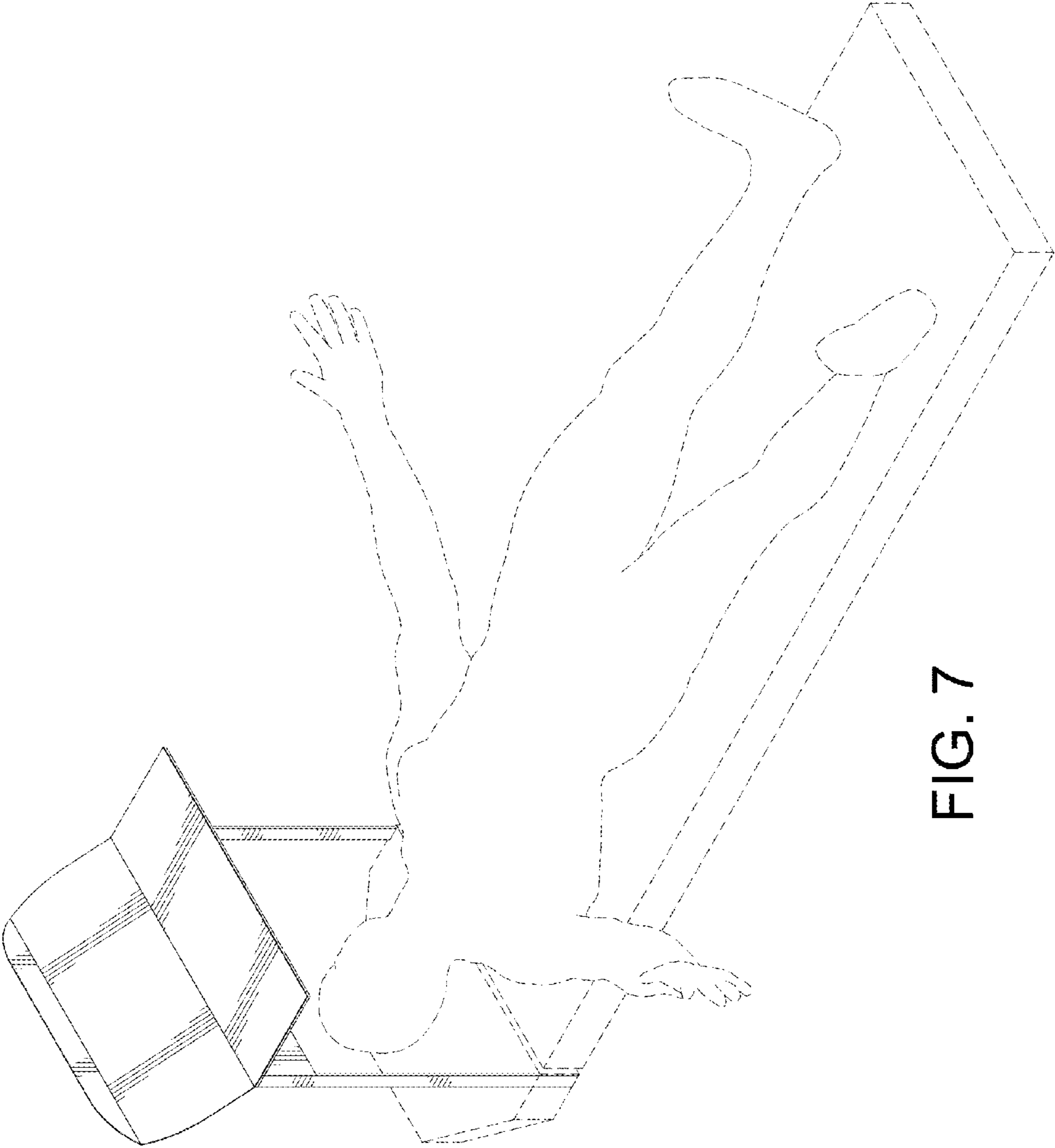


FIG. 7