



US00D710012S

(12) **United States Design Patent**
Polhamus

(10) **Patent No.:** **US D710,012 S**
(45) **Date of Patent:** **** Jul. 29, 2014**

(54) **MOBILE X-RAY SYSTEM**

(75) Inventor: **Jonathan Robert Polhamus**, Waukesha, WI (US)

(73) Assignee: **General Electric Company**, Schenectady, NY (US)

(**) Term: **14 Years**

(21) Appl. No.: **29/407,187**

(22) Filed: **Nov. 23, 2011**

(51) **LOC (10) Cl.** **24-01**

(52) **U.S. Cl.**
USPC **D24/158**

(58) **Field of Classification Search**
USPC D24/158-161, 185, 186; 378/4, 15, 17, 378/20, 21, 23-27, 62, 68, 146, 195-198
See application file for complete search history.

(56) **References Cited**

U.S. PATENT DOCUMENTS

D215,981 S *	11/1969	Schubert	D24/158
D273,892 S *	5/1984	Fenne et al.	D24/158
5,206,894 A *	4/1993	Makrinos et al.	378/93
D342,137 S *	12/1993	Guentner	D24/158
5,351,282 A *	9/1994	Kadowaki et al.	378/198
D568,481 S *	5/2008	Martinson	D24/185
D617,906 S *	6/2010	Nakahara et al.	D24/158
7,874,728 B2 *	1/2011	Fan	378/198
D657,875 S *	4/2012	Yanase et al.	D24/158
2006/0034427 A1 *	2/2006	Brooks	378/198
2007/0133753 A1 *	6/2007	Jakob et al.	378/198
2009/0202038 A1 *	8/2009	Wu et al.	378/62
2010/0329427 A1 *	12/2010	Takae et al.	378/98.5
2011/0249807 A1 *	10/2011	Dirisio et al.	378/198

* cited by examiner

Primary Examiner — Anhdao Doan

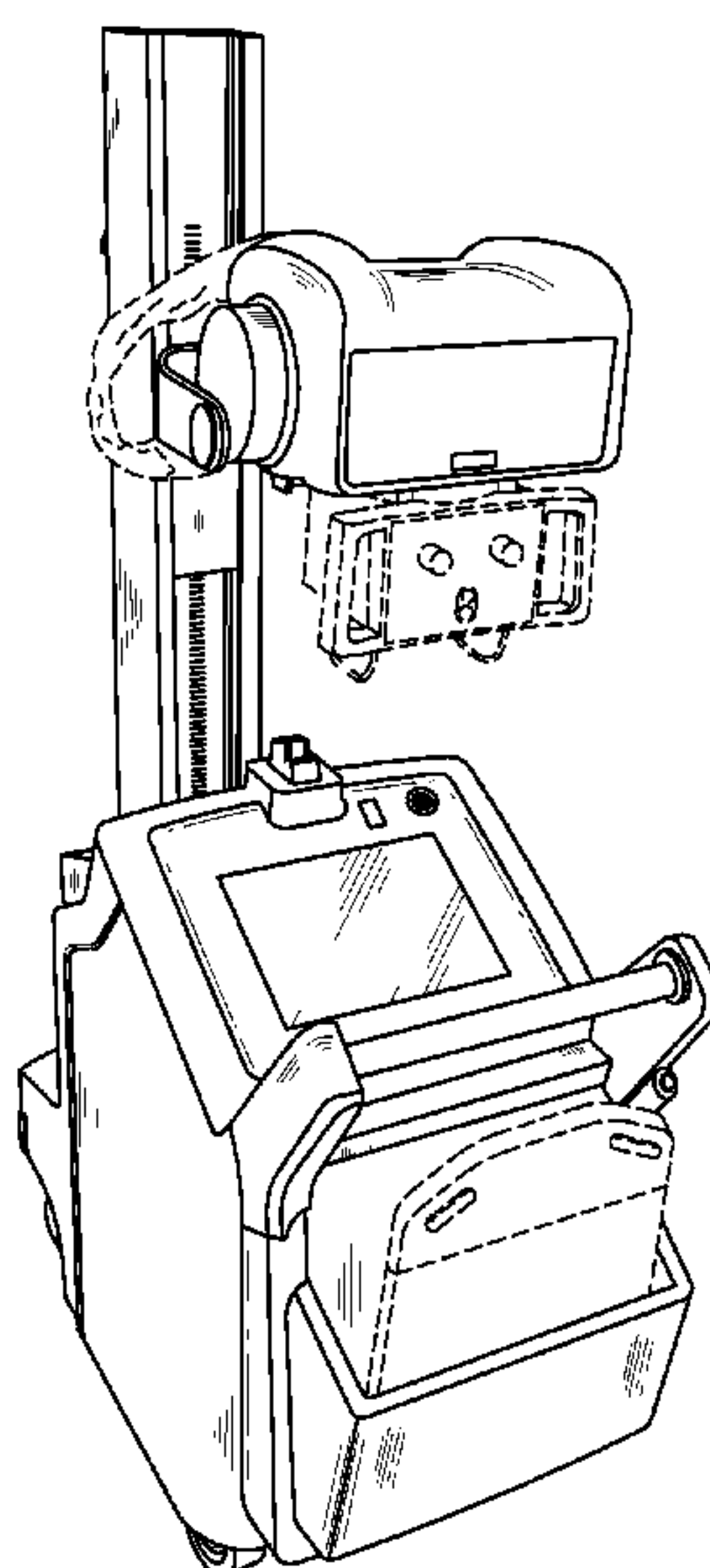
(74) *Attorney, Agent, or Firm* — The Small Patent Law Group; Dean D. Small

(57) **CLAIM**
The ornamental design for a mobile x-ray system, as shown and described.

DESCRIPTION

FIG. 1 is a front perspective view of a mobile x-ray system showing my new design including a bone x-ray design pattern disposed on the side of the mobile x-ray system; FIG. 2 is a side perspective view of the mobile x-ray system shown in FIG. 1; FIG. 3 is another side perspective view of the mobile x-ray system shown in FIG. 1. FIG. 4 is a front view of the mobile x-ray system shown in FIG. 1. FIG. 5 is a side view of the mobile x-ray system shown in FIG. 1. FIG. 6 is another side view of the mobile x-ray system shown in FIG. 1. FIG. 7 is a rear view of the mobile x-ray system shown in FIG. 1. FIG. 8 is rear perspective view of the mobile x-ray system shown in FIG. 1. FIG. 9 is still another rear perspective view of the mobile x-ray system shown in FIG. 1. FIG. 10 is top view of the mobile x-ray system shown in FIG. 1. FIG. 11 is another front perspective view of the mobile x-ray system shown in FIG. 1; and, FIG. 12 is still another front perspective view of the mobile x-ray system shown in FIG. 1 in a different operational position. The broken lines in the drawing views are included for the purpose of illustrating portions of the mobile x-ray system that form no part of the claimed design.

1 Claim, 12 Drawing Sheets



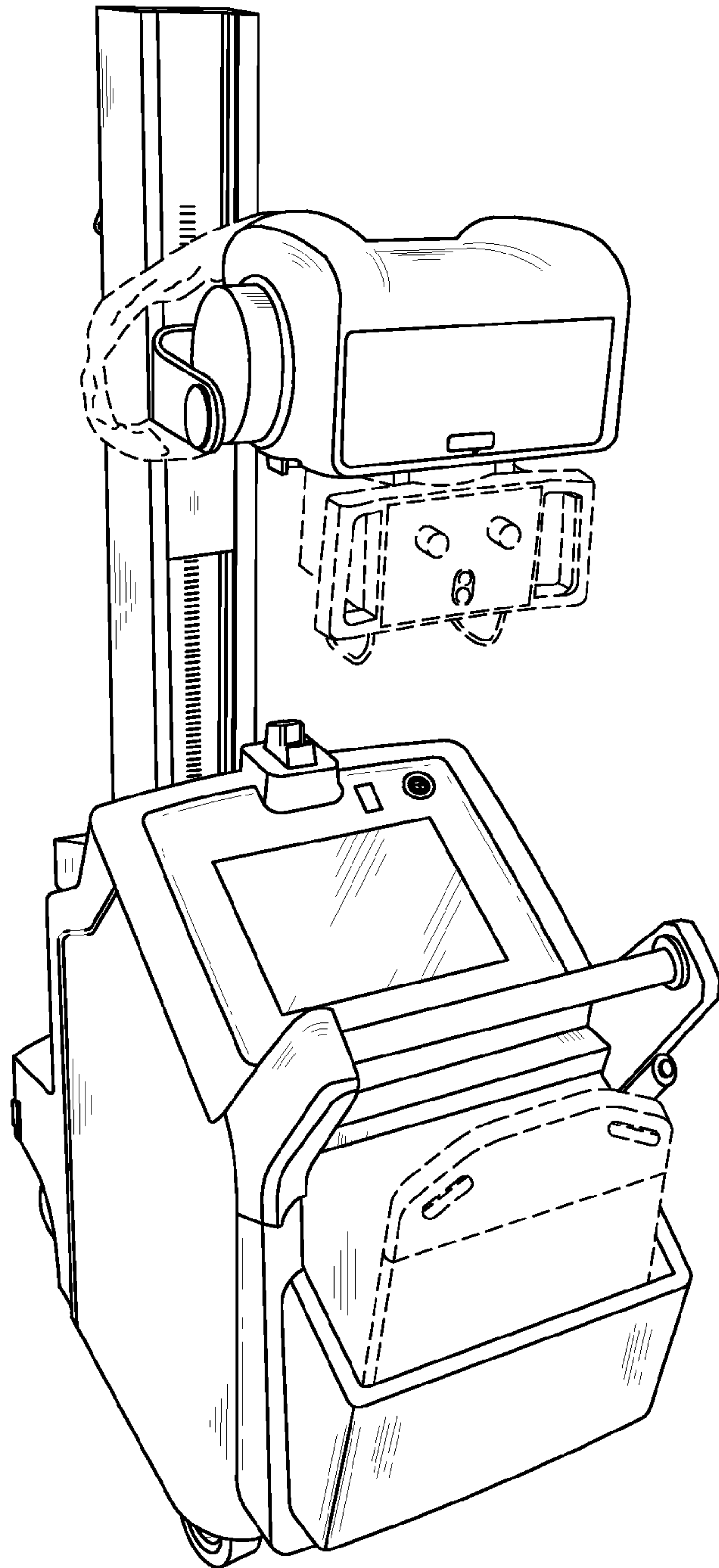


FIG. 1

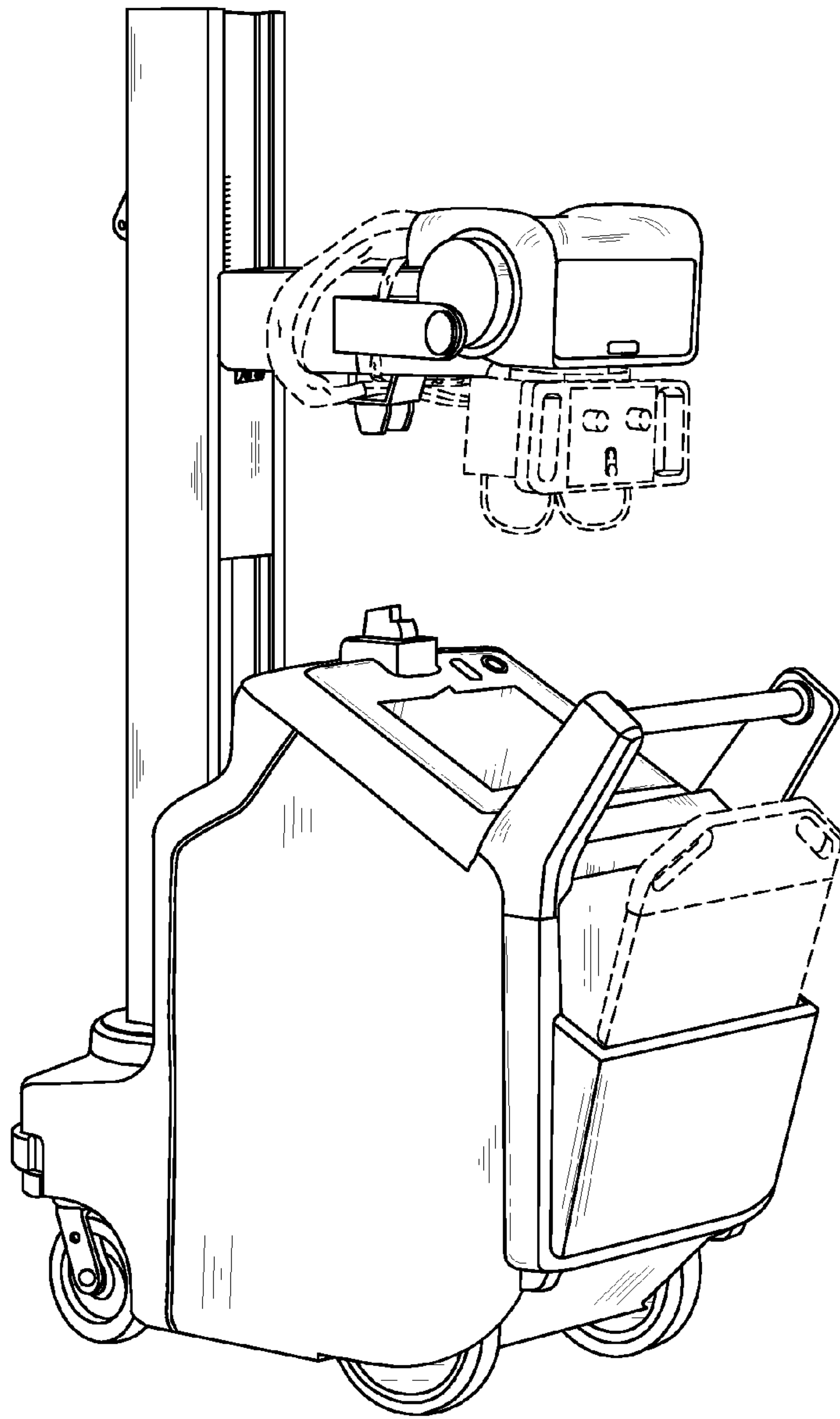


FIG. 2

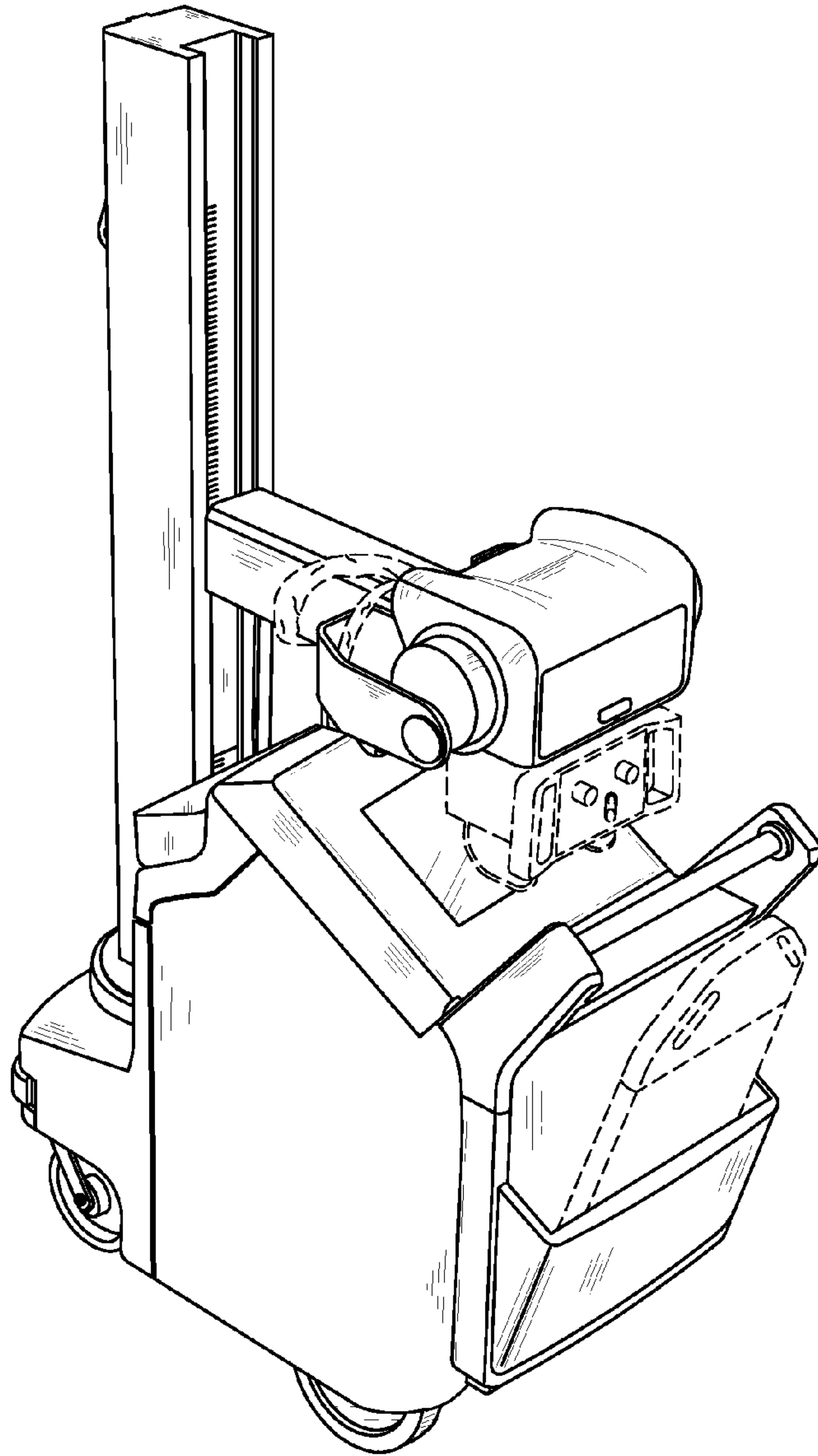


FIG. 3

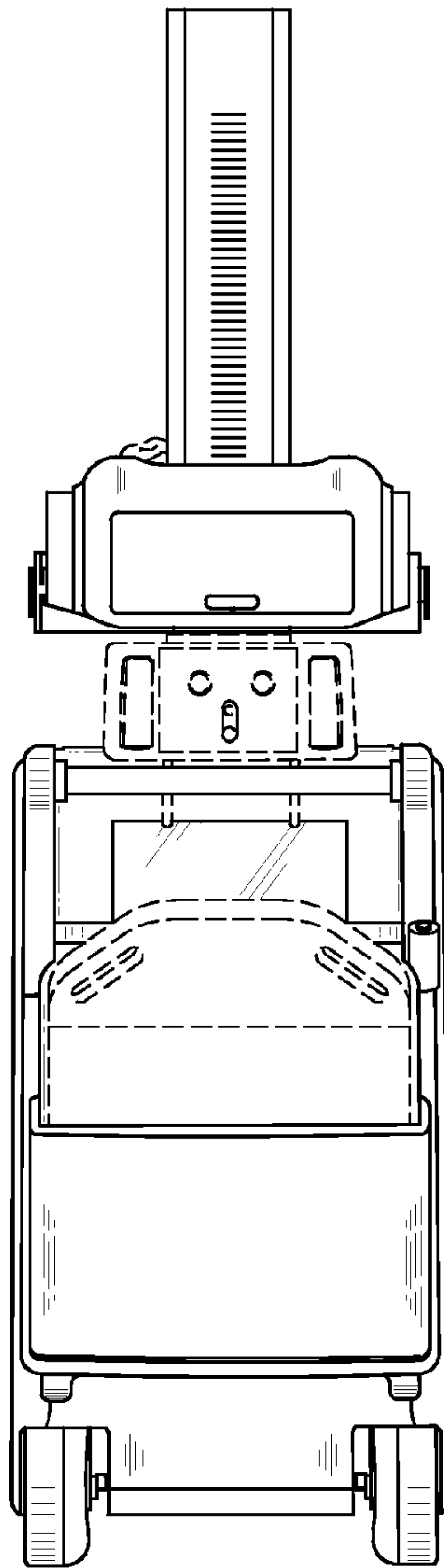


FIG. 4

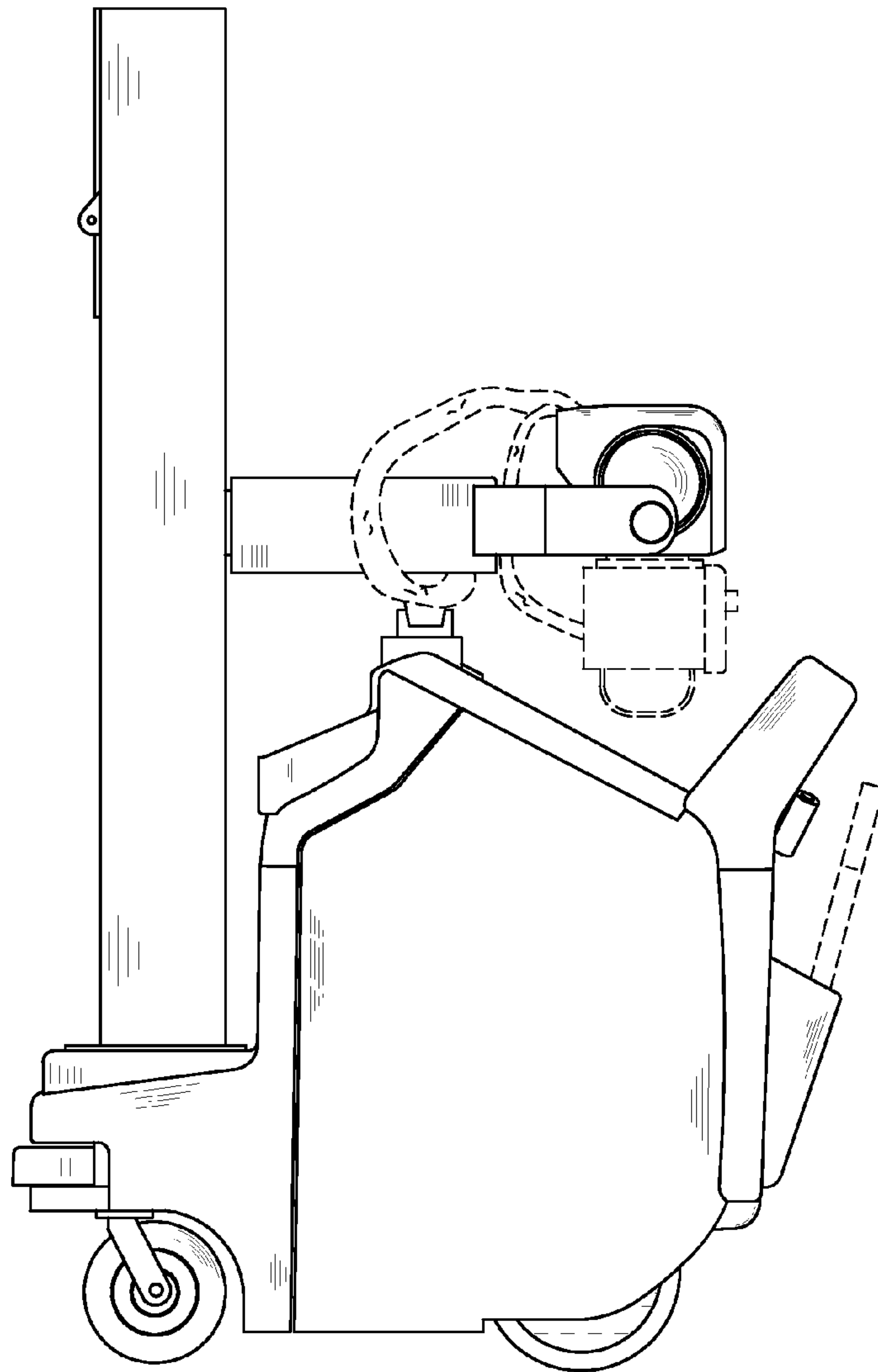


FIG. 5

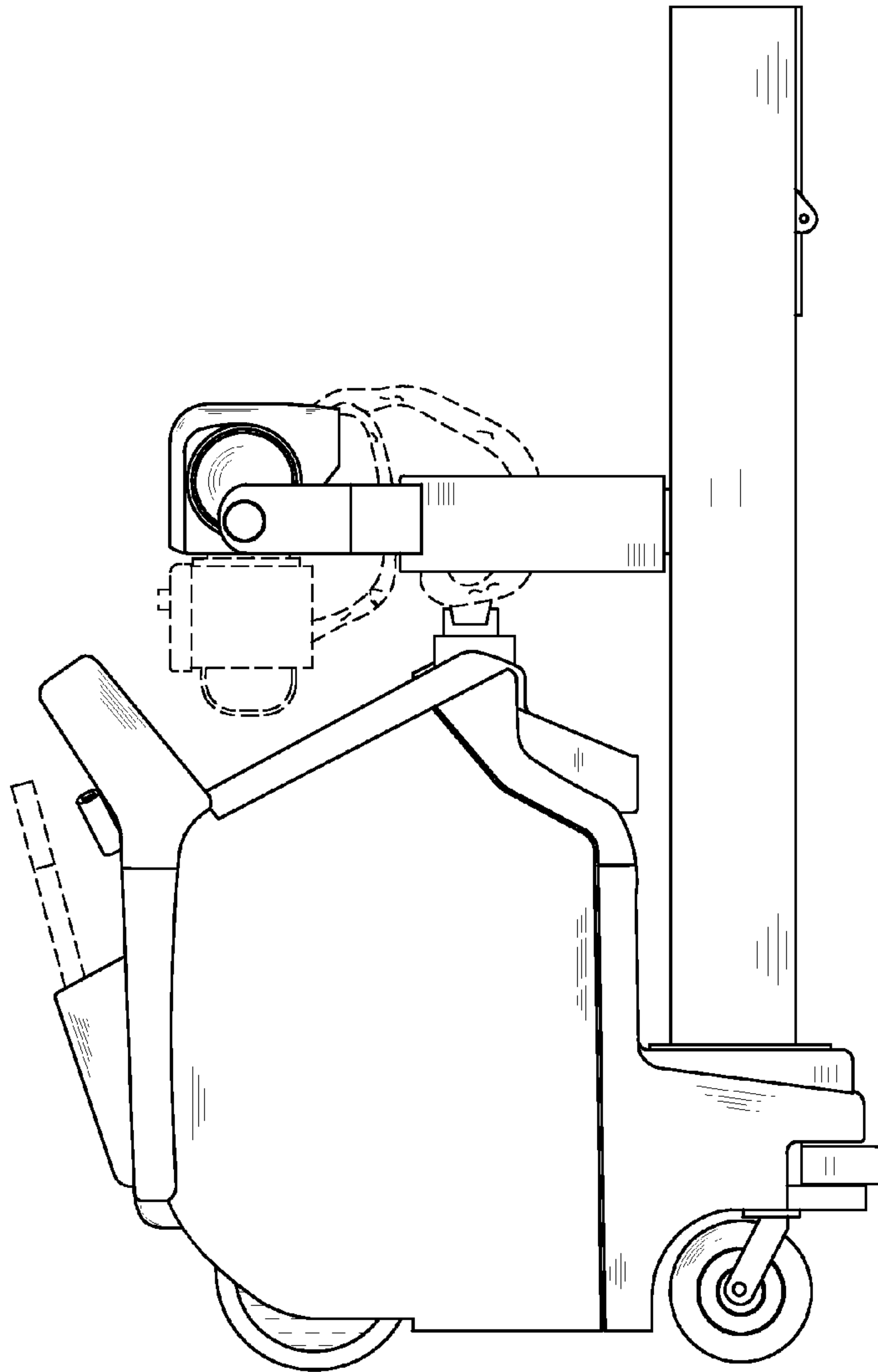


FIG. 6

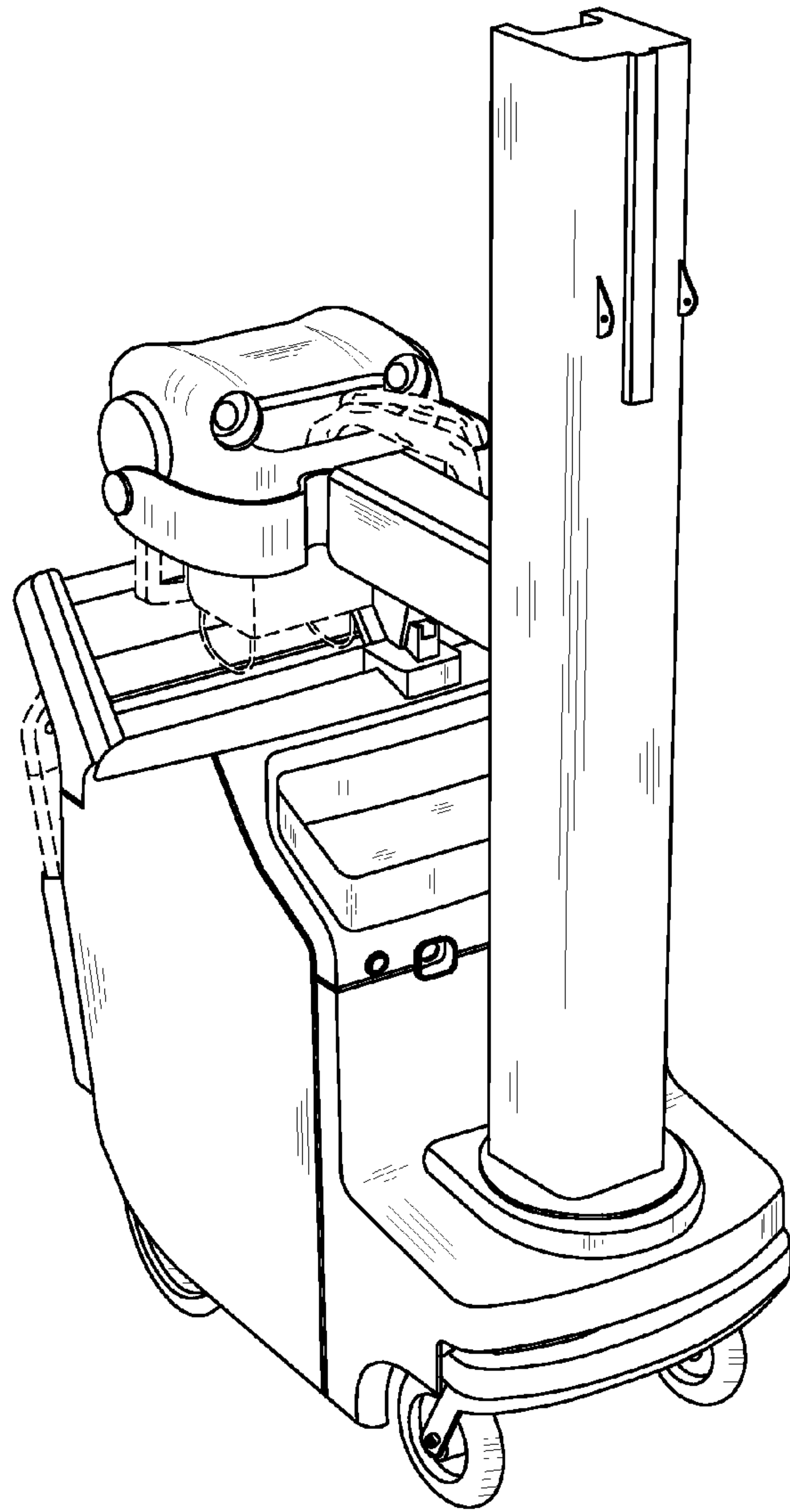


FIG. 7

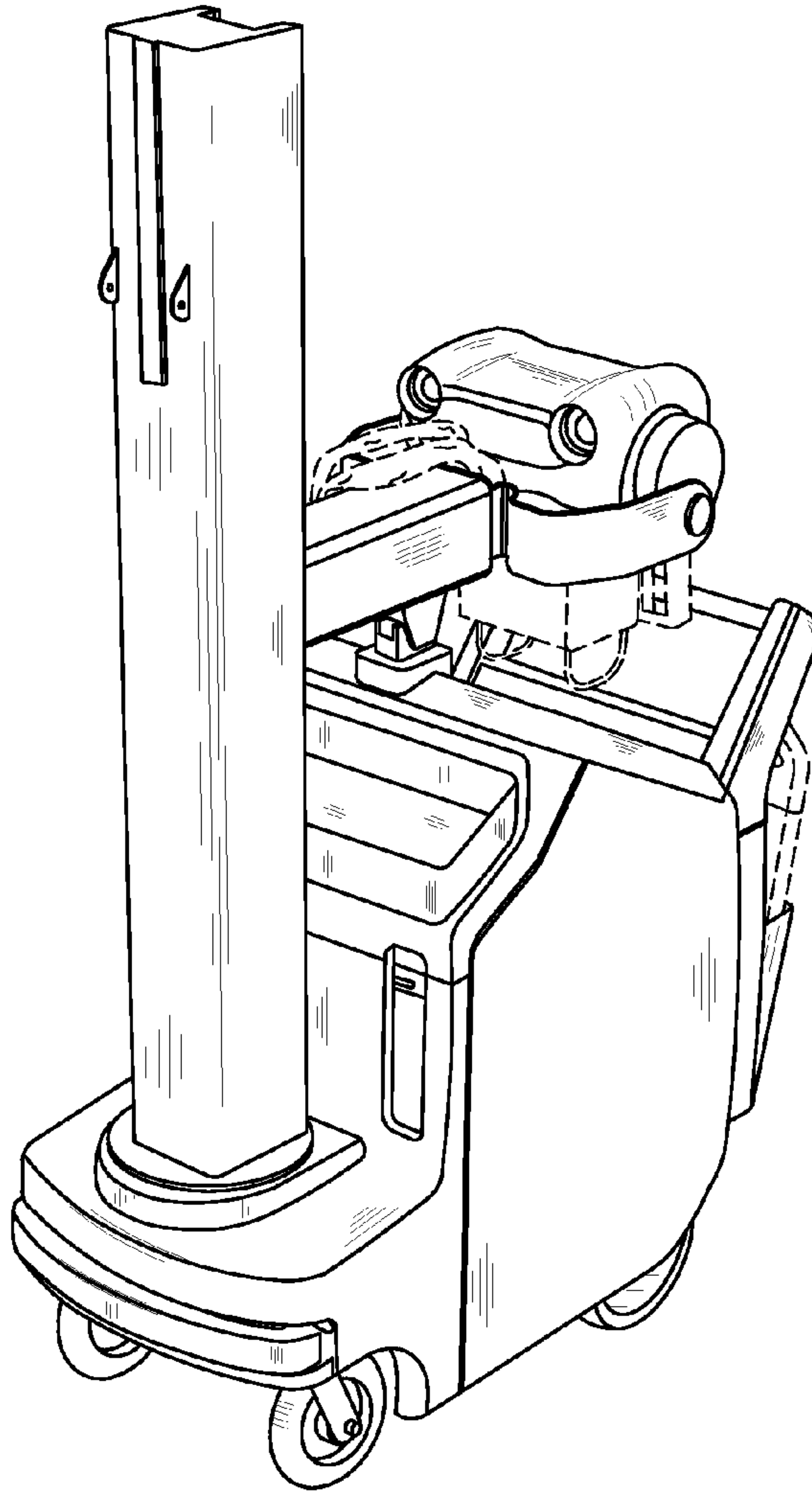


FIG. 8

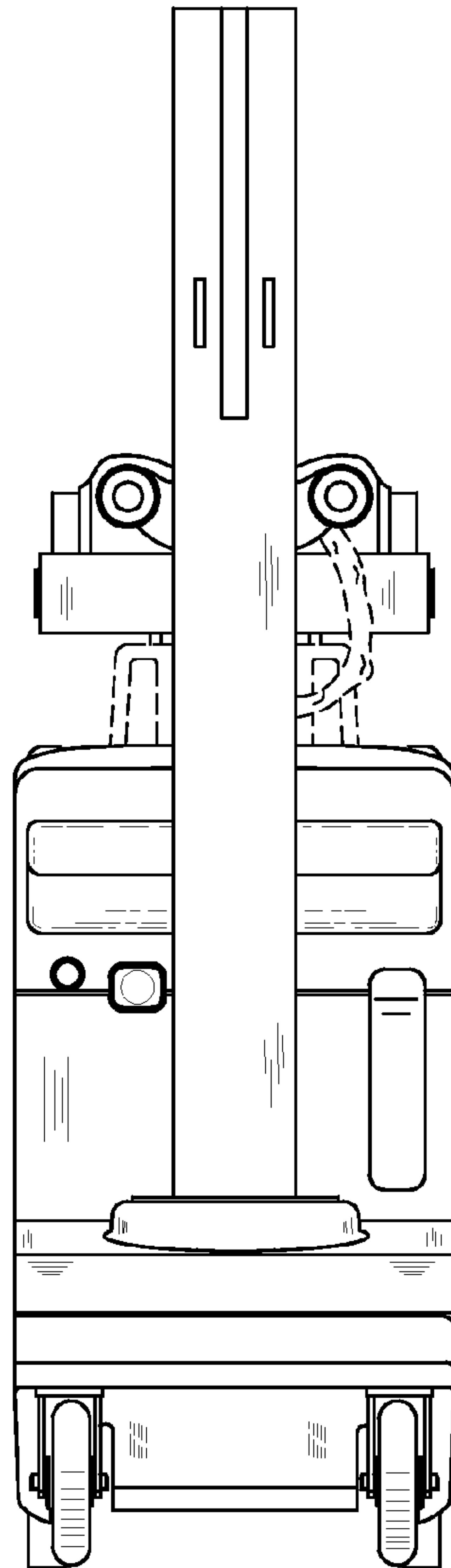


FIG. 9

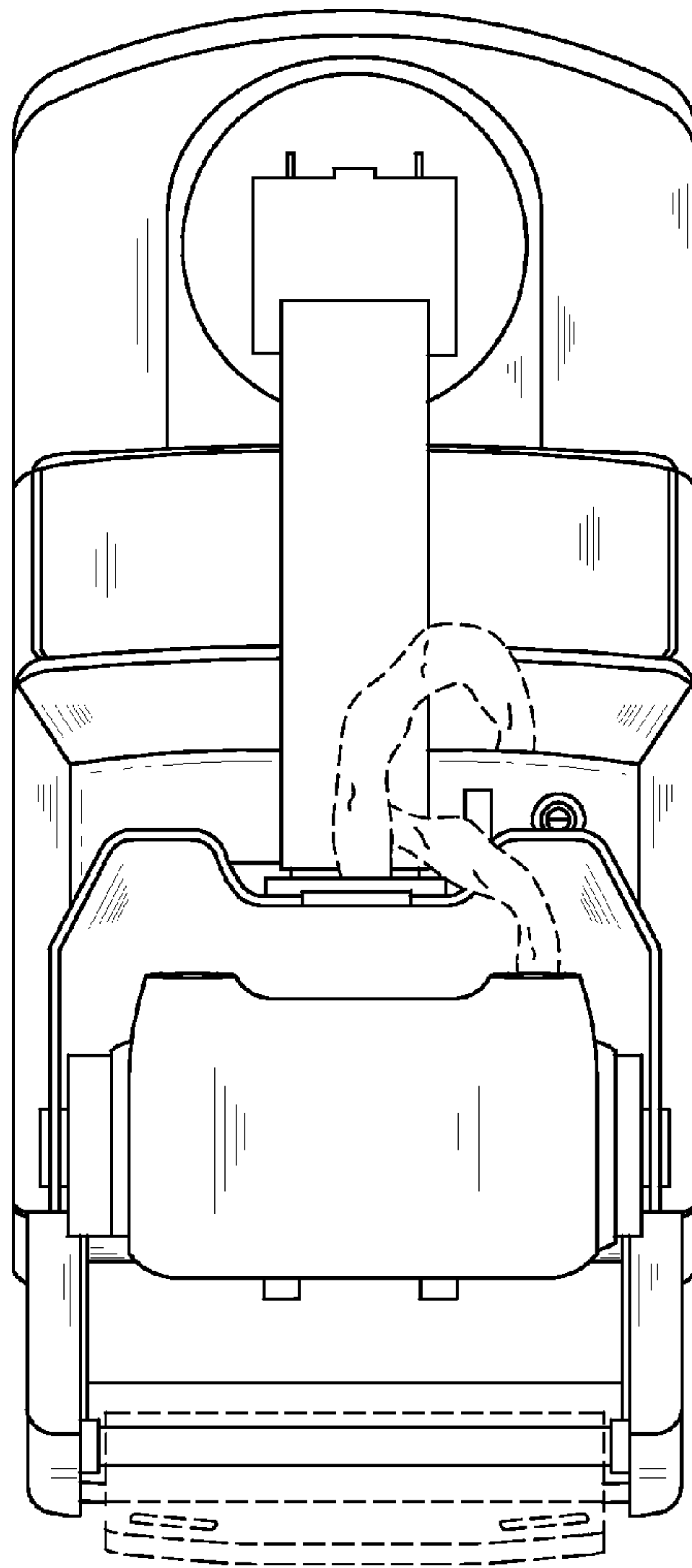


FIG. 10

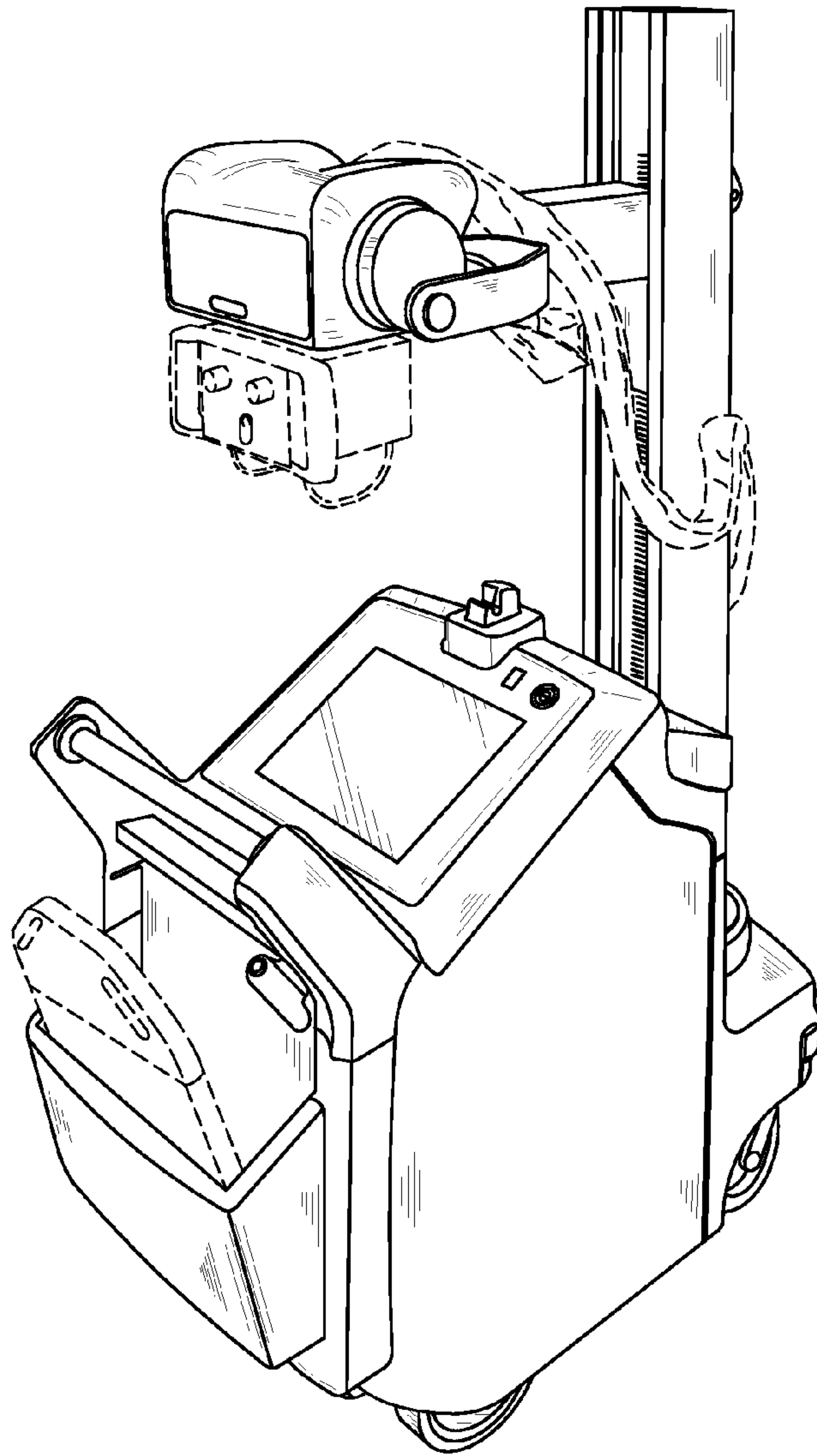


FIG. 11

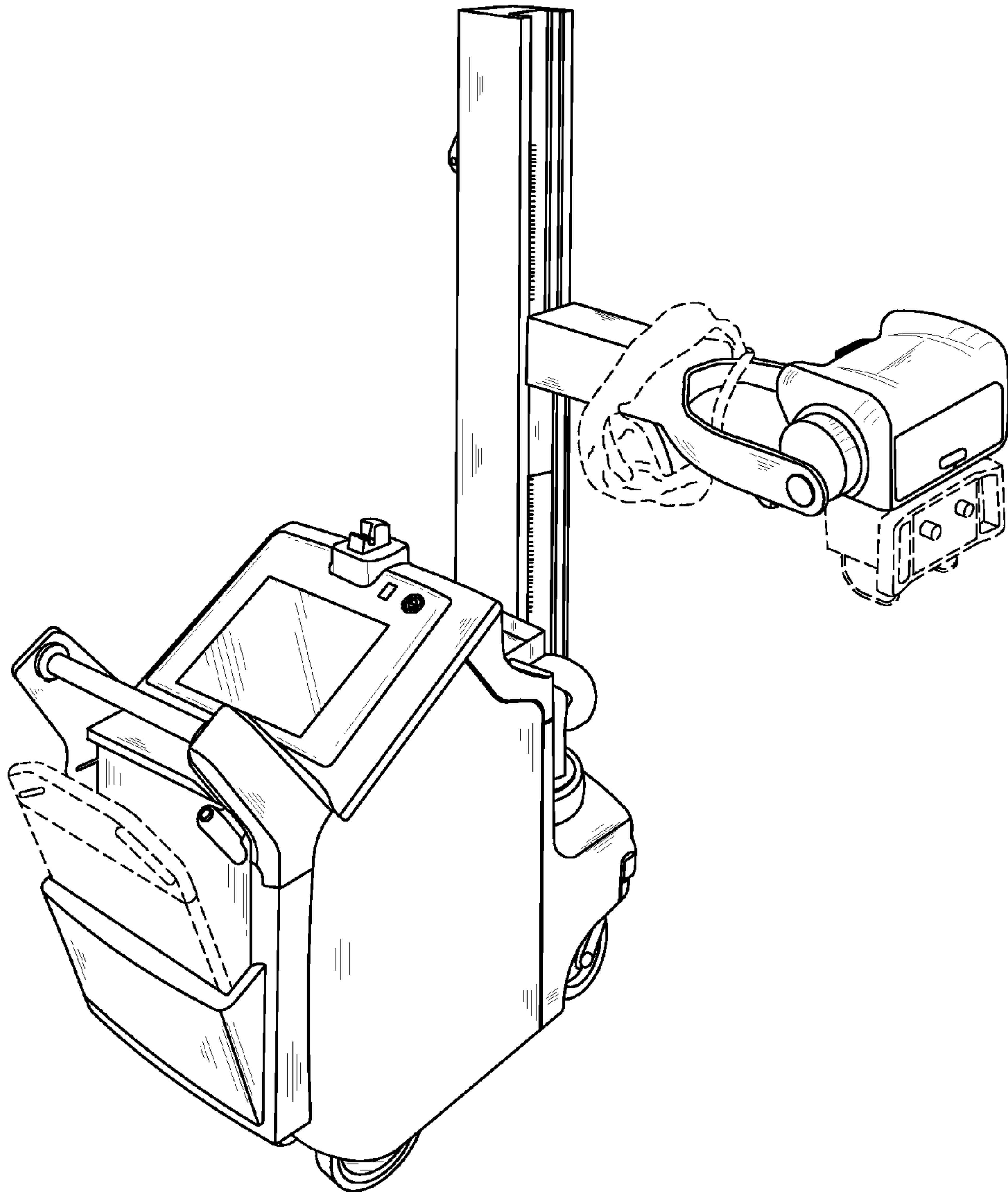


FIG. 12