



US00D710011S

(12) **United States Design Patent**
Nakaji

(10) **Patent No.:** **US D710,011 S**
(45) **Date of Patent:** **** Jul. 29, 2014**

- (54) **CRANIAL CLOSURE DEVICE**
- (75) Inventor: **Peter Nakaji**, Phoenix, AZ (US)
- (73) Assignee: **Allosource**, Centennial, CO (US)
- (**) Term: **14 Years**
- (21) Appl. No.: **29/341,528**
- (22) Filed: **Aug. 6, 2009**
- (51) **LOC (10) Cl.** **24-02**
- (52) **U.S. Cl.**
USPC **D24/155**
- (58) **Field of Classification Search**
USPC D24/155–157; 606/60, 61, 73, 95, 213,
606/246, 248, 249; 623/17.11, 17.12,
623/17.13, 17.14, 17.15, 17.16, 23.61,
623/23.56, 247, 213, 11.11, 16.14, 20.23,
623/20.33, 33, 41, 16.11; 434/184;
D21/504; D28/8.1

See application file for complete search history.

(56) **References Cited**

U.S. PATENT DOCUMENTS

- 1,855,987 A * 4/1932 Rammer D28/8.1
- 3,919,786 A * 11/1975 Taska 434/184
- 4,920,984 A * 5/1990 Furumichi et al. 128/861
- 5,304,191 A 4/1994 Gosselin
- 5,549,620 A 8/1996 Bremer
- 5,580,056 A * 12/1996 Clark D21/504
- 5,707,373 A 1/1998 Sevrain et al.
- 6,197,037 B1 3/2001 Hair
- 6,258,091 B1 7/2001 Sevrain et al.
- 6,355,044 B1 3/2002 Hair
- 6,511,482 B1 1/2003 Wellisz et al.
- 6,581,522 B1 6/2003 Julien et al.
- 6,589,244 B1 7/2003 Sevrain et al.
- 6,755,834 B2 6/2004 Amis
- 6,776,800 B2 8/2004 Boyer, II et al.
- 6,902,578 B1 * 6/2005 Anderson et al. 623/16.11
- 6,916,483 B2 7/2005 Ralph et al.

- 7,048,737 B2 5/2006 Wellisz et al.
- 7,048,738 B1 5/2006 Wellisz et al.
- 7,588,576 B2 9/2009 Teague et al.
- 2002/0004661 A1 1/2002 Sevrain et al.
- 2003/0229349 A1 12/2003 Wellisz et al.
- 2004/0034375 A1 2/2004 Ruiz et al.
- 2004/0210225 A1 10/2004 Amis
- 2005/0260247 A1 11/2005 Ralph et al.
- 2006/0246103 A1 11/2006 Ralph et al.
- 2006/0259040 A1 11/2006 Wellisz et al.
- 2007/0173844 A1 7/2007 Ralph et al.
- 2007/0270771 A1 11/2007 Ralph et al.
- 2009/0024147 A1 1/2009 Ralph et al.
- 2009/0076617 A1 3/2009 Ralph et al.

OTHER PUBLICATIONS

1 page obtained from <http://www.integra-ls.com/products/default.aspx?product=33>, dated Oct. 15, 2009.
“Gelfoam, Absorbable Gelatin, Compressed Sponge, USP”, Distributed by Pfizer—Pharmacia & Upjohn Company, Jul. 2007.
Pamphlet for DuraGen Dural Regeneration Matrix, by Integra LifeSciences Corporation, Plainsboro, New Jersey, www.Integra-LS.com, 2007.

(Continued)

Primary Examiner — Ian Simmons
Assistant Examiner — Charles Hanson
(74) *Attorney, Agent, or Firm* — James A. Sheridan;
Sheridan Law, LLC

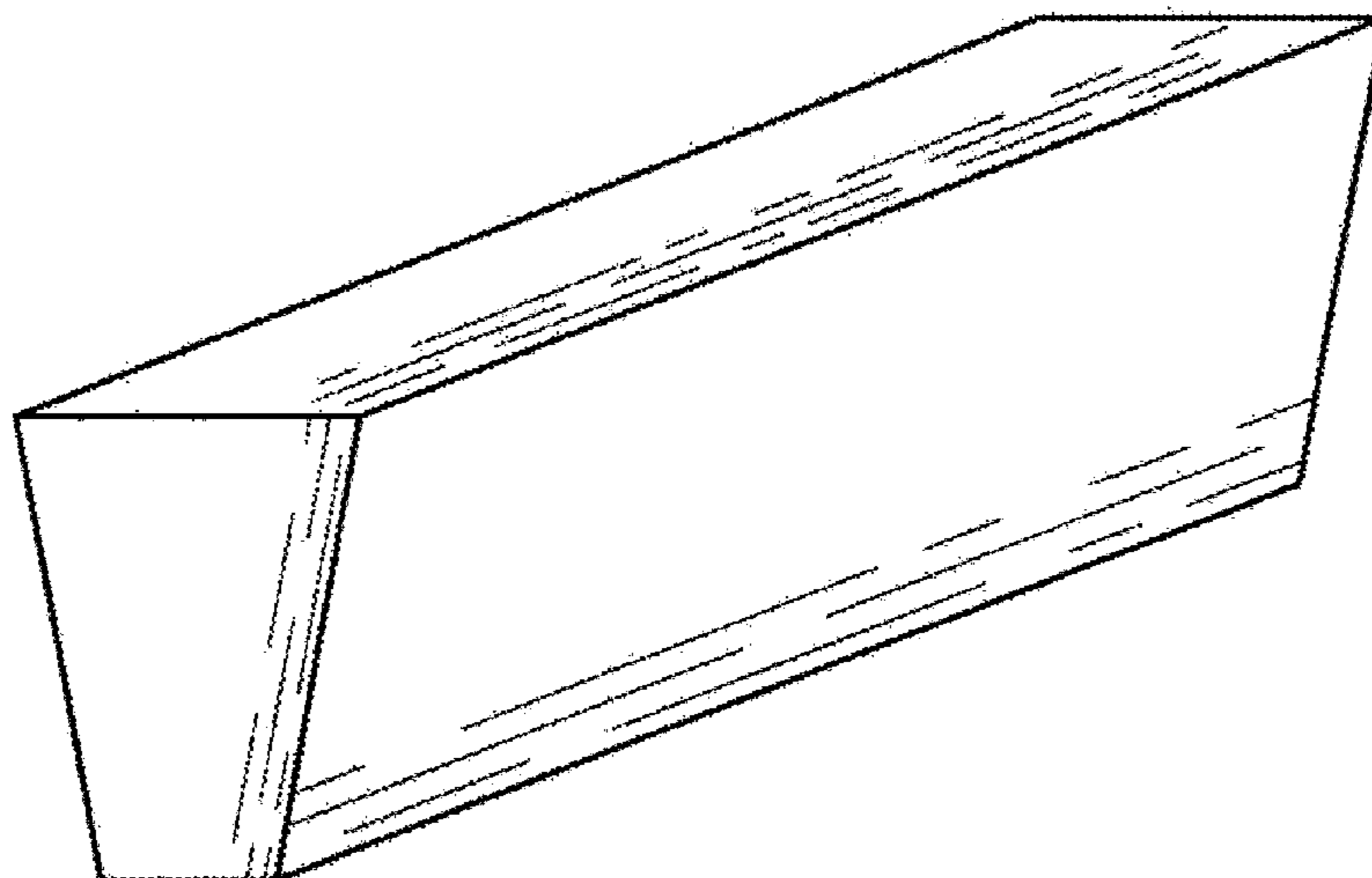
(57) **CLAIM**

The ornamental design for a cranial closure device, as shown and described.

DESCRIPTION

FIG. 1 is a left side and front perspective view of a cranial closure device showing my new design; FIG. 2 is a left side elevation view thereof, the right side elevational view thereof being identical; FIG. 3 is a front side elevational view thereof, the back side elevational view thereof being identical; FIG. 4 is a top plan view thereof; and, FIG. 5 is a bottom plan view thereof.

1 Claim, 1 Drawing Sheet



(56)

References Cited

OTHER PUBLICATIONS

Pamphlet for DuraGen—Dural Graft Matrix, by Inegra NeuroSciences, Plainsboro, New Jersey, www.Integra-NeuroSciences.com, 2003.

Pamphlet for Closure Solutions—Duraplasty and Cranial Closure, by Integra LifeSciences Corporation, Plainsboro, New Jersey, www.Integra-LS.com, Aug. 2007.

* cited by examiner

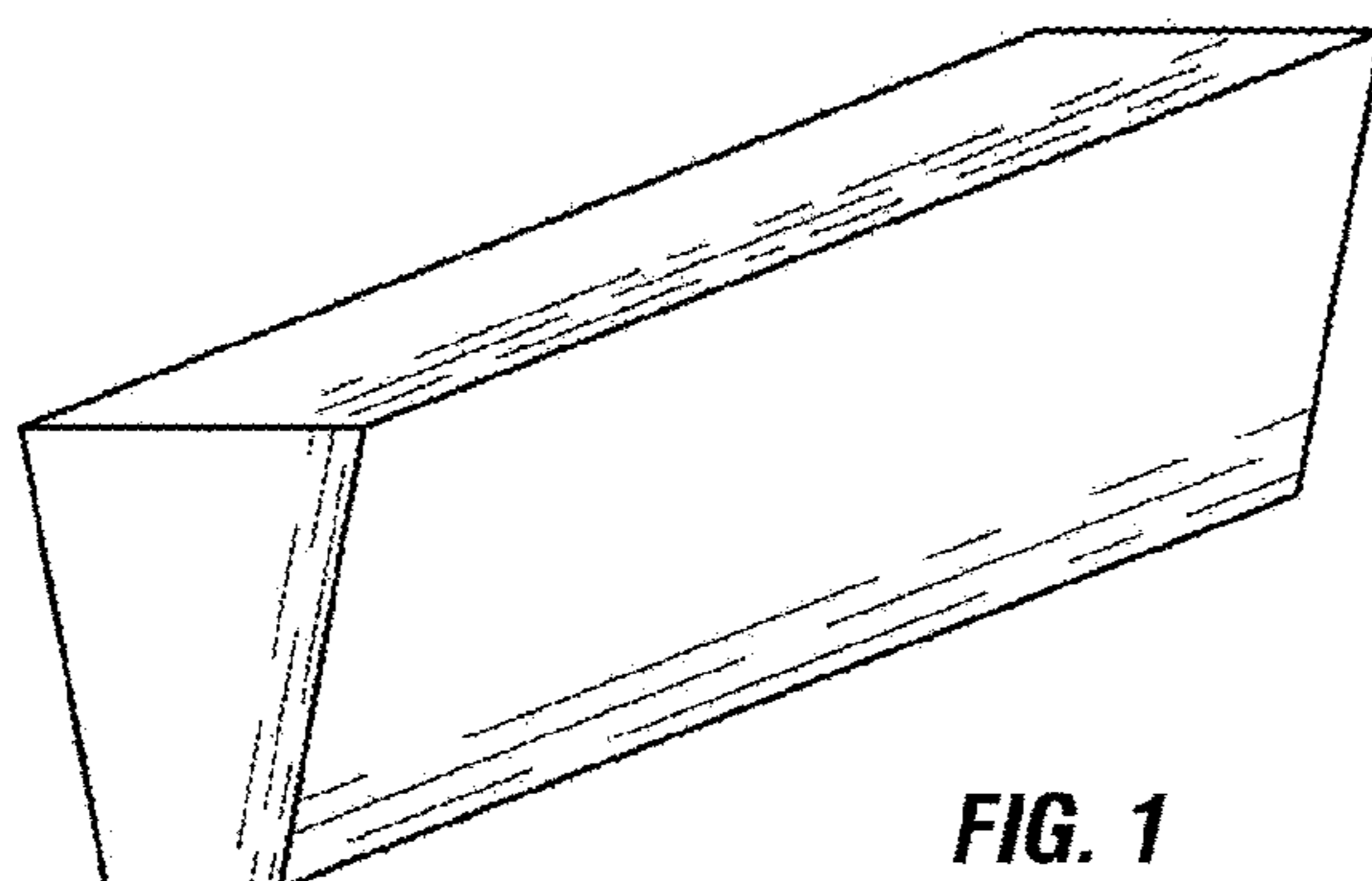


FIG. 1

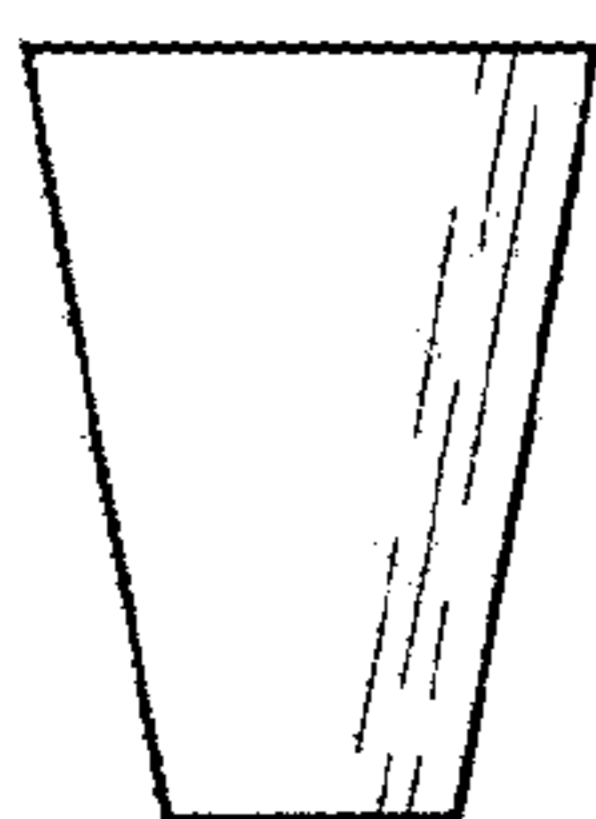


FIG. 2

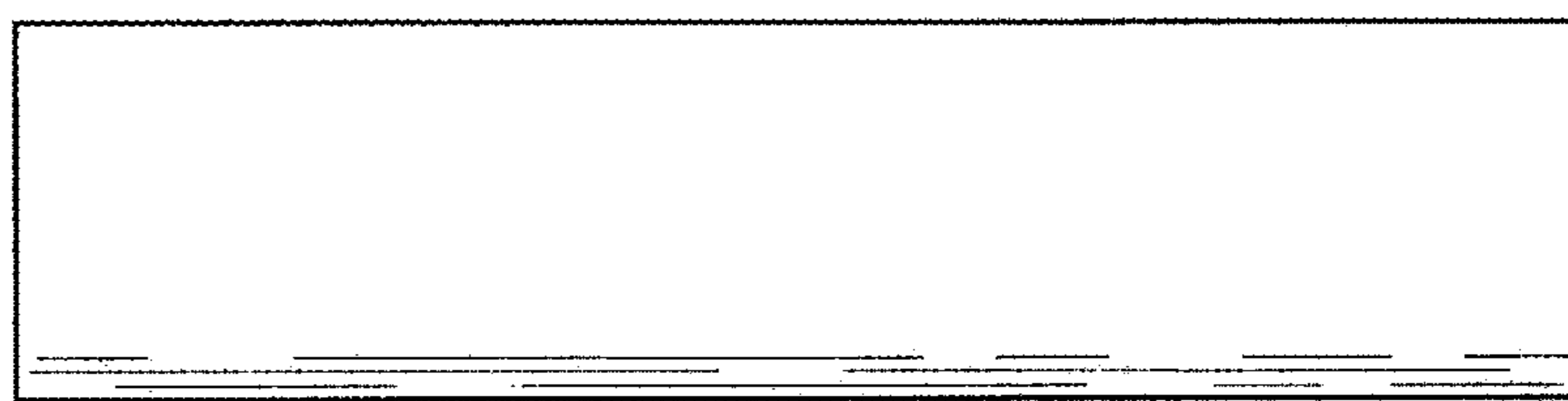


FIG. 3

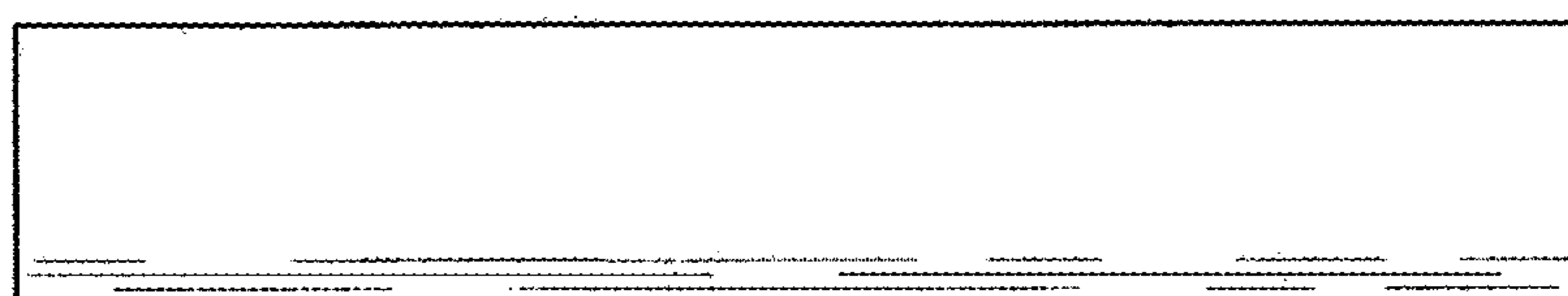


FIG. 4

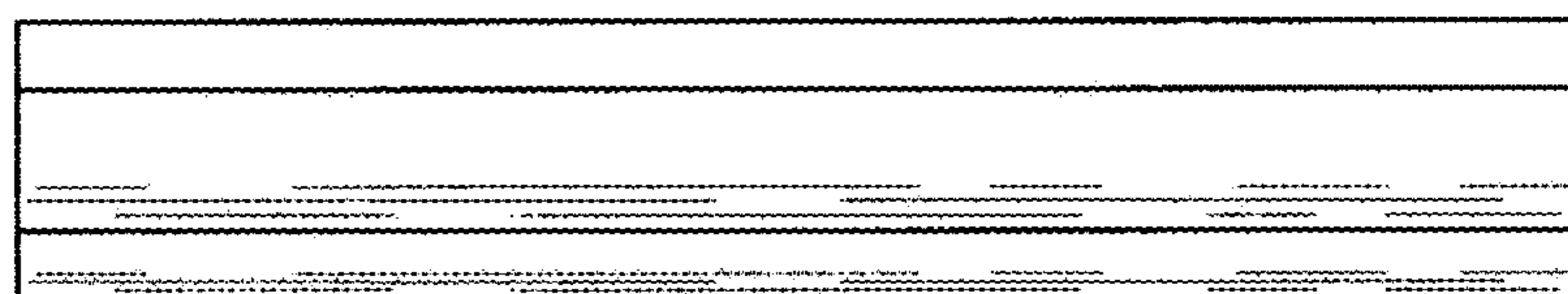


FIG. 5