



US00D710006S

(12) **United States Design Patent**  
**John et al.**

(10) **Patent No.:** **US D710,006 S**  
(45) **Date of Patent:** **\*\* Jul. 29, 2014**

(54) **RAT TOOTH GRASPER ASSEMBLY WITH IDENTICAL JAWS**

(71) Applicants: **Keith R. John**, Chardon, OH (US);  
**Stephen T. Pastor**, Sagamore Hills, OH (US); **Scott Haack**, Chardon, OH (US);  
**Steven J. Torer**, Willoughby, OH (US)

(72) Inventors: **Keith R. John**, Chardon, OH (US);  
**Stephen T. Pastor**, Sagamore Hills, OH (US); **Scott Haack**, Chardon, OH (US);  
**Steven J. Torer**, Willoughby, OH (US)

(73) Assignee: **United States Endoscopy Group, Inc.**,  
Mentor, OH (US)

(\*\*) Term: **14 Years**

(21) Appl. No.: **29/462,413**

(22) Filed: **Aug. 2, 2013**

**Related U.S. Application Data**

(63) Continuation of application No. 29/401,032, filed on  
Sep. 6, 2011, now Pat. No. Des. 689,606.

(51) **LOC (10) Cl.** ..... **24-02**

(52) **U.S. Cl.**  
USPC ..... **D24/133**; D24/143

(58) **Field of Classification Search**  
USPC ..... D24/133, 143, 144, 145, 146-149, 153,  
D24/138; 606/142, 143, 205, 207, 49-52,  
606/107, 206, 208, 101  
See application file for complete search history.

(56) **References Cited**

**U.S. PATENT DOCUMENTS**

2,034,785 A 3/1936 Wappler  
2,618,268 A 11/1952 English  
2,668,538 A 2/1954 Baker

(Continued)

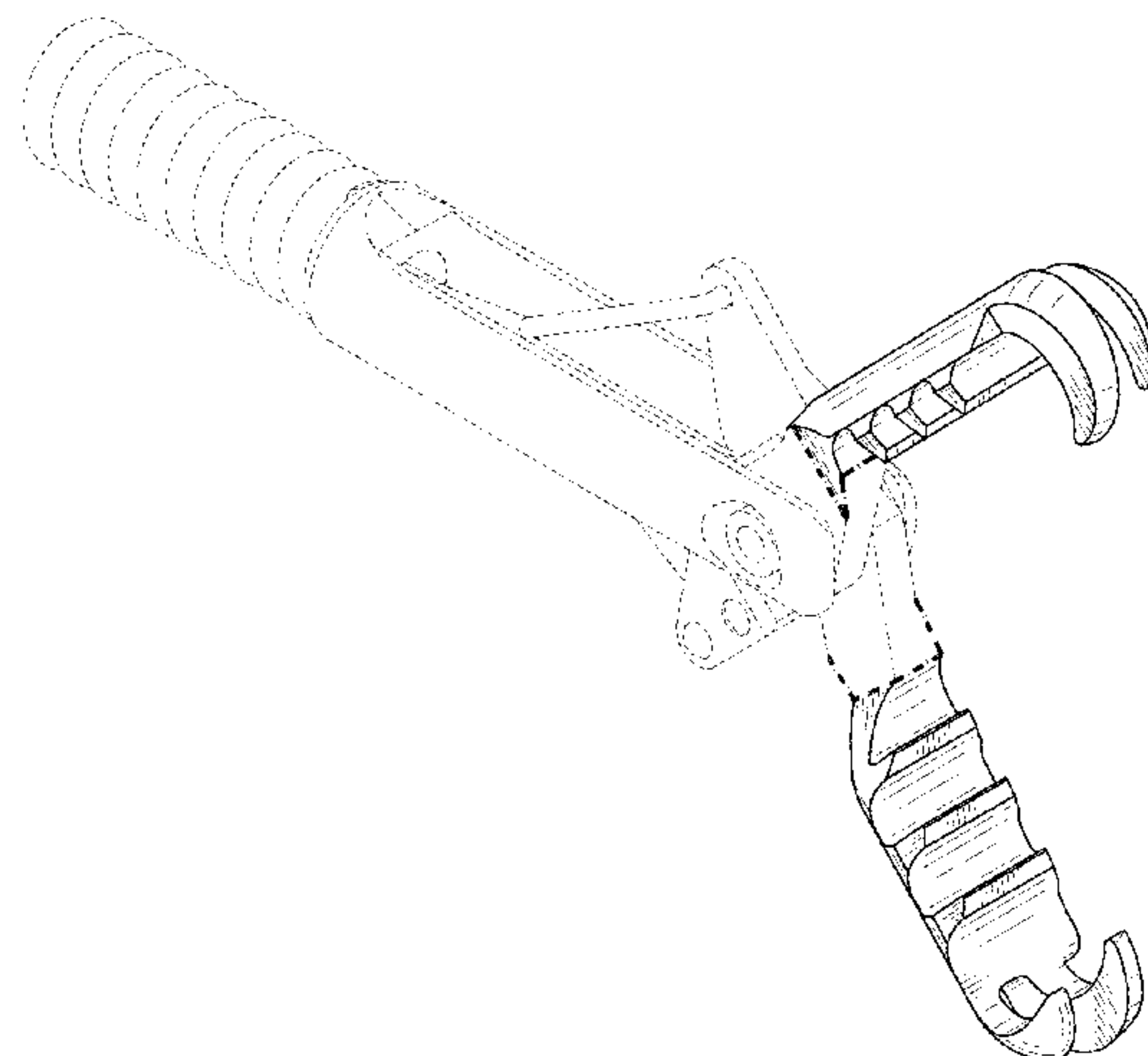
*Primary Examiner* — Mark Goodwin  
(74) *Attorney, Agent, or Firm* — Calfee, Halter & Griswold  
LLP

(57) **CLAIM**  
The ornamental design for a rat tooth grasper assembly with  
identical jaws, as shown and described.

**DESCRIPTION**

FIG. 1 is a perspective view of a rat tooth grasper assembly  
with identical jaws showing our new design in an open posi-  
tion.  
FIG. 2 is a perspective thereof shown in a closed position.  
FIG. 3 is a right side elevational view thereof shown in an  
open position.  
FIG. 4 is a front end view thereof shown in an open position.  
FIG. 5 is a front end view thereof shown in a closed position.  
FIG. 6 is a right side elevational view thereof shown in a  
closed position.  
FIG. 7 is an exploded perspective view thereof in a closed  
position with the upper jaw moved to a foreground position  
and a lower jaw moved to a background position.  
FIG. 8 is a right side elevational view of the upper jaw of FIG.  
7  
FIG. 9 is a front end view thereof.  
FIG. 10 is a bottom plan view thereof.  
FIG. 11 is a right side view of the upper jaw of FIG. 10 and the  
lower jaw of FIG. 7 thereof.  
FIG. 12 is a bottom plan view of the upper jaw of FIG. 11 and  
the lower jaw of FIG. 7 thereof.  
FIG. 13 is a rear view of the upper jaw of FIG. 11.  
FIG. 14 is a perspective view of the lower jaw of FIG. 7  
thereof; and,  
FIG. 15 is a perspective view of the lower jaw of FIG. 14  
thereof.  
The broken lines shown in FIGS. 1-7 are included for the  
purpose of illustrating environmental elements only, and  
form no part of the claimed design.

**1 Claim, 4 Drawing Sheets**



(56)

**References Cited**

U.S. PATENT DOCUMENTS

2,842,132	A	7/1958	Soltero et al.	7,223,272	B2	5/2007	Francese et al.
4,598,699	A	7/1986	Garren et al.	D545,432	S	6/2007	Watanabe
D289,683	S	5/1987	Gilfillan	D575,400	S	8/2008	Patterson et al.
5,170,800	A	12/1992	Smith et al.	7,448,525	B2	11/2008	Shelton et al.
5,304,203	A	4/1994	El-Mallawany et al.	D590,944	S	4/2009	Watanabe
D351,653	S	* 10/1994	Koros et al. .... D24/143	D610,680	S	2/2010	Blocher
5,575,805	A	11/1996	Li	7,828,811	B2	11/2010	Kortenbach et al.
5,922,008	A	7/1999	Gimpelson	D632,788	S	2/2011	Thouement
6,077,280	A	6/2000	Fossum	D634,427	S	3/2011	Nishimura
6,129,683	A	10/2000	Sutton et al.	7,927,327	B2	4/2011	Lu et al.
6,159,162	A	12/2000	Kostylev et al.	7,942,885	B2	5/2011	Sixto et al.
6,273,860	B1	8/2001	Kostylev et al.	8,066,721	B2	* 11/2011	Kortenbach et al. .... 606/142
6,309,404	B1	10/2001	Krzyzanowski	8,070,759	B2	* 12/2011	Stefanchik et al. .... 606/139
6,824,548	B2	11/2004	Smith et al.	D689,606	S	9/2013	John et al.
6,843,794	B2	1/2005	Sixto et al.	2001/0021861	A1	9/2001	Boebel et al.
6,945,979	B2	9/2005	Kortenbach et al.	2002/0068946	A1	6/2002	Kortenbach et al.
7,070,602	B2	7/2006	Smith et al.	2002/0165580	A1	11/2002	Zwiefel et al.
7,090,685	B2	8/2006	Kortenbach et al.	2005/0090838	A1	4/2005	Sixto et al.
				2007/0250111	A1	10/2007	Lu et al.
				2008/0294178	A1	11/2008	Kortenbach et al.

\* cited by examiner

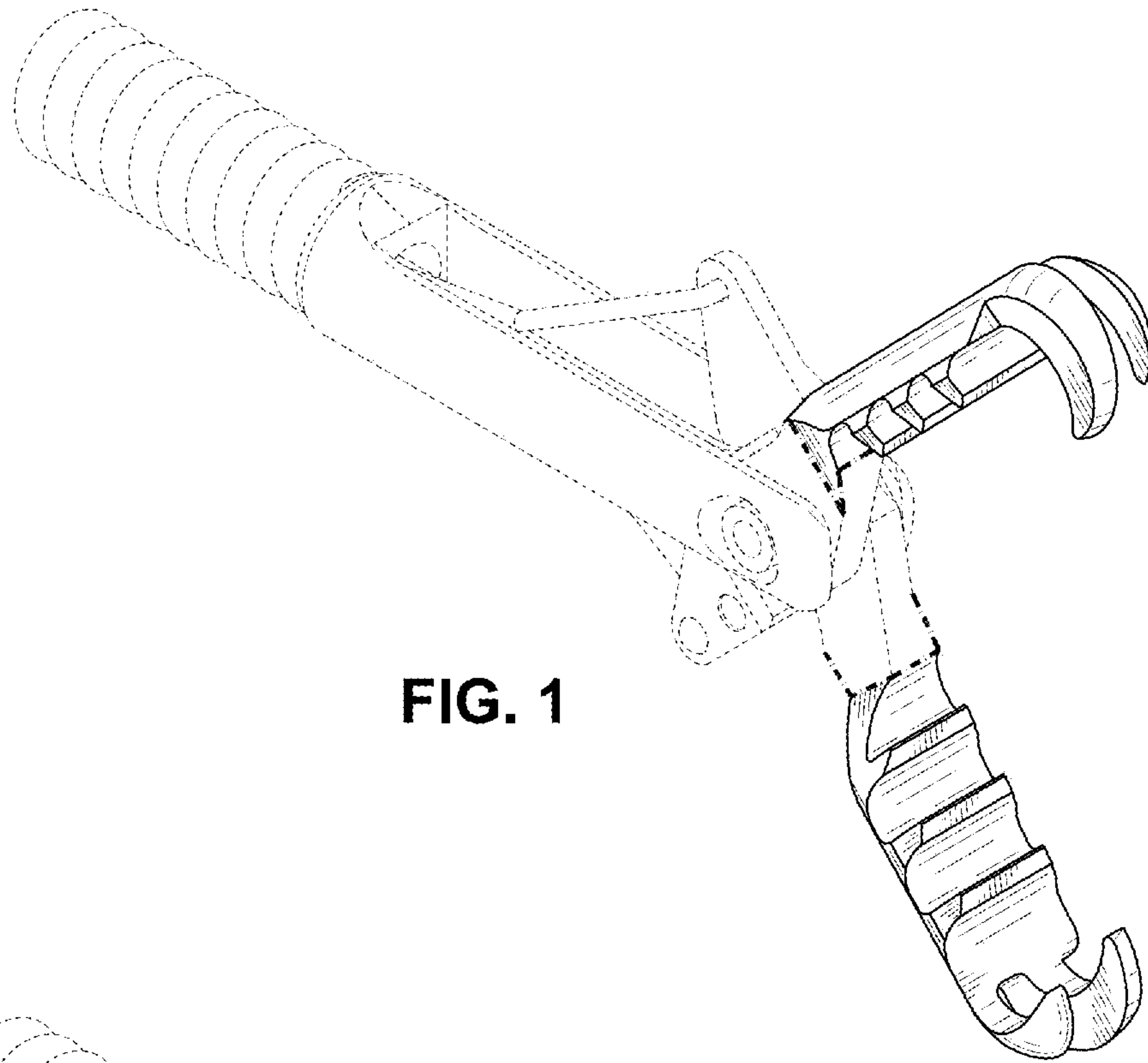


FIG. 1

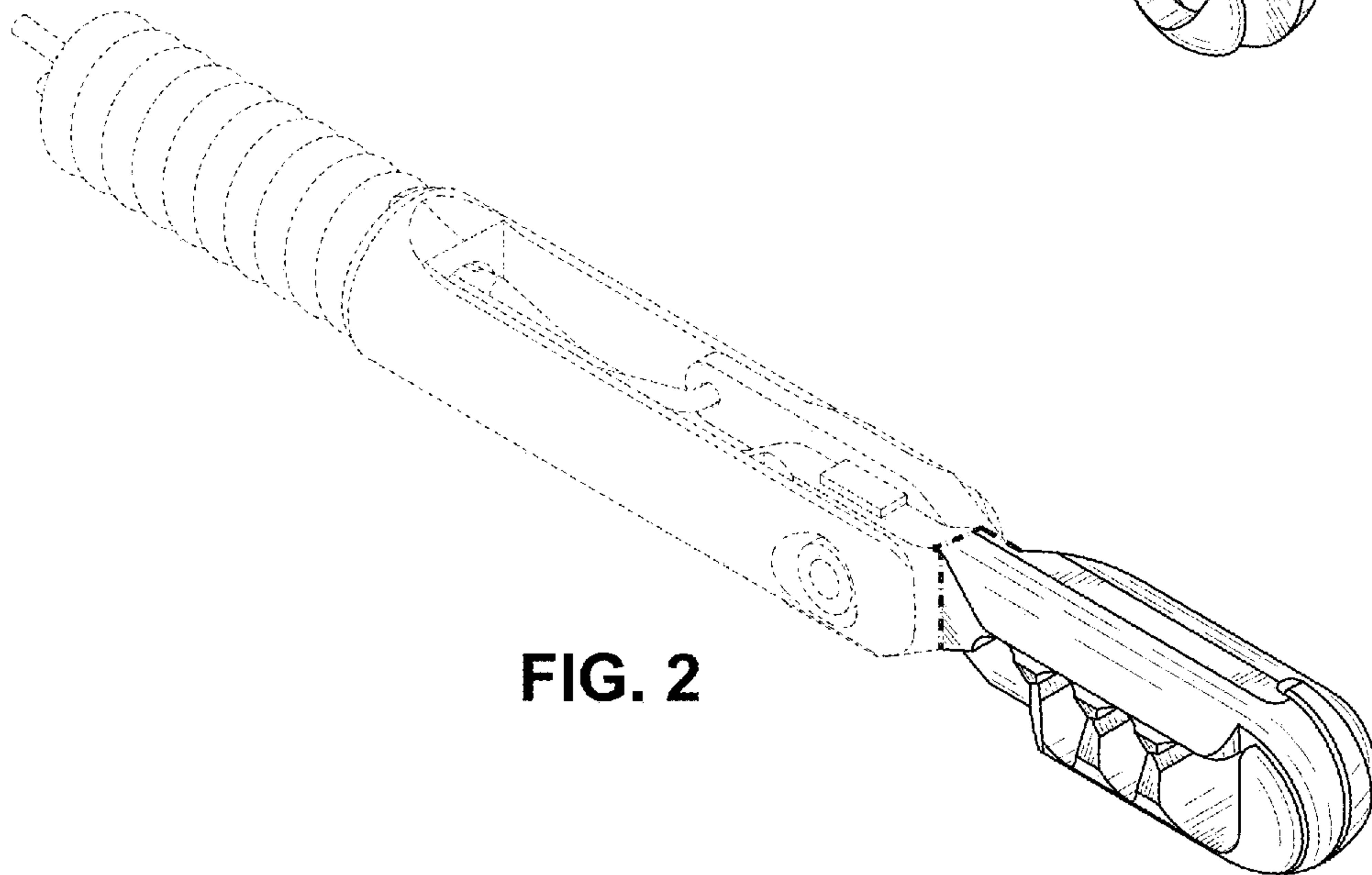


FIG. 2

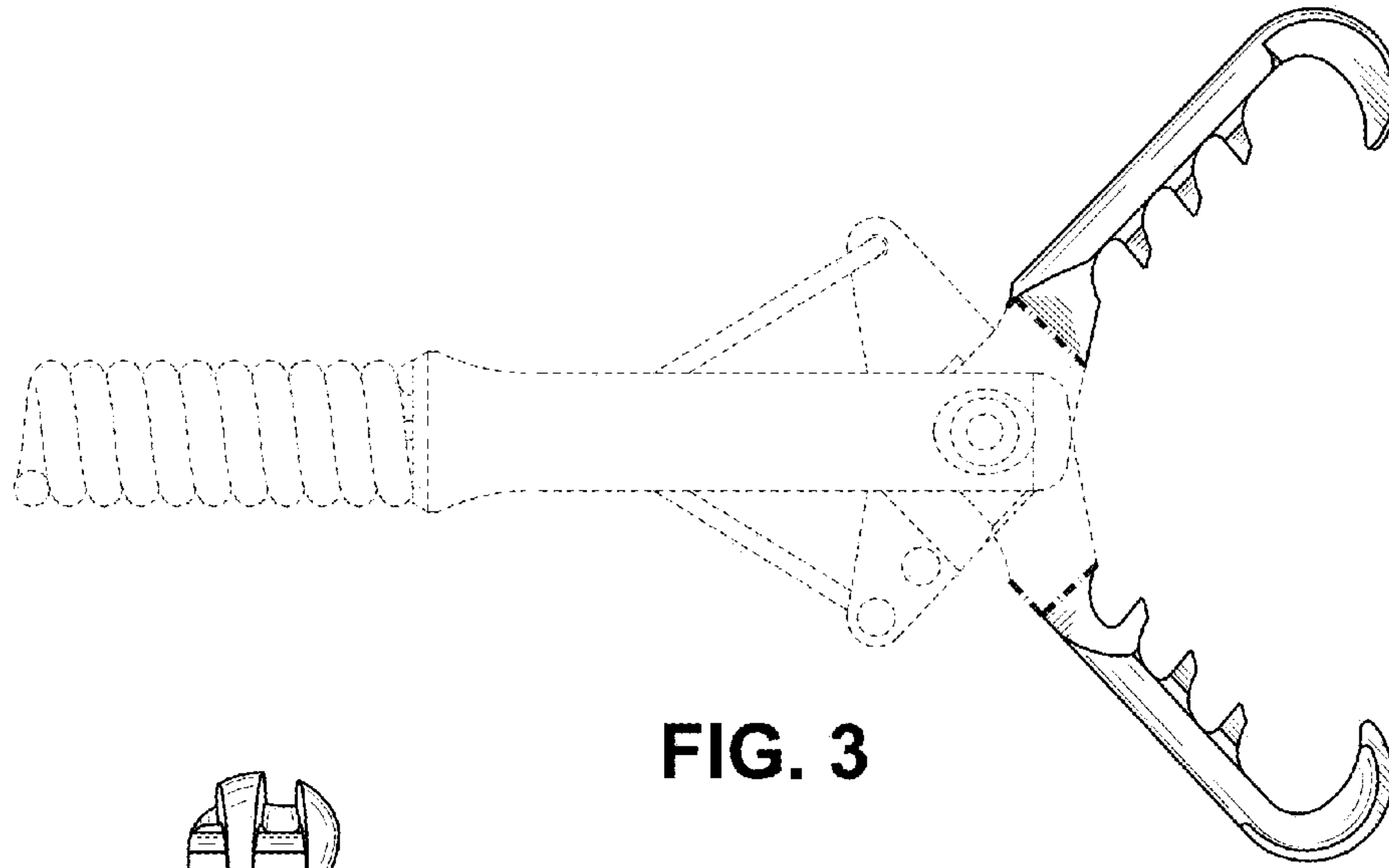


FIG. 3



FIG. 4

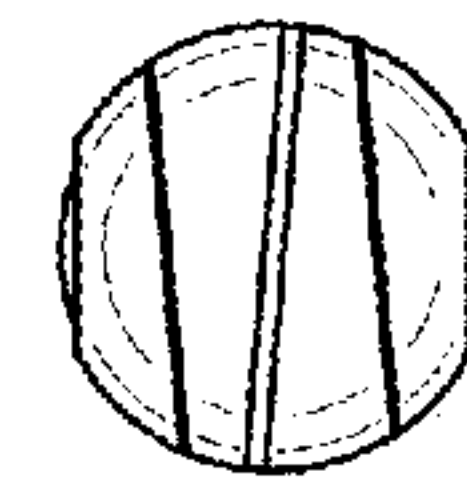


FIG. 5

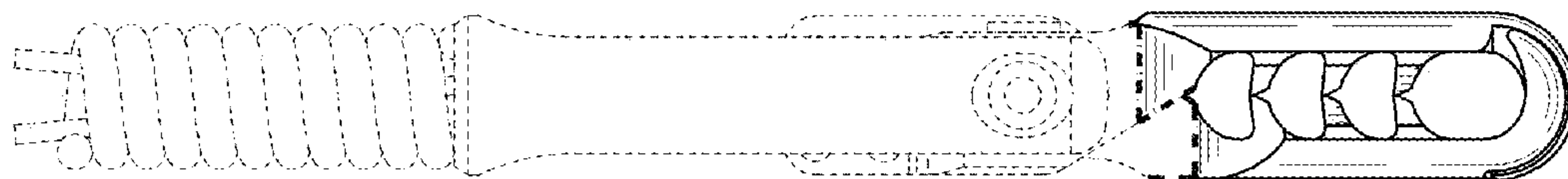


FIG. 6



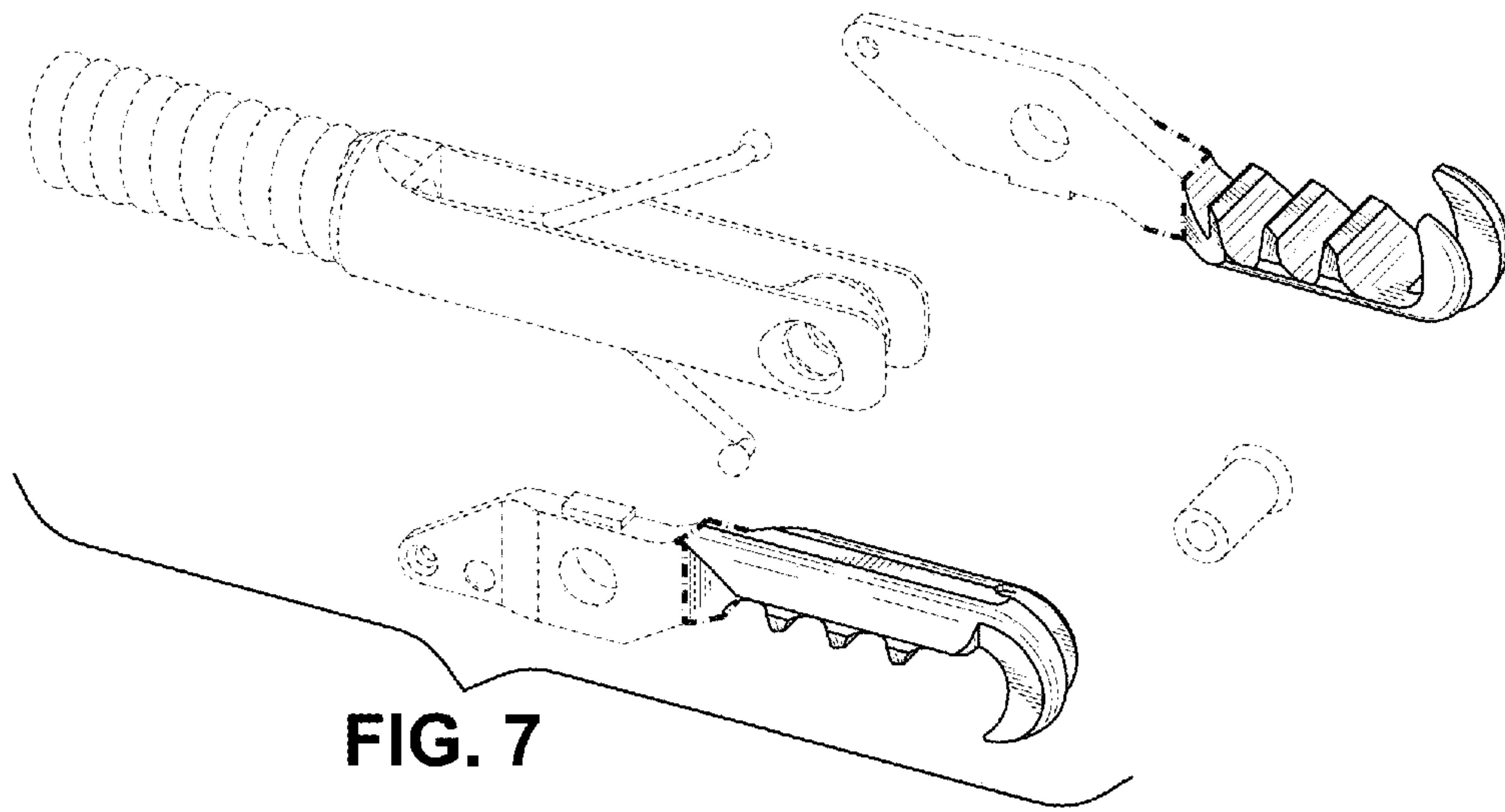


FIG. 7

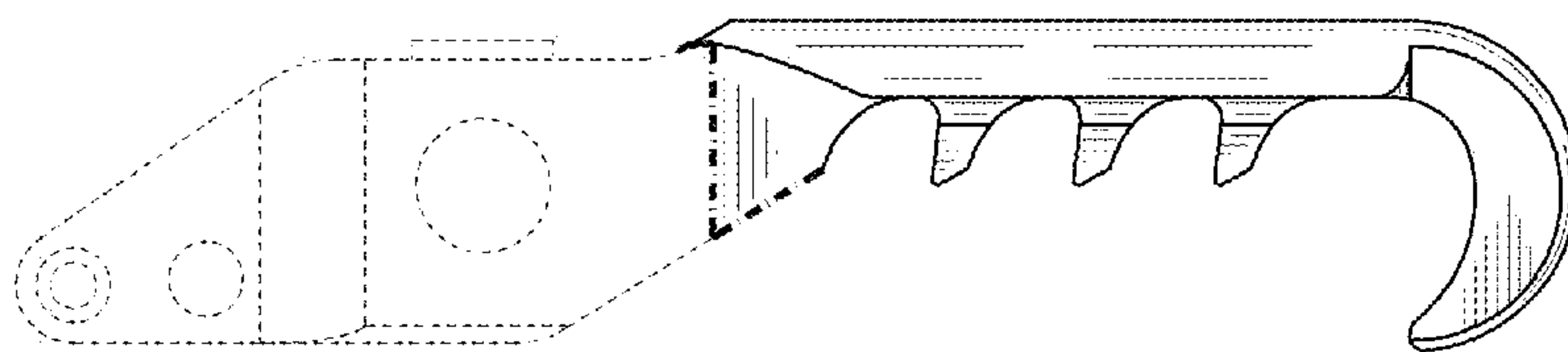


FIG. 8

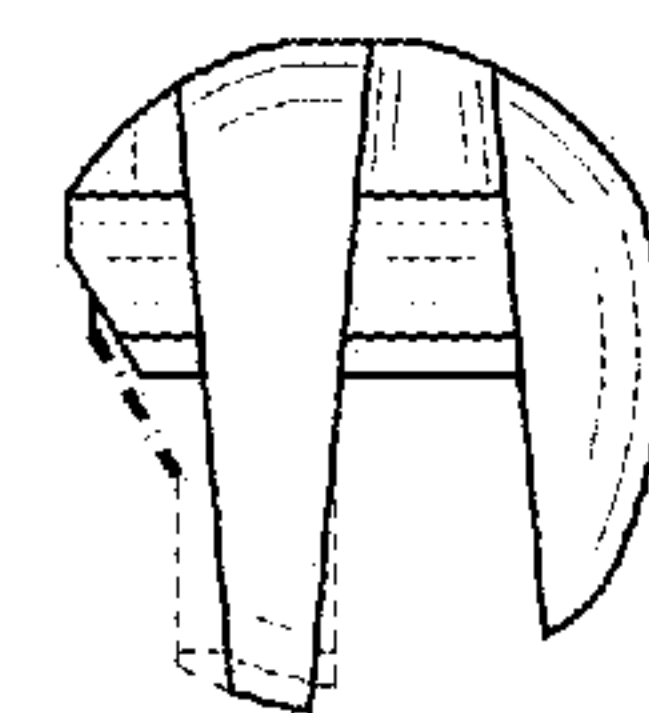


FIG. 9

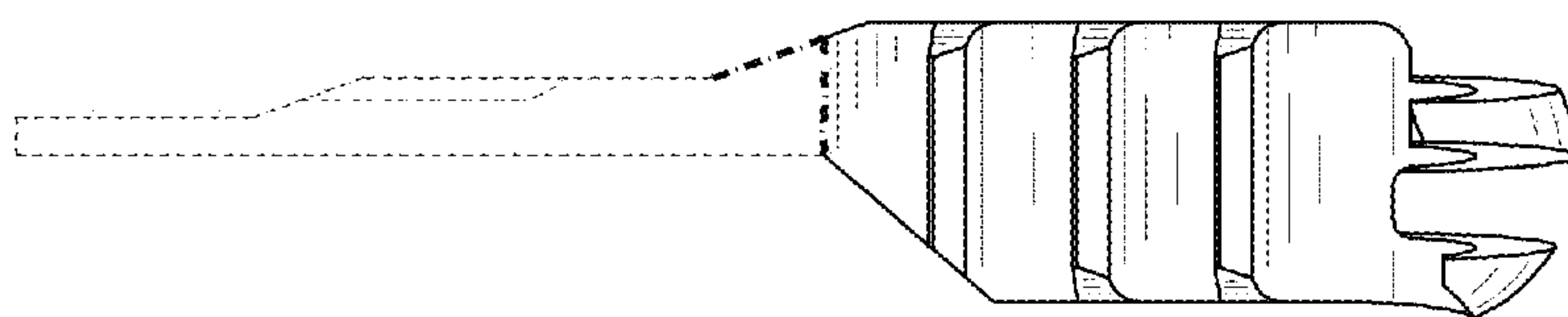


FIG. 10

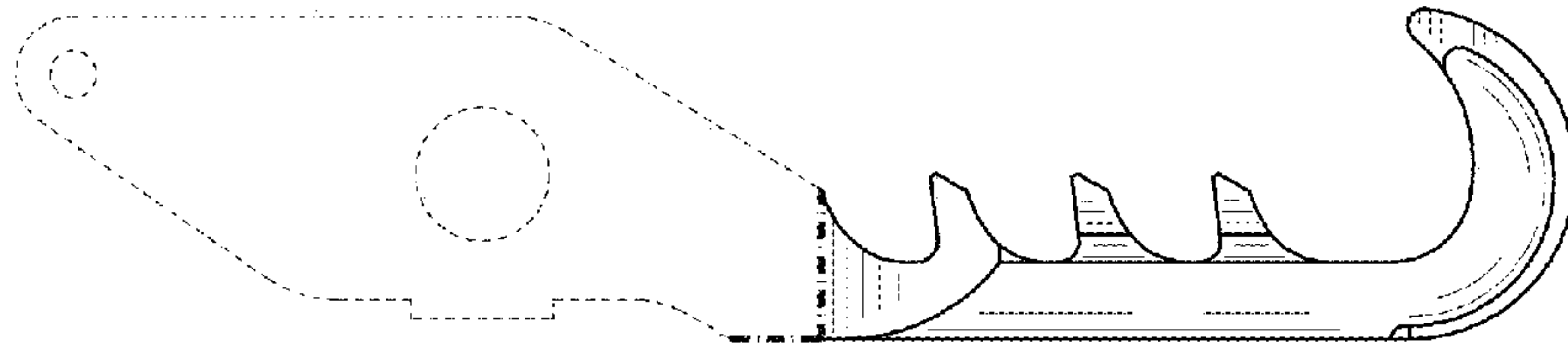


FIG. 11

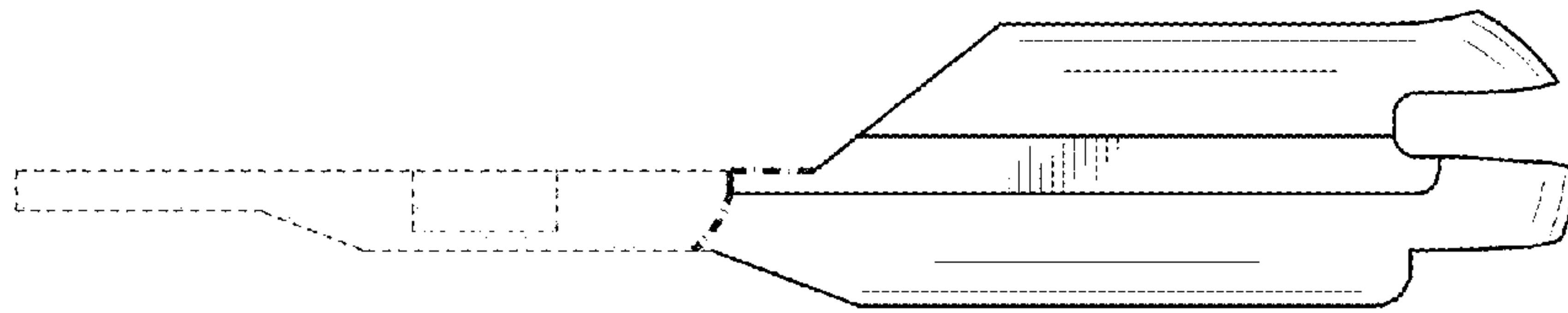


FIG. 12

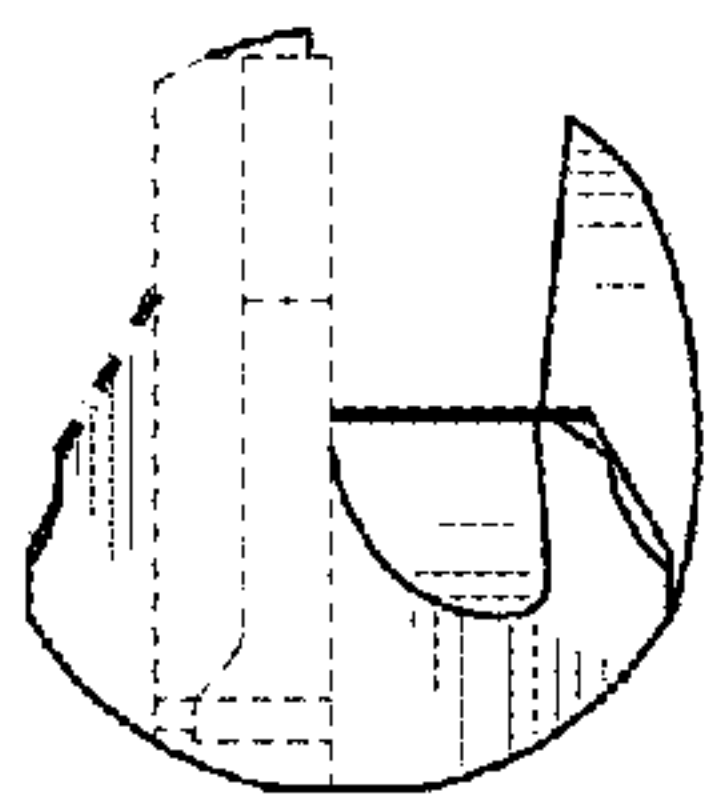


FIG. 13

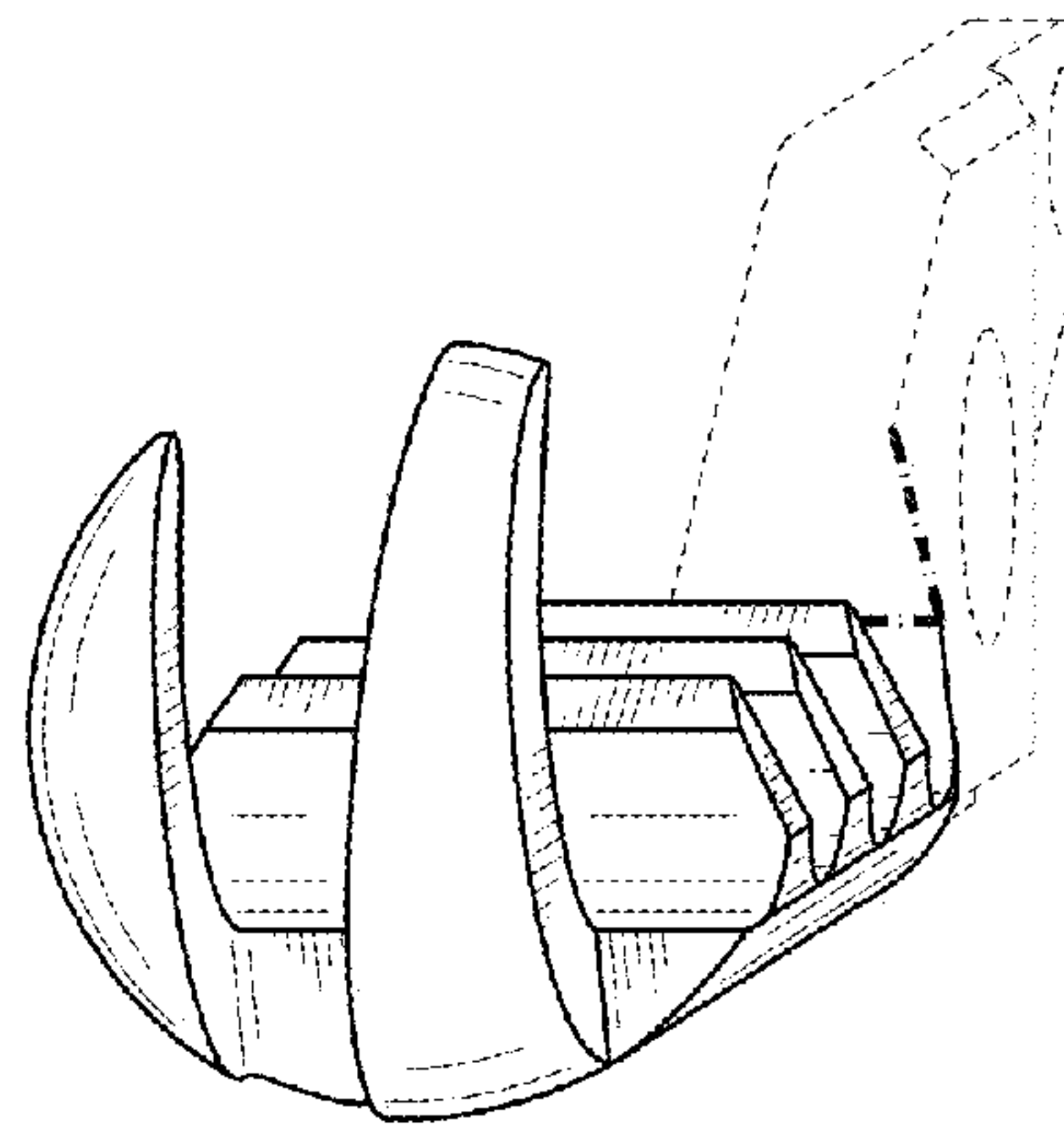


FIG. 14

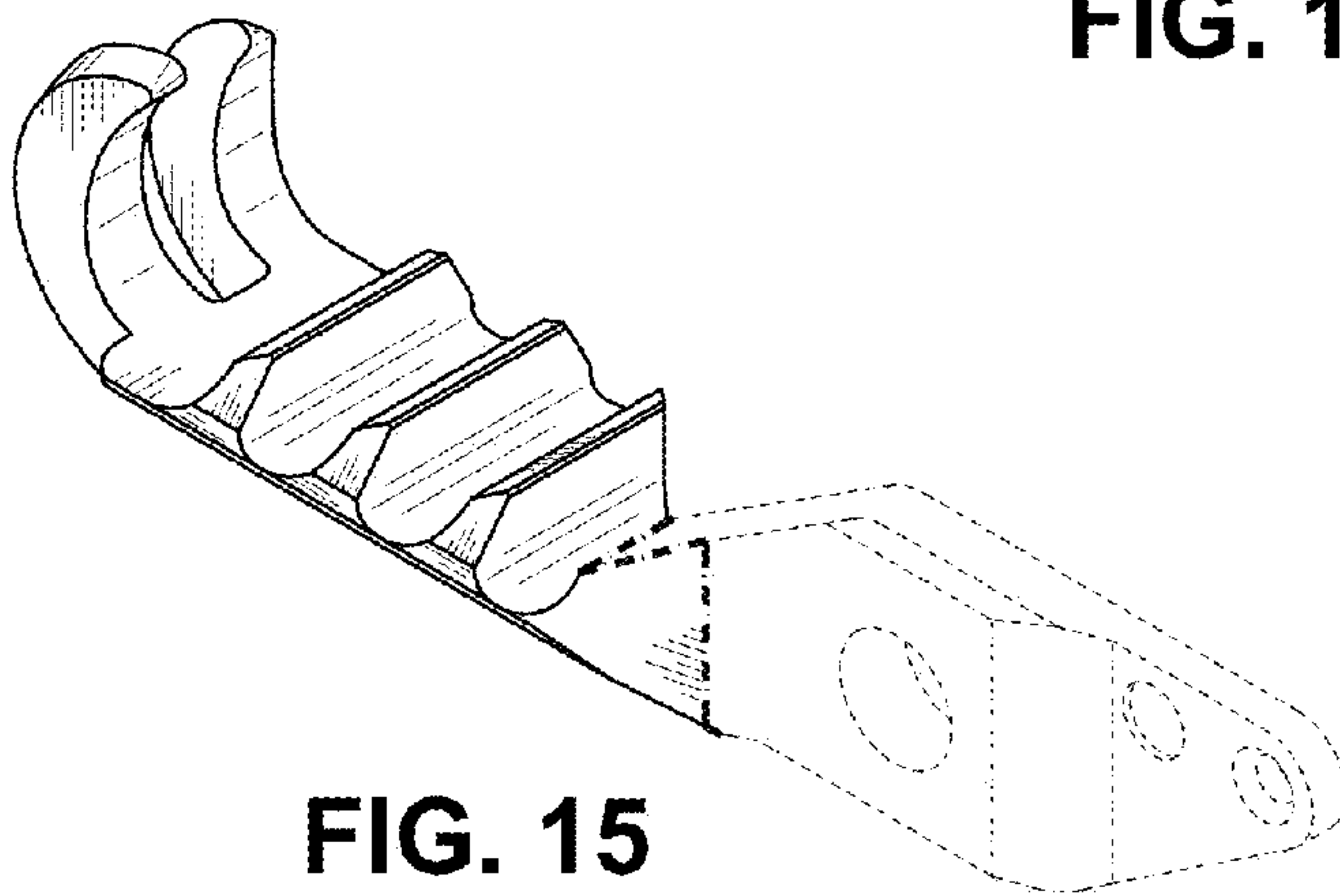


FIG. 15