



US00D710005S

(12) **United States Design Patent**
Kawamura

(10) **Patent No.:** **US D710,005 S**
(45) **Date of Patent:** **** Jul. 29, 2014**

(54) **FINGER GRIP FOR FLANGE OF SYRINGE
BARREL**

(71) Applicant: **Daikyo Seiko, Ltd.**, Tokyo (JP)

(72) Inventor: **Hideaki Kawamura**, Tokyo (JP)

(73) Assignee: **Daikyo Seiko, Ltd.**, Sumida-ku, Tokyo
(JP)

(**) Term: **14 Years**

(21) Appl. No.: **29/458,386**

(22) Filed: **Jun. 19, 2013**

(30) **Foreign Application Priority Data**

Dec. 19, 2012 (JP) 2012-030897

(51) **LOC (10) Cl.** **24-02**

(52) **U.S. Cl.**
USPC **D24/130**

(58) **Field of Classification Search**

CPC A61M 5/178; A61M 3/00; A61M 5/20;
A61M 5/31; A61M 5/3146; A61M 5/3129;
A61M 5/3148

USPC D24/112-114, 129, 130, 127, 133, 186,
D24/108; 606/181, 185; 604/264, 500, 506,
604/272, 115, 164.01-164.09, 533, 232,
604/187, 168.01, 192, 19, 48, 93.01, 523,
604/524, 526; 600/101, 139, 143;
128/200.24, 207.14, 207.15

See application file for complete search history.

(56) **References Cited**

U.S. PATENT DOCUMENTS

D399,558 S * 10/1998 Guala et al. D24/112
D425,198 S * 5/2000 Porta D24/130
D449,379 S * 10/2001 Fuhr D24/133
D532,513 S * 11/2006 Eddings D24/127
D543,278 S * 5/2007 Numata et al. D24/130

D573,256 S * 7/2008 Mauch D24/130
D581,044 S * 11/2008 Sudo et al. D24/130
D581,527 S * 11/2008 Jansen D24/130
D668,760 S * 10/2012 Kawamura D24/130
8,313,687 B2 * 11/2012 Sleva et al. 128/207.15
D675,317 S * 1/2013 Baxter et al. D24/130
8,414,537 B2 * 4/2013 Nardeo et al. 604/164.05
D702,835 S * 4/2014 Vinchon D24/130

FOREIGN PATENT DOCUMENTS

EM 001264774-0001 3/2011

* cited by examiner

Primary Examiner — David Muller

(74) *Attorney, Agent, or Firm* — Taft Stettinius & Hollister
LLP

(57) **CLAIM**

The ornamental design for a finger grip for flange of syringe
barrel, as shown and described.

DESCRIPTION

FIG. 1 is a front elevational view of a finger grip for flange of
syringe barrel showing my new design;
FIG. 2 is a rear elevational view thereof;
FIG. 3 is a top plan view thereof;
FIG. 4 is a bottom plan view thereof;
FIG. 5 is a right side elevational view thereof, the left side
elevational view being a minor image thereof;
FIG. 6 is a sectional view thereof taken along line 6-6 of FIG.
1;
FIG. 7 is a sectional view thereof taken along line 7-7 of FIG.
5;
FIG. 8 is a perspective view thereof;
FIG. 9 is a perspective view thereof;
FIG. 10 is a perspective view thereof in a state of use; and,
FIG. 11 is a perspective view thereof in another state of use.
The broken lines are for the purpose of illustrating environ-
mental structure only and form no part of the claimed design.

1 Claim, 11 Drawing Sheets

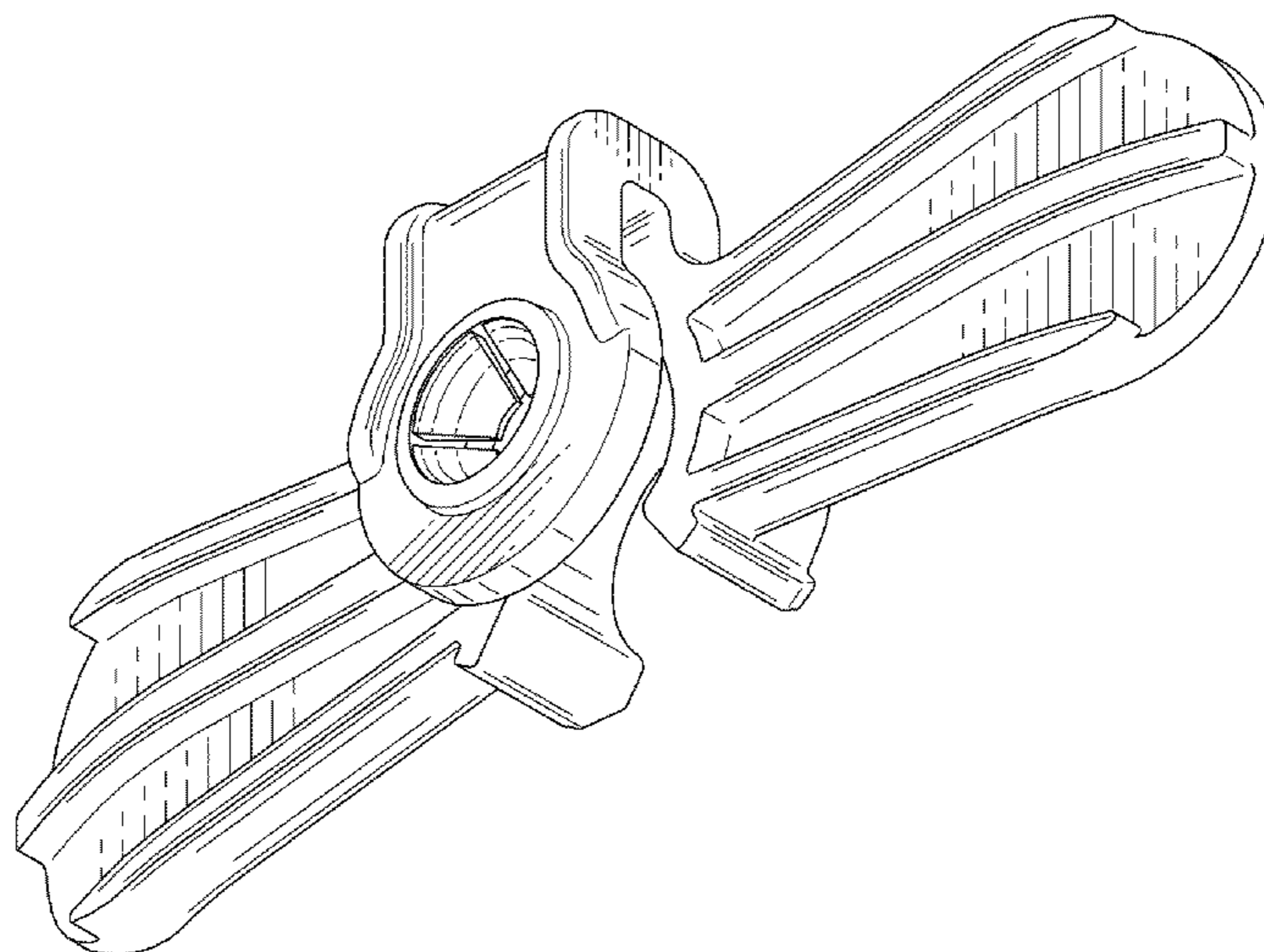


FIG. 1

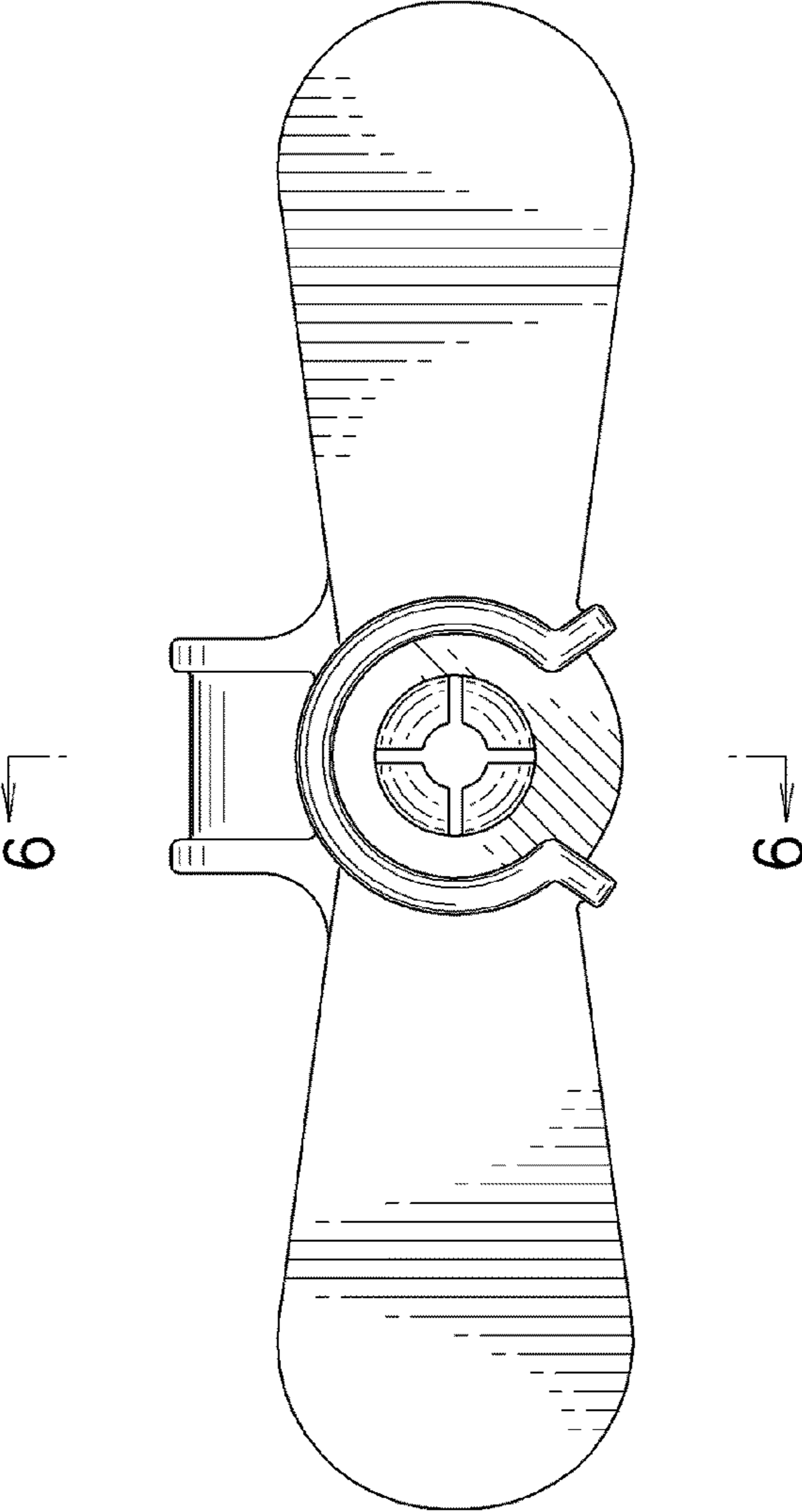


FIG. 2

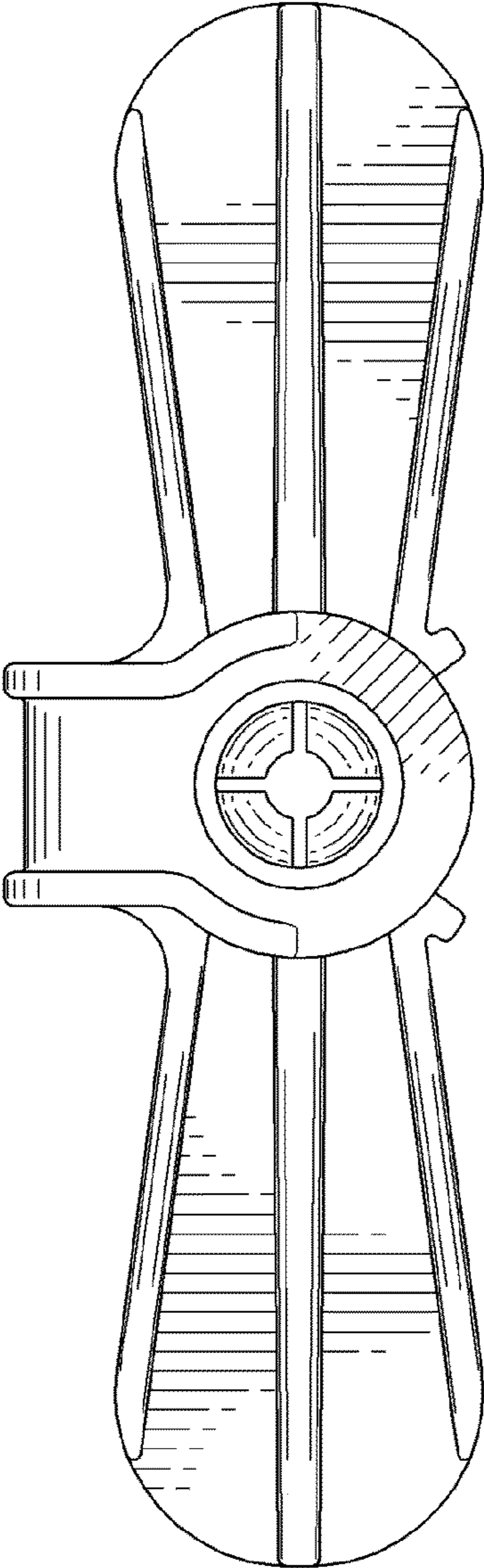


FIG. 3

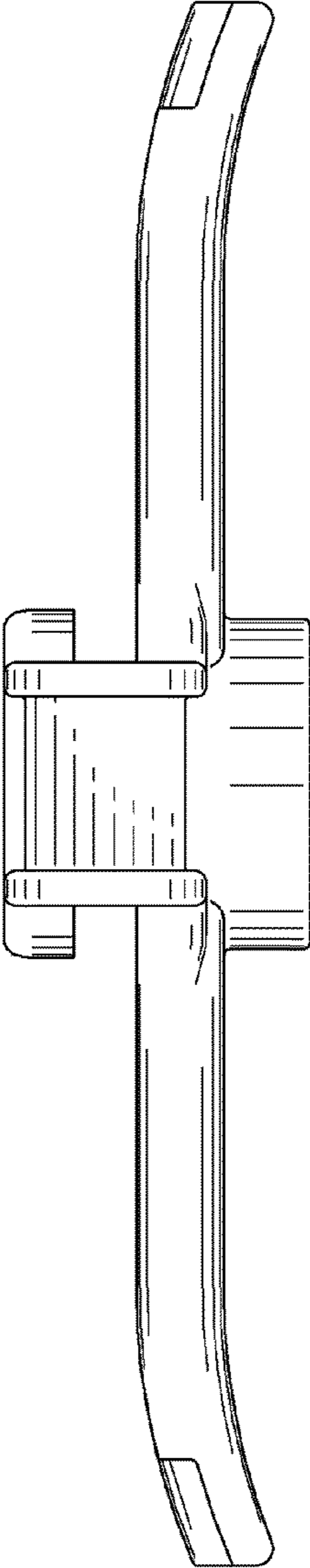


FIG. 4

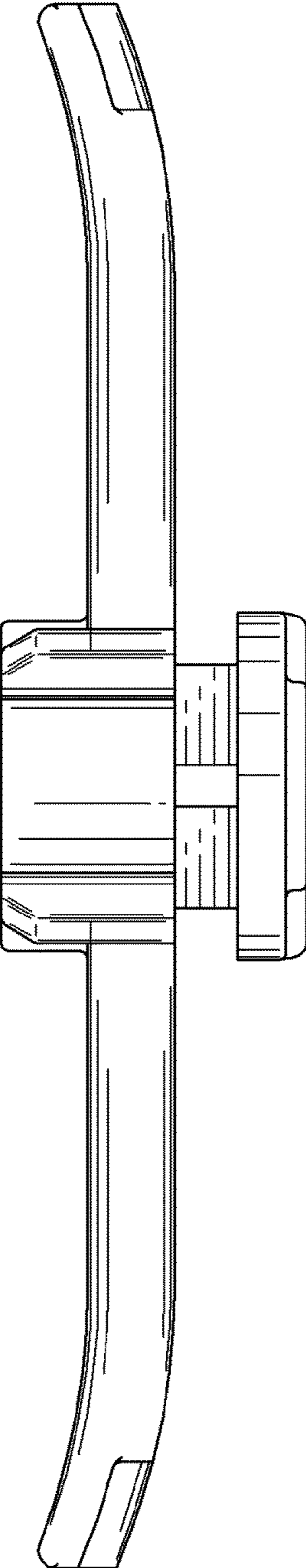


FIG. 5

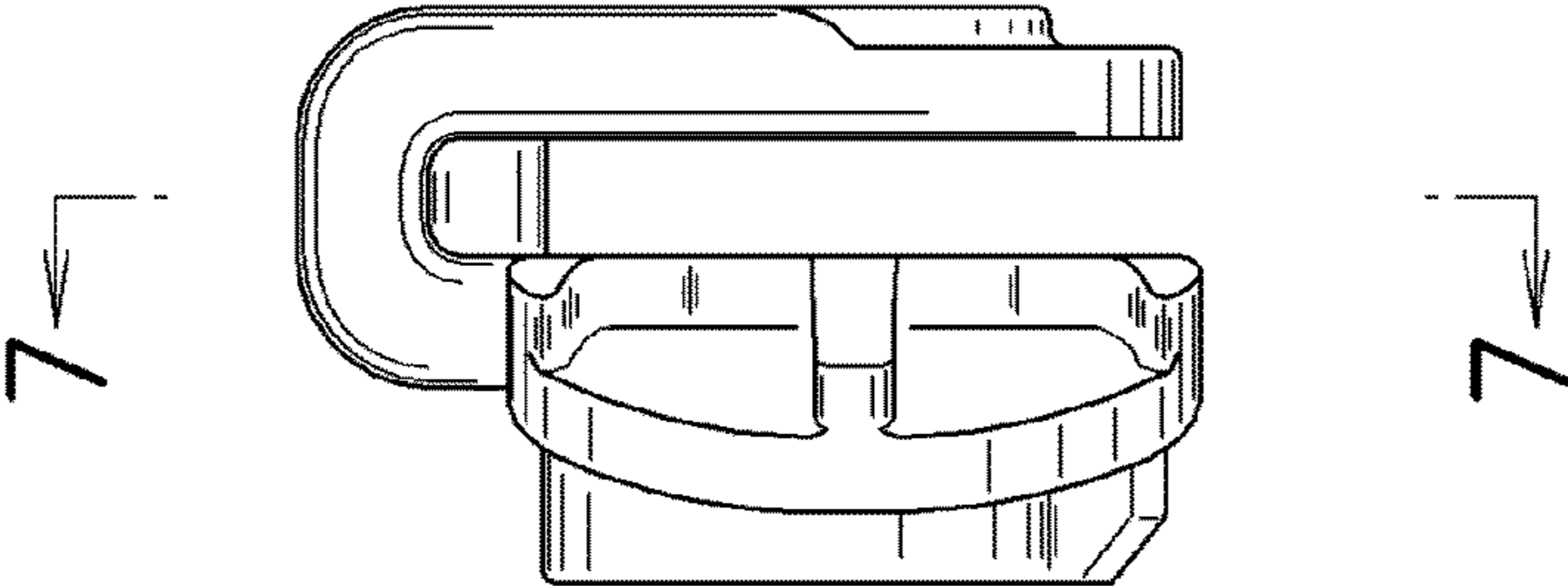


FIG. 6

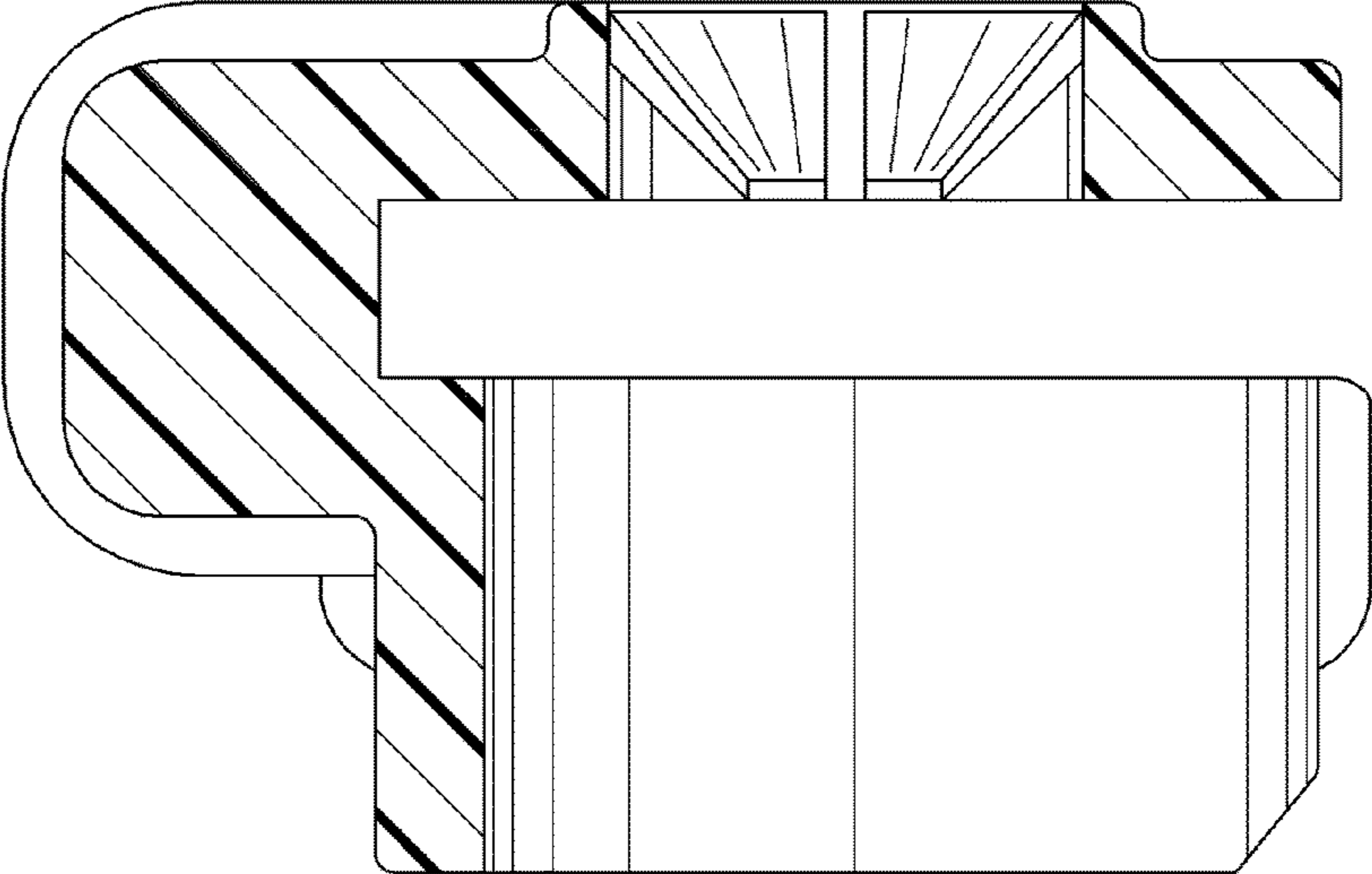


FIG. 7

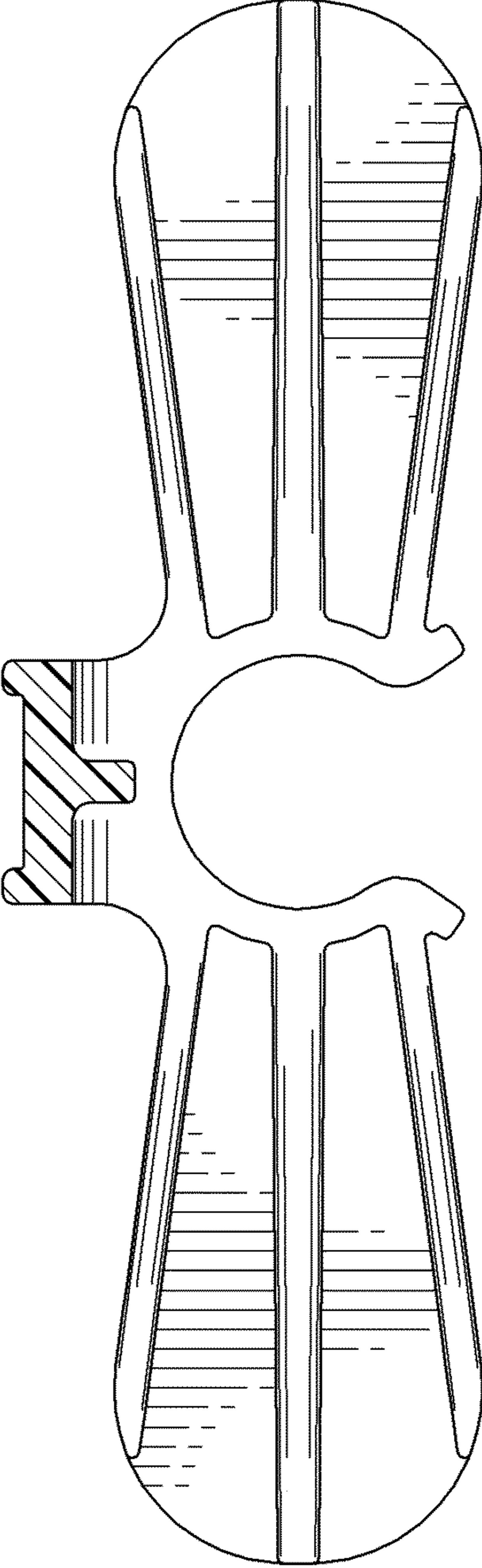


FIG. 8

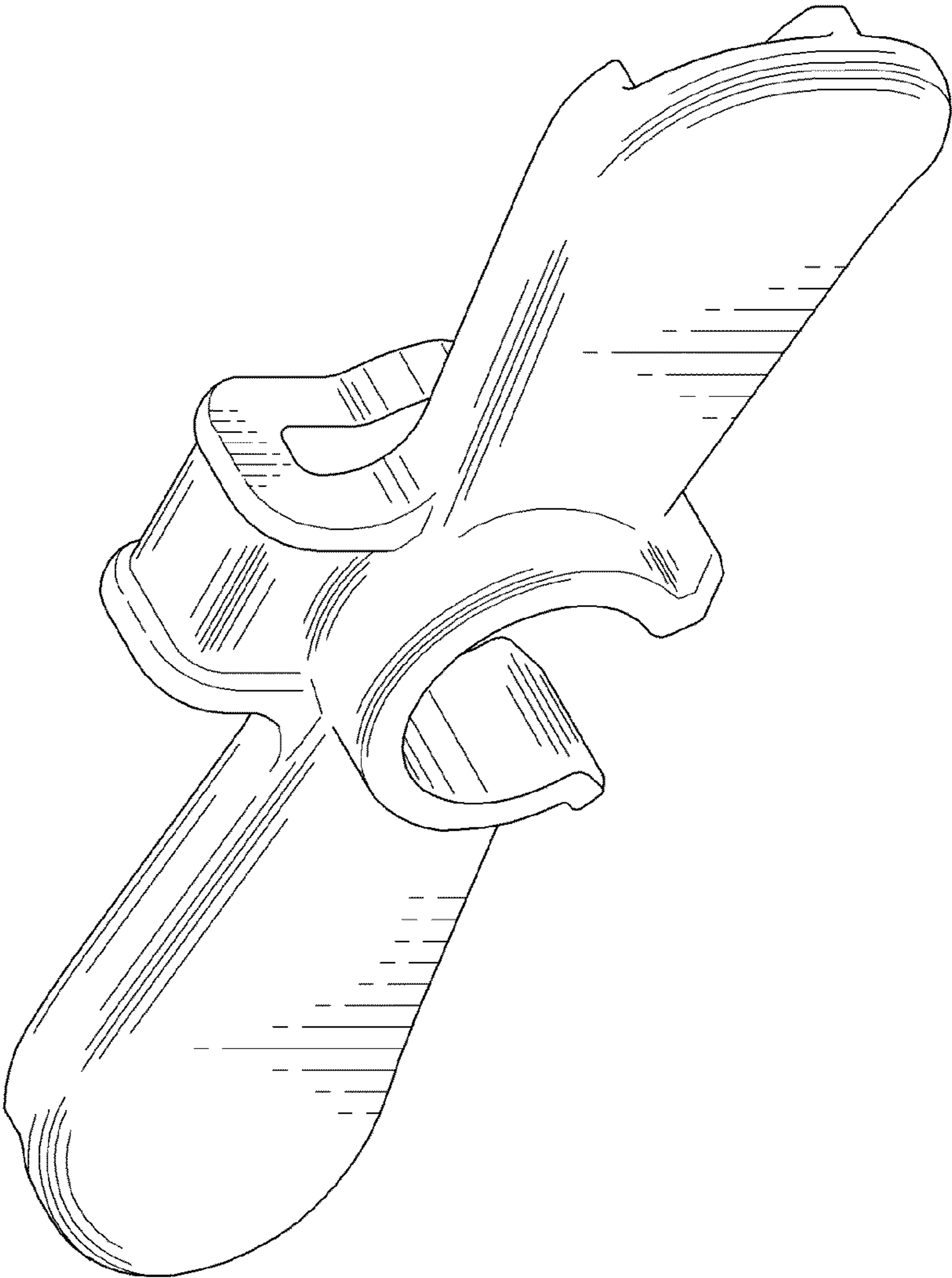


FIG. 9

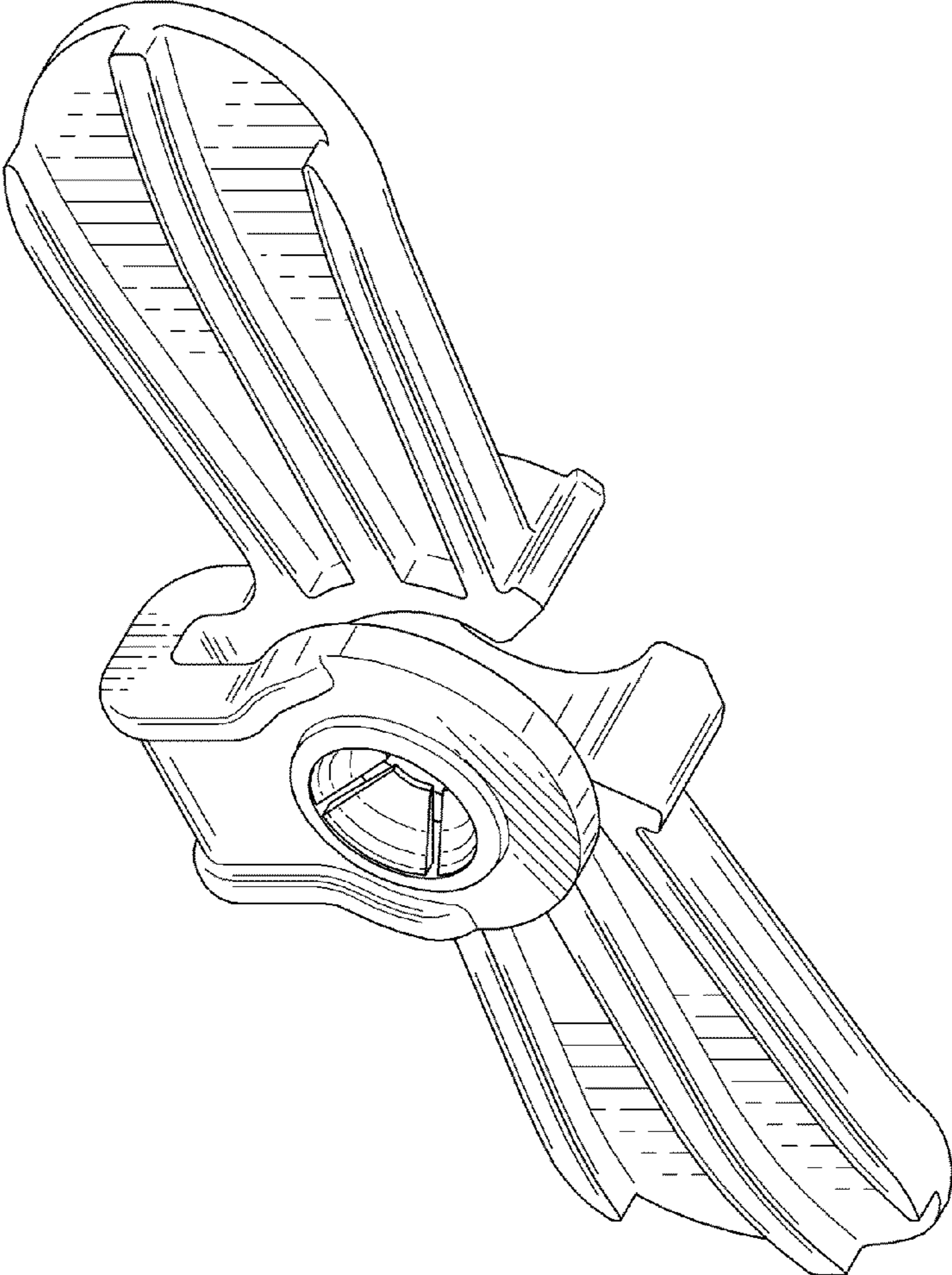


FIG. 10

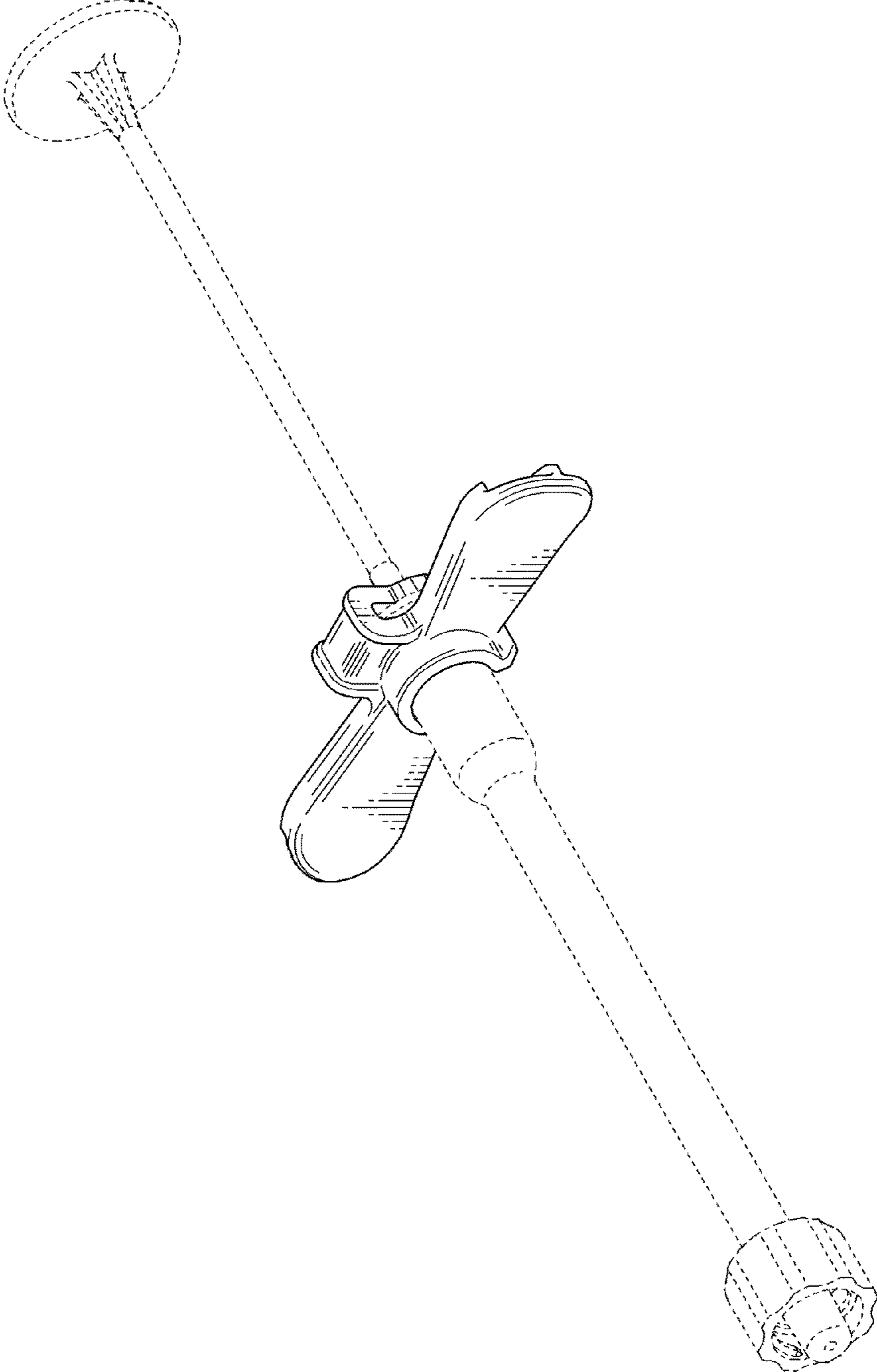


FIG. 11

