



US00D710003S

(12) **United States Design Patent**
Rimsa et al.

(10) **Patent No.:** **US D710,003 S**
(45) **Date of Patent:** **** Jul. 29, 2014**

(54) **TISSUE TRANSFER APPARATUS**

(56) **References Cited**

(71) Applicant: **LifeCell Corporation**, Branchburg, NJ
(US)

U.S. PATENT DOCUMENTS

(72) Inventors: **Joseph Rimsa**, Palo Alto, CA (US);
Brian J. Domecus, San Francisco, CA
(US)

D401,336	S	*	11/1998	Muller et al.	D24/133
D424,194	S	*	5/2000	Holdaway et al.	D24/112
D492,995	S	*	7/2004	Rue et al.	D24/133
D575,393	S	*	8/2008	Stephens	D24/130
8,293,532	B2	*	10/2012	Moynahan	435/430
8,333,740	B2	*	12/2012	Shippert	604/239
D679,011	S	*	3/2013	Kitayama et al.	D24/133
8,409,860	B2	*	4/2013	Moynahan	435/430
D683,851	S	*	6/2013	Greenhalgh	D24/133
D687,549	S	*	8/2013	Johnson et al.	D24/133
D692,559	S	*	10/2013	Scheibel et al.	D24/133
8,622,997	B2	*	1/2014	Shippert	604/542
8,632,498	B2	*	1/2014	Rimsa et al.	604/152

(73) Assignee: **LifeCell Corporation**, Branchburg, NJ
(US)

(**) Term: **14 Years**

* cited by examiner

(21) Appl. No.: **29/435,991**

Primary Examiner — David Muller

(22) Filed: **Oct. 31, 2012**

(74) *Attorney, Agent, or Firm* — McCarter & English, LLP;
Matthew R. Van Eman

Related U.S. Application Data

(63) Continuation-in-part of application No. 13/371,270,
filed on Feb. 10, 2012.

(60) Provisional application No. 61/442,060, filed on Feb.
11, 2011, provisional application No. 61/489,811,
filed on May 25, 2011, provisional application No.
61/510,967, filed on Jul. 22, 2011.

(51) **LOC (10) Cl.** **24-02**

(57) **CLAIM**

The ornamental design for a tissue transfer apparatus, as
shown and described.

(52) **U.S. Cl.**

USPC **D24/113**

DESCRIPTION

(58) **Field of Classification Search**

USPC D24/112–114, 130, 127, 133, 186, 108;
606/181, 185; 604/264, 272, 115,
604/164.01–164.09, 533, 232, 187, 168.01,
604/192, 19, 48, 93.01, 523, 524, 526;
600/101, 139, 143; 128/200.24,
128/207.14, 207.15

FIG. 1 is an environmental front perspective view of a tissue
transfer apparatus;

FIG. 2 is a front perspective view thereof;

FIG. 3 is a rear perspective thereof;

FIG. 4 is an environmental left side elevation view thereof;

FIG. 5 is a top plan view thereof;

FIG. 6 is a bottom plan view thereof;

FIG. 7 is a front elevation view thereof;

FIG. 8 is a rear elevation view thereof;

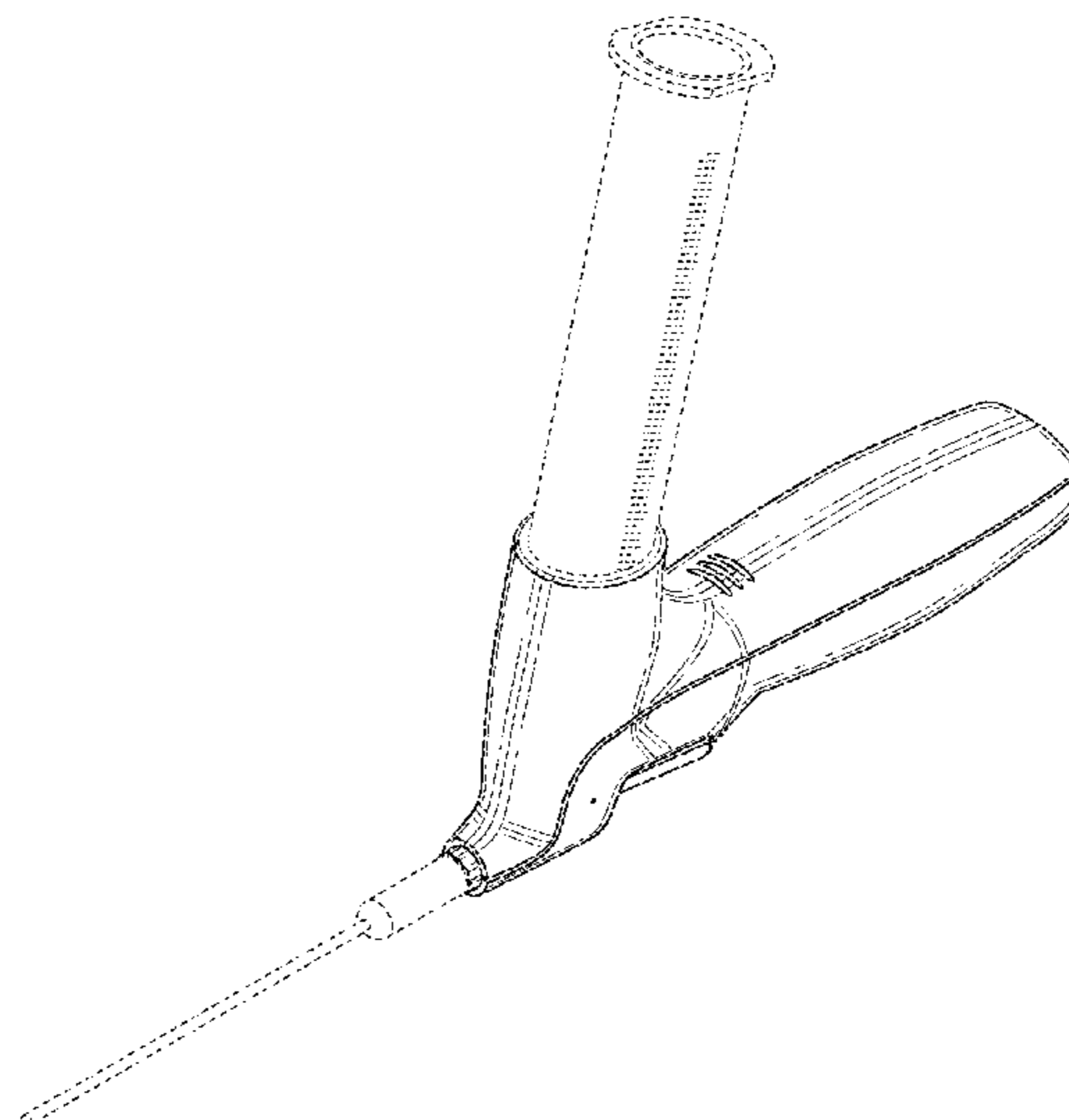
FIG. 9 is a right side elevation view thereof; and,

FIG. 10 is a left side elevation view thereof.

All features illustrated in phantom line are expressly dis-
claimed and form no part of the claimed design.

See application file for complete search history.

1 Claim, 8 Drawing Sheets



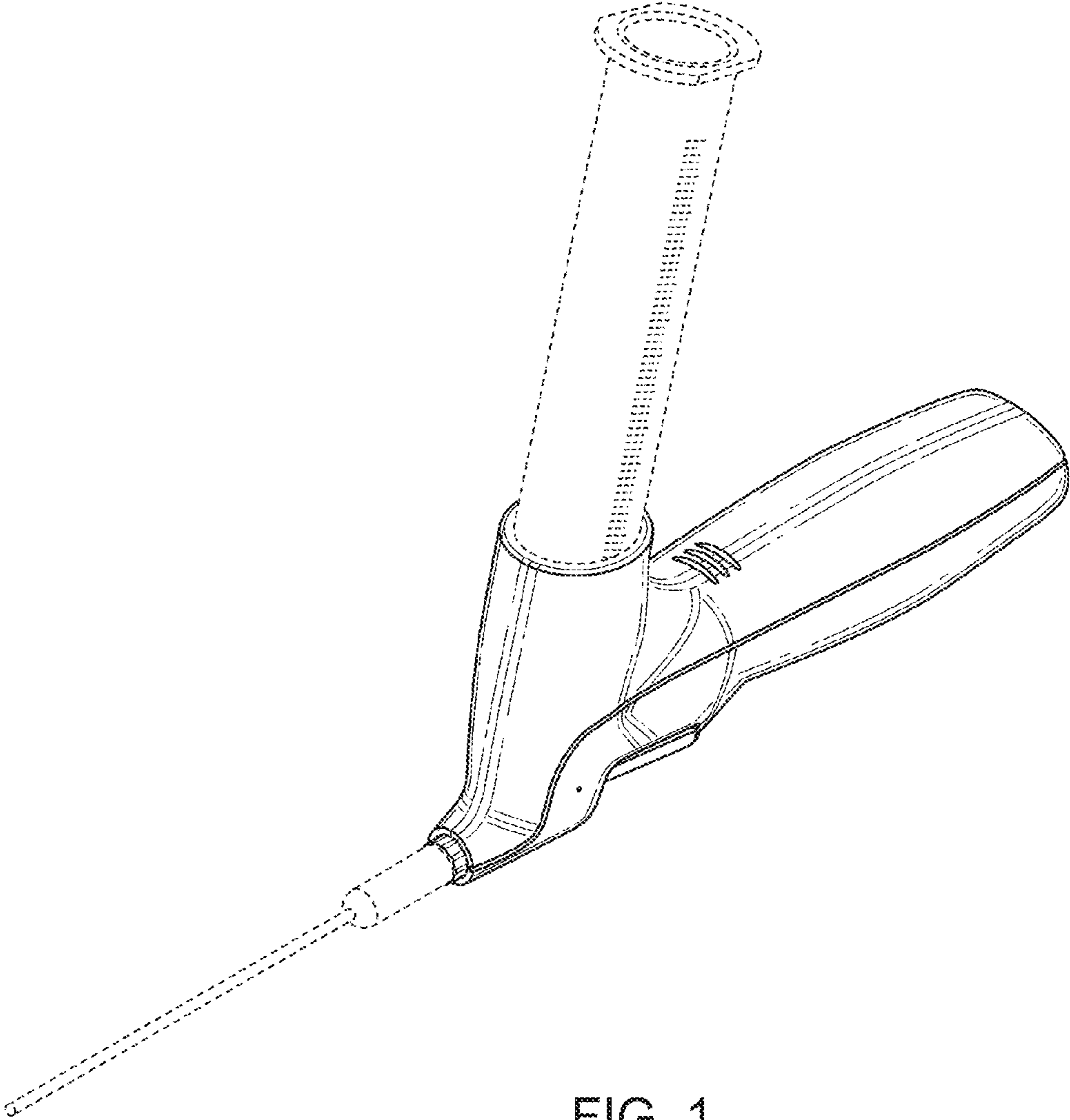


FIG. 1

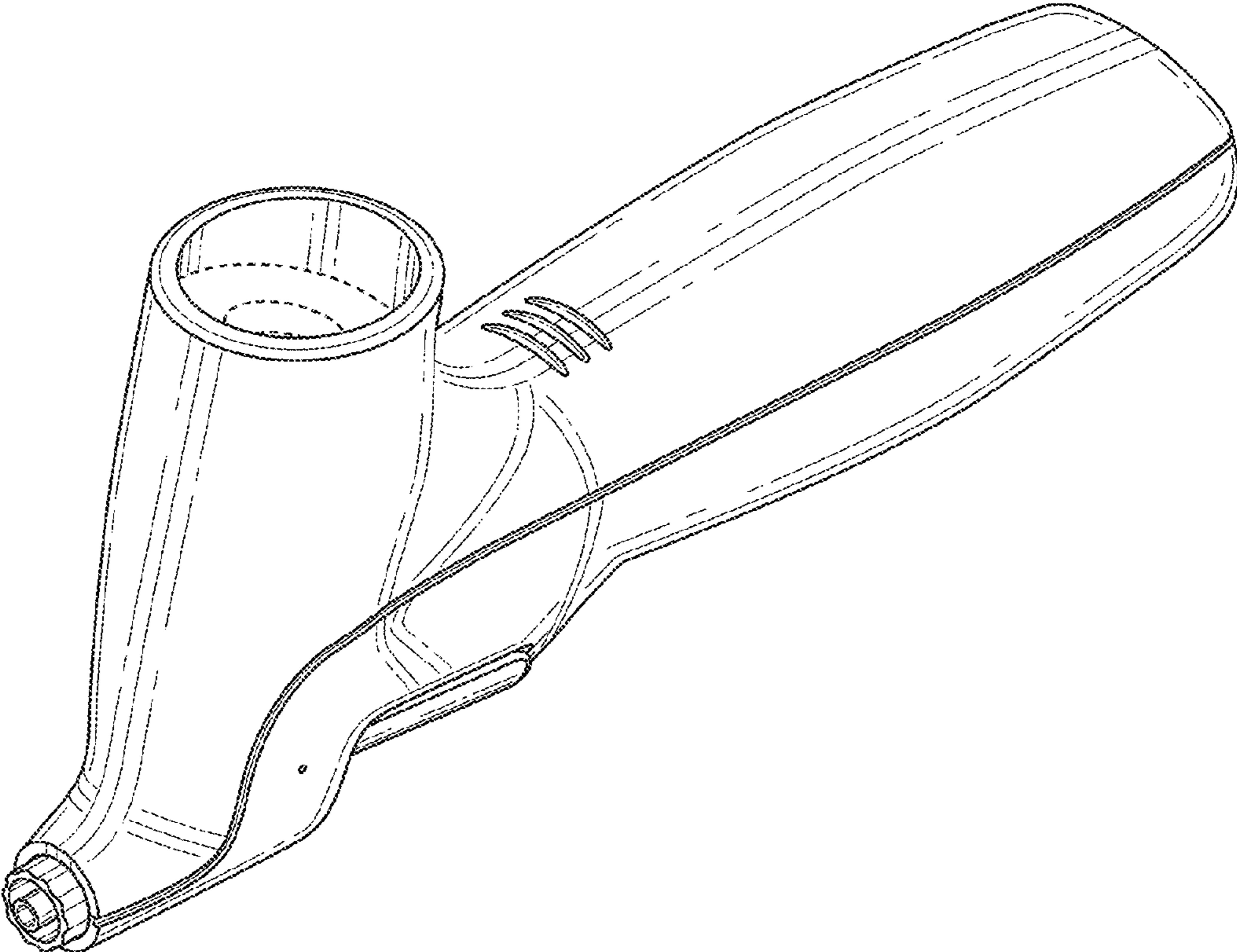


FIG. 2

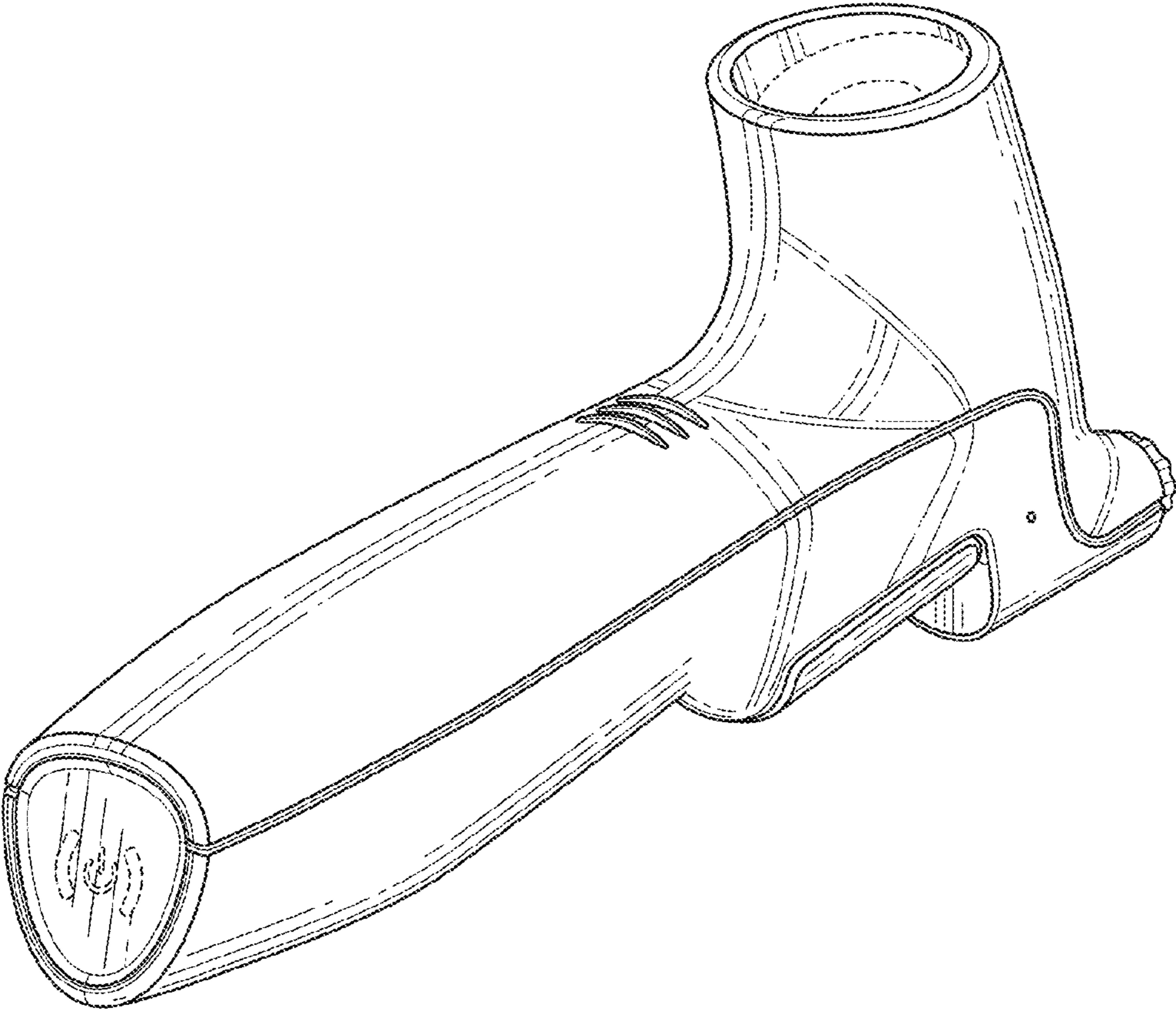


FIG. 3

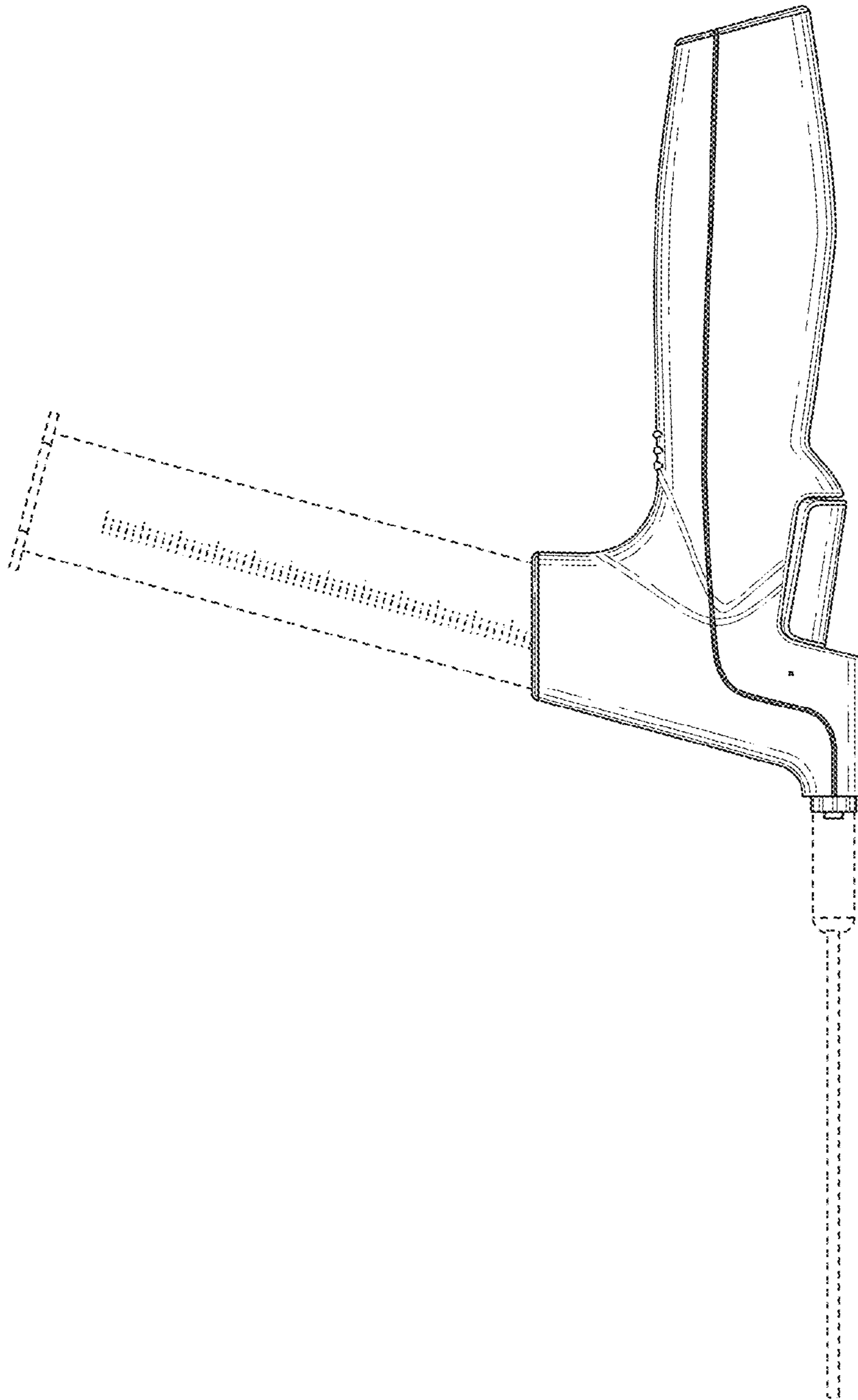


FIG. 4

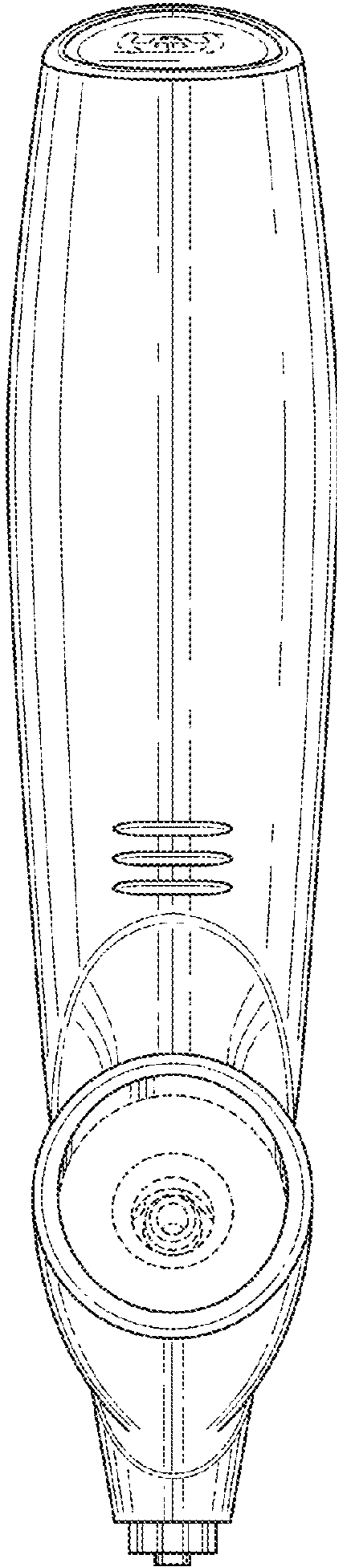


FIG. 5

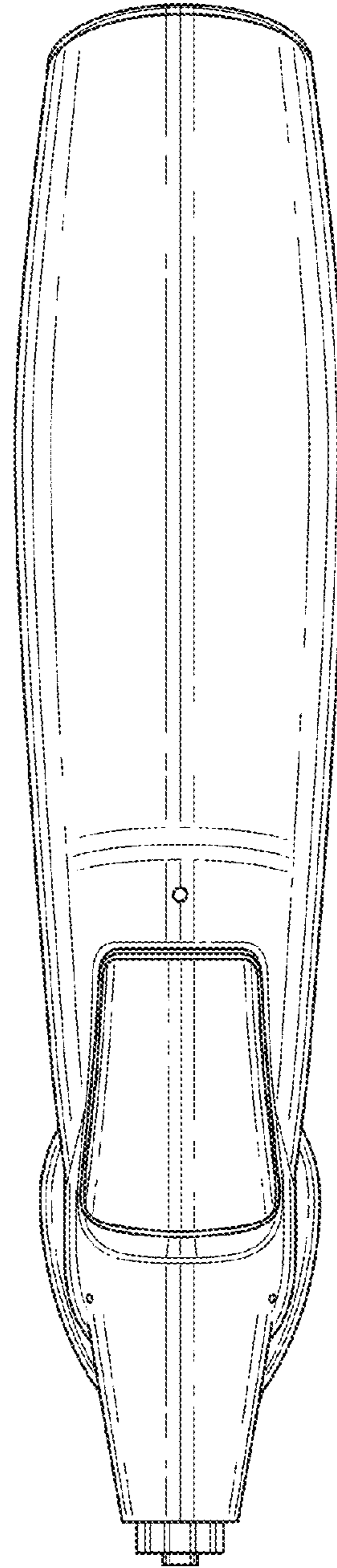


FIG. 6

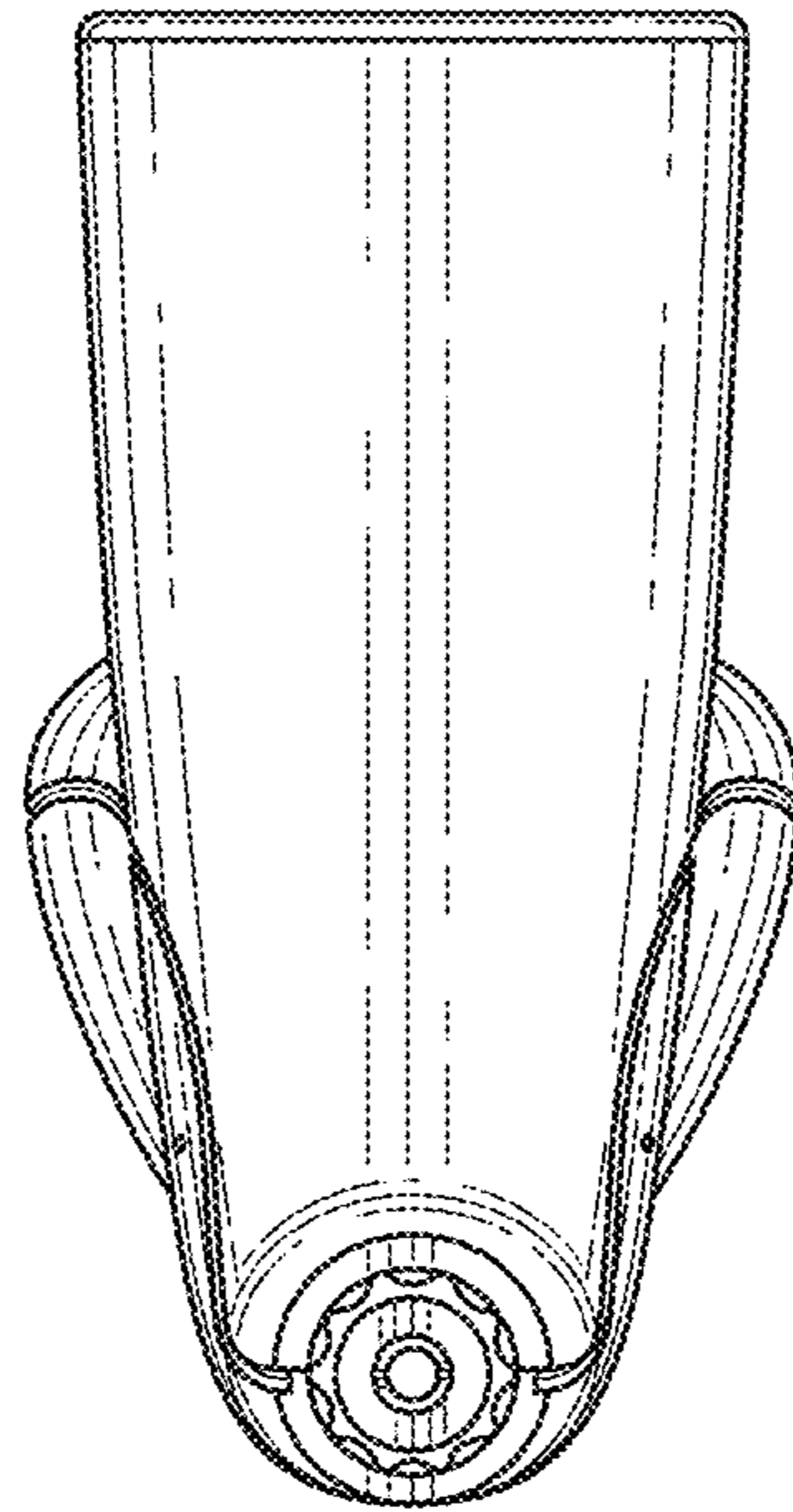


FIG. 7

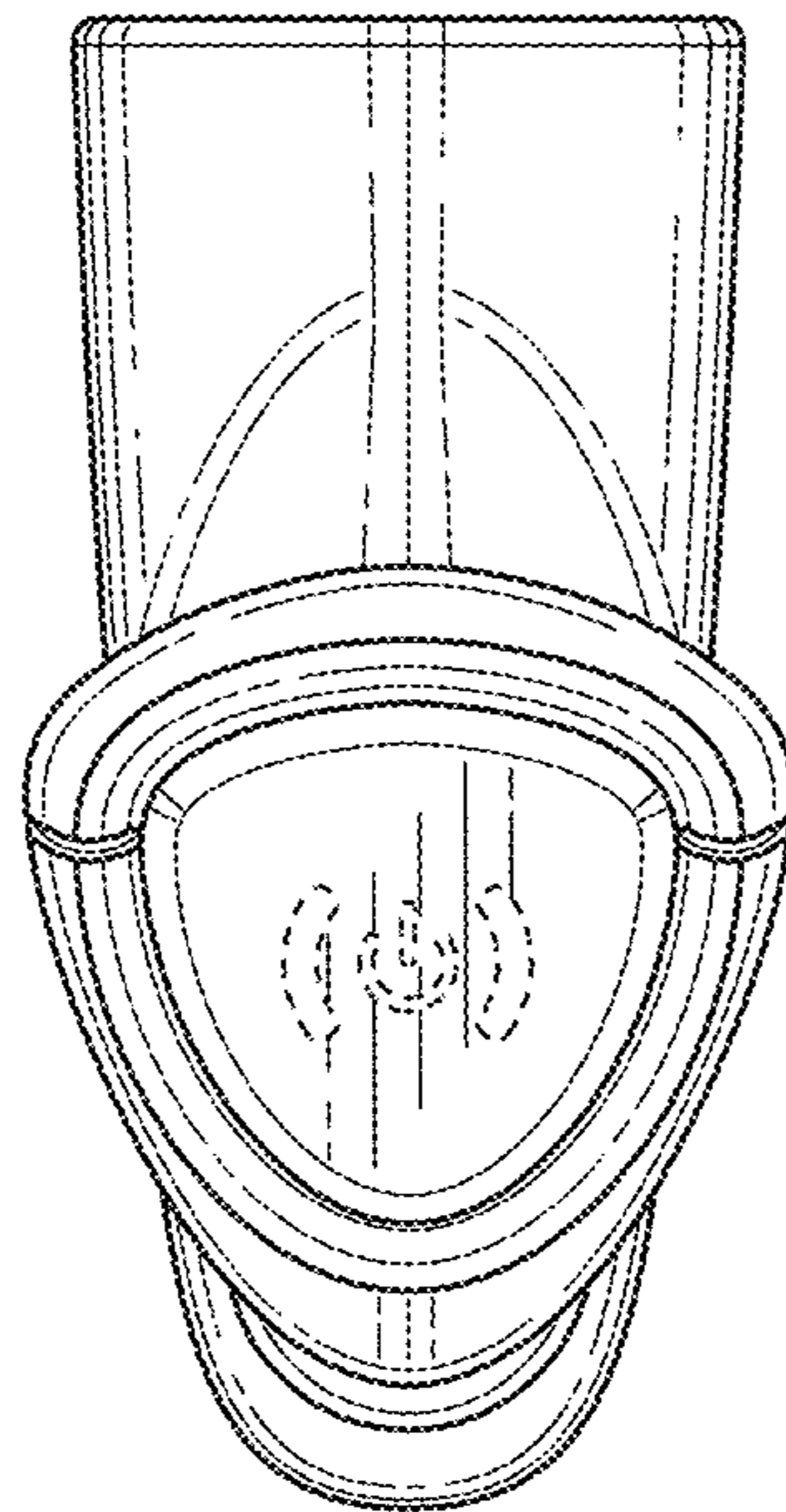


FIG. 8

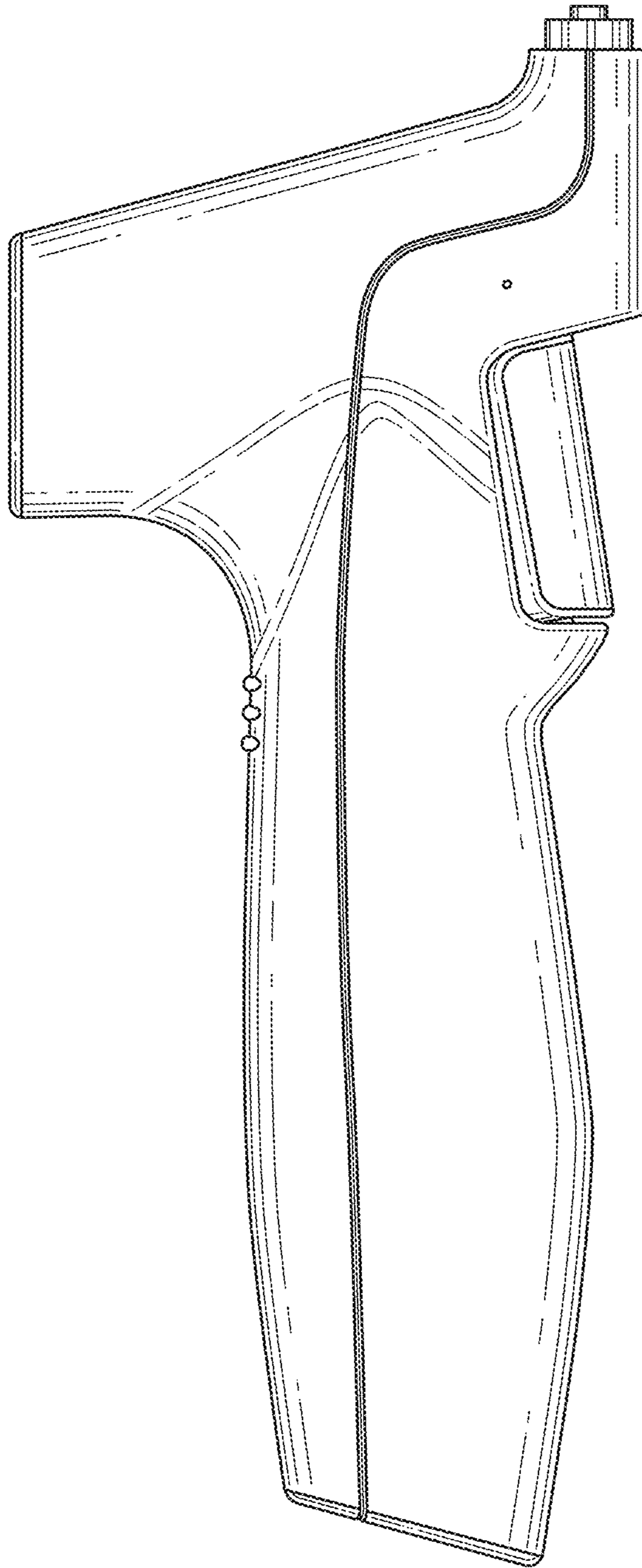


FIG. 9

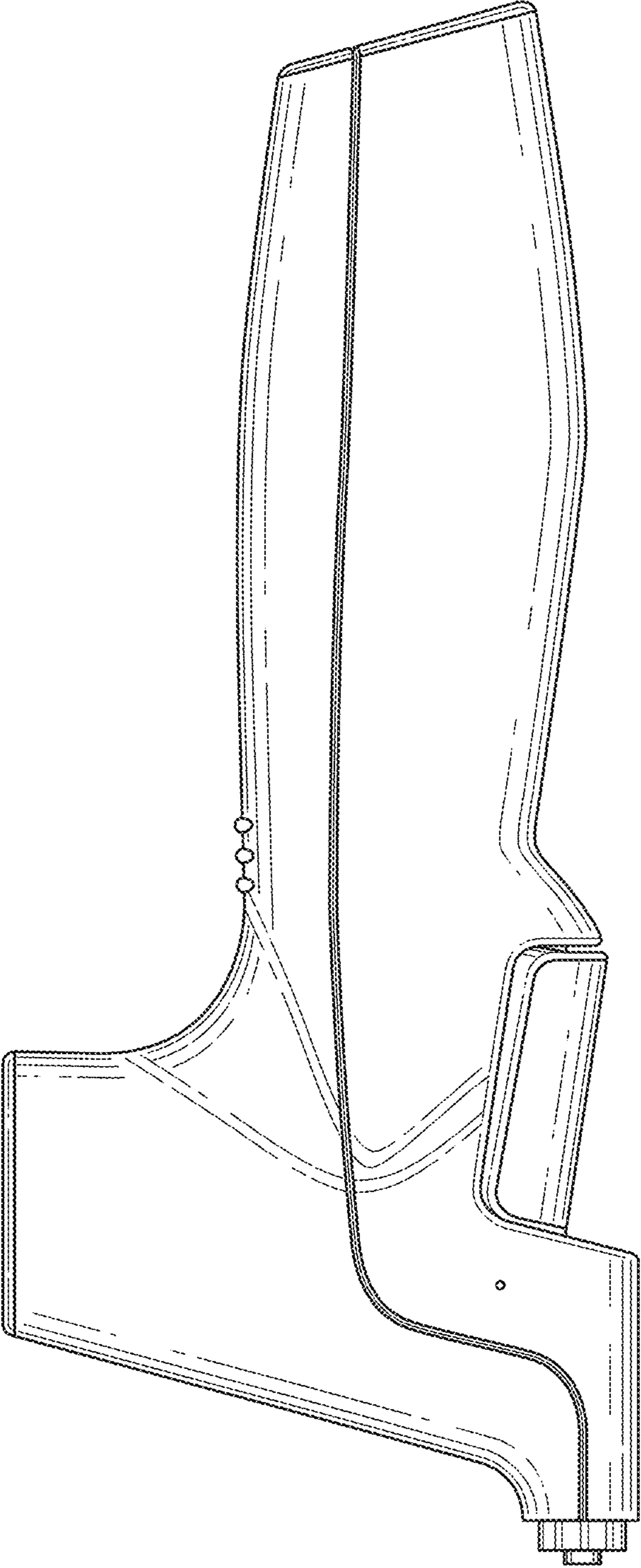


FIG. 10