



US00D710002S

(12) **United States Design Patent**
Valentine et al.

(10) **Patent No.:** **US D710,002 S**
(45) **Date of Patent:** **** Jul. 29, 2014**

(54) **INHALER**

(75) Inventors: **Andrew J. Valentine**, Denver, CO (US);
Charles A. Buckner, III, Chapel Hill,
NC (US)

(73) Assignee: **Oriel Therapeutics, Inc.**, Durham, NC
(US)

(**) Term: **14 Years**

(21) Appl. No.: **29/420,366**

(22) Filed: **May 8, 2012**

(51) **LOC (10) Cl.** **29-02**

(52) **U.S. Cl.**
USPC **D24/110**

(58) **Field of Classification Search**
USPC D24/110, 110.5; D23/366; D9/420;
128/200.14, 200.21, 200.23, 203.15,
128/203.21, 203.23
See application file for complete search history.

(56) **References Cited**

U.S. PATENT DOCUMENTS

D269,463	S	*	6/1983	Young	D24/110
D355,029	S	*	1/1995	Kinneir et al.	D24/110
D518,569	S	*	4/2006	Nishibayashi et al.	D24/110
D560,793	S		1/2008	Pearl et al.		
7,624,733	B2	*	12/2009	Riley et al.	128/203.21
D613,397	S		4/2010	Nakao et al.		
D628,490	S	*	12/2010	Sato et al.	D9/529
D637,282	S		5/2011	Harvey et al.		
D641,890	S	*	7/2011	Nardo	D24/224
D643,529	S		8/2011	Clarke et al.		
2004/0173211	A1	*	9/2004	Kladders et al.	128/203.15
2010/0192949	A1	*	8/2010	Wright et al.	128/203.15
2011/0120463	A1	*	5/2011	Esteve et al.	128/203.15

OTHER PUBLICATIONS

Spiriva® HandiHaler®, Instructions for Use, Copyright 2011
Boehringer Ingelheim International GmbH, 8 pages.

* cited by examiner

Primary Examiner — Ian Simmons

Assistant Examiner — Richelle G Shelton

(74) *Attorney, Agent, or Firm* — Myers Bigel Sibley &
Sajovec, P.A.

(57) **CLAIM**

The ornamental design for an inhaler, as shown and
described.

DESCRIPTION

FIG. 1 is a front, top perspective view of an inhaler showing
our design;

FIG. 2 is a front, bottom and perspective view thereof;

FIG. 3 is a front view thereof;

FIG. 4 is a side view thereof;

FIG. 5 is a rear view, opposite the front view of FIG. 3;

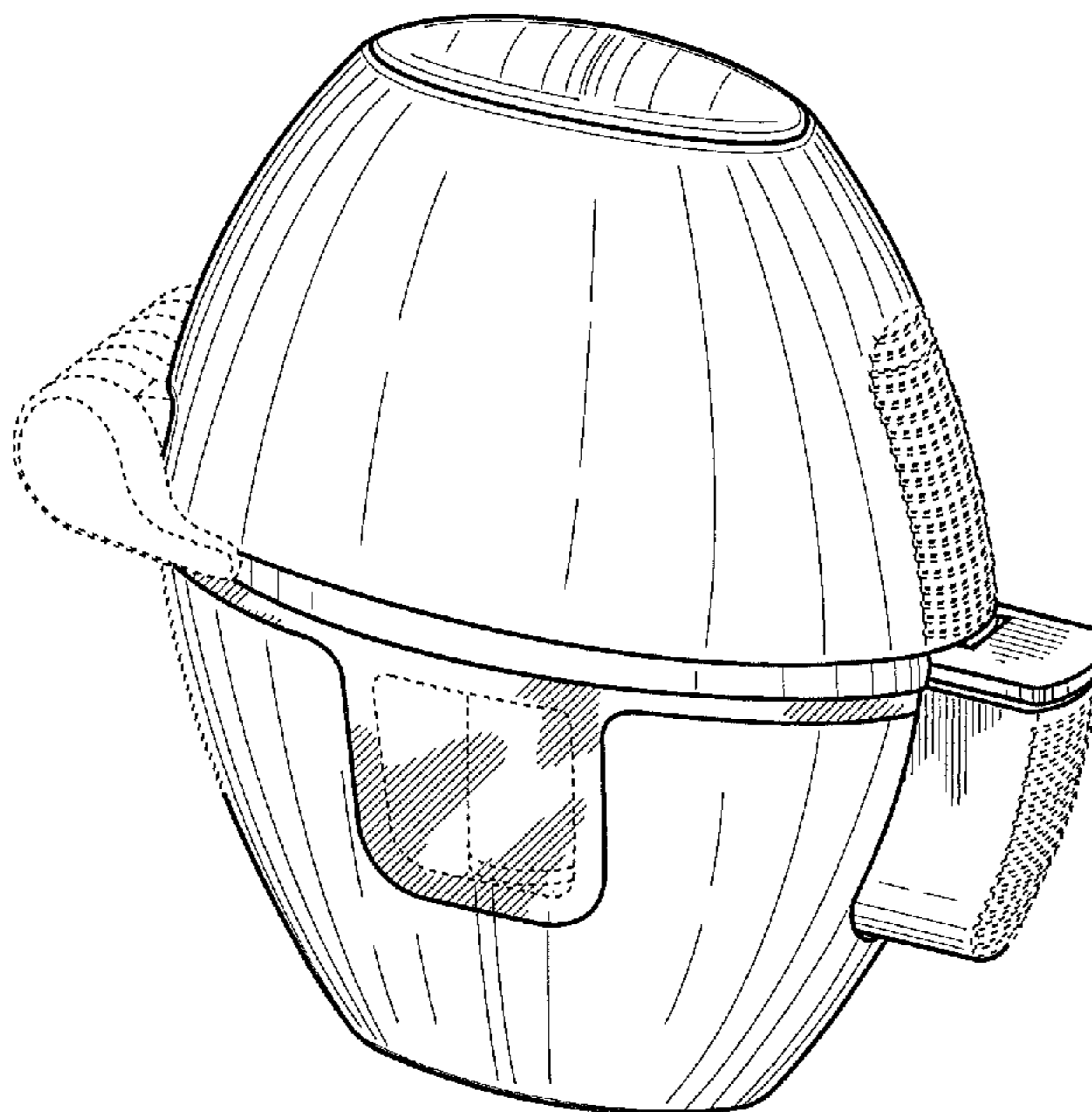
FIG. 6 is a side view, opposite the view shown in FIG. 4;

FIG. 7 is a top view thereof; and,

FIG. 8 is a bottom view thereof.

The broken line showing of a hinge and textured surfaces is
included for the purpose of illustrating environmental struc-
ture and forms no part of the claimed design. The broken line
showing on the front and rear surfaces of the article is
included for the purpose of illustrating environmental struc-
ture through a translucent surface and forms no part of the
claimed design.

1 Claim, 4 Drawing Sheets



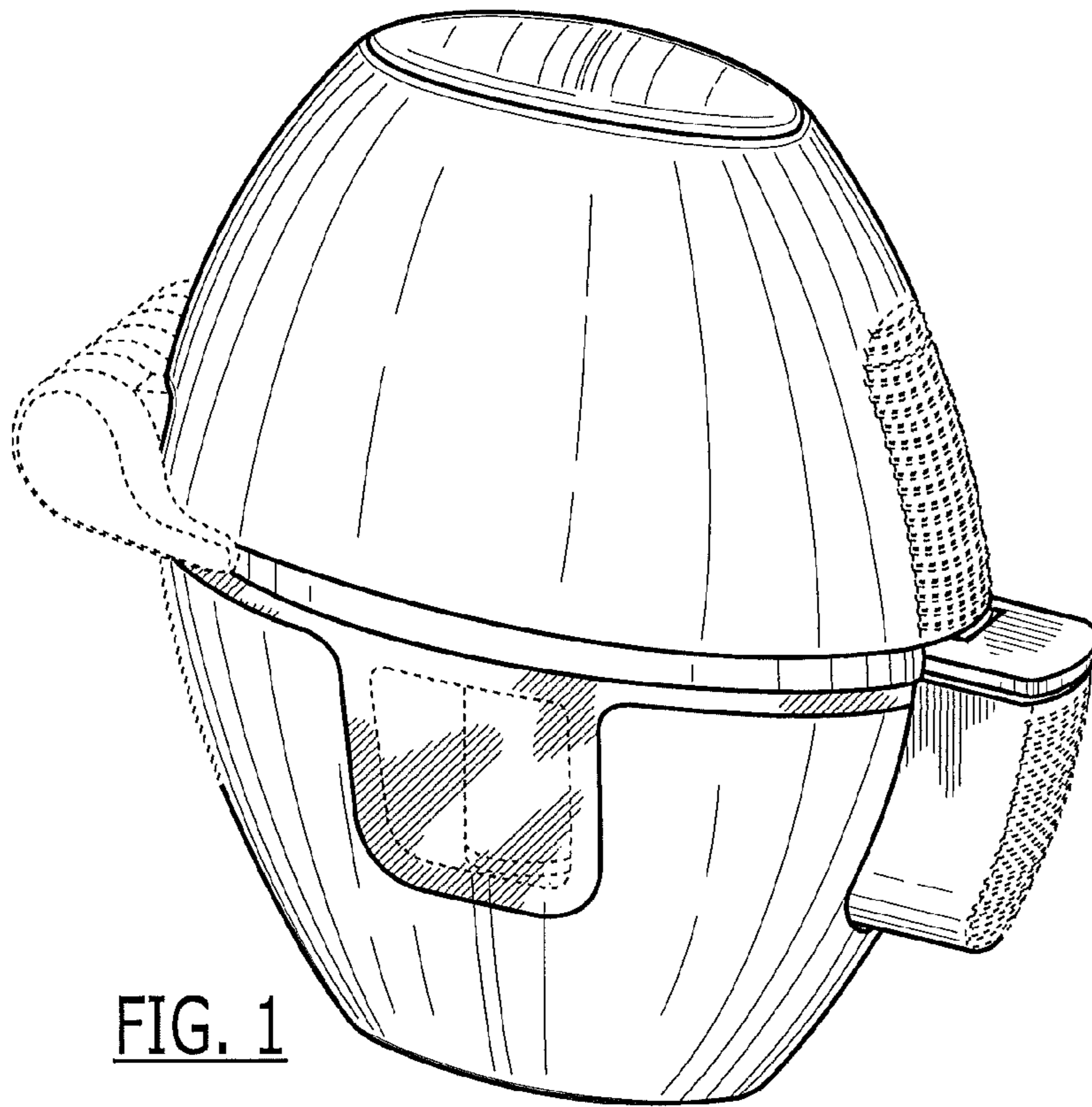


FIG. 1

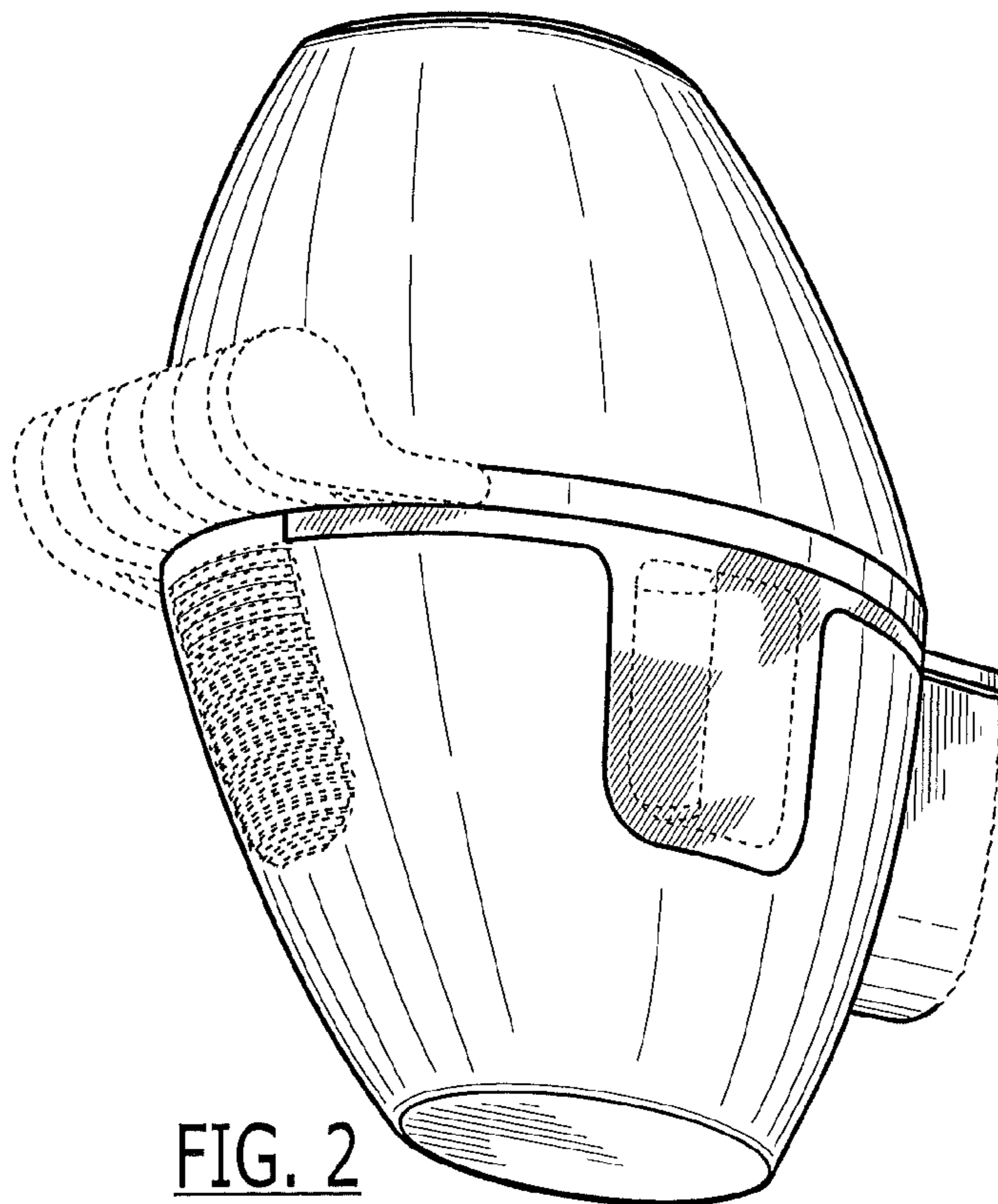


FIG. 2

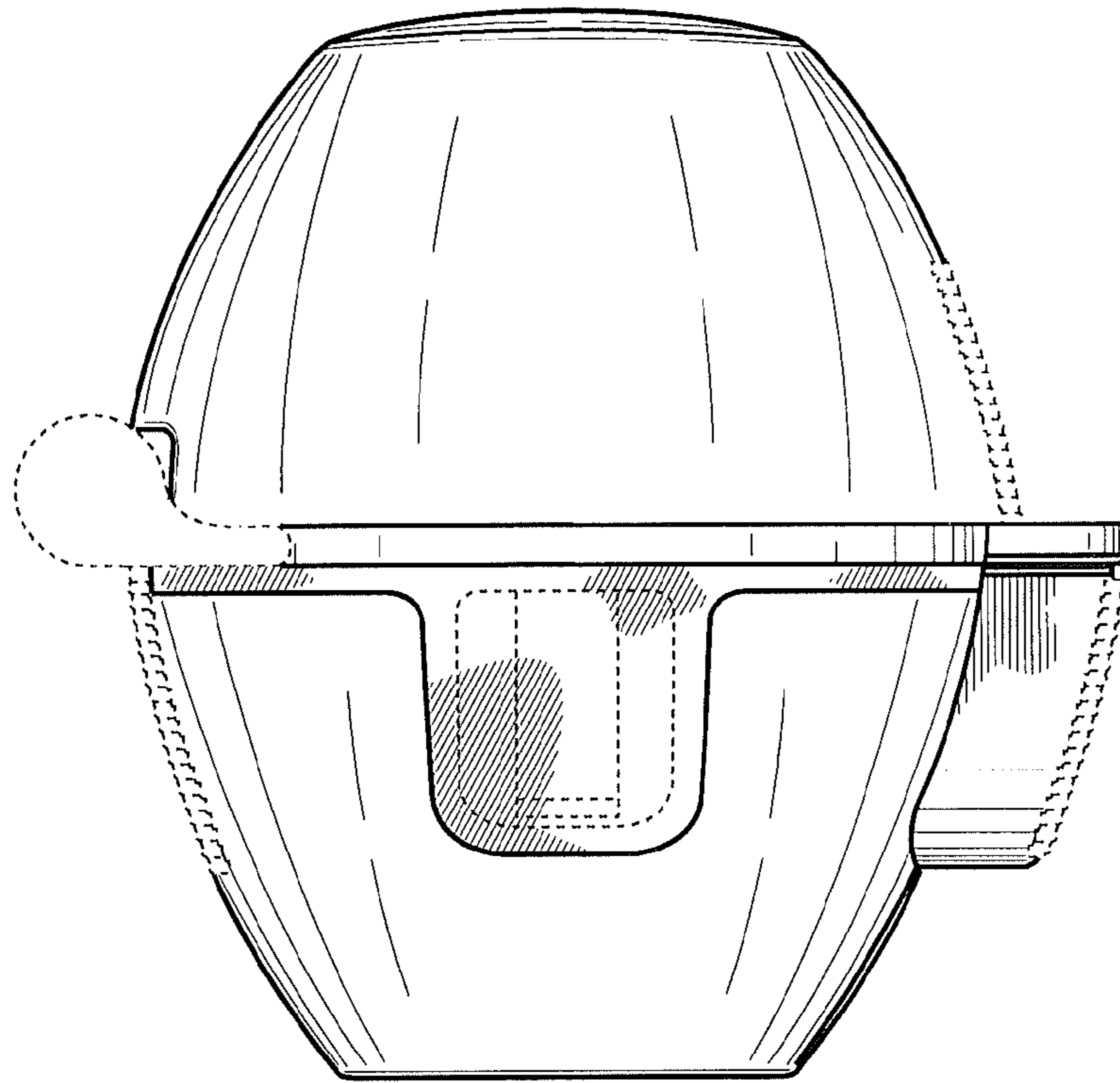


FIG. 3

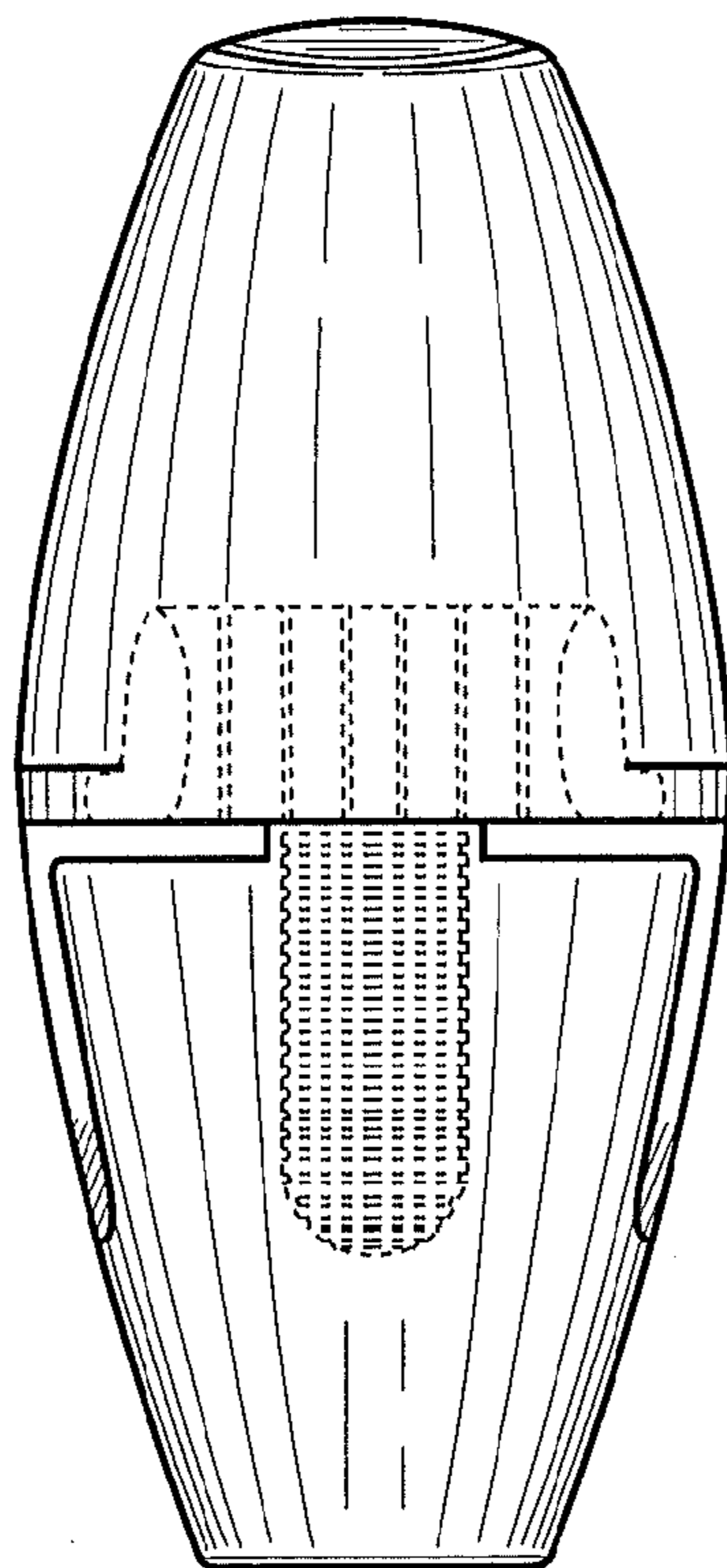


FIG. 4

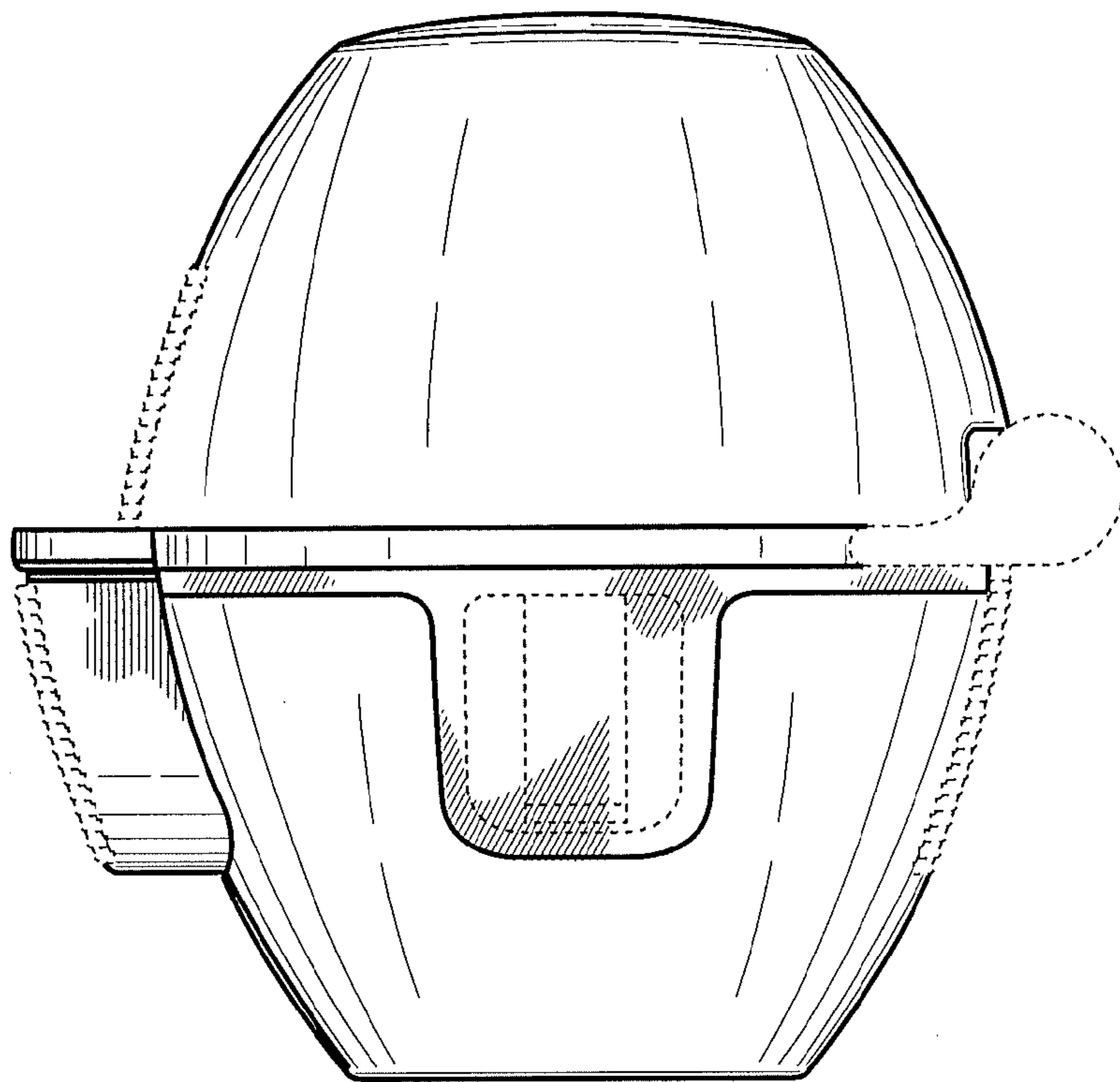


FIG. 5

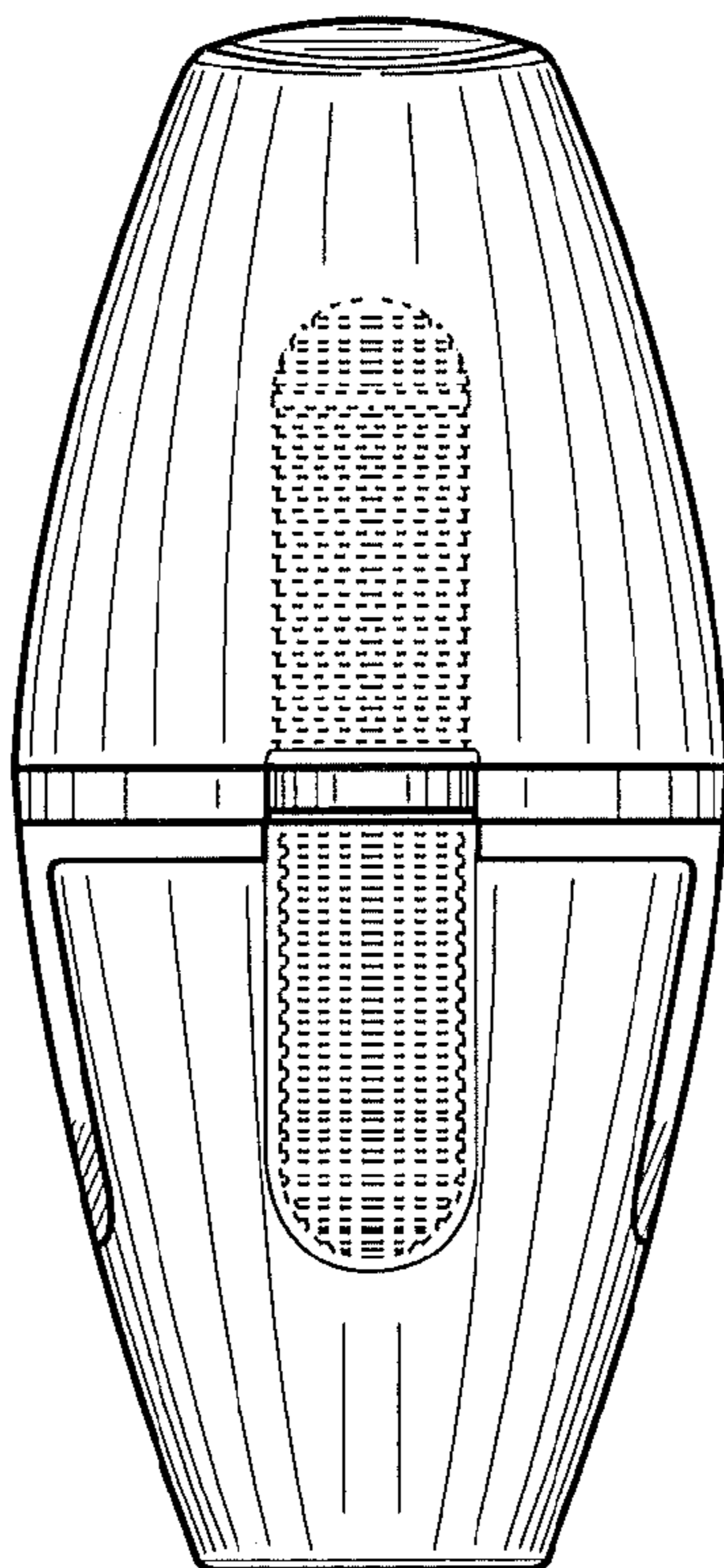


FIG. 6

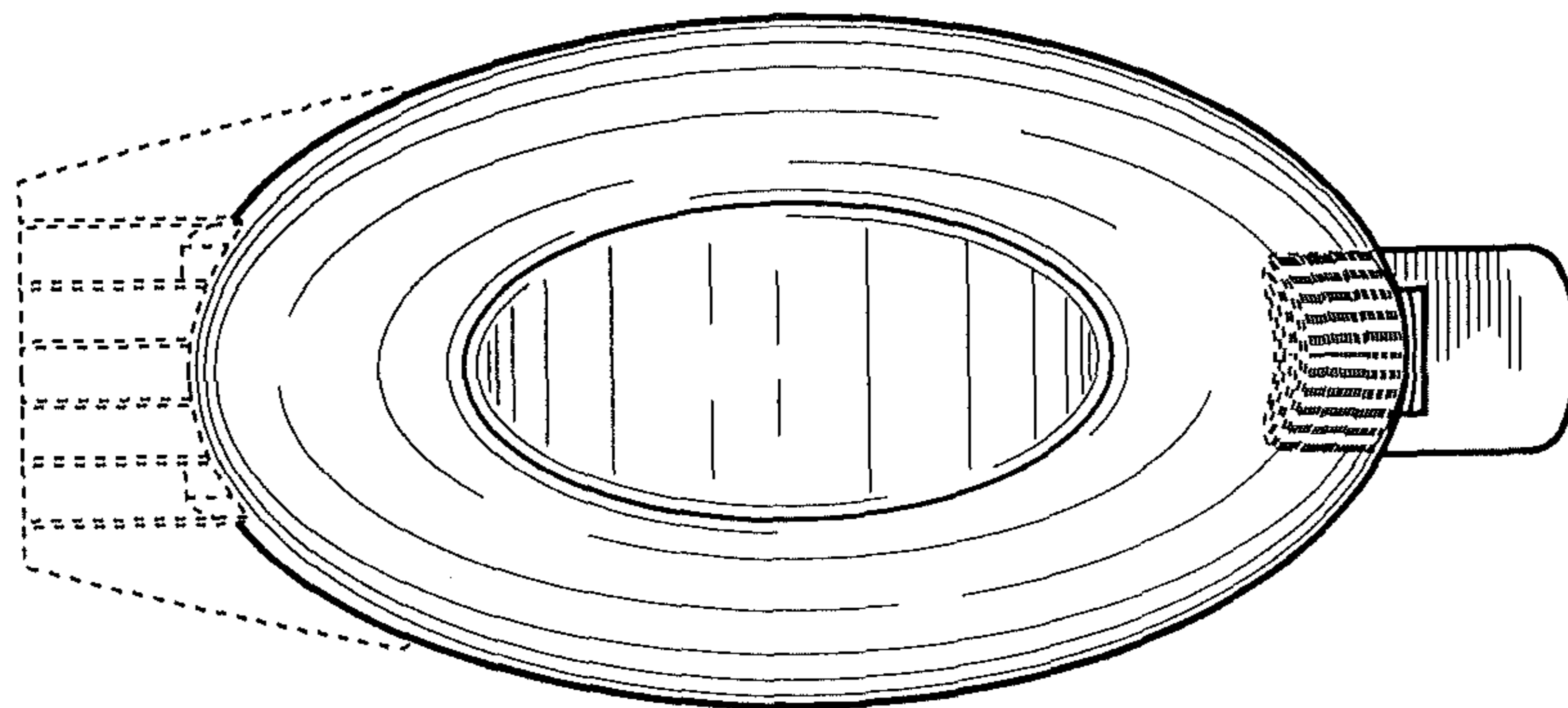


FIG. 7

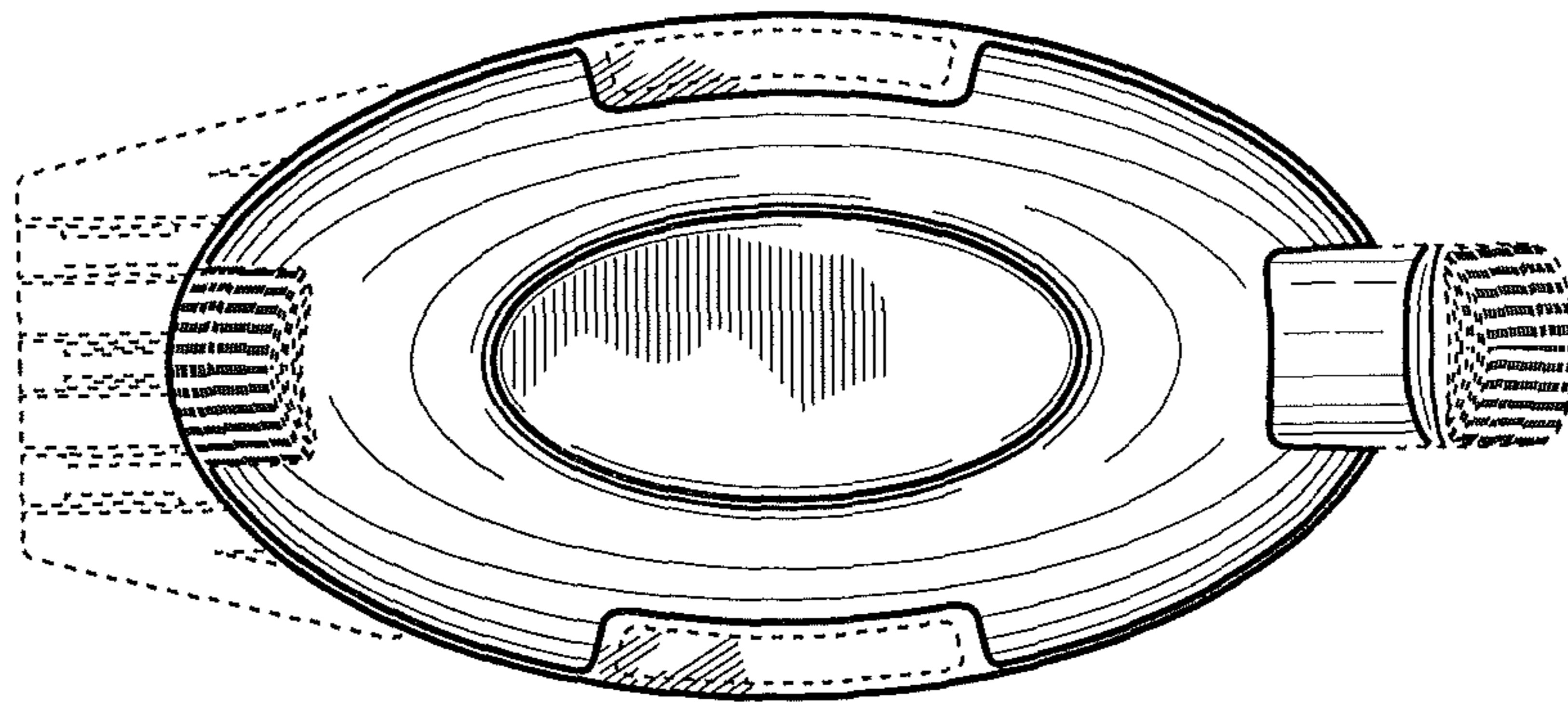


FIG. 8