



US00D710001S

(12) **United States Design Patent**
Wang

(10) **Patent No.:** **US D710,001 S**
(45) **Date of Patent:** **** Jul. 29, 2014**

(54) **CEILING FAN MOTOR HOUSING**

(75) Inventor: **Cliff Wang**, Taichung (TW)

(73) Assignee: **Air Cool Industrial Co., Ltd.**, Taichung (TW)

(**) Term: **14 Years**

(21) Appl. No.: **29/428,596**

(22) Filed: **Aug. 1, 2012**

(51) **LOC (10) Cl.** **23-04**

(52) **U.S. Cl.**
USPC **D23/411**

(58) **Field of Classification Search**
CPC ... F21V 33/0096; F21V 21/03; F04D 25/088;
F04D 29/34; F04D 25/08; F04D 25/005;
F04D 29/646; F04D 29/263; F04D 25/06;
F04D 29/20; F04D 29/242; F04D 29/325;
F04D 29/38; F04D 19/002; F04D 1/04;
F04D 29/322; Y02E 10/721; F21Y 2103/022;
F21Y 2103/02; F03D 1/0691; F03D 3/005;
F03D 1/0666; F03D 1/0675; F03D 3/002;
F05B 2250/25; F21S 8/00; F21W 2131/401;
A61L 2209/12; A61L 9/122; A61M 1/101;
F24F 1/0029; A47G 2200/08; A47G 23/0309;
F21L 11/00; F21L 14/00
USPC D23/411-414, 324, 331, 343, 385,
D23/370-384, 387, 499; D8/323, 327, 349,
D8/354, 373, 380-387, 394, 397, 398;
D11/78.1, 86; D26/59, 51, 72, 73,
D26/80-86, 88, 90; 16/265, 382, 388, 389;
248/188, 243, 398; 392/361, 364;
416/5, 170 R, 214 R, 184, 206, 207,
416/210 R, 220 R, 244 R, 248; 362/96

See application file for complete search history.

(56) **References Cited**

U.S. PATENT DOCUMENTS

D45,313	S	*	2/1914	Schoenhardt	D26/88
D66,993	S	*	4/1925	Verhunce	D26/132
1,611,049	A	*	12/1926	Lassonde	392/361
D82,179	S	*	9/1930	Ringwald	D23/379
D84,831	S	*	8/1931	Rehoe	D23/378
4,402,649	A	*	9/1983	Laurel	416/5
D285,720	S	*	9/1986	Markwardt	D23/377
4,685,038	A	*	8/1987	Huang	362/352
4,711,161	A	*	12/1987	Swin et al.	454/230
D324,565	S	*	3/1992	Fraser	D23/411
5,097,398	A	*	3/1992	Dye	362/147
D355,028	S	*	1/1995	Tsuji	D23/377
5,439,350	A	*	8/1995	Yu	416/5
5,441,387	A	*	8/1995	Yu	416/5
5,632,599	A	*	5/1997	Townsend	416/42
5,655,877	A	*	8/1997	Yu	416/5
5,672,048	A	*	9/1997	Yu	416/5
5,839,881	A	*	11/1998	Yu	416/5
D406,332	S	*	3/1999	Liu	D23/411

(Continued)

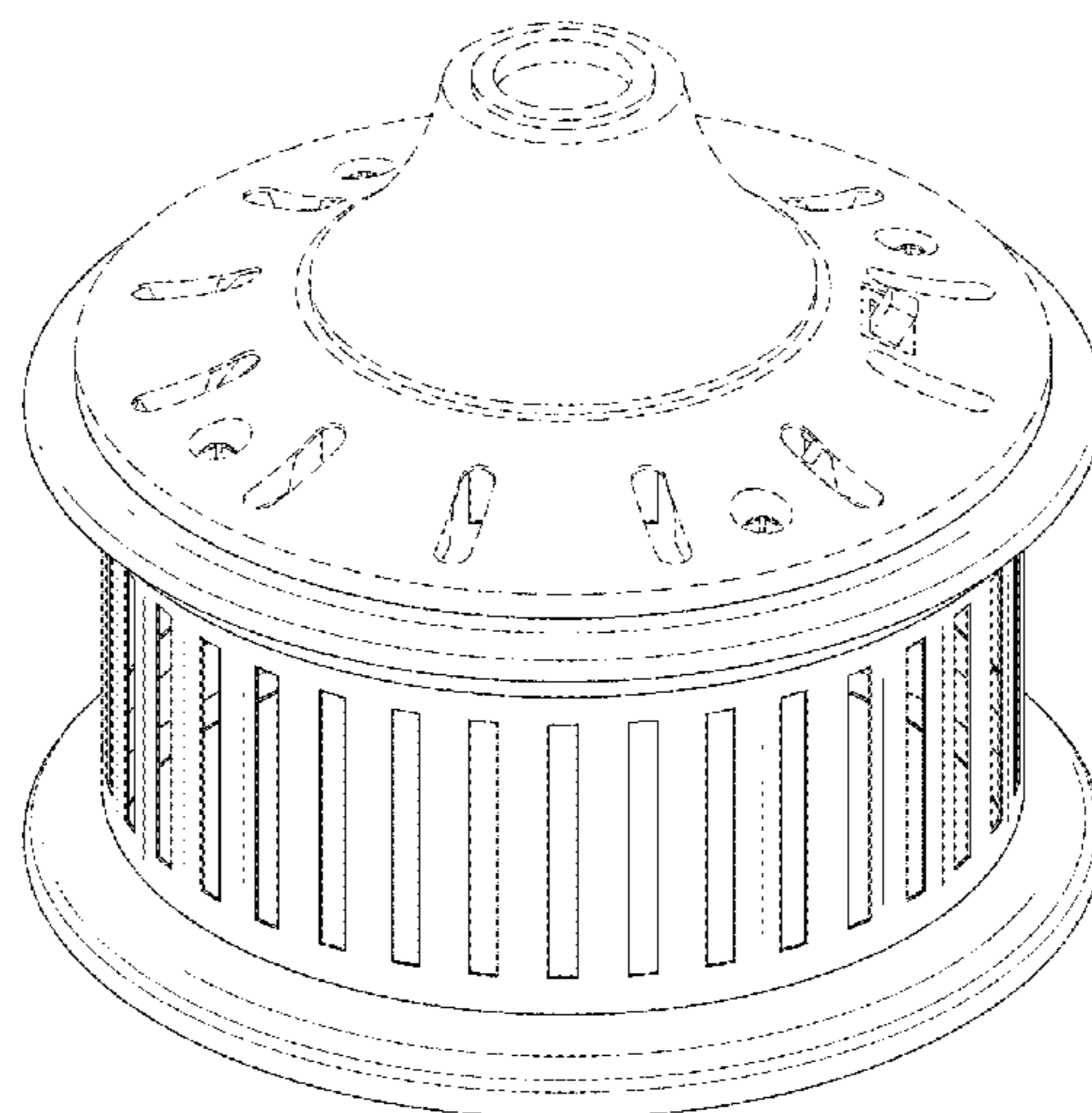
Primary Examiner — Susan Bennett Hattan
Assistant Examiner — Marie Fast Horse
 (74) *Attorney, Agent, or Firm* — Ming Chow; Sinorica, LLC

(57) **CLAIM**
 I claim the ornamental design for a ceiling fan motor housing, as shown and described.

DESCRIPTION

FIG. 1 is a front perspective view of a ceiling fan motor housing showing my new design;
 FIG. 2 is a front elevational view thereof;
 FIG. 3 is a rear elevational view thereof.
 FIG. 4 is a left side elevational view thereof;
 FIG. 5 is a right side elevational view thereof;
 FIG. 6 is a top plan view thereof; and,
 FIG. 7 is a bottom plan view thereof.
 The broken lines in the drawings depict environmental subject matter only and form no part of the claimed design.

1 Claim, 5 Drawing Sheets



(56)

References Cited

U.S. PATENT DOCUMENTS

5,975,848	A *	11/1999	Yu	416/5	D553,239	S *	10/2007	Wang	D23/411
6,022,189	A *	2/2000	Yu	416/5	D558,384	S *	12/2007	Bickler et al.	D26/88
6,036,331	A *	3/2000	Acquisto	362/96	D558,912	S *	1/2008	Crosby	D26/88
6,095,767	A *	8/2000	Caughey	417/411	D567,361	S *	4/2008	Curtin	D23/411
D441,442	S *	5/2001	Williams	D23/377	D594,542	S *	6/2009	Pan	D23/377
D459,525	S *	6/2002	Barry	D26/88	D596,737	S *	7/2009	Pan	D23/411
D490,510	S *	5/2004	Cohen	D23/379	D599,460	S *	9/2009	Yang	D23/377
D507,830	S *	7/2005	Pan	D23/411	D599,468	S *	9/2009	Yang	D23/411
D520,633	S *	5/2006	Tai	D23/411	D603,498	S *	11/2009	Pickett	D23/411
D541,930	S *	5/2007	Pickett	D23/411	D671,633	S *	11/2012	Glasbrenner	D23/411
D547,483	S *	7/2007	Pickett	D26/89	2004/0057831	A1 *	3/2004	Lin	416/210 R
D552,228	S *	10/2007	Ertze et al.	D23/411	2008/0089791	A1 *	4/2008	Cartwright et al.	416/244 R
					2009/0208333	A1 *	8/2009	Smith et al.	416/5
					2012/0177496	A1 *	7/2012	Gajewski	416/204 R

* cited by examiner

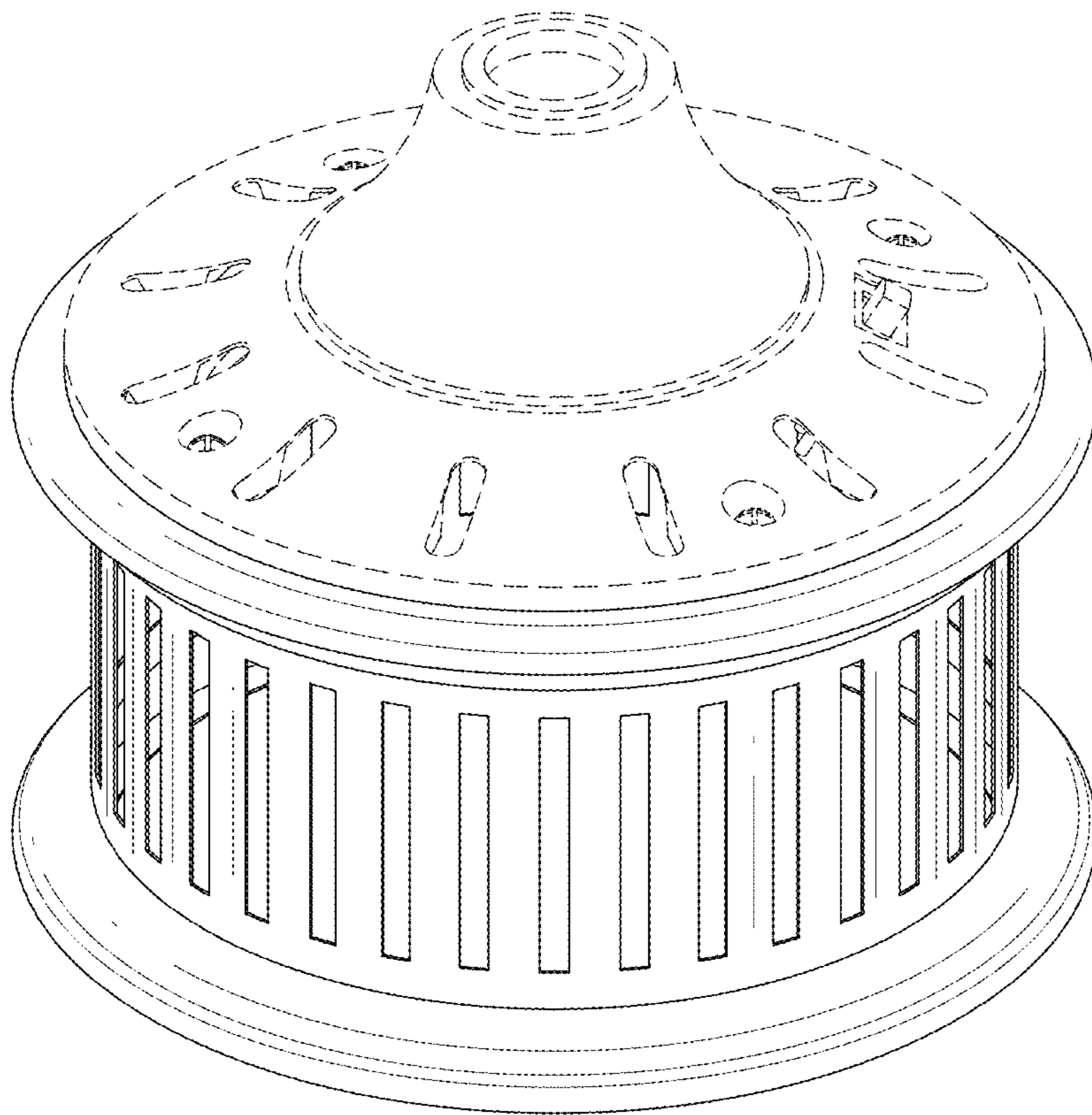


FIG. 1

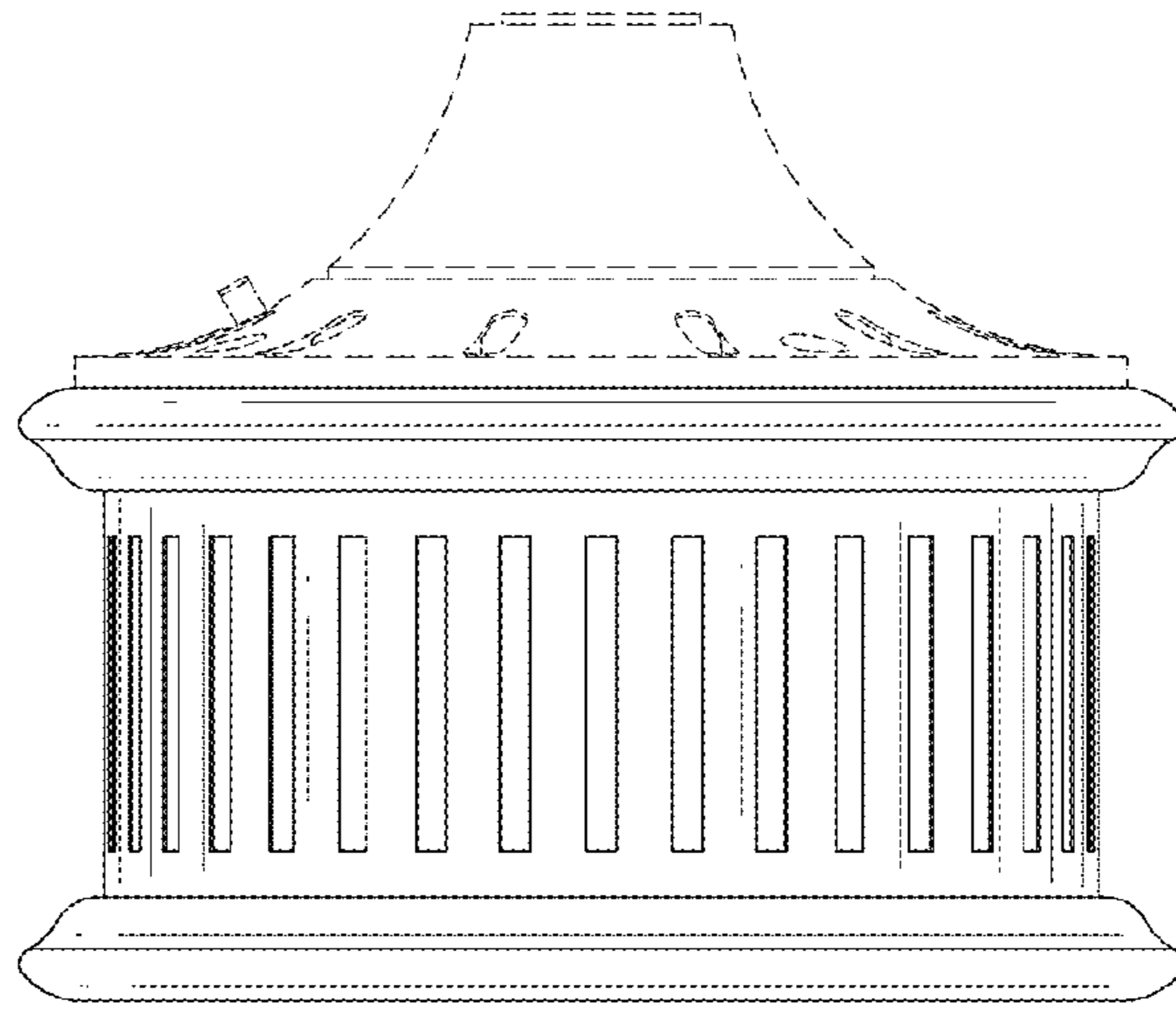


FIG. 2

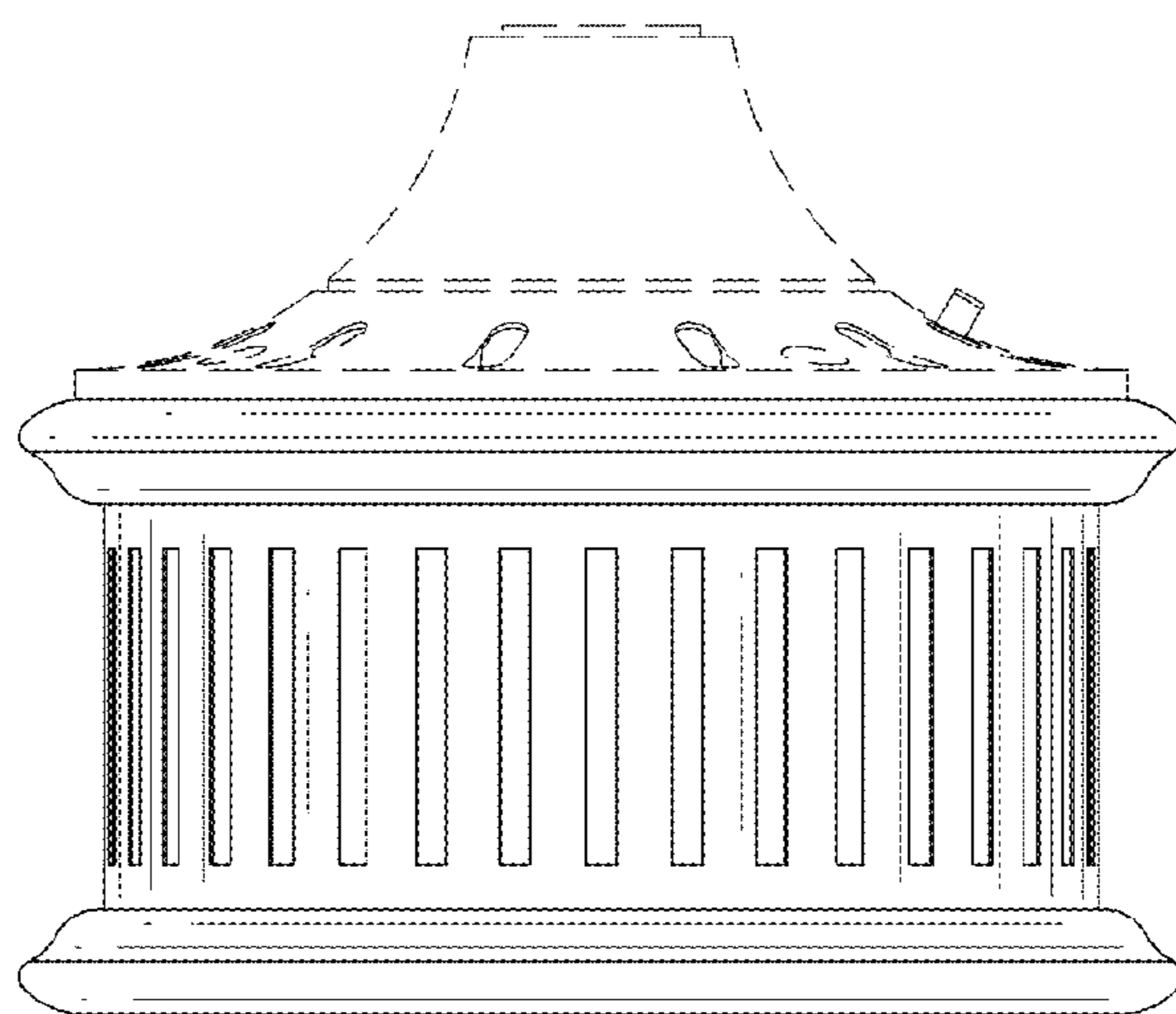


FIG. 3

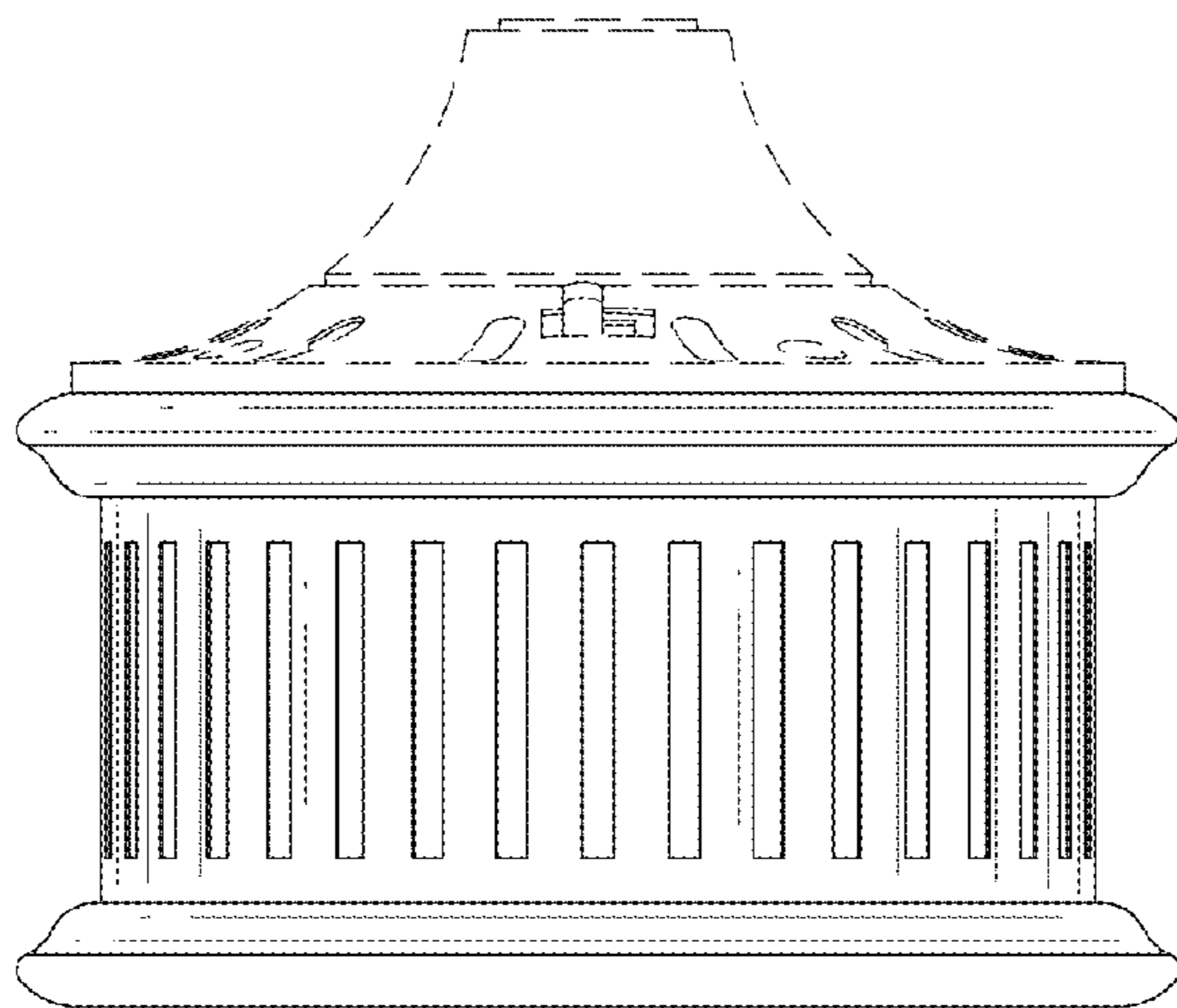


FIG. 4

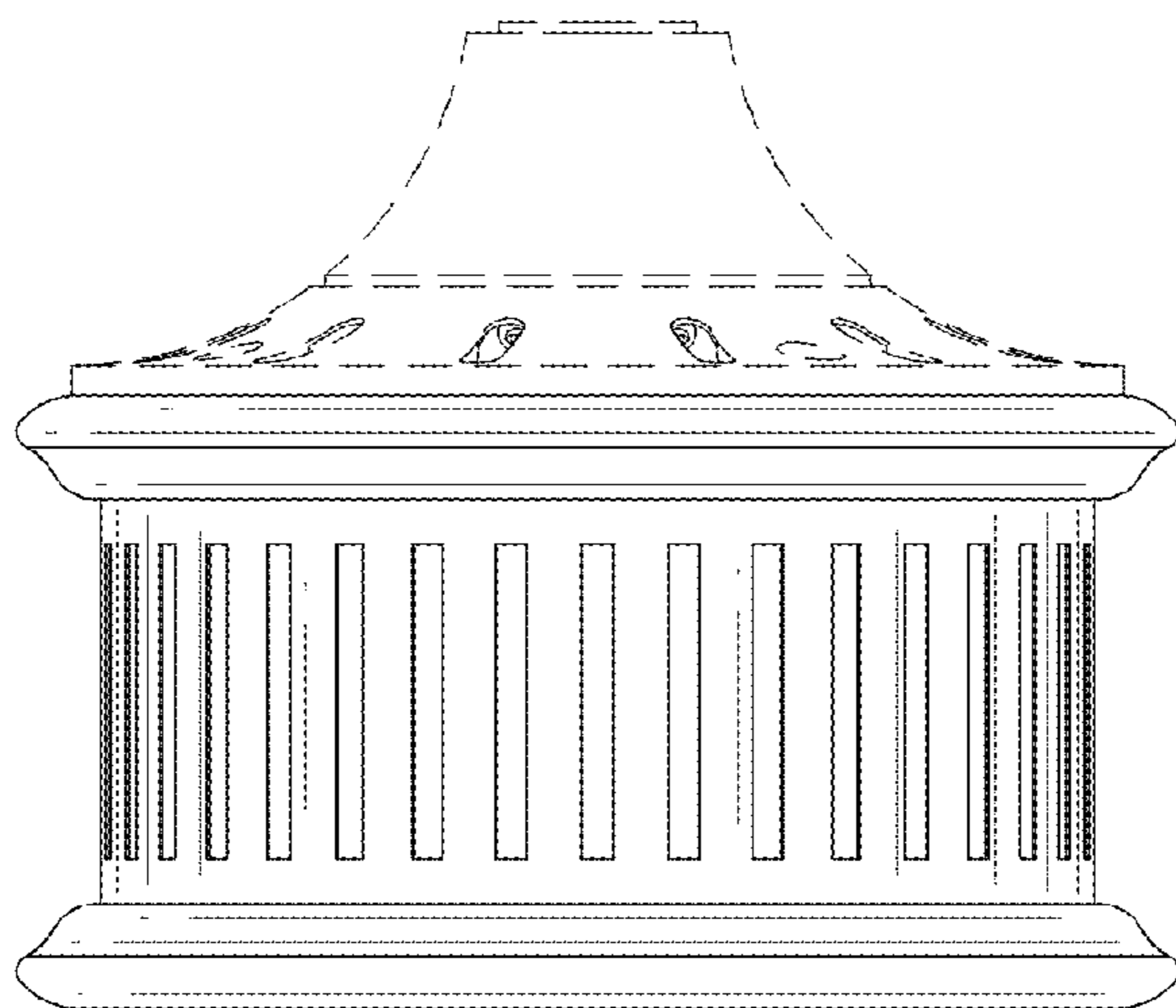


FIG. 5

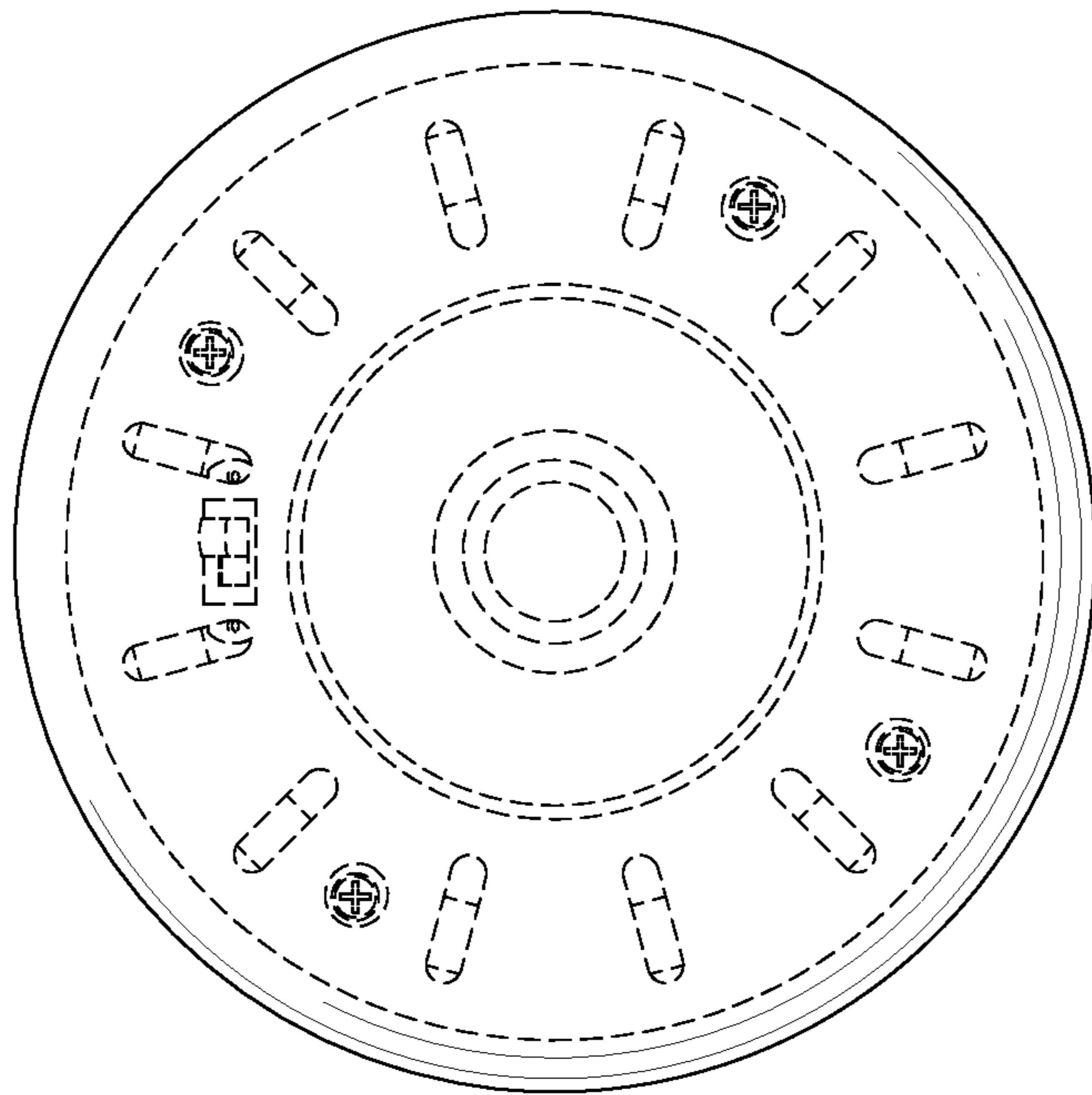


FIG. 6

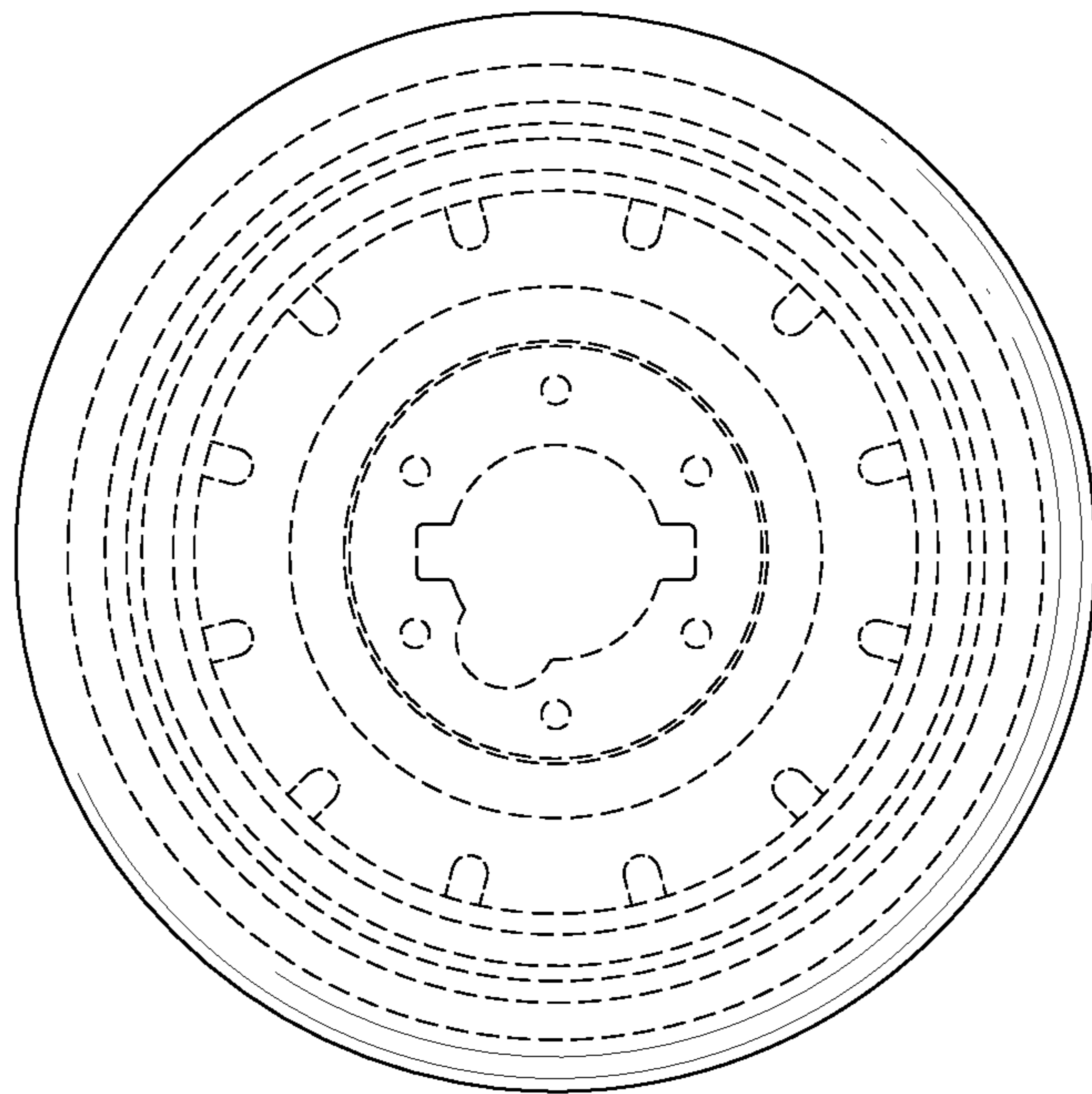


FIG. 7