



US00D709999S

(12) **United States Design Patent**
Poindexter et al.

(10) **Patent No.:** **US D709,999 S**
(45) **Date of Patent:** **** Jul. 29, 2014**

- (54) **SCENT PAD ASSEMBLY**
- (71) Applicant: **Kaz USA, Inc.**, Southborough, MA (US)
- (72) Inventors: **Michael Poindexter**, New York, NY (US); **Arthur Eisenkrein**, Gladbeck (DE); **Robert Alan Barker**, Berlin, MA (US)
- (73) Assignee: **Helen of Troy Limited**, St. Michael (BB)
- (**) Term: **14 Years**
- (21) Appl. No.: **29/457,747**
- (22) Filed: **Jun. 12, 2013**
- (51) **LOC (10) Cl.** **28-99**
- (52) **U.S. Cl.**
USPC **D23/366**
- (58) **Field of Classification Search**
USPC D23/355-369; D28/5, 6; 261/DIG. 17, 261/DIG. 42, DIG. 65, DIG. 88, DIG. 89; 392/386, 390, 394, 395; 239/34, 44, 239/53, 55, 56, 326; D26/14, 17, 98, 9, 22, D26/24; D11/131.1; D7/509, 522, 524, 537
See application file for complete search history.

5,556,192	A *	9/1996	Wang	362/276
5,945,094	A *	8/1999	Martin et al.	424/76.1
6,123,935	A *	9/2000	Wefler et al.	424/76.1
D520,130	S *	5/2006	Miro	D23/368
D536,082	S *	1/2007	Pugh	D23/366
7,188,780	B2 *	3/2007	Martens, III	239/35
D540,454	S *	4/2007	Ruiz Ballesteros et al.	D23/366
7,213,770	B2 *	5/2007	Martens et al.	239/57
D560,326	S *	1/2008	Bruno	D1/121
7,426,799	B2 *	9/2008	Christianson et al.	40/725
D607,984	S *	1/2010	Ko et al.	D23/366
D611,589	S *	3/2010	Ko et al.	D23/366
D612,039	S *	3/2010	Ko et al.	D23/366
D676,949	S *	2/2013	Dornau et al.	D23/366
D691,254	S *	10/2013	Sanders	D23/366

* cited by examiner

Primary Examiner — Sandra Snapp
(74) *Attorney, Agent, or Firm* — Stroock & Stroock & Lavan LLP

(57) **CLAIM**
The ornamental design for a scent pad assembly, as shown and described.

DESCRIPTION

FIG. 1 is a perspective view of a scent pad assembly, constructed in accordance with the present invention;
FIG. 2 is a top view thereof;
FIG. 3 is a right side view thereof;
FIG. 4 is a bottom view thereof;
FIG. 5 is a left side view thereof;
FIG. 6 is a front view thereof; and,
FIG. 7 is a rear view thereof.
The broken line showing of parts of the drawings is included for the purpose of illustrating use and environment and forms no part of the claimed design.

1 Claim, 3 Drawing Sheets

- (56) **References Cited**
U.S. PATENT DOCUMENTS
3,513,994 A * 5/1970 De Bower et al. 414/310
D242,844 S * 12/1976 Seiferth et al. D9/732
D291,242 S * 8/1987 Harden et al. D23/386
4,849,606 A * 7/1989 Martens et al. 392/390
4,944,898 A * 7/1990 Glaser 261/84
D314,023 S * 1/1991 McCharen D21/643
5,439,100 A * 8/1995 Gordon et al. 206/5

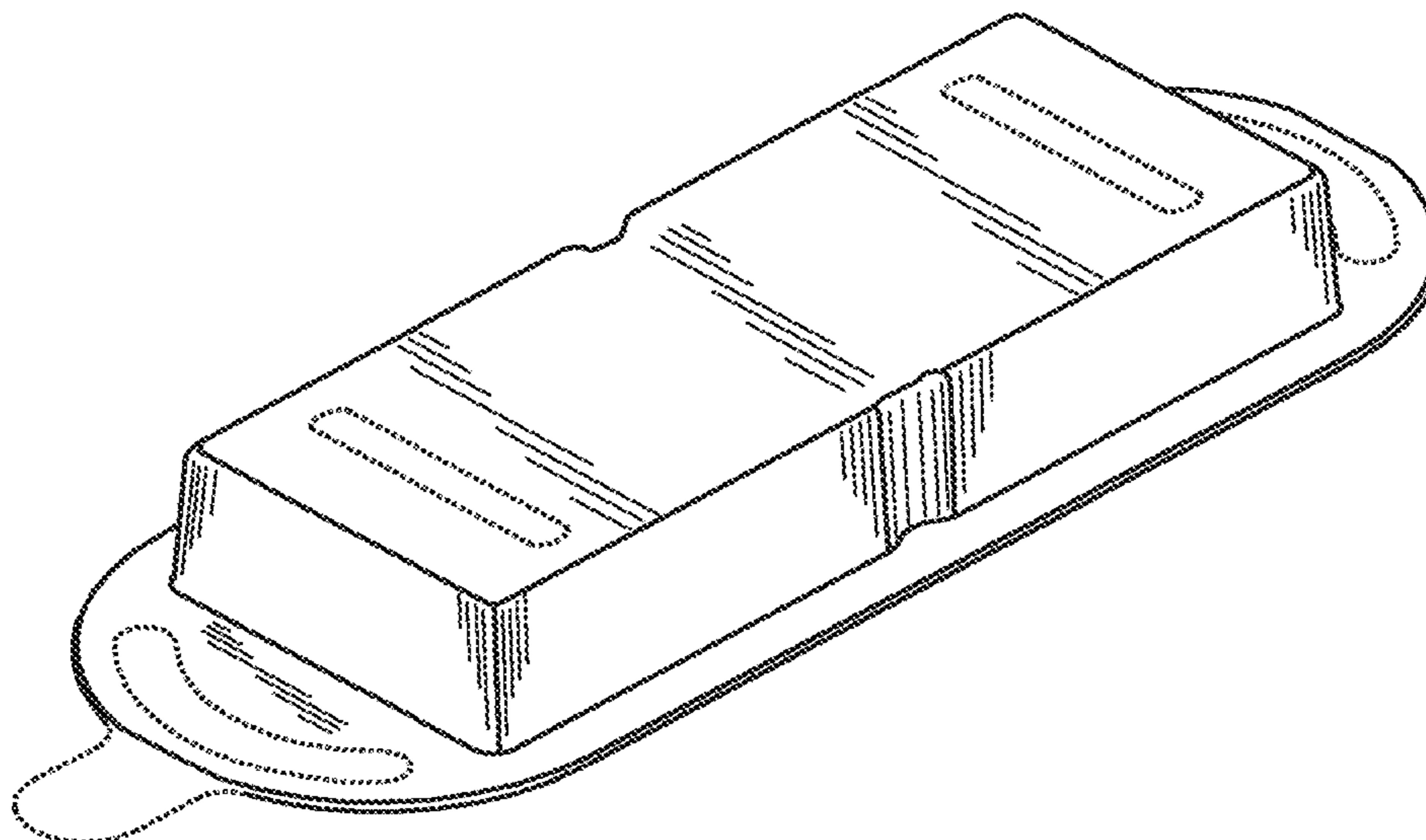


Figure 1

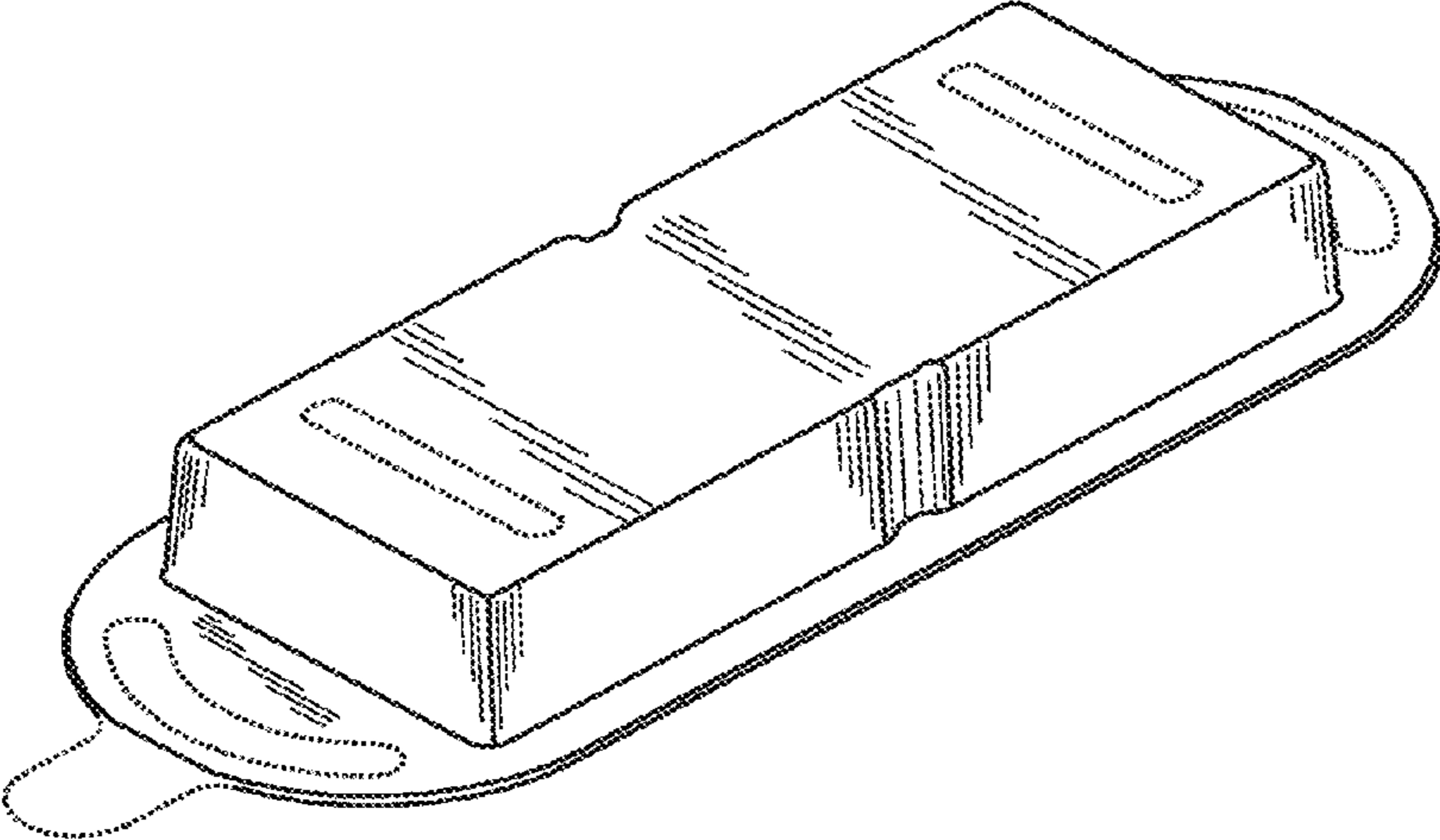


Figure 2

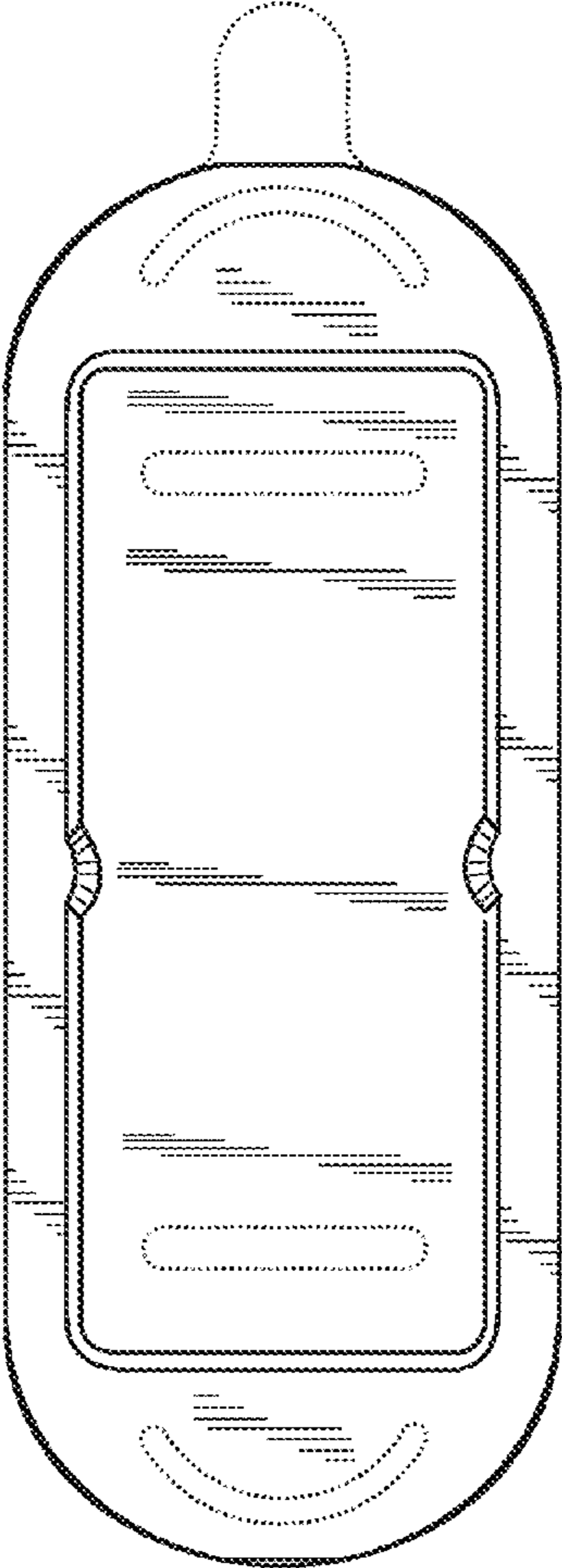


Figure 3

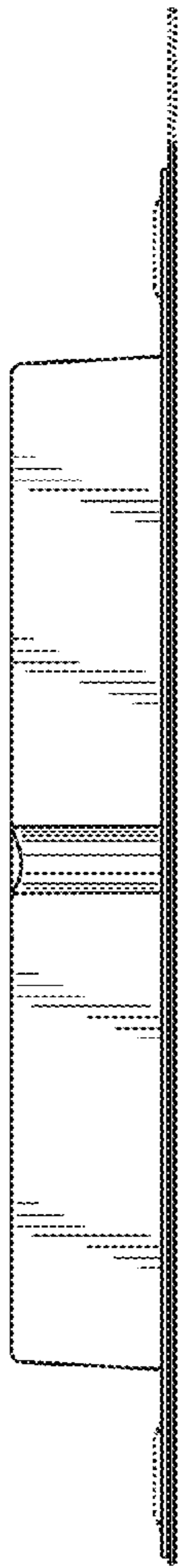


Figure 4

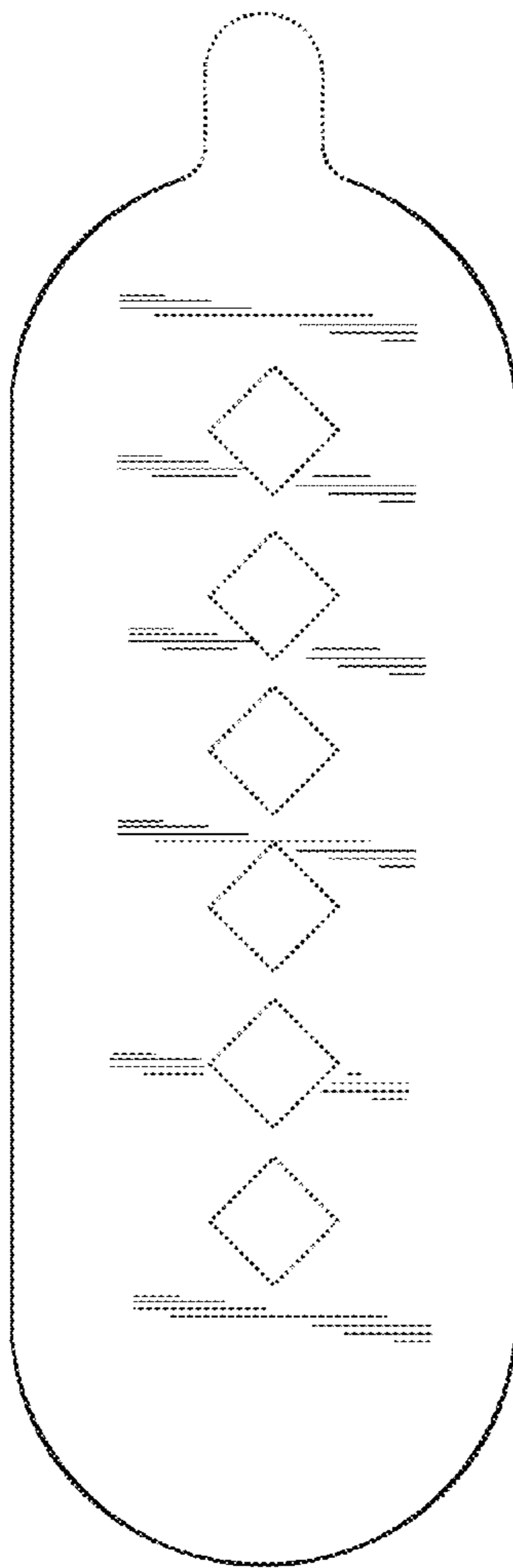


Figure 5

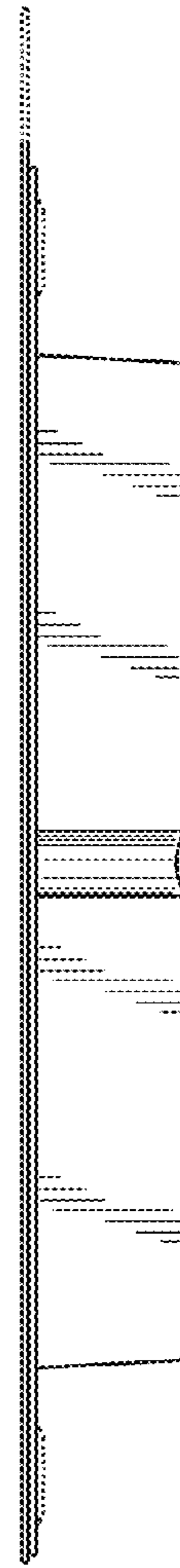


Figure 6

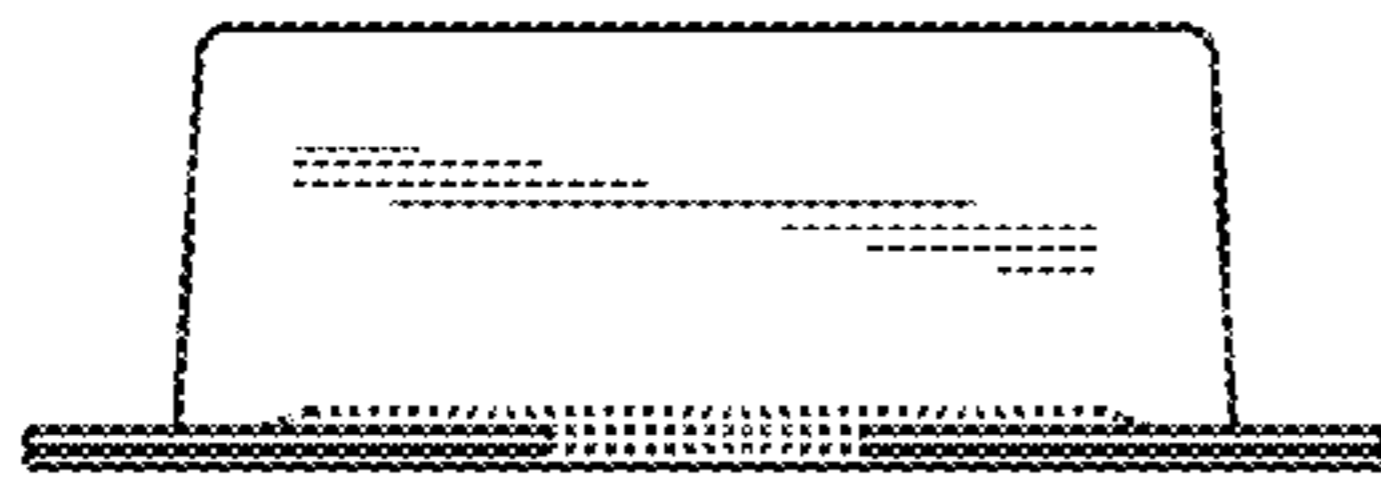


Figure 7

