

US00D709996S

(12) **United States Design Patent**  
**Yu**

(10) **Patent No.:** **US D709,996 S**  
(45) **Date of Patent:** **\*\* Jul. 29, 2014**

- (54) **PIPE CONNECTOR STRUCTURE**
- (71) Applicant: **Vincent Yu**, Changhua County (TW)
- (72) Inventor: **Vincent Yu**, Changhua County (TW)
- (73) Assignee: **BitsPower International Co., Ltd.**,  
Changhua County (TW)
- (\*\*) Term: **14 Years**
- (21) Appl. No.: **29/434,904**
- (22) Filed: **Oct. 18, 2012**
- (51) **LOC (10) Cl.** ..... **23-01**
- (52) **U.S. Cl.**  
USPC ..... **D23/262**
- (58) **Field of Classification Search**  
USPC ..... D23/259–269, 386, 393; 285/12, 63,  
285/88, 405; 4/252.4; D9/435–437  
See application file for complete search history.

- D387,146 S \* 12/1997 Morrison ..... D23/262
- D482,761 S \* 11/2003 Gotoh et al. .... D23/262
- 7,434,846 B2 \* 10/2008 Baumgartner ..... 285/319
- D583,026 S \* 12/2008 Dirneder ..... D23/262
- 7,497,484 B2 \* 3/2009 Ziman ..... 285/402
- D645,547 S \* 9/2011 Lombardi et al. .... D23/262
- D649,228 S \* 11/2011 Drenth ..... D23/259
- D674,058 S \* 1/2013 Yu ..... D23/262

\* cited by examiner

*Primary Examiner* — Eric Goodman

*Assistant Examiner* — John Reickel

(57) **CLAIM**

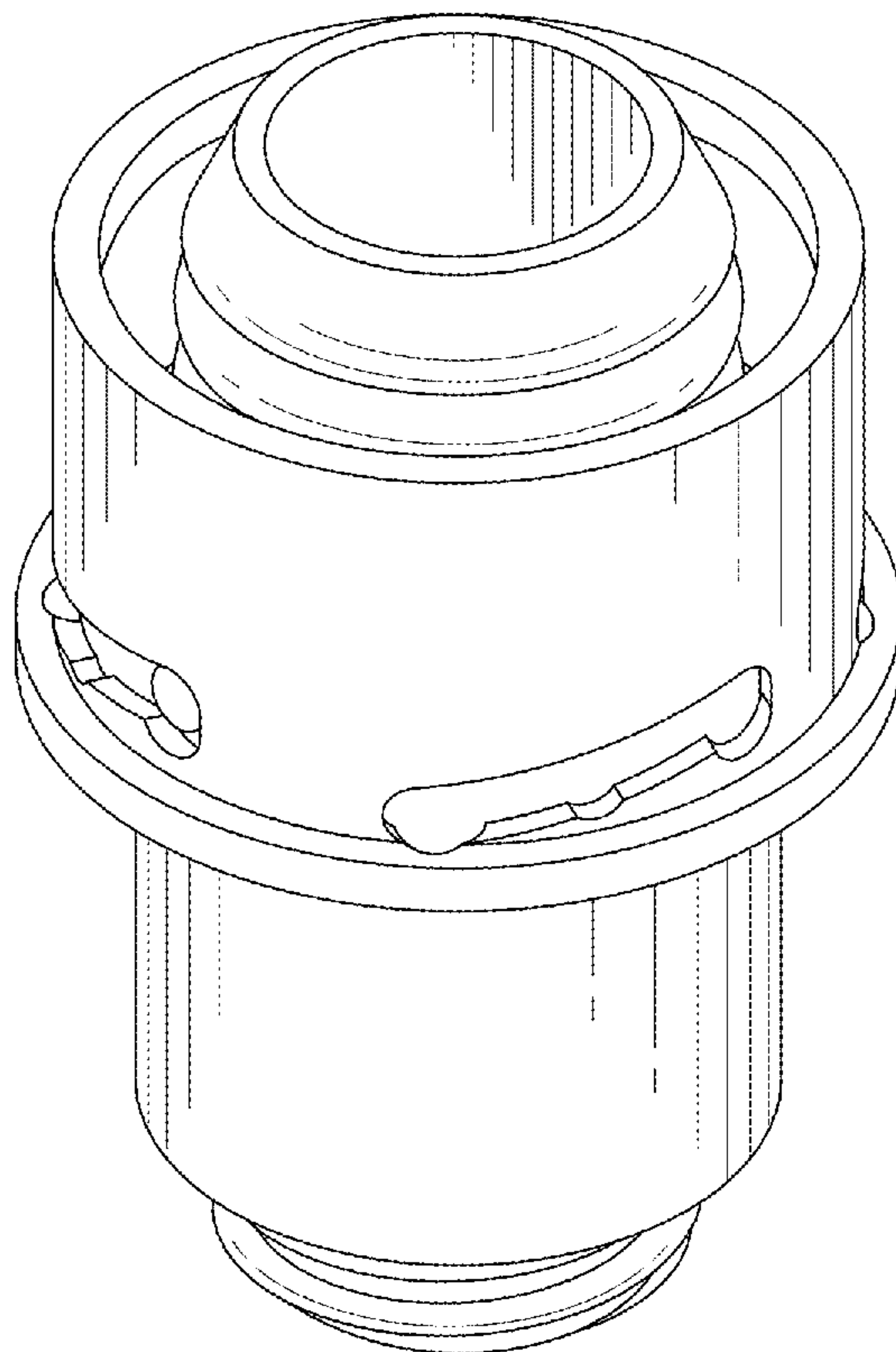
The ornamental design for a pipe connector structure, as shown and described.

**DESCRIPTION**

FIG. 1 is a perspective view of a pipe connector structure showing my new design;  
 FIG. 2 is a front elevational view thereof;  
 FIG. 3 is a rear elevational view thereof;  
 FIG. 4 is a left side view thereof;  
 FIG. 5 is a right side view thereof;  
 FIG. 6 is a top plan view thereof;  
 FIG. 7 is a bottom plan view thereof;  
 FIG. 8 is another perspective view thereof; and,  
 FIG. 9 is an exploded perspective view thereof.

**1 Claim, 8 Drawing Sheets**

- (56) **References Cited**  
U.S. PATENT DOCUMENTS  
D33,260 S \* 9/1900 Kelly ..... D23/263  
1,029,819 A \* 6/1912 Nylander ..... 285/88  
3,162,470 A \* 12/1964 Owens et al. .... 285/86  
D213,957 S \* 4/1969 Myerly ..... D23/262  
4,844,512 A \* 7/1989 Gahwiler ..... 285/39



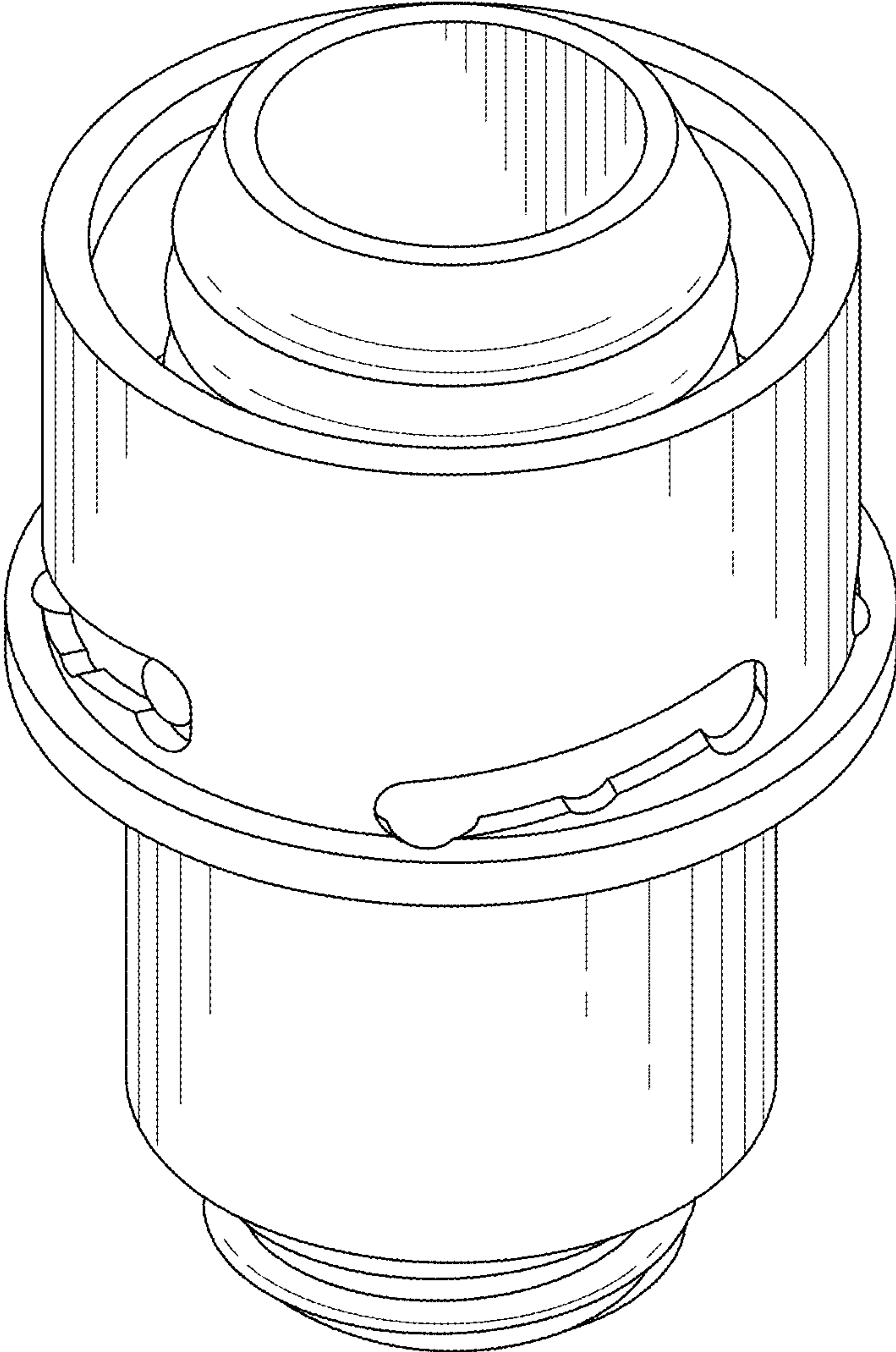


FIG. 1

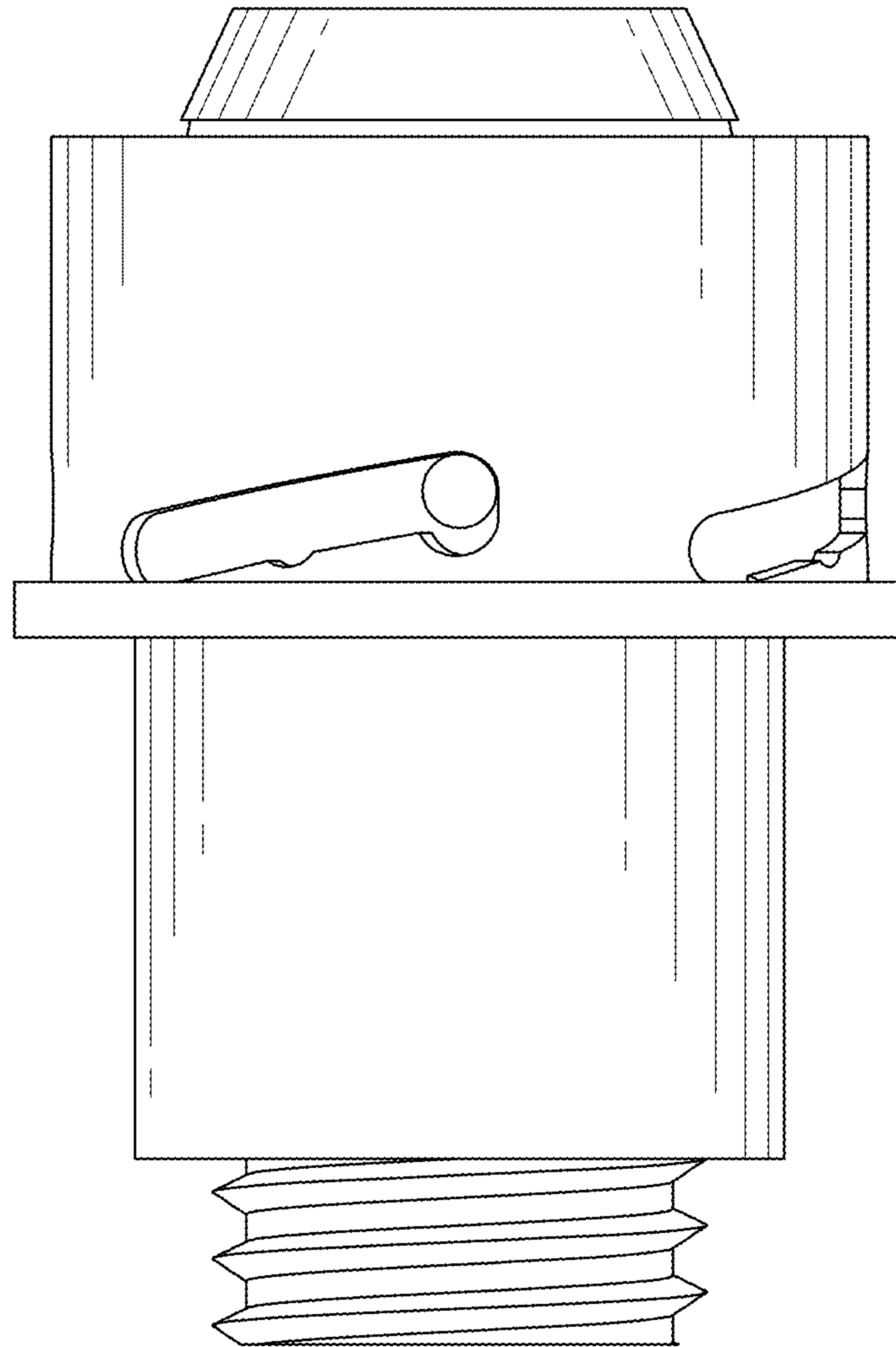


FIG. 2

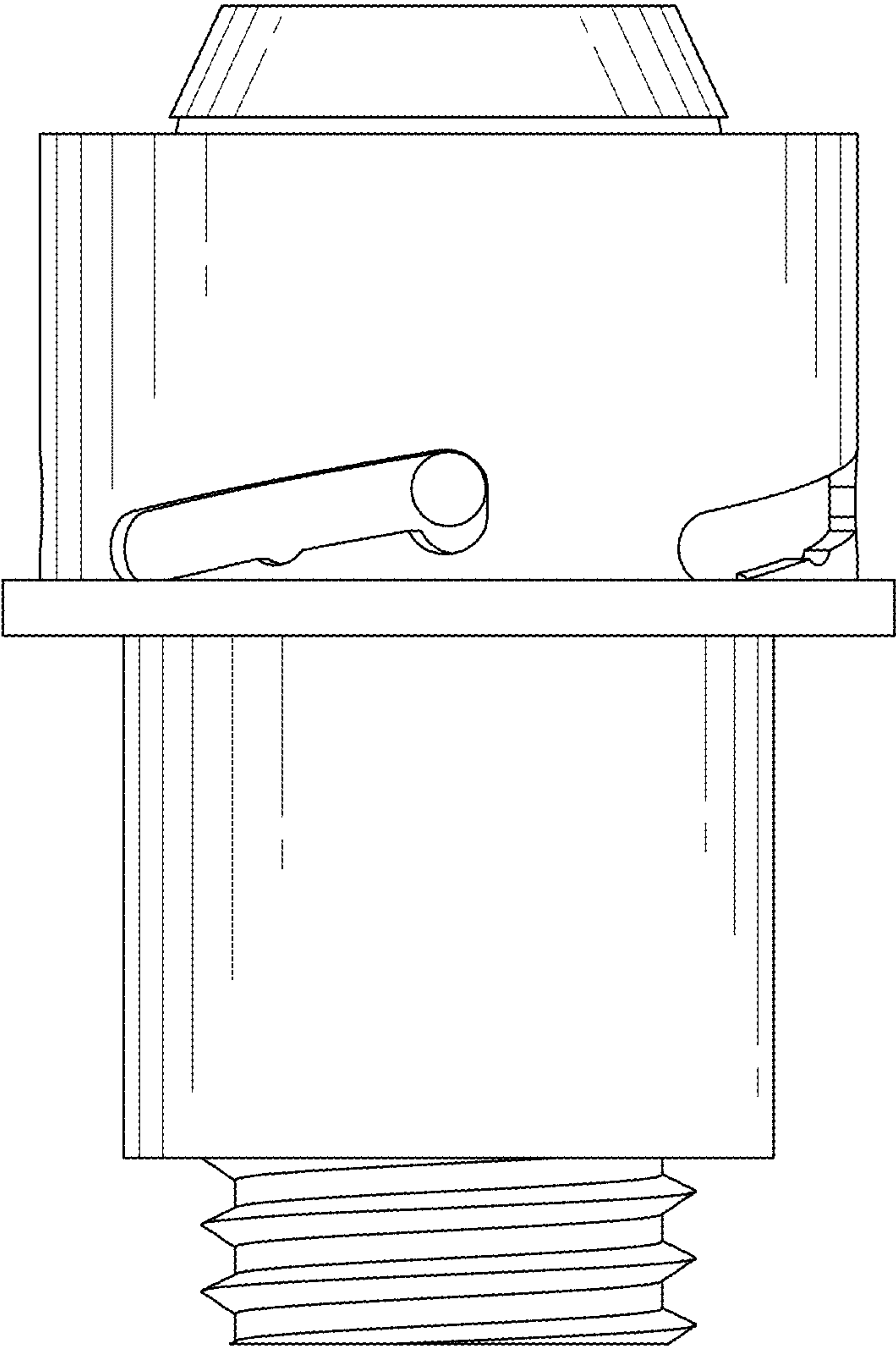


FIG. 3

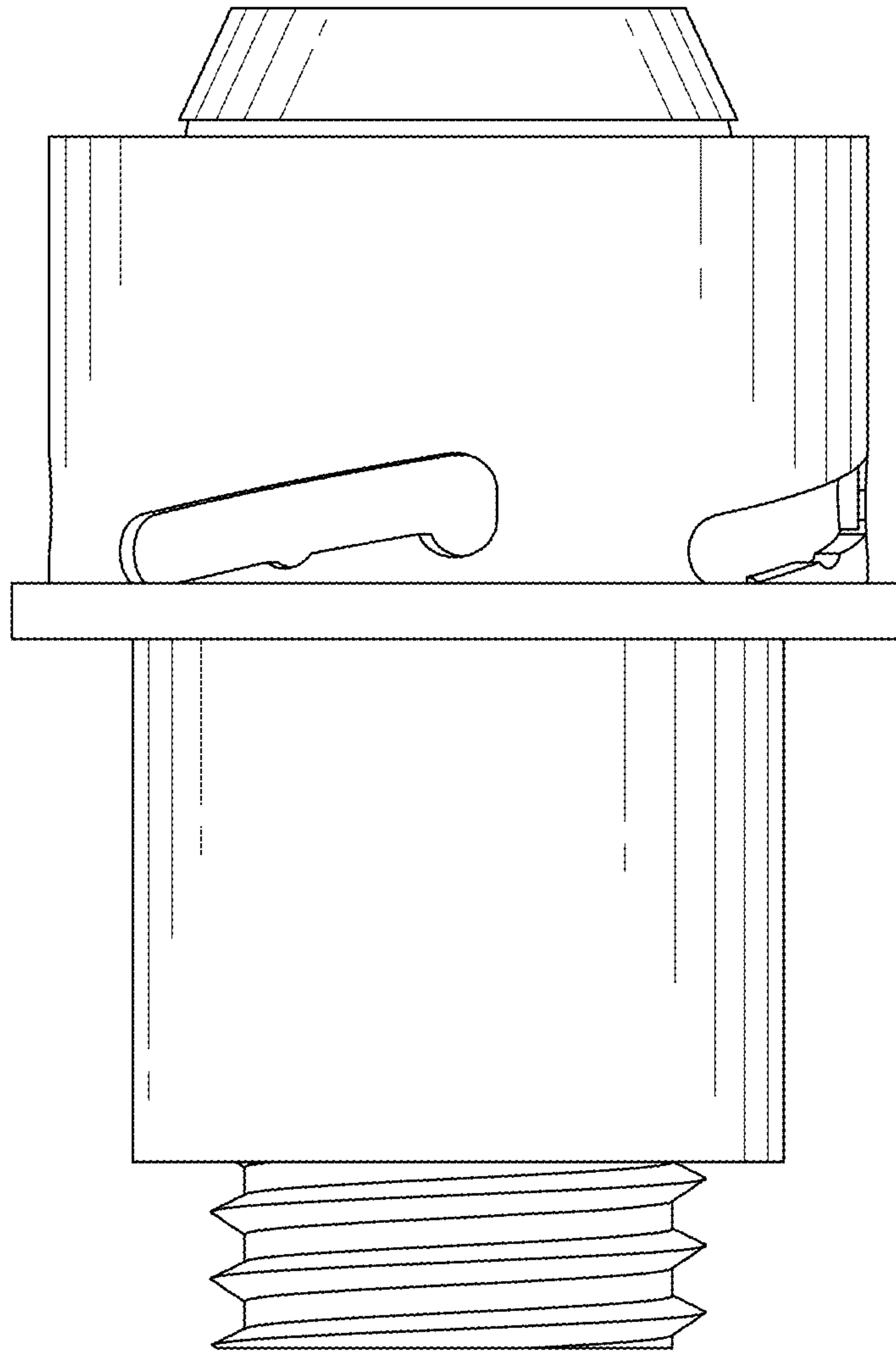


FIG. 4

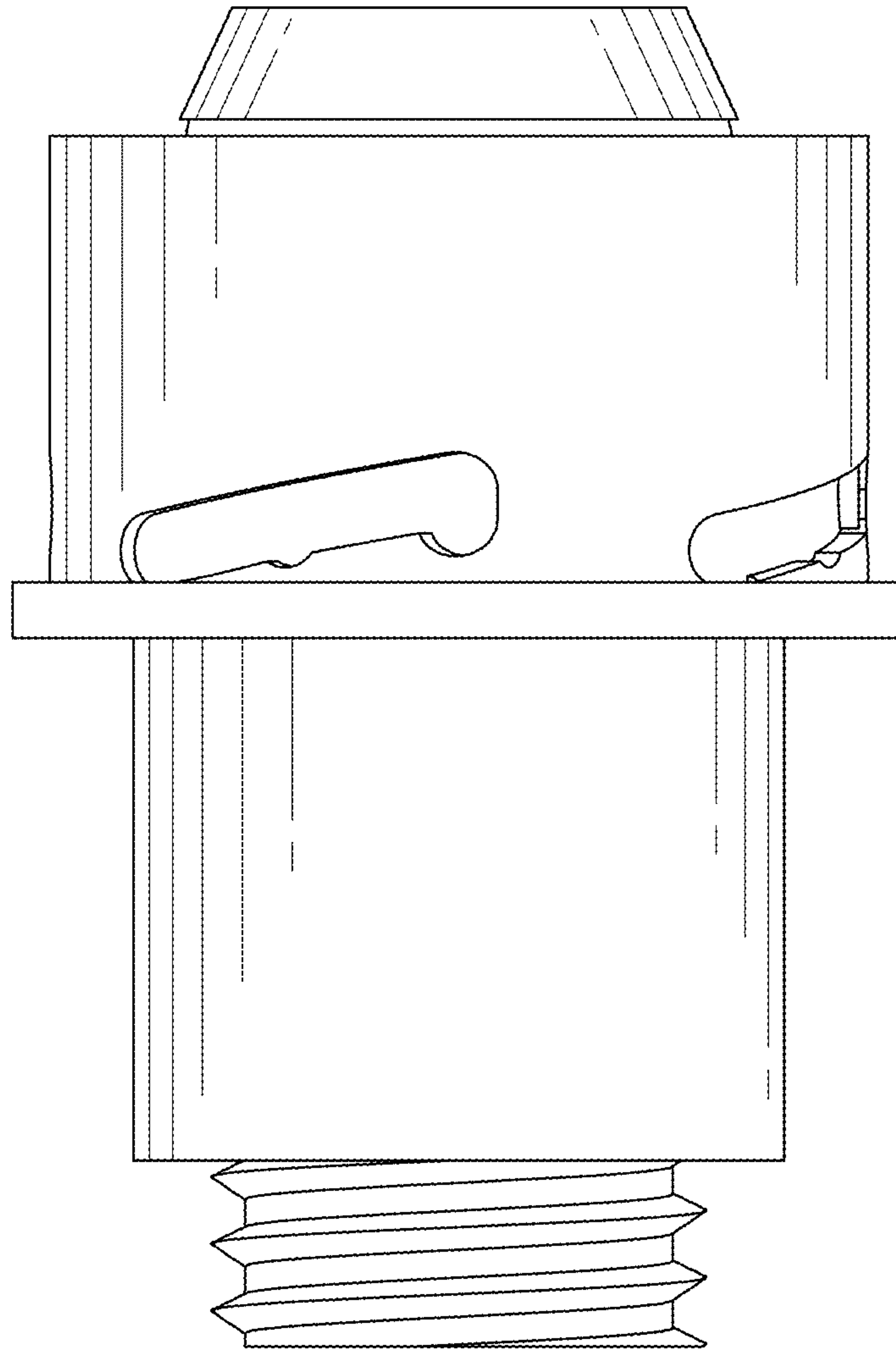


FIG. 5



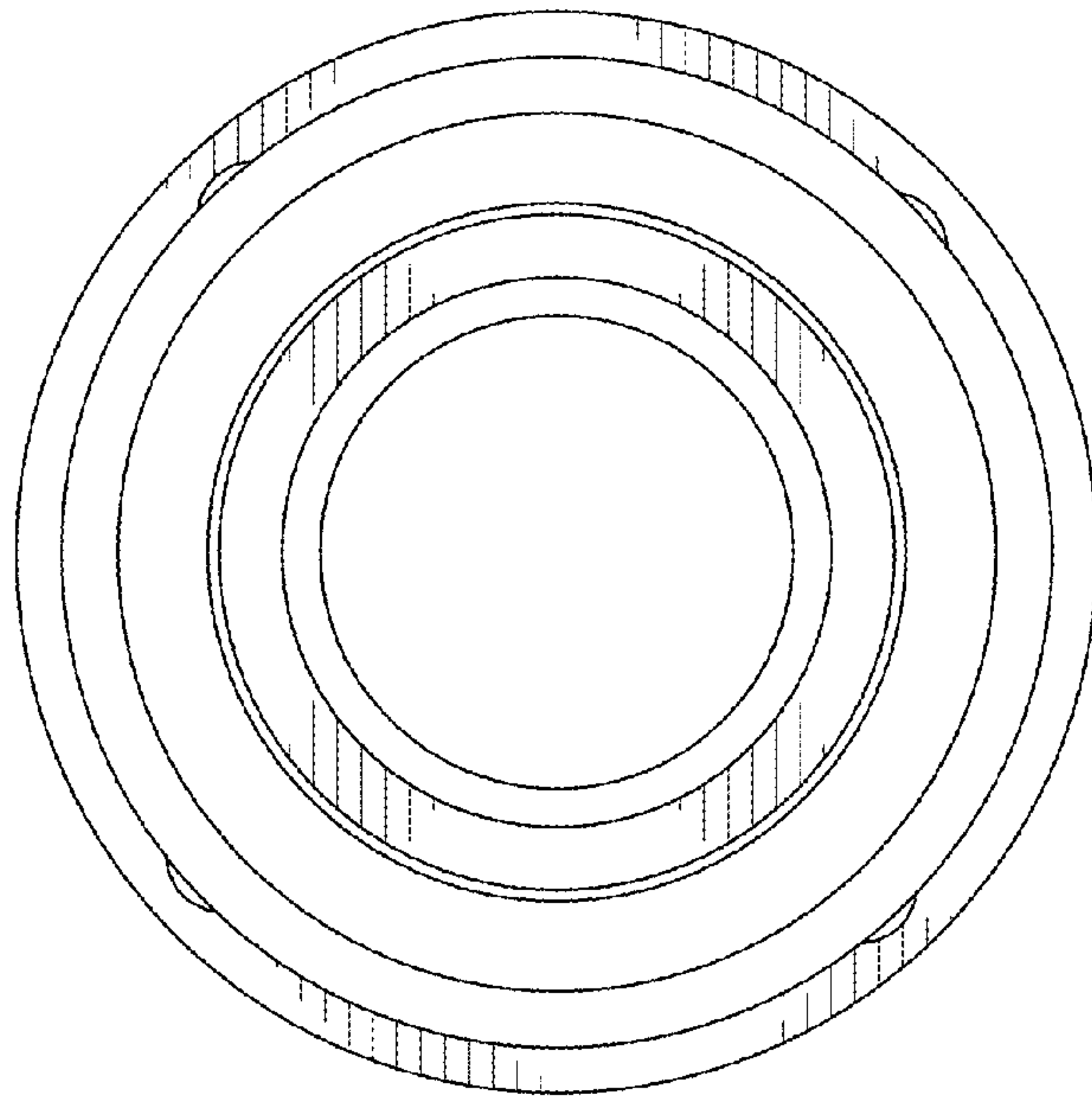


FIG. 6

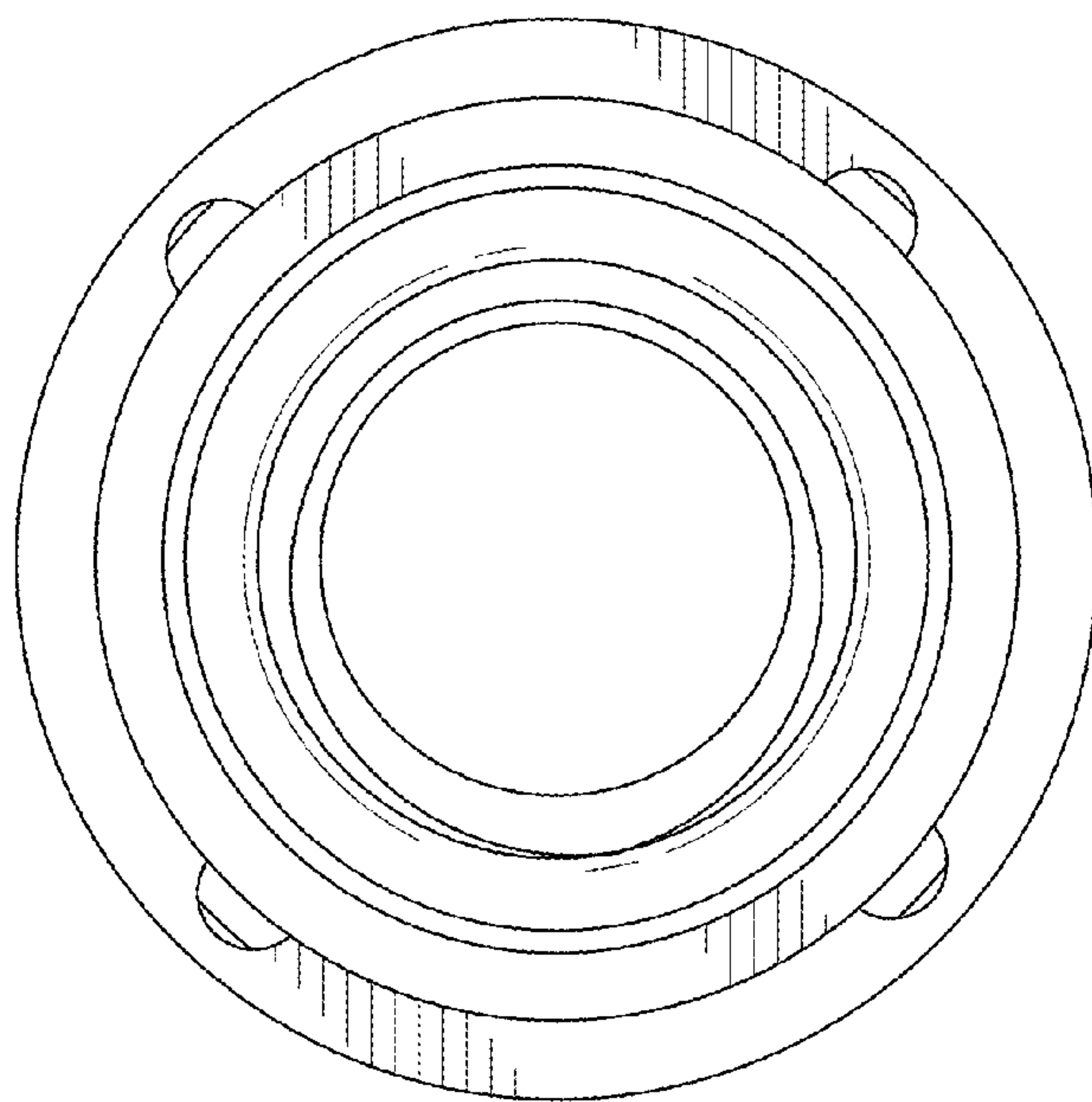


FIG. 7

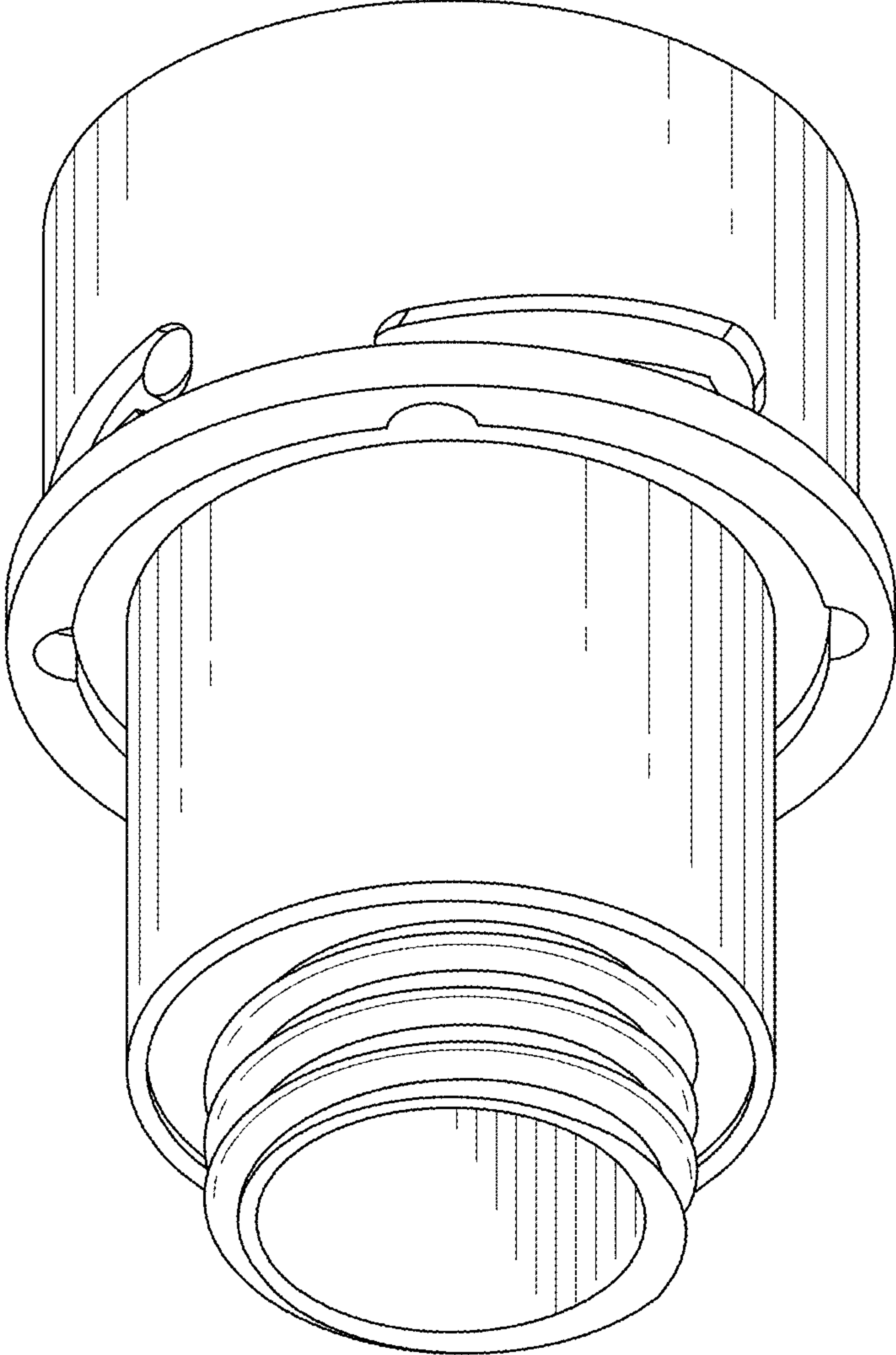


FIG. 8



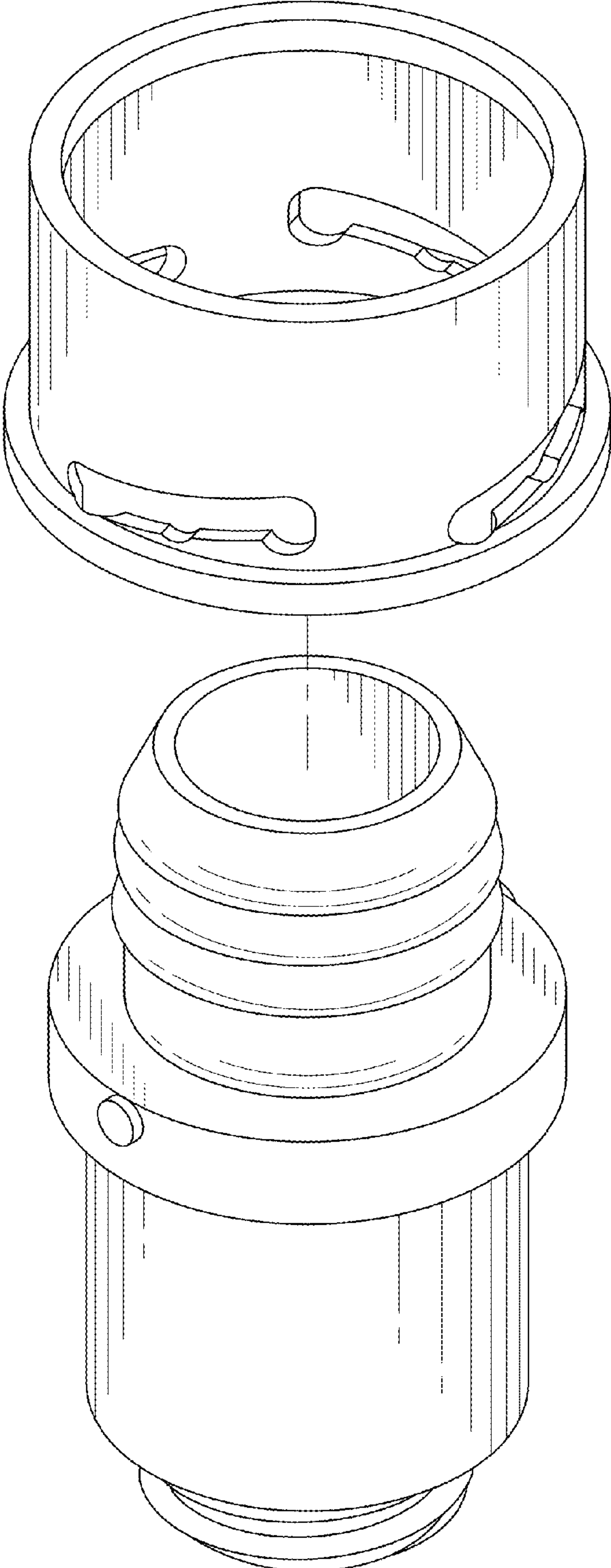


FIG. 9