



US00D709995S

(12) **United States Design Patent**
Crabbe et al.

(10) **Patent No.:** **US D709,995 S**

(45) **Date of Patent:** **** Jul. 29, 2014**

- (54) **WAND ADAPTER FLANGE**
- (76) Inventors: **Dean Crabbe**, Caistor Centre (CA);
Dave Honchar, Hagersville (CA)
- (**) Term: **14 Years**
- (21) Appl. No.: **29/416,763**
- (22) Filed: **Mar. 27, 2012**
- (51) **LOC (10) Cl.** **23-01**
- (52) **U.S. Cl.**
USPC **D23/262**
- (58) **Field of Classification Search**
CPC F16L 23/032; F16L 23/003; F16L 23/18;
E21B 33/03
USPC D23/245, 249, 254, 259–262; D8/382;
D13/155; D24/129; 285/86–93
See application file for complete search history.

D453,815 S *	2/2002	Hoenig	D23/259
6,588,315 B2 *	7/2003	Jenne	92/164
D480,454 S *	10/2003	Filer	D23/262
D517,665 S *	3/2006	Wilk et al.	D23/262
D524,427 S *	7/2006	Wilk et al.	D23/262
D602,128 S *	10/2009	Williams et al.	D23/262
D622,136 S *	8/2010	Bruce, III	D8/382
D639,398 S *	6/2011	Wilhelm	D23/262
D642,548 S *	8/2011	Bowen, III	D13/183
D654,166 S *	2/2012	Lair	D24/129
D676,943 S *	2/2013	Kluss et al.	D23/262

* cited by examiner

Primary Examiner — Eric Goodman

Assistant Examiner — John Reickel

(57) **CLAIM**

The ornamental design for a wand adapter flange, as shown and described.

DESCRIPTION

FIG. 1 is a top plan view of a wand adapter flange of our design

FIG. 2 is a left side elevational view of the wand adapter flange shown in FIG. 1.

FIG. 3 is a bottom plan view of the wand adapter flange shown in FIG. 1.

FIG. 4 is a top left side perspective view of the wand adapter flange shown in FIG. 1; and,

FIG. 5 is a bottom right side perspective view of the wand adapter flange shown in FIG. 1.

The broken line showing is included for the purpose of illustrating portions of the article and forms no part of the claimed design.

(56) **References Cited**

U.S. PATENT DOCUMENTS

D34,101 S *	2/1901	Griffiths	D23/262
2,169,896 A *	8/1939	Gazey	29/890.132
D213,957 S *	4/1969	Myerly	D23/262
3,548,864 A *	12/1970	Perry et al.	137/364
D258,526 S *	3/1981	Nederman	D23/262
D296,325 S *	6/1988	Hugin	D13/133
4,827,539 A *	5/1989	Kiziah	4/252.4
D311,573 S *	10/1990	Lewis	D23/262
D368,304 S *	3/1996	Morrison	D23/262
D385,956 S *	11/1997	Doughty et al.	D23/259
D402,354 S *	12/1998	Strong et al.	D23/259
D429,627 S *	8/2000	Gradwell	D8/382
D430,273 S *	8/2000	Meisch	D23/262
D450,814 S *	11/2001	Aldred et al.	D23/259
D452,299 S *	12/2001	Aldred et al.	D23/259

1 Claim, 2 Drawing Sheets

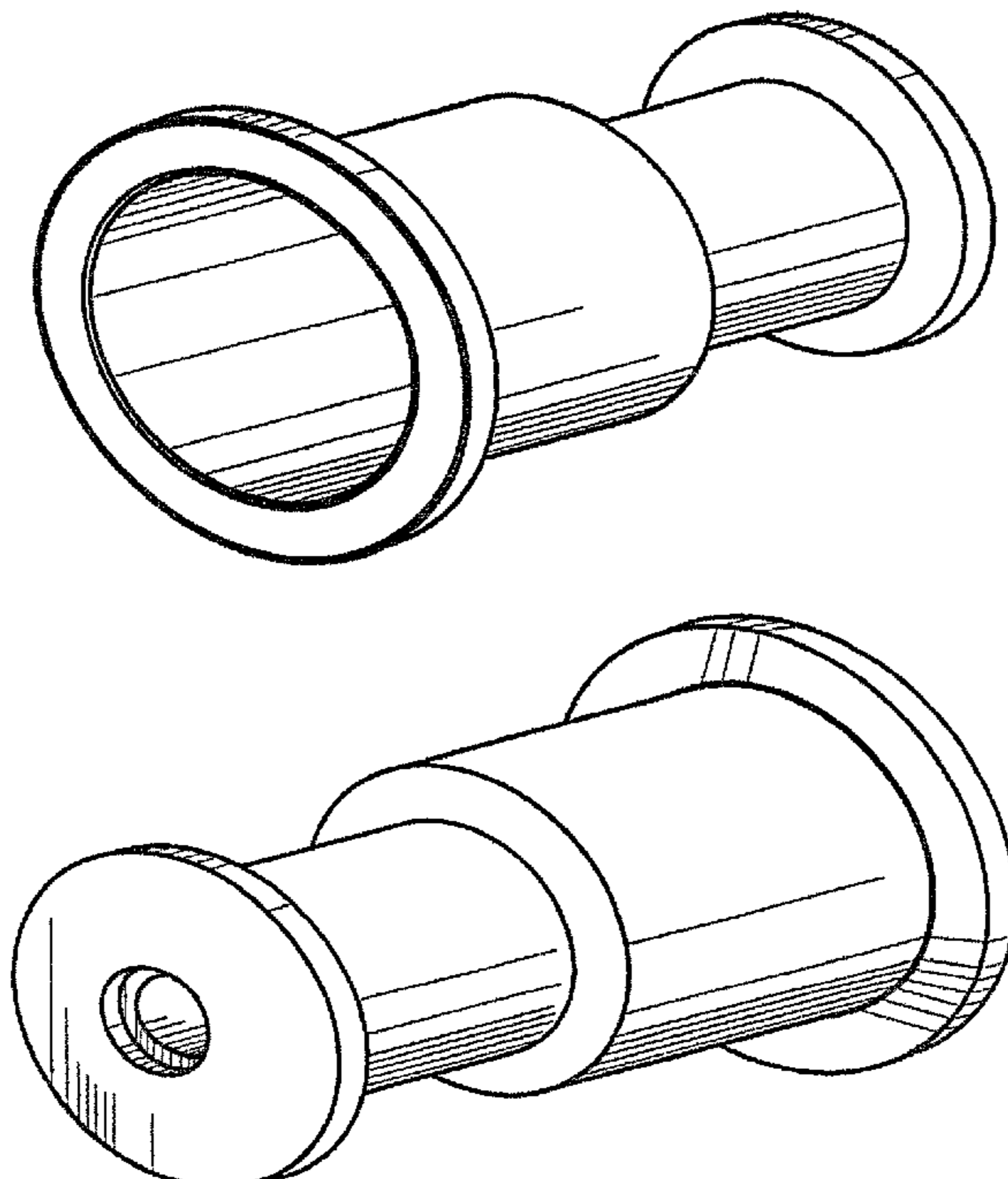


Fig. 1

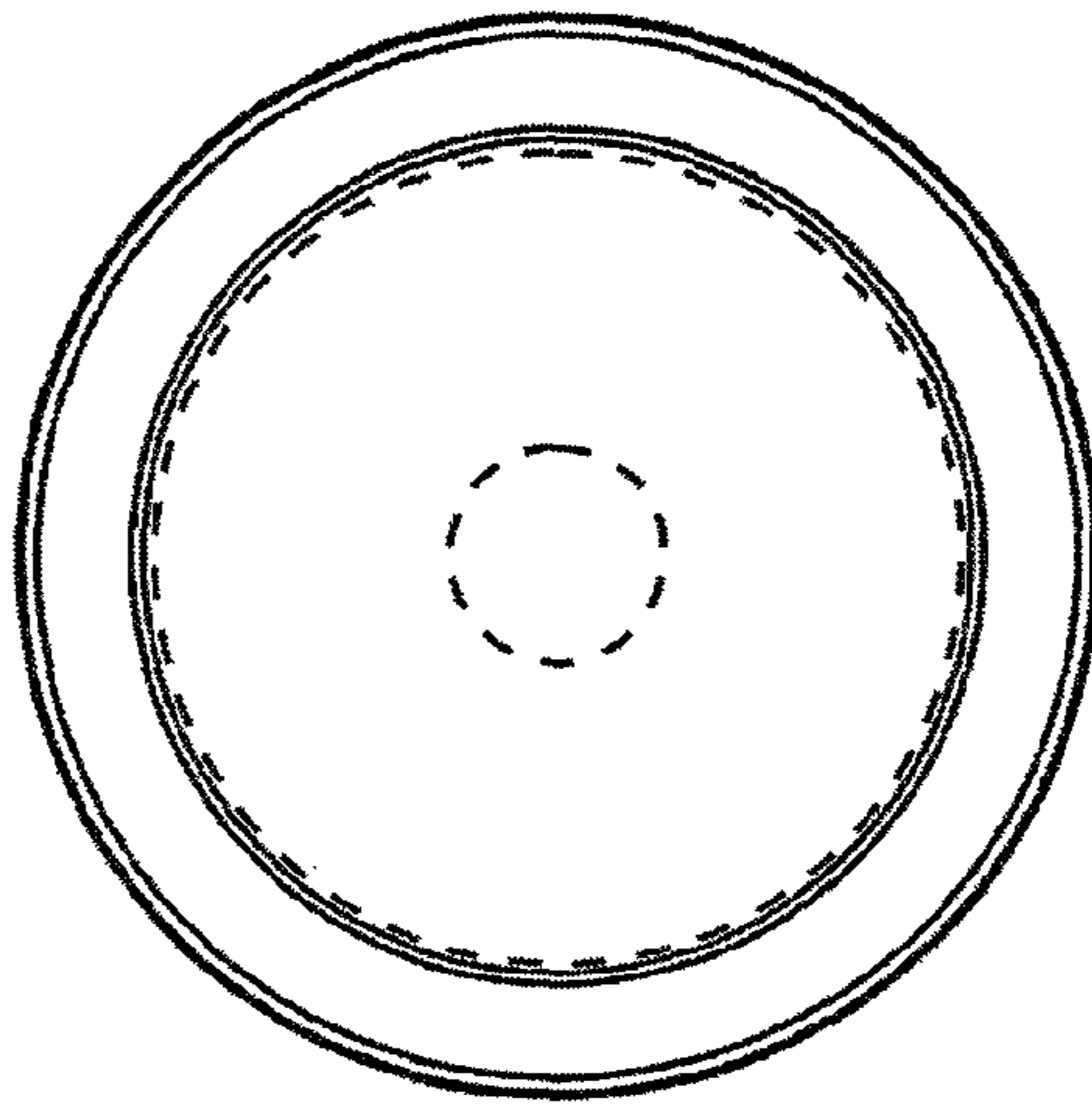


Fig. 2

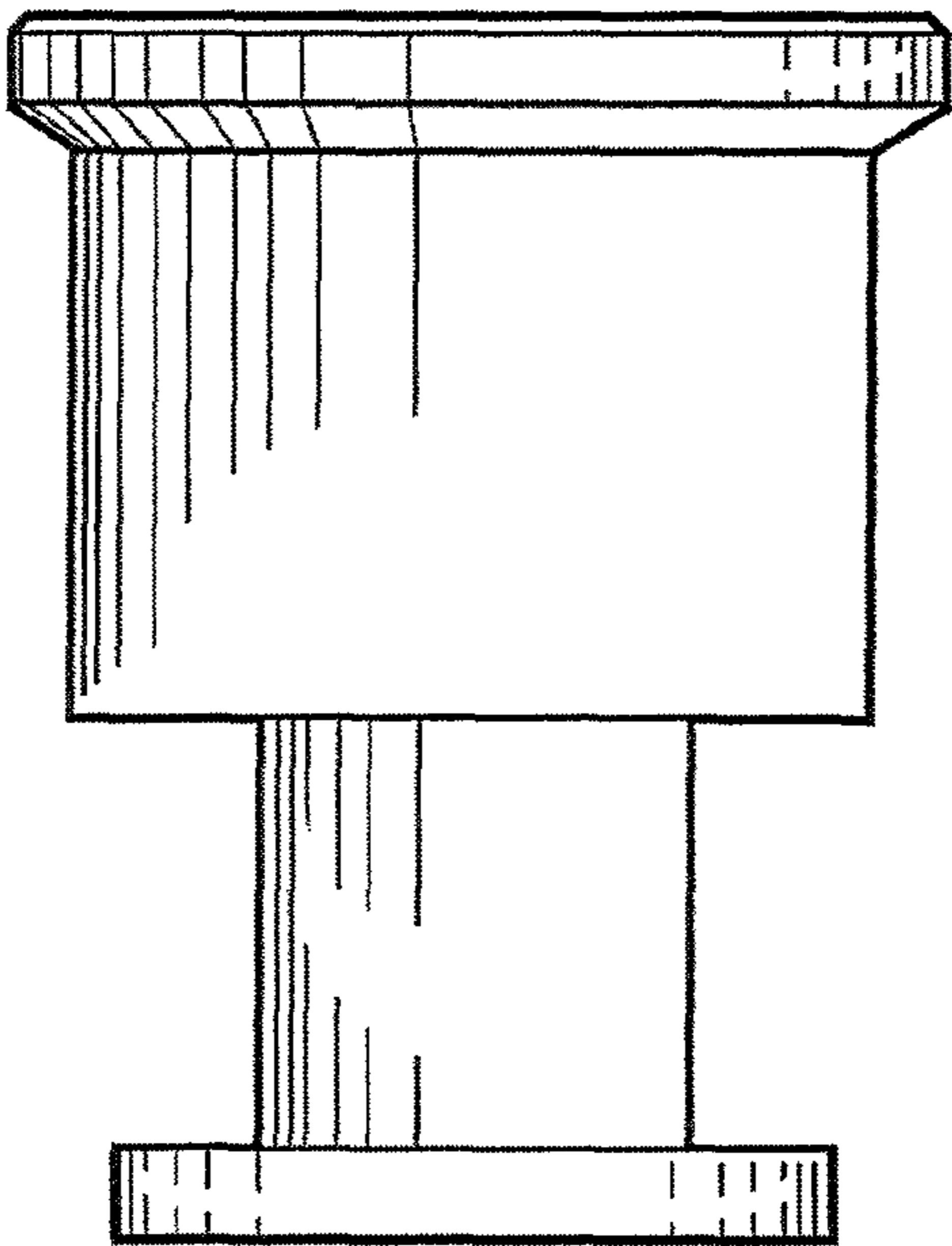


Fig. 3

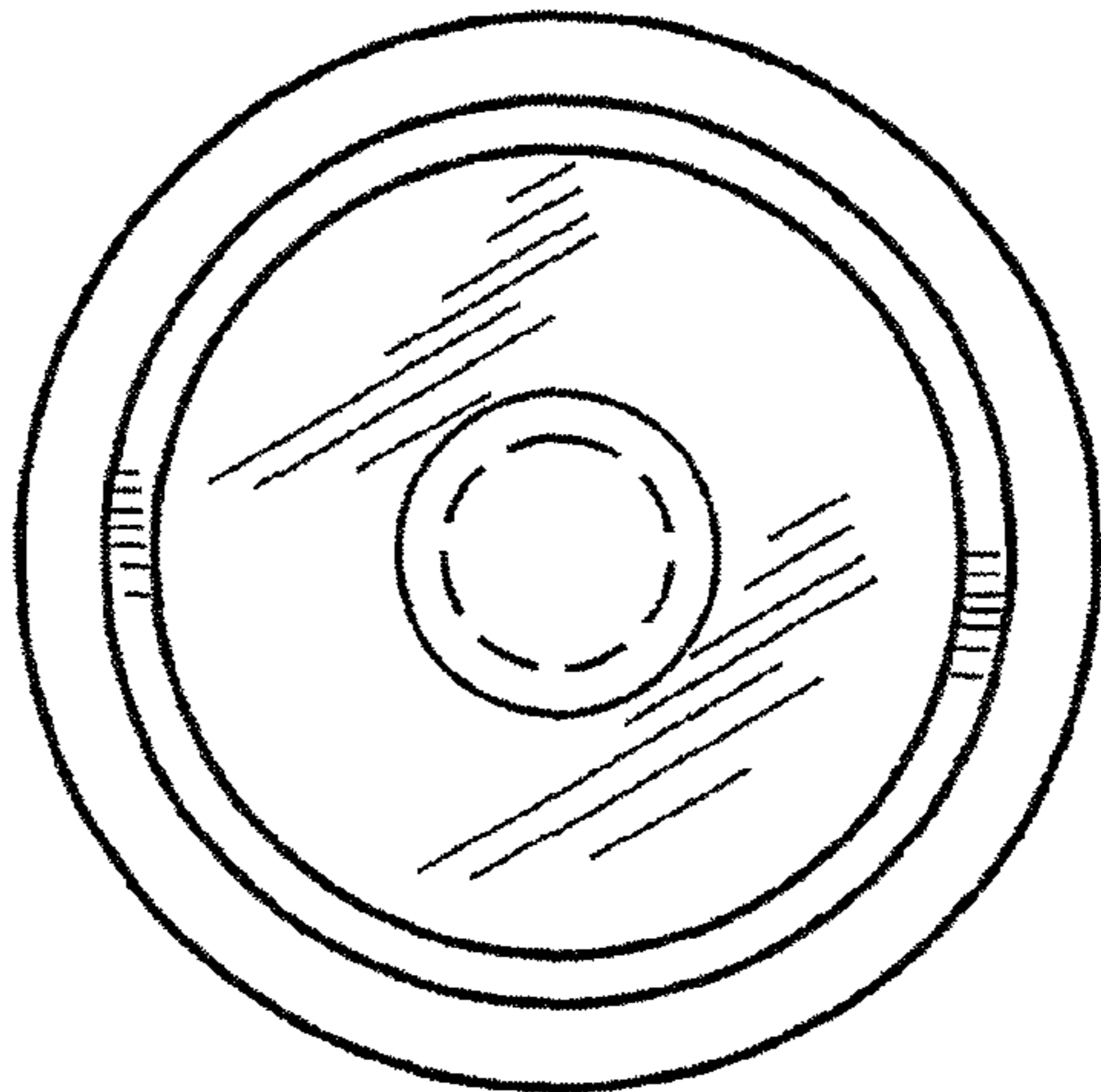


Fig. 4

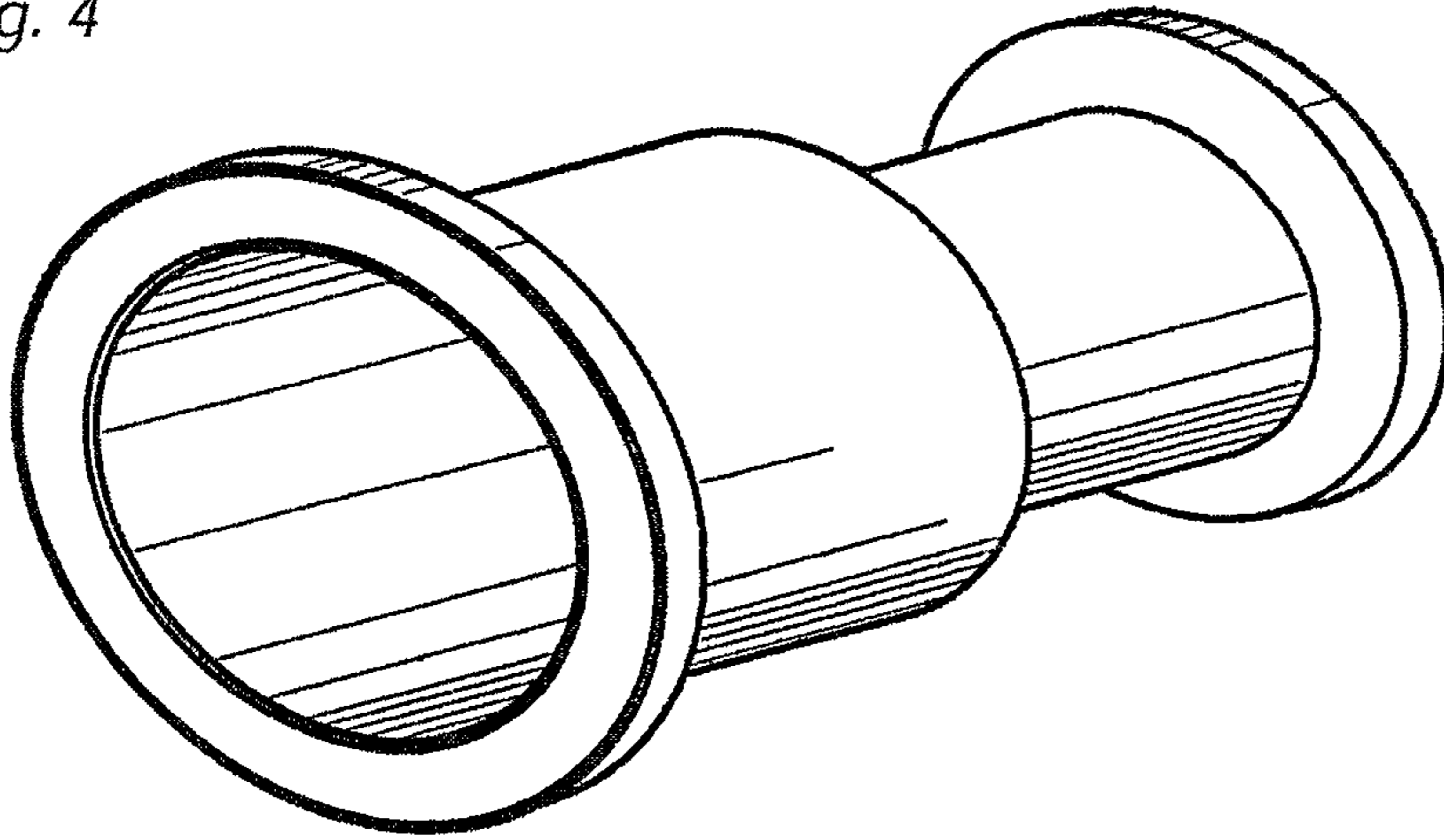


Fig. 5

