



US00D709994S

(12) **United States Design Patent**  
**King et al.**

(10) **Patent No.:** **US D709,994 S**  
(45) **Date of Patent:** **\*\* Jul. 29, 2014**

(54) **INSERT PORTION OF A PIPE FITTING**  
(75) Inventors: **Thomas A. King**, Chesterfield, MO  
(US); **Duane K. Smith**, St. Charles, MO  
(US); **Douglas L. Kirk**, Ballwin, MO  
(US)

(73) Assignee: **Blazing Products, Inc.**

(\*\*) Term: **14 Years**

(21) Appl. No.: **29/415,421**

(22) Filed: **Mar. 9, 2012**

**Related U.S. Application Data**

(63) Continuation of application No. 12/416,814, filed on Apr. 1, 2009, now abandoned, which is a continuation-in-part of application No. 11/868,231, filed on Oct. 5, 2007, now Pat. No. 8,172,276.

(51) **LOC (10) Cl.** ..... **23-01**

(52) **U.S. Cl.**  
USPC ..... **D23/259**

(58) **Field of Classification Search**  
USPC ..... D23/245, 249, 254, 259-262; D8/382;  
D13/155; D24/129; 285/86-93  
See application file for complete search history.

(56) **References Cited**

**U.S. PATENT DOCUMENTS**

15,846 A 10/1856 Ferry  
105,818 A 7/1870 Lord  
224,586 A 2/1880 Earle  
278,961 A 6/1883 Hobbs  
484,656 A 10/1892 Doolittle  
535,880 A 3/1895 Anderson  
545,066 A 8/1895 Fregeau  
567,962 A 9/1896 Cooper  
589,216 A 8/1897 McKee  
651,134 A 6/1900 Dickens

679,399 A 7/1901 Smith et al.  
781,952 A 2/1905 Jones  
1,367,312 A \* 2/1921 Ford ..... 285/31  
1,370,739 A 3/1921 Gay  
1,606,320 A 11/1926 Scott  
1,802,499 A 4/1931 Chapman  
1,928,316 A 9/1933 Muto  
2,332,350 A 10/1943 Scritchfield  
2,344,163 A 3/1944 Misch  
2,478,586 A 8/1949 Krapp  
2,793,055 A 5/1957 Meyerhoefer  
2,833,567 A 5/1958 Bacher et al.  
2,839,075 A 6/1958 Mueller  
2,978,262 A 4/1961 Franck

(Continued)

**OTHER PUBLICATIONS**

Olson Irrigation Systems EZ-E11, <http://www.olsonirrigation.com/PROD/OISEZEL/OLSezel.html>, web page printed Feb. 27, 2007.

(Continued)

*Primary Examiner* — Eric Goodman

*Assistant Examiner* — John Reickel

(74) *Attorney, Agent, or Firm* — Schroeder & Siegfried, P.A.

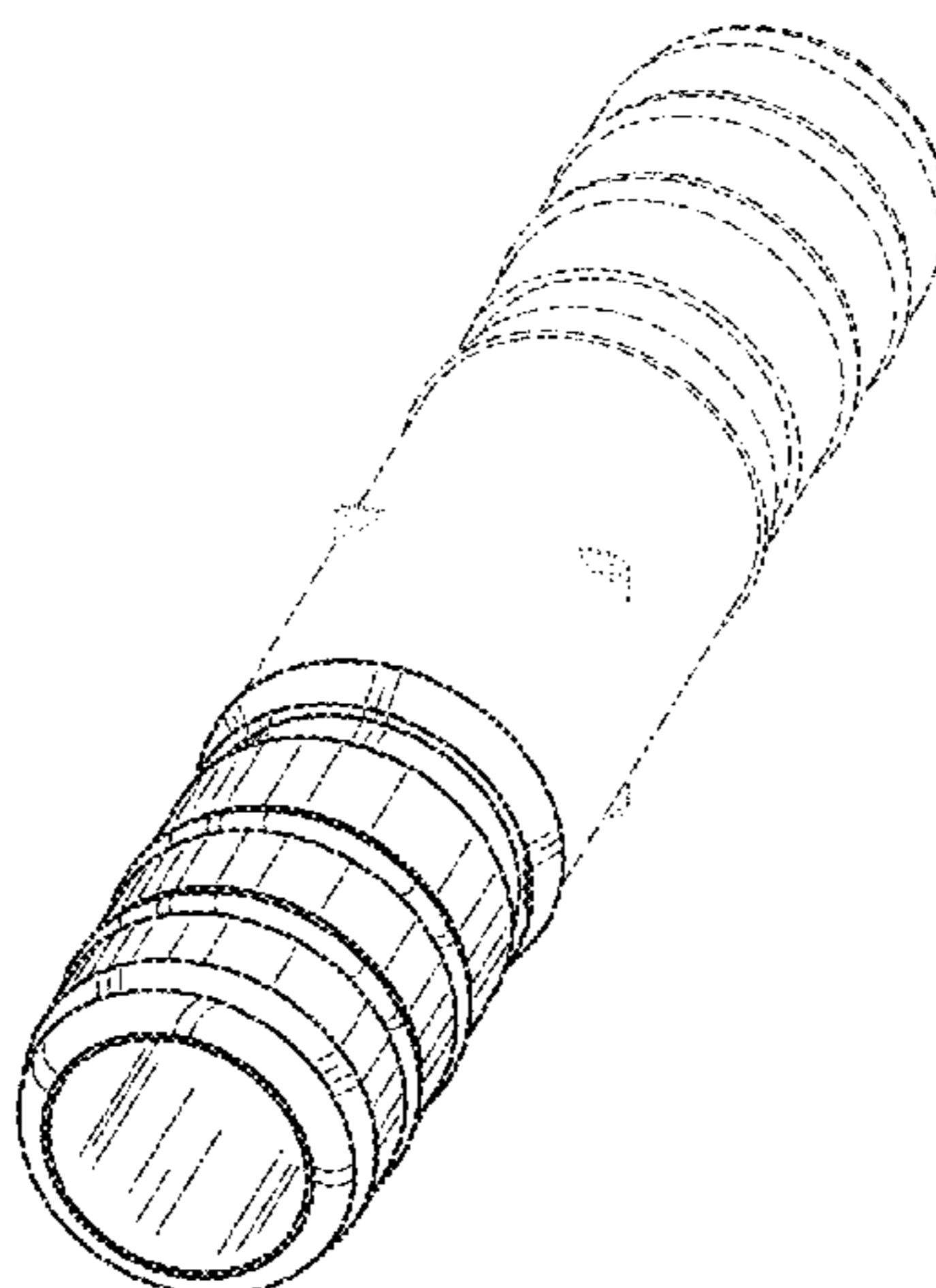
(57) **CLAIM**

The ornamental design for a insert portion of a pipe fitting, as shown in the drawings.

**DESCRIPTION**

FIG. 1 is a perspective view of an insert portion of a pipe fitting showing our new design;  
FIG. 2 is a top plan view thereof;  
FIG. 3 is a bottom plan view thereof;  
FIG. 4 is a side elevational view thereof, the opposite side being the mirror image;  
FIG. 5 is a front elevational view thereof; and,  
FIG. 6 is a rear elevational view thereof.

**1 Claim, 3 Drawing Sheets**



(56)

References Cited

U.S. PATENT DOCUMENTS

3,154,329 A 10/1964 Skinner  
 3,158,388 A 11/1964 Marshall  
 3,162,211 A 12/1964 Barusch  
 3,167,335 A 1/1965 Maisch  
 3,189,372 A \* 6/1965 Johnson ..... 285/91  
 3,258,822 A 7/1966 Schlesch et al.  
 3,280,846 A 10/1966 Anderson et al.  
 3,343,724 A 9/1967 Malpas  
 3,432,188 A 3/1969 Turner  
 3,439,942 A 4/1969 Moore et al.  
 3,460,715 A 8/1969 Lane et al.  
 3,460,721 A 8/1969 Hamel et al.  
 3,471,176 A 10/1969 Gilchrist  
 3,489,441 A 1/1970 Malcolm  
 3,495,615 A 2/1970 Ehrens et al.  
 3,509,905 A 5/1970 Mullins  
 3,554,217 A 1/1971 Ehrens  
 3,580,269 A 5/1971 Ehrens  
 3,633,948 A 1/1972 Dickey  
 D227,890 S \* 7/1973 Felix ..... D23/262  
 3,756,267 A 9/1973 Hutton  
 3,762,263 A 10/1973 Bocceda  
 3,825,286 A 7/1974 Henry, III  
 3,891,150 A 6/1975 Hoff et al.  
 D239,448 S \* 4/1976 Kazienko et al. .... D23/259  
 3,990,729 A 11/1976 Szentmihaly et al.  
 3,999,785 A 12/1976 Blakeley  
 4,034,802 A 7/1977 Schwarz  
 4,076,038 A 2/1978 Wynne  
 4,077,657 A \* 3/1978 Trzeciak ..... 285/184  
 4,112,944 A 9/1978 Williams  
 4,158,461 A 6/1979 Francis  
 4,183,120 A 1/1980 Thorne  
 4,212,487 A 7/1980 Jones et al.  
 4,222,593 A 9/1980 Lauffenburger  
 4,225,162 A 9/1980 Dola  
 4,239,265 A 12/1980 King, Sr.  
 4,258,742 A 3/1981 Louthan et al.  
 4,364,406 A 12/1982 Bohlin  
 4,373,235 A 2/1983 Korgaonkar  
 4,396,210 A 8/1983 Spencer et al.  
 4,434,809 A 3/1984 Rogstadius  
 4,522,339 A 6/1985 Costa  
 4,540,011 A 9/1985 Croxford et al.  
 4,557,024 A 12/1985 Roberts et al.  
 4,574,443 A 3/1986 Persak et al.  
 4,647,075 A 3/1987 Vargo  
 4,730,636 A 3/1988 Volgstadt et al.  
 4,763,932 A 8/1988 Matz et al.  
 D298,605 S \* 11/1988 Colgan et al. .... D8/382  
 4,789,189 A 12/1988 Robertson  
 D307,541 S 5/1990 Tres  
 4,935,992 A 6/1990 Due  
 D320,842 S \* 10/1991 Roman ..... D23/262  
 5,054,820 A 10/1991 Lesquir et al.  
 5,076,318 A 12/1991 Fedora  
 5,095,564 A 3/1992 Kruger  
 D325,775 S \* 4/1992 Hayes ..... D23/262

5,105,844 A 4/1992 King, Sr.  
 5,157,815 A 10/1992 Dyer  
 5,216,784 A 6/1993 Dyer  
 5,241,981 A 9/1993 Ahern  
 5,345,964 A 9/1994 Friedel  
 5,425,395 A 6/1995 Brennan  
 5,518,278 A 5/1996 Sampson  
 5,577,529 A 11/1996 Katz  
 5,609,181 A 3/1997 Evans  
 5,640,991 A 6/1997 King  
 5,671,770 A 9/1997 Rusche et al.  
 5,694,972 A 12/1997 King  
 D392,372 S \* 3/1998 Saito et al. .... D23/264  
 5,732,732 A 3/1998 Gross et al.  
 D398,380 S \* 9/1998 Bevacco ..... D23/260  
 5,846,412 A 12/1998 Tharp  
 D407,802 S \* 4/1999 Hatfield et al. .... D23/262  
 5,896,885 A 4/1999 Svetlik  
 5,921,586 A 7/1999 Prassas et al.  
 5,964,240 A 10/1999 Granovski  
 5,964,241 A 10/1999 King  
 5,967,168 A 10/1999 Kitani et al.  
 D418,210 S \* 12/1999 Roesch ..... D23/262  
 6,012,475 A 1/2000 Taylor et al.  
 6,015,168 A 1/2000 Fahl  
 D419,860 S \* 2/2000 Persson ..... D8/382  
 6,062,607 A 5/2000 Bartholomew  
 D427,668 S \* 7/2000 Stout, Jr. .... D23/262  
 6,089,619 A 7/2000 Goda  
 D428,805 S \* 8/2000 Sato et al. .... D8/382  
 6,216,723 B1 4/2001 King  
 6,220,635 B1 4/2001 Vitel et al.  
 6,357,472 B1 3/2002 King  
 6,439,620 B1 8/2002 Guest  
 D464,409 S \* 10/2002 Nishio ..... D23/266  
 6,473,943 B1 11/2002 Thacker  
 6,510,865 B2 1/2003 King  
 6,601,605 B2 8/2003 King, Jr.  
 D482,761 S \* 11/2003 Gotoh et al. .... D23/262  
 D483,096 S \* 12/2003 Gotoh et al. .... D23/262  
 6,767,033 B2 7/2004 King et al.  
 6,773,036 B1 8/2004 King  
 6,791,031 B1 9/2004 Manning  
 6,986,532 B1 1/2006 King  
 D623,277 S \* 9/2010 Guzzoni et al. .... D23/262  
 D627,039 S \* 11/2010 Yu ..... D23/260  
 D631,542 S \* 1/2011 DeGross et al. .... D24/129  
 D632,165 S \* 2/2011 Daniel et al. .... D8/382  
 D636,079 S \* 4/2011 Leypold et al. .... D24/129  
 D649,228 S \* 11/2011 Drenth ..... D23/259  
 D676,940 S \* 2/2013 Kluss et al. .... D23/262  
 2001/0032667 A1 10/2001 King, Jr. et al.  
 2002/0163191 A1 11/2002 Muenster et al.  
 2003/0230894 A1 \* 12/2003 Cleveland et al. .... 285/239

OTHER PUBLICATIONS

Why Blu-Lock, The Future of Irrigation Installation, <http://www.blulock.com/why.html>, web page printed Apr. 12, 2007.

\* cited by examiner

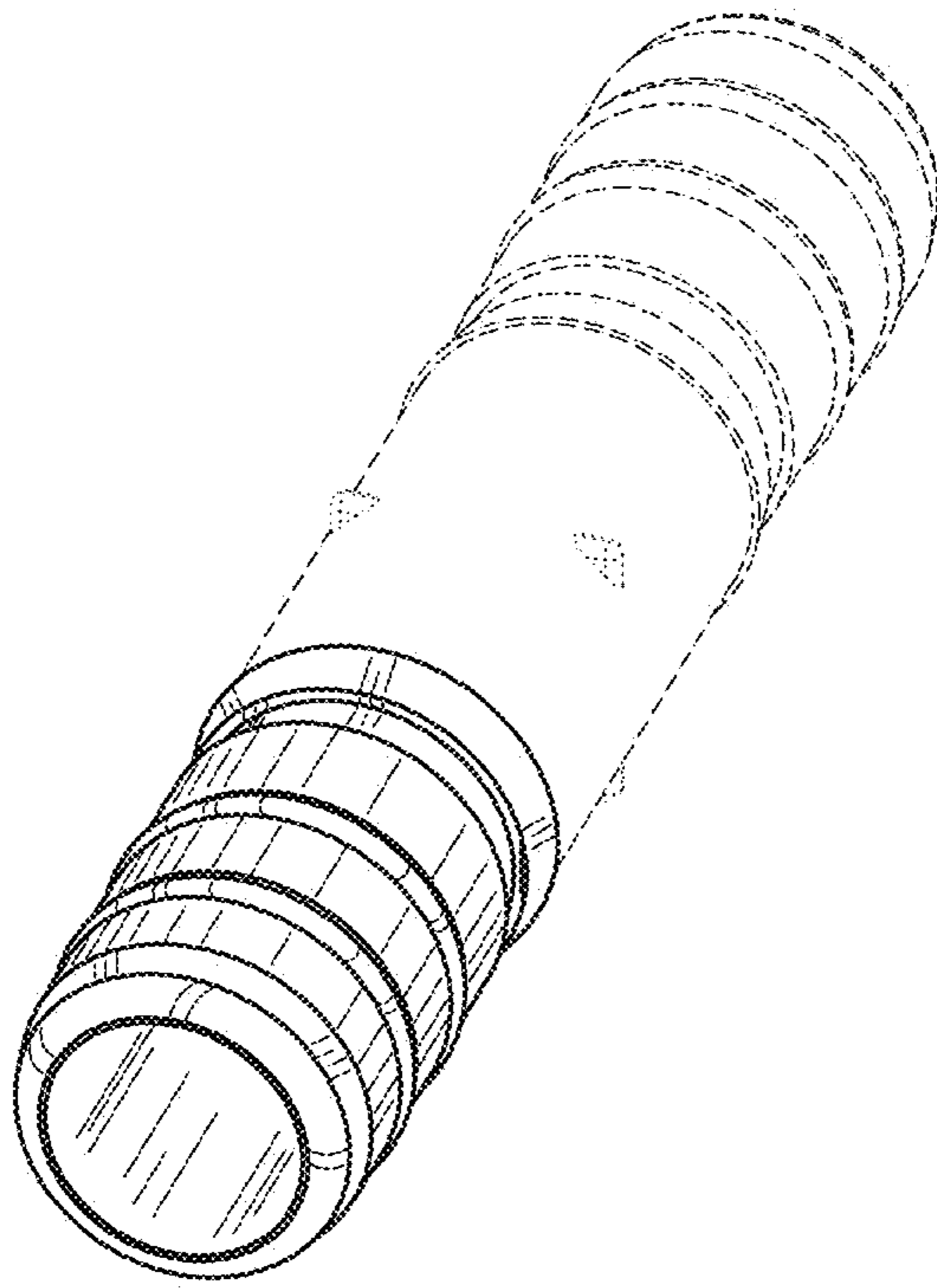


Fig. 1

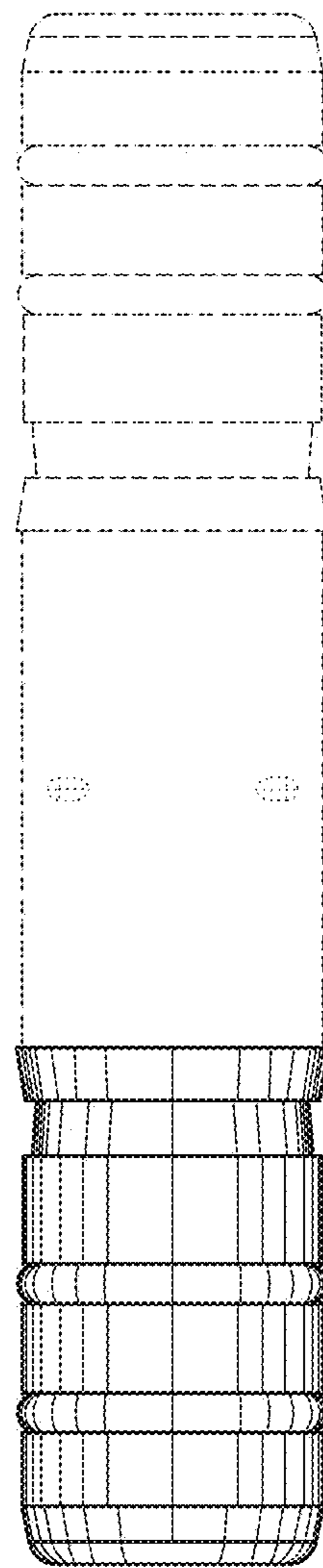


Fig. 2

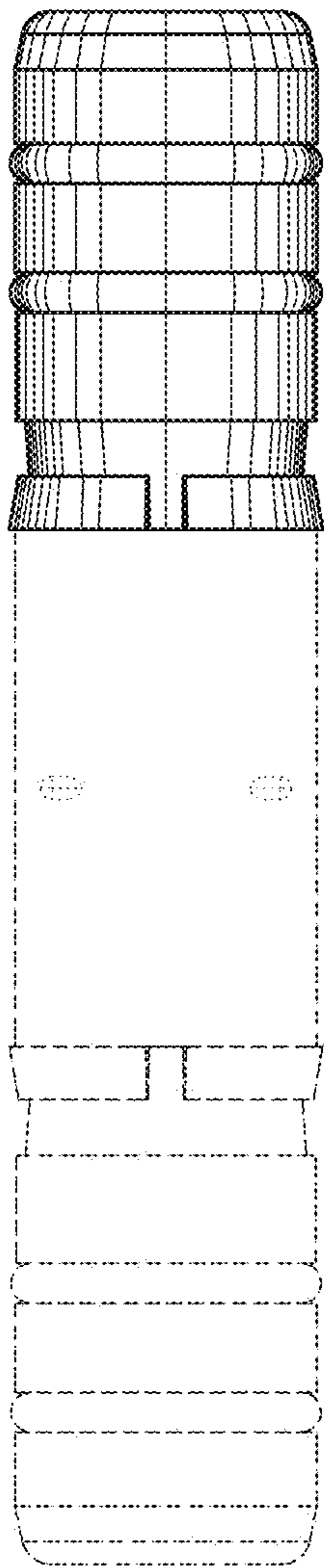


Fig. 3

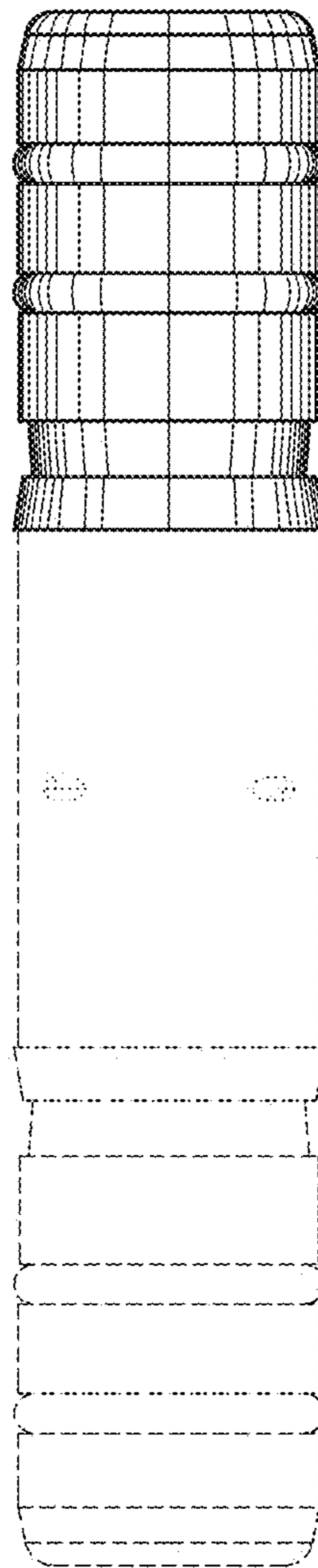


Fig. 4

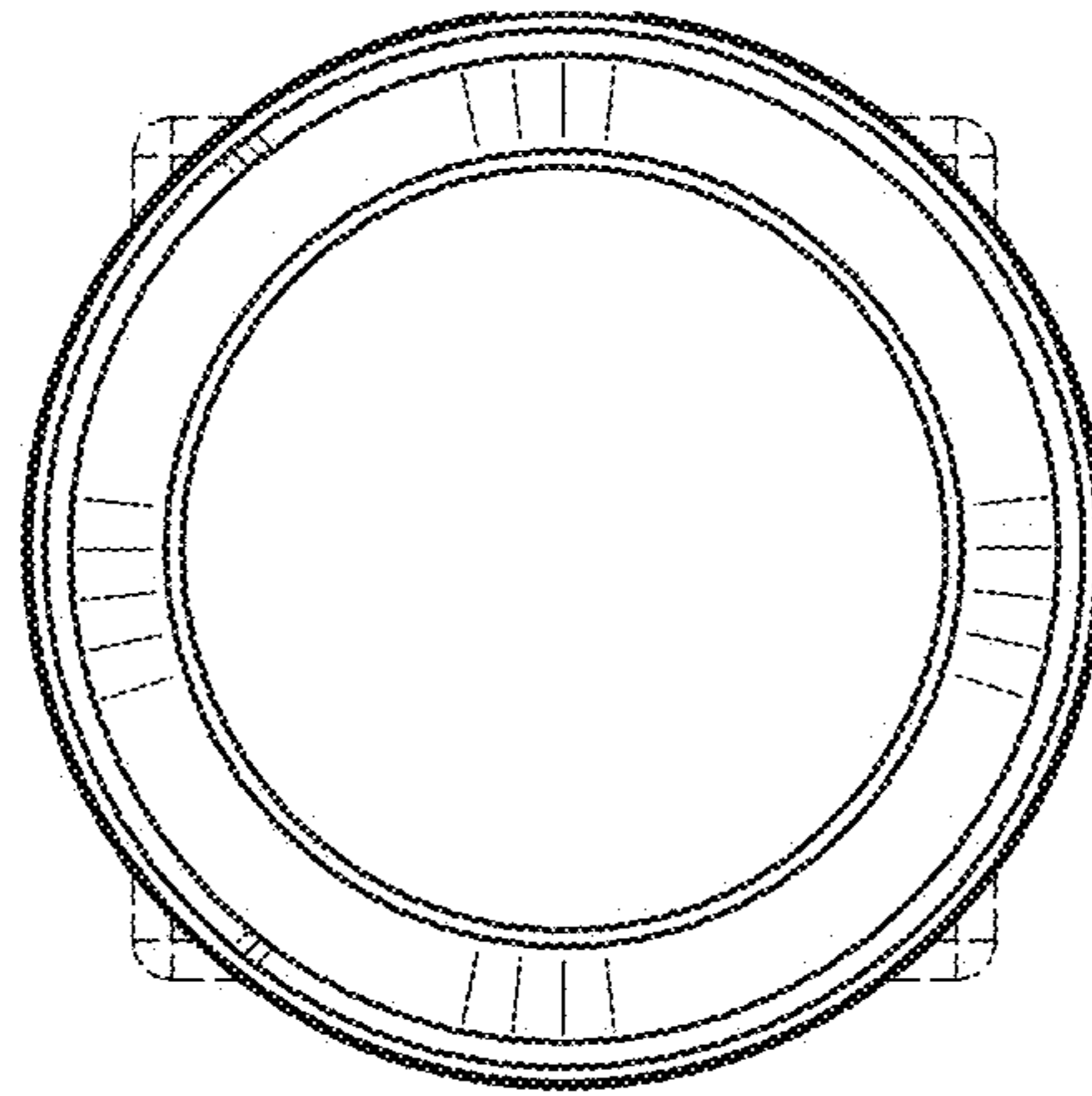


Fig. 5

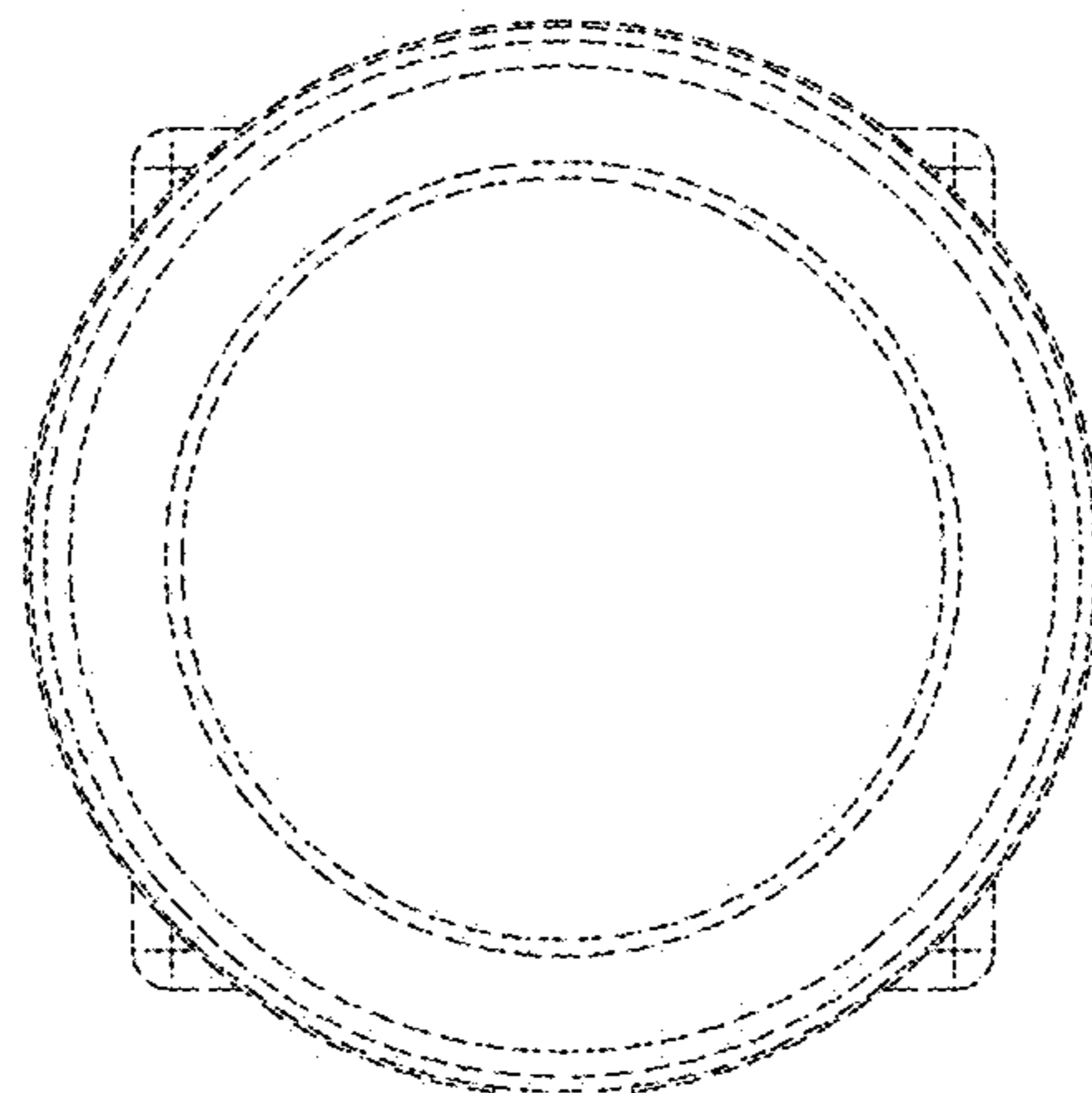


Fig. 6