



US00D709992S

(12) **United States Design Patent**
O’Leary et al.

(10) **Patent No.:** **US D709,992 S**
(45) **Date of Patent:** **** Jul. 29, 2014**

- (54) **SUPPLY MACHINE**
- (71) Applicant: **Owens Corning Intellectual Capital, LLC**, Toledo, OH (US)
- (72) Inventors: **Robert J. O’Leary**, Newark, OH (US);
Christopher Relyea, Marysville, OH (US)
- (73) Assignee: **Owens Corning Intellectual Capital, LLC**, Toledo, OH (US)
- (**) Term: **14 Years**
- (21) Appl. No.: **29/444,486**
- (22) Filed: **Jan. 31, 2013**
- (51) **LOC (10) Cl.** **23-01**
- (52) **U.S. Cl.**
USPC **D23/225; D34/14**
- (58) **Field of Classification Search**
USPC D23/213, 225; D34/14, 18, 19, 25;
239/146, 147; 141/231; D15/13
See application file for complete search history.

D524,404 S *	7/2006	Mineau et al.	D23/213
D571,434 S *	6/2008	Renner	D23/223
D576,703 S *	9/2008	Nathan et al.	D23/225
D580,517 S *	11/2008	Mattson et al.	D23/225
D596,367 S *	7/2009	Katz	D34/19
D608,856 S *	1/2010	Dammkoehler	D23/223
D616,064 S *	5/2010	Mattson et al.	D23/225
D617,416 S *	6/2010	Chen	D23/223
7,967,222 B2 *	6/2011	Alexander	239/532
8,602,324 B2 *	12/2013	Kendall et al.	239/157

* cited by examiner

Primary Examiner — Robin V Webster

(74) *Attorney, Agent, or Firm* — Calfee, Halter & Griswold LLP

(57) **CLAIM**

The ornamental designs for a supply machine, as shown and described.

DESCRIPTION

FIG. 1 is a perspective view of a supply machine showing my new design;
 FIG. 2 is a front view thereof;
 FIG. 3 is a left side view thereof;
 FIG. 4 is a rear view thereof;
 FIG. 5 is a right side view thereof;
 FIG. 6 is a top view thereof; and,
 FIG. 7 is a bottom view.

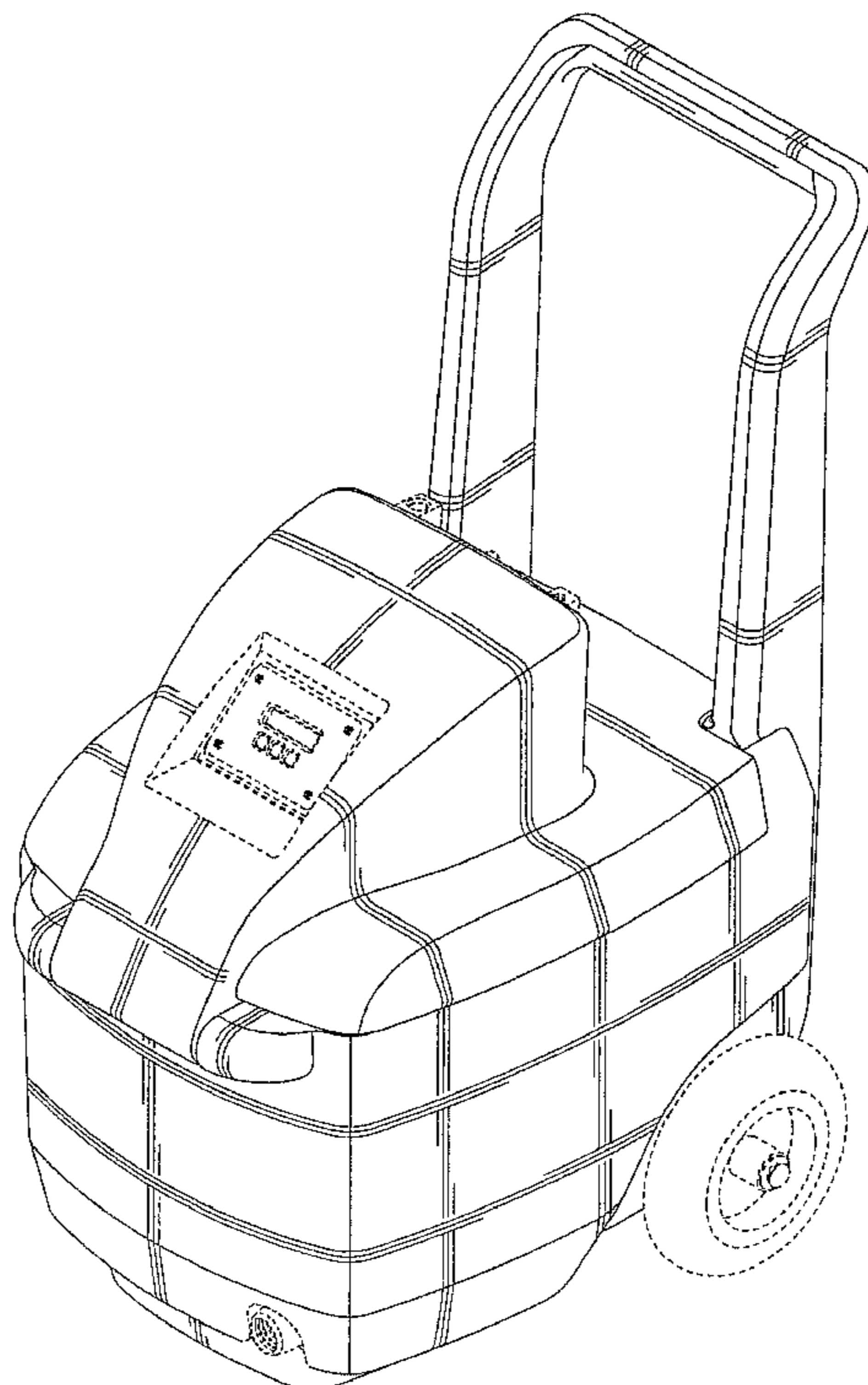
Any portions of the Figures shown in broken lines are not part of the claimed design but are for illustration only.

1 Claim, 4 Drawing Sheets

(56) **References Cited**

U.S. PATENT DOCUMENTS

3,361,300 A *	1/1968	Kaplan	222/133
D295,777 S *	5/1988	Steele	D23/223
D306,477 S *	3/1990	Weiss	D23/225
D419,641 S *	1/2000	Wilson	D23/223
D502,532 S *	3/2005	Schroeder et al.	D23/225



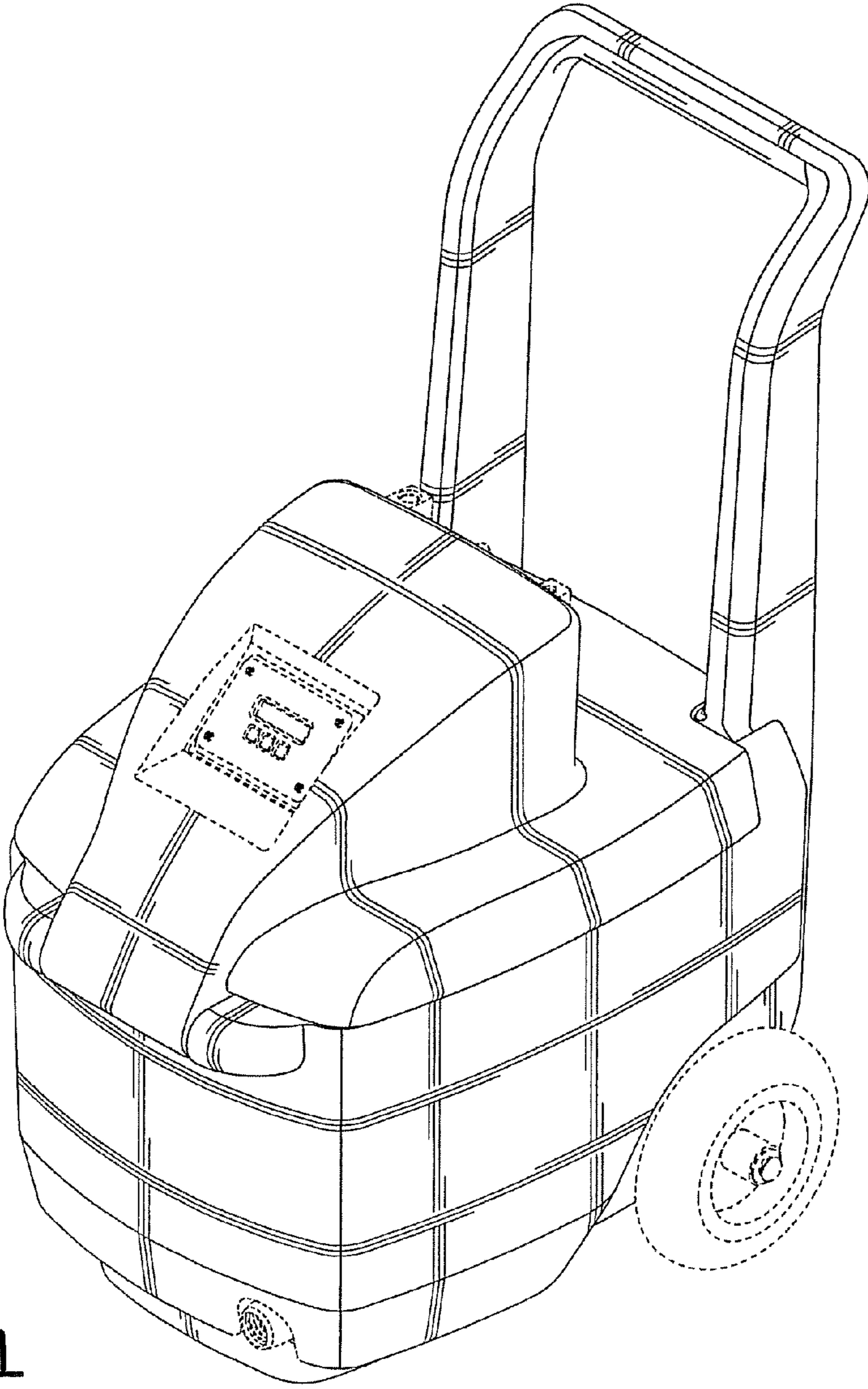


FIG. 1

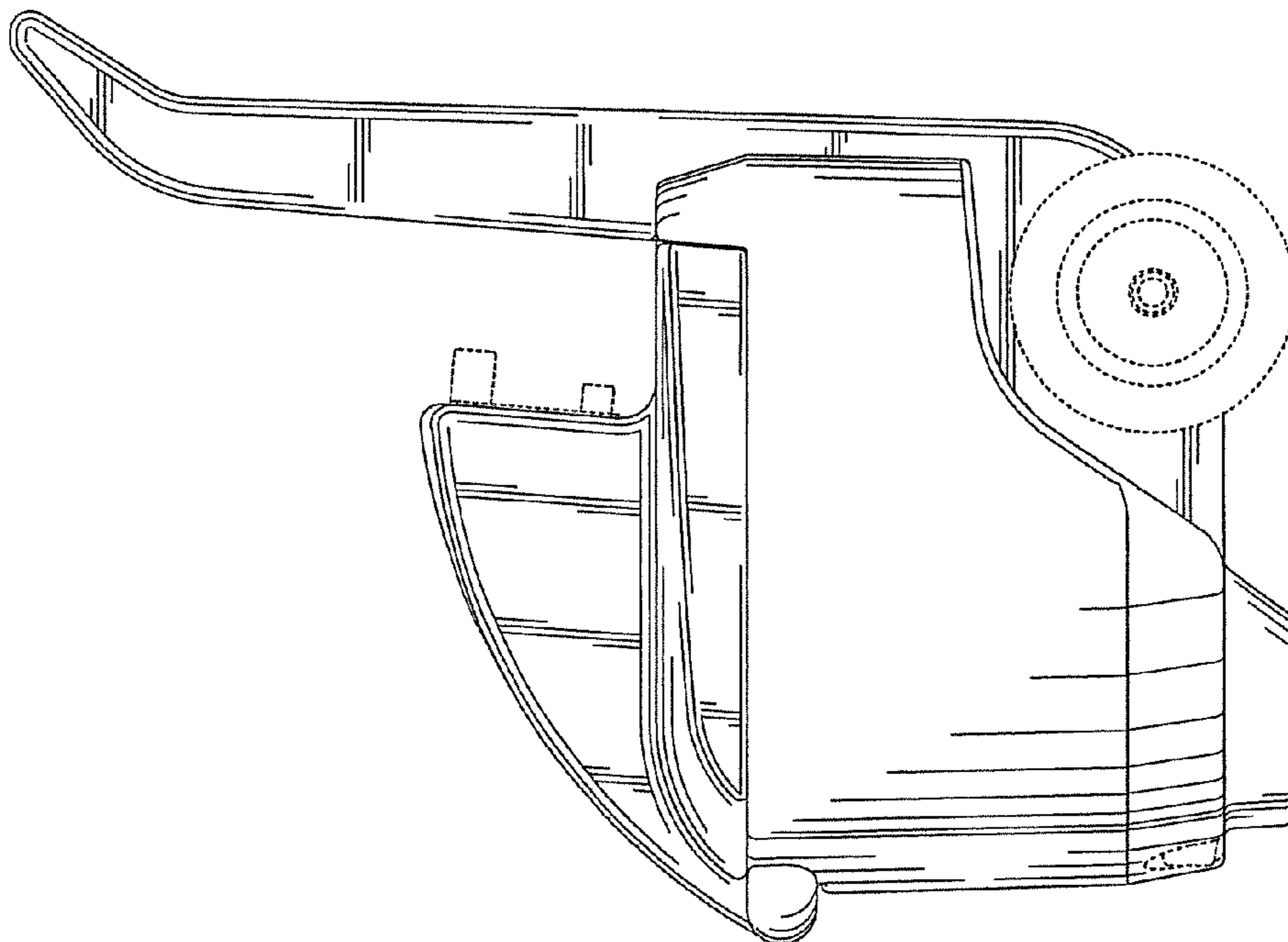


FIG. 3

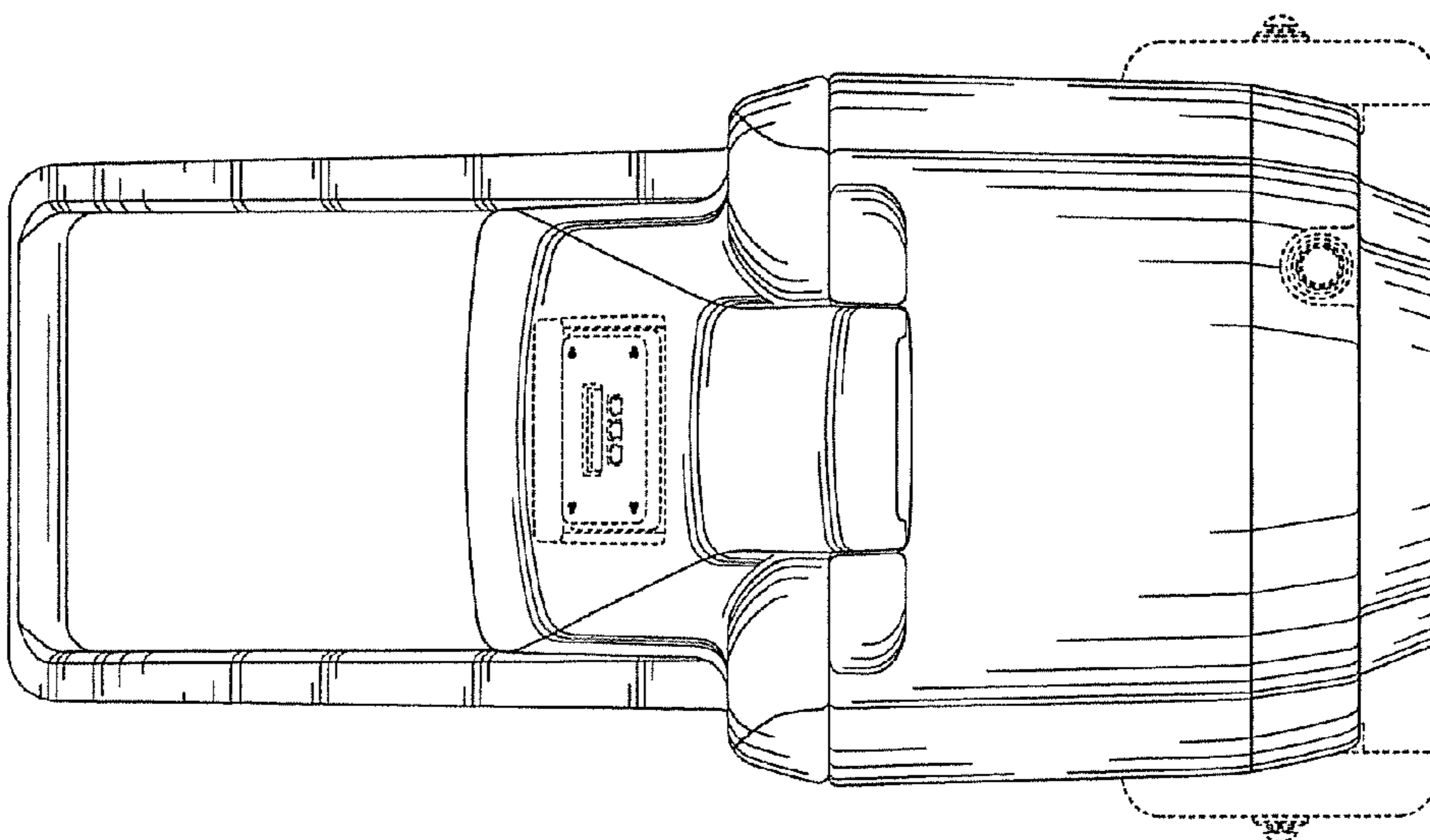


FIG. 2

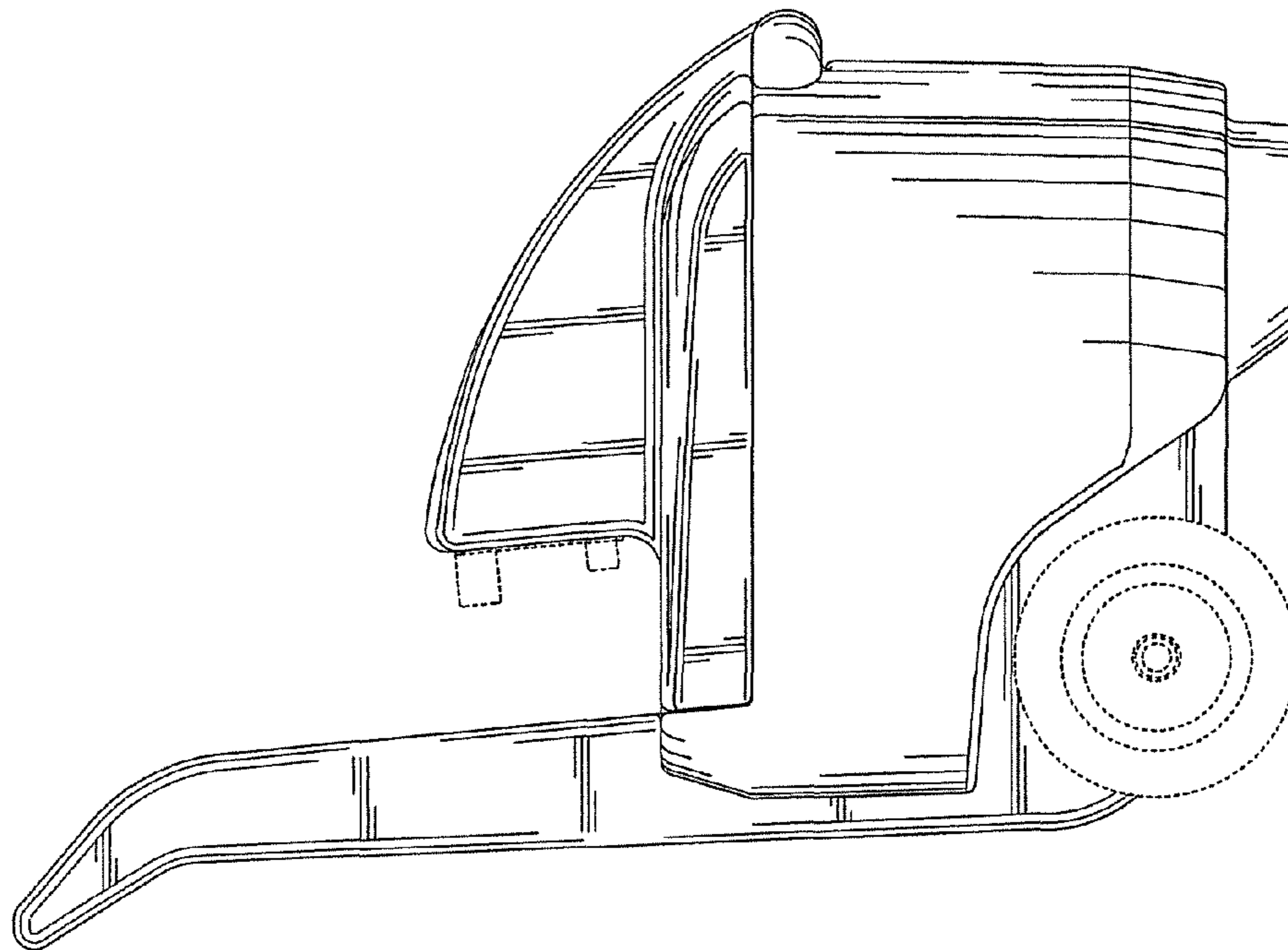


FIG. 5

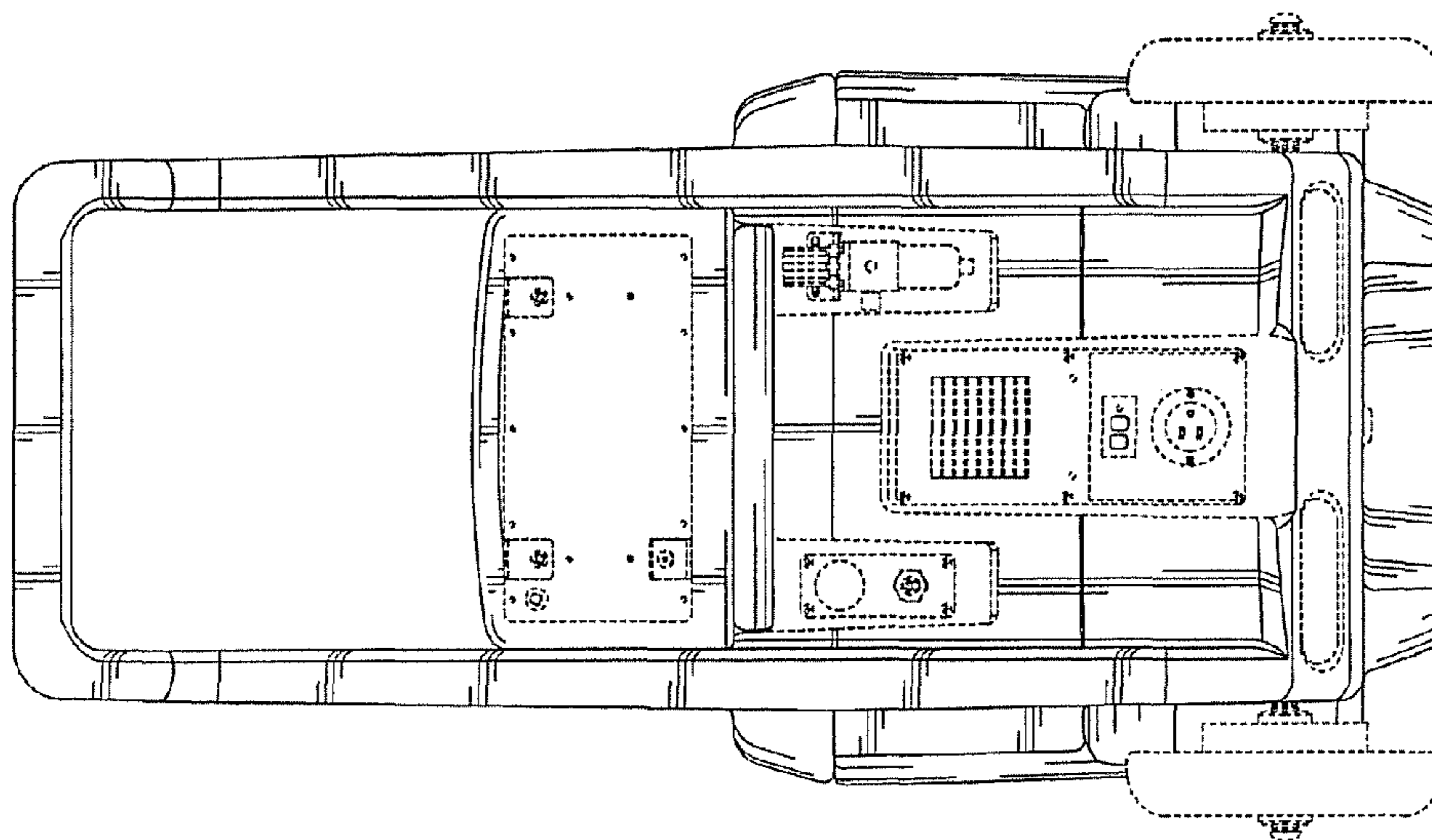


FIG. 4

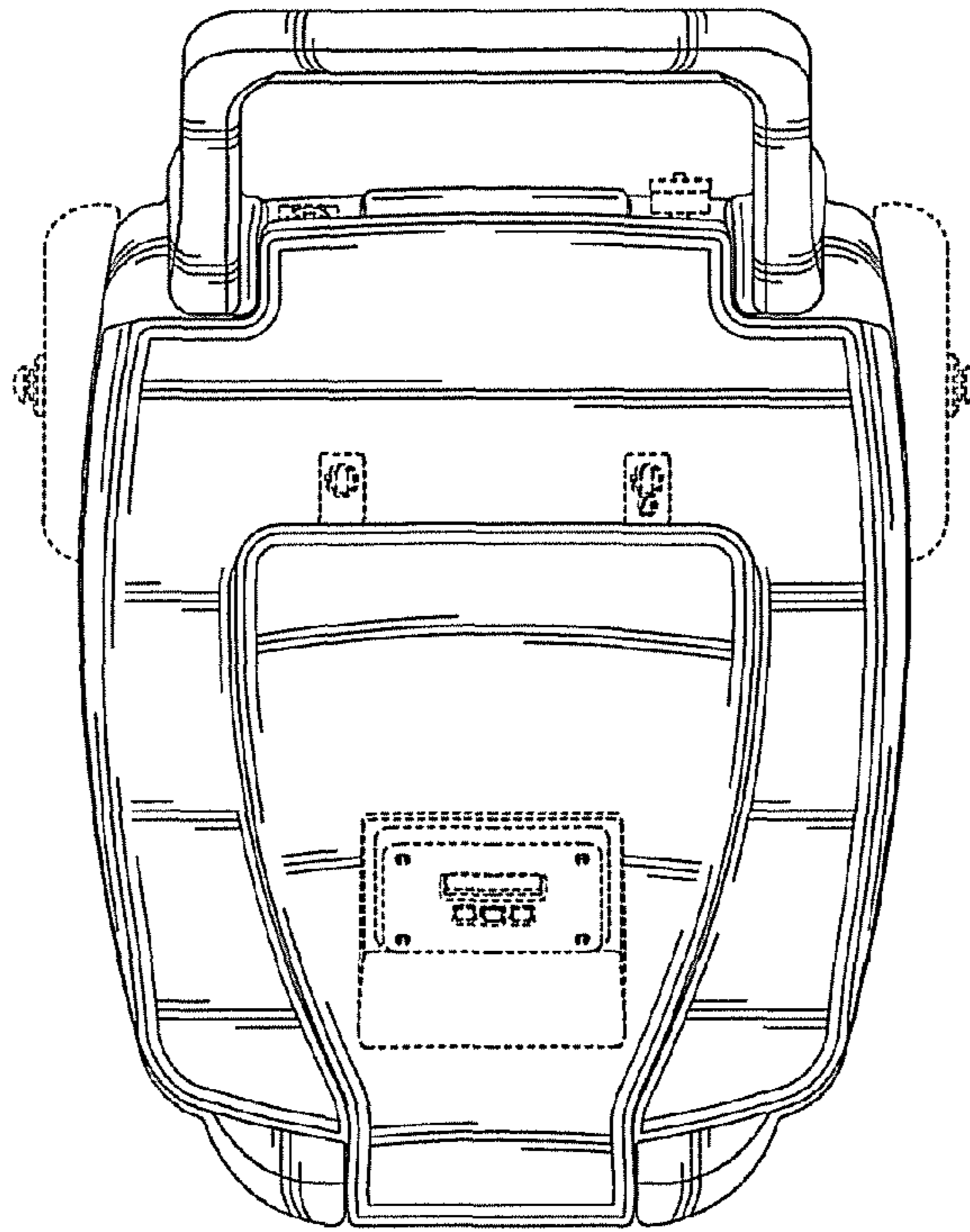


FIG. 6

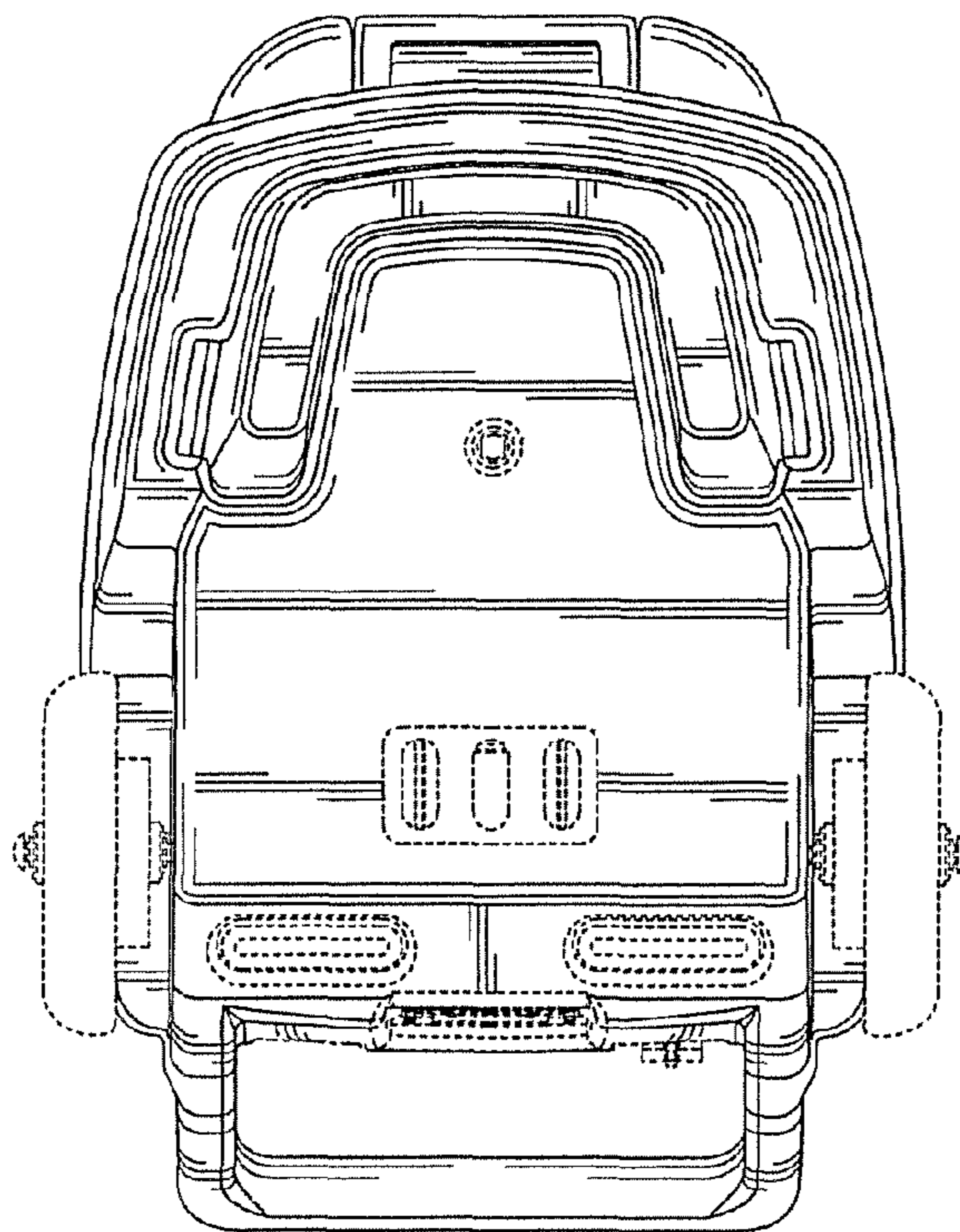


FIG. 7