



US00D709991S

(12) **United States Design Patent**
Loudon et al.

(10) **Patent No.:** **US D709,991 S**
(45) **Date of Patent:** **** Jul. 29, 2014**

(54) **SPRAY GUN WITH SELECTABLE ROTATING NOZZLE**

(71) Applicant: **Active Products Inc.**, North York (CA)

(72) Inventors: **Jonathan Loudon**, Toronto (CA);
Heather Lam, Toronto (CA); **Rebecca Brunette**, Toronto (CA); **Kevin Armour**, Toronto (CA)

(73) Assignee: **Active Products Inc.**, North York (CA)

(**) Term: **14 Years**

(21) Appl. No.: **29/456,429**

(22) Filed: **May 31, 2013**

(51) **LOC (10) Cl.** **23-01**

(52) **U.S. Cl.**
USPC **D23/223**

(58) **Field of Classification Search**
USPC D23/213, 223, 226; 239/525–527, 532
See application file for complete search history.

(56) **References Cited**

U.S. PATENT DOCUMENTS

3,888,421	A	*	6/1975	Chow	239/456
4,541,568	A	*	9/1985	Lichfield	239/441
D315,014	S	*	2/1991	Clivio	D23/226
D489,791	S	*	5/2004	Chen	D23/223
D538,392	S	*	3/2007	Fryan et al.	D23/223
D551,738	S	*	9/2007	Tanner	D23/226
D556,008	S	*	11/2007	Kerr	D8/107
D573,690	S	*	7/2008	Meyer et al.	D23/223

D592,277	S	*	5/2009	Yorns	D23/223
D615,158	S	*	5/2010	Chen	D23/226
D629,067	S	*	12/2010	Carpanese	D23/226
D636,848	S	*	4/2011	Fontaine	D23/226

* cited by examiner

Primary Examiner — Robin V Webster

(74) *Attorney, Agent, or Firm* — Bhole IP Law; Anil Bhole

(57) **CLAIM**

The ornamental design for the spray gun with selectable rotating nozzle, as shown, or as shown and described.

DESCRIPTION

FIG. 1 is a front left perspective view of a spray gun with selectable rotating nozzle in a first position;

FIG. 2 is a left side view of the spray gun in the position shown in FIG. 1;

FIG. 3 is a right side view of the spray gun in the position shown in FIG. 1;

FIG. 4 is a front view of the spray gun in the position shown in FIG. 1;

FIG. 5 is a rear view of the spray gun;

FIG. 6 is a top view of the spray gun in the position shown in FIG. 1;

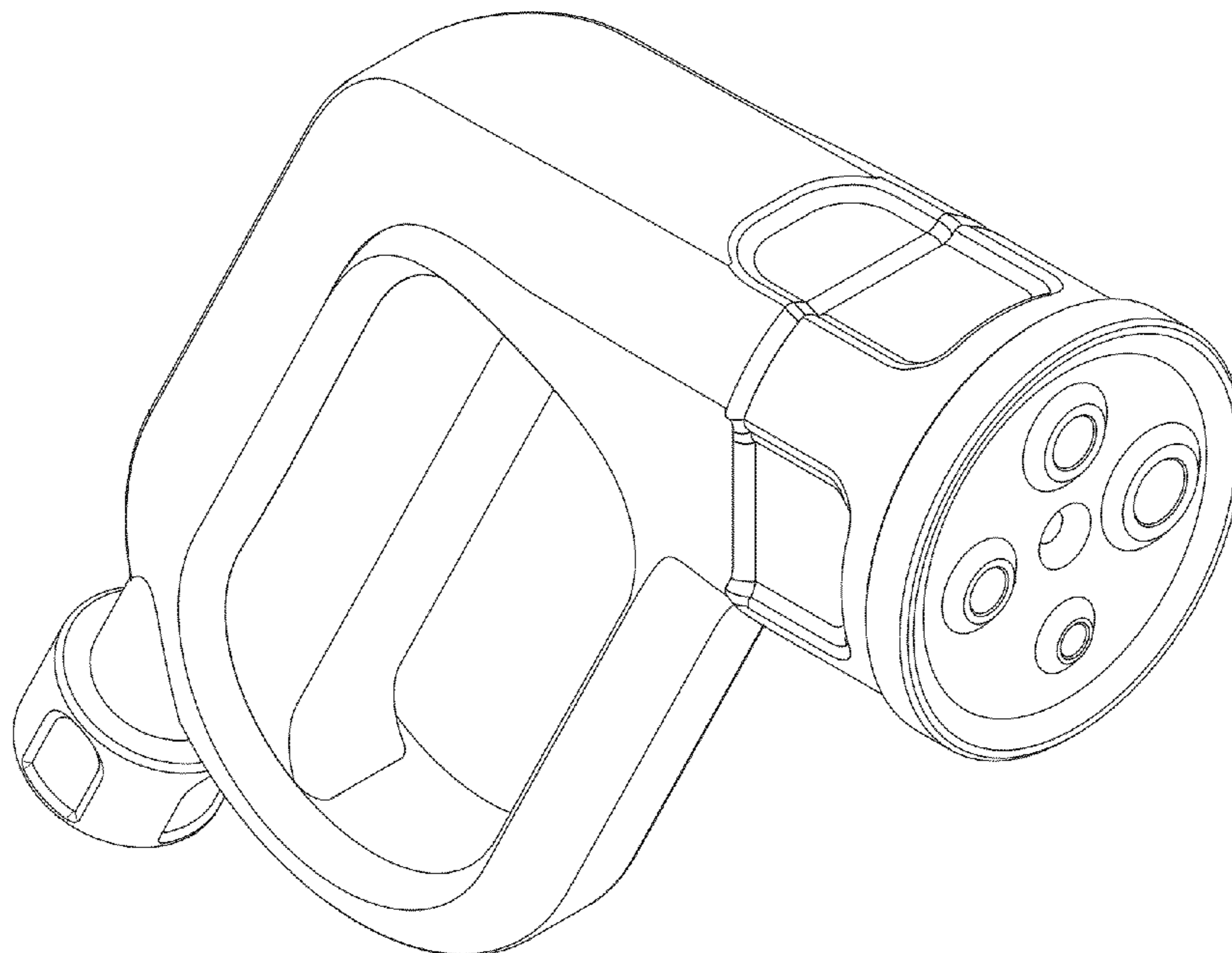
FIG. 7 is a bottom view of the spray gun in the position shown in FIG. 1;

FIG. 8 is a front left perspective view of the spray gun with selectable rotating nozzle in a second position;

FIG. 9 is a front left perspective view of the spray gun with selectable rotating nozzle in a third position; and,

FIG. 10 is a front left perspective view of the spray gun with selectable rotating nozzle in a fourth position.

1 Claim, 10 Drawing Sheets



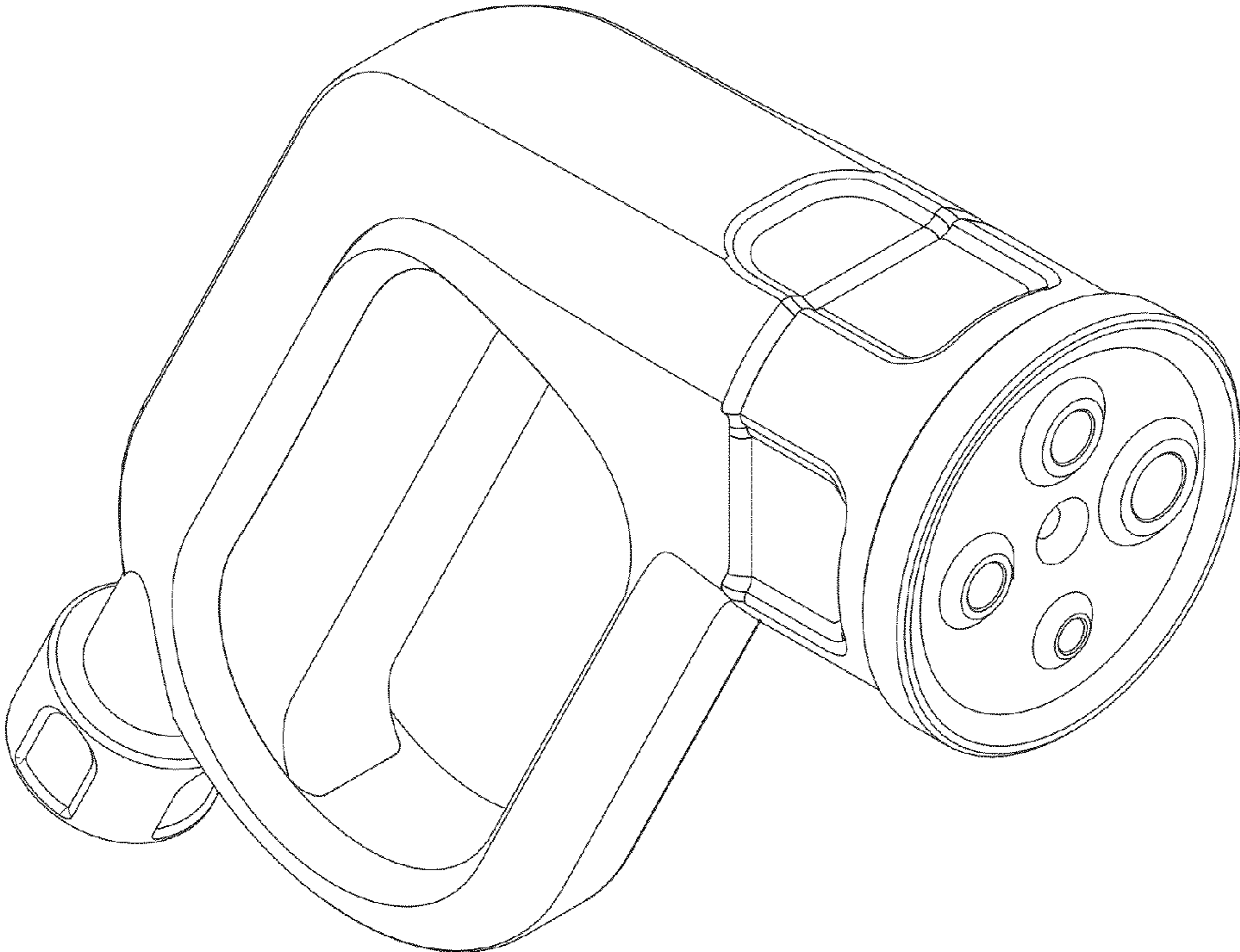


FIG. 1

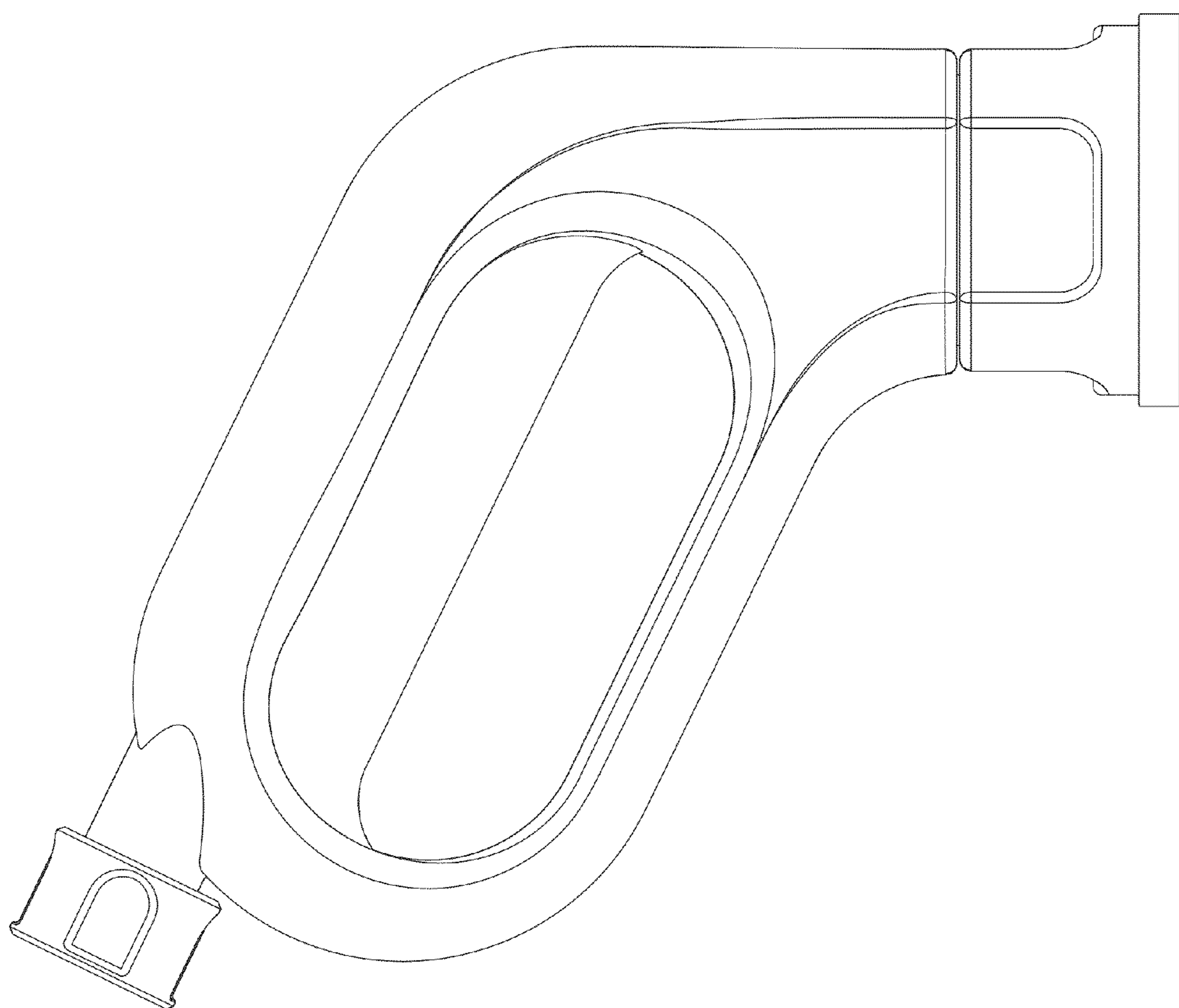


FIG. 2

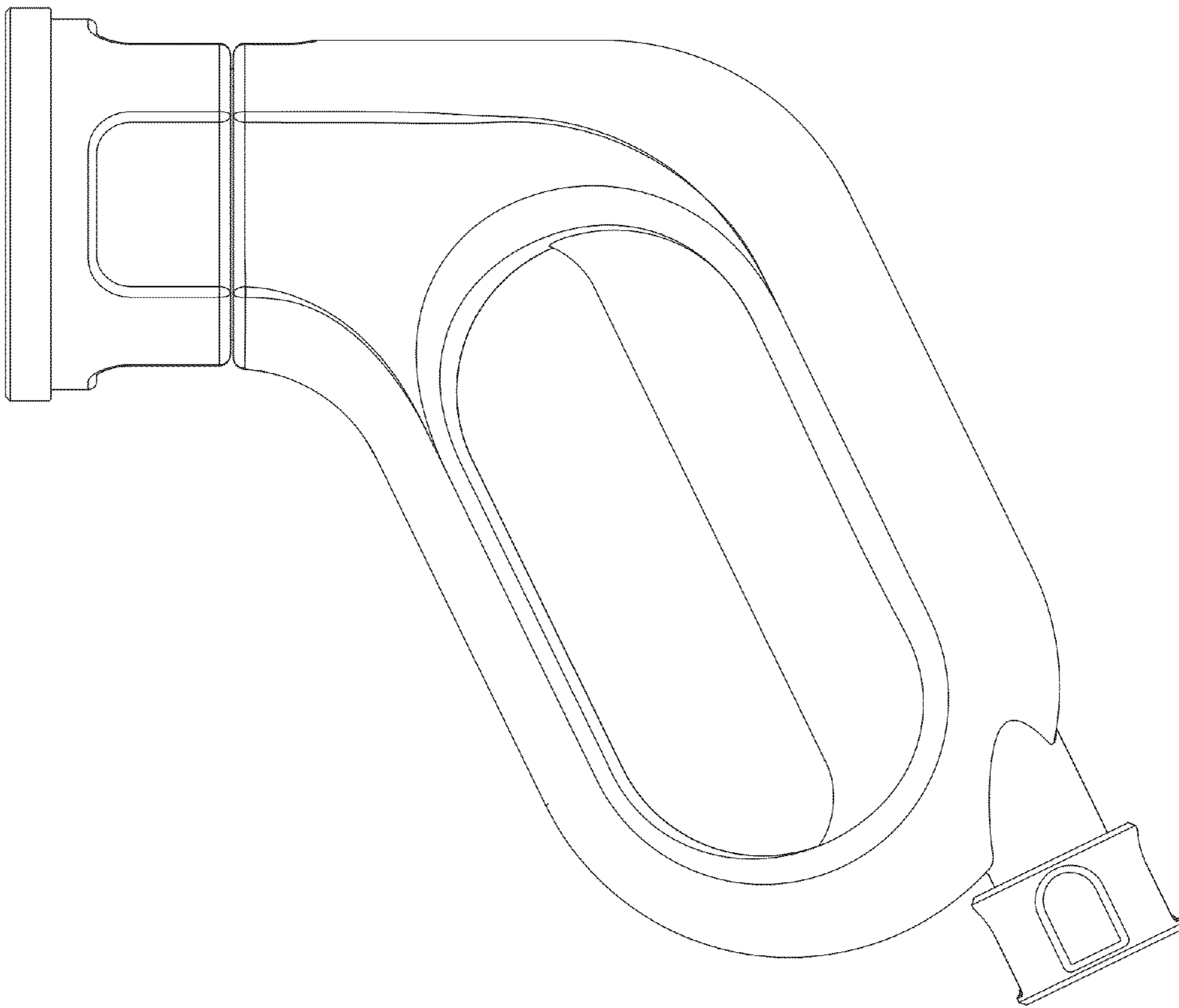


FIG. 3

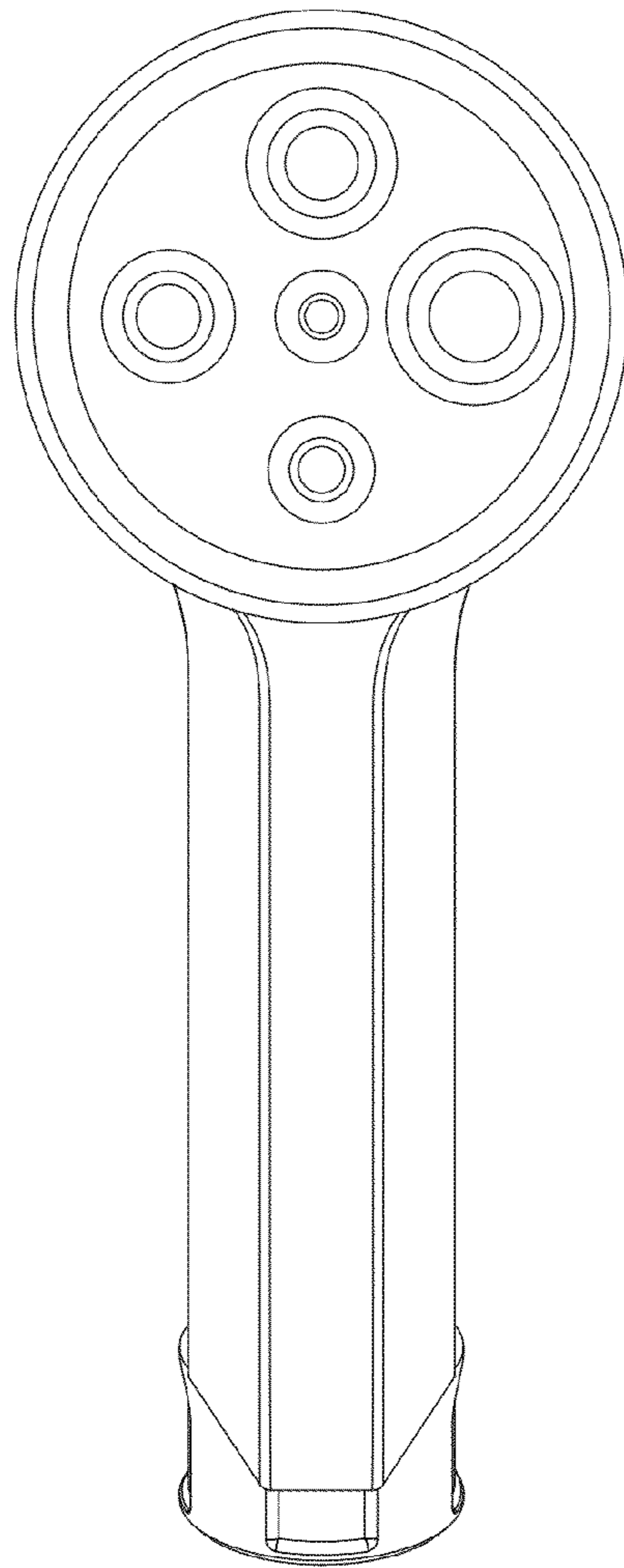


FIG. 4

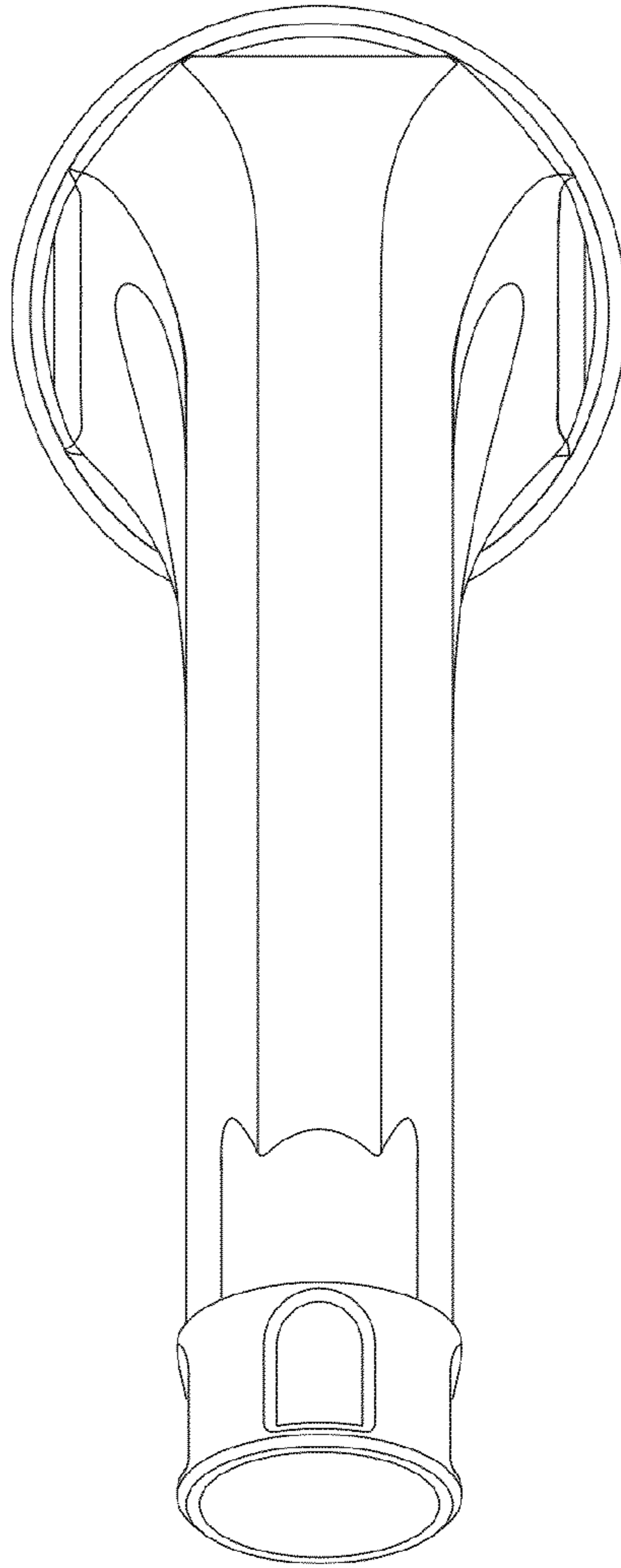


FIG. 5

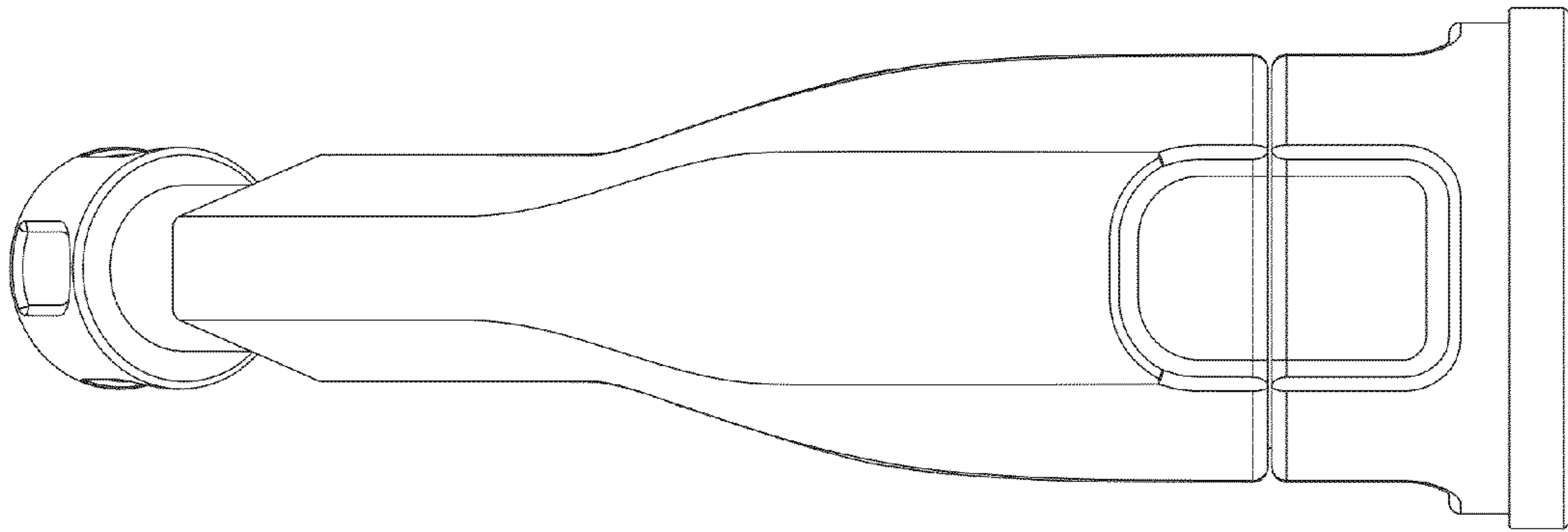


FIG. 6

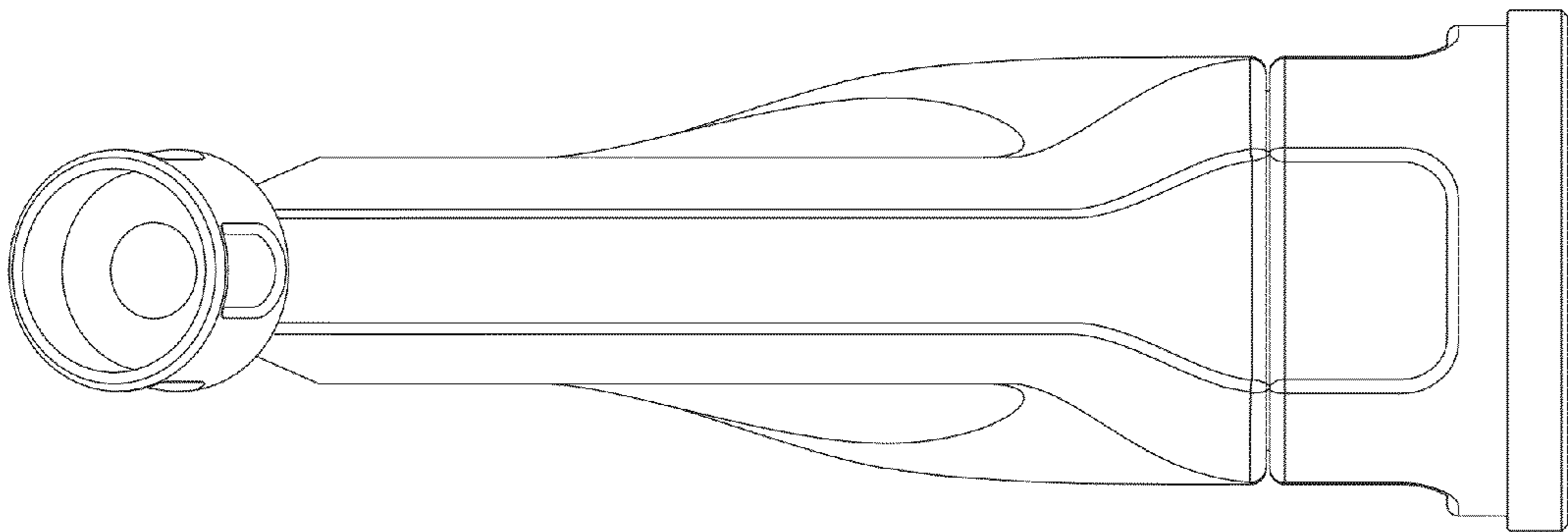


FIG. 7

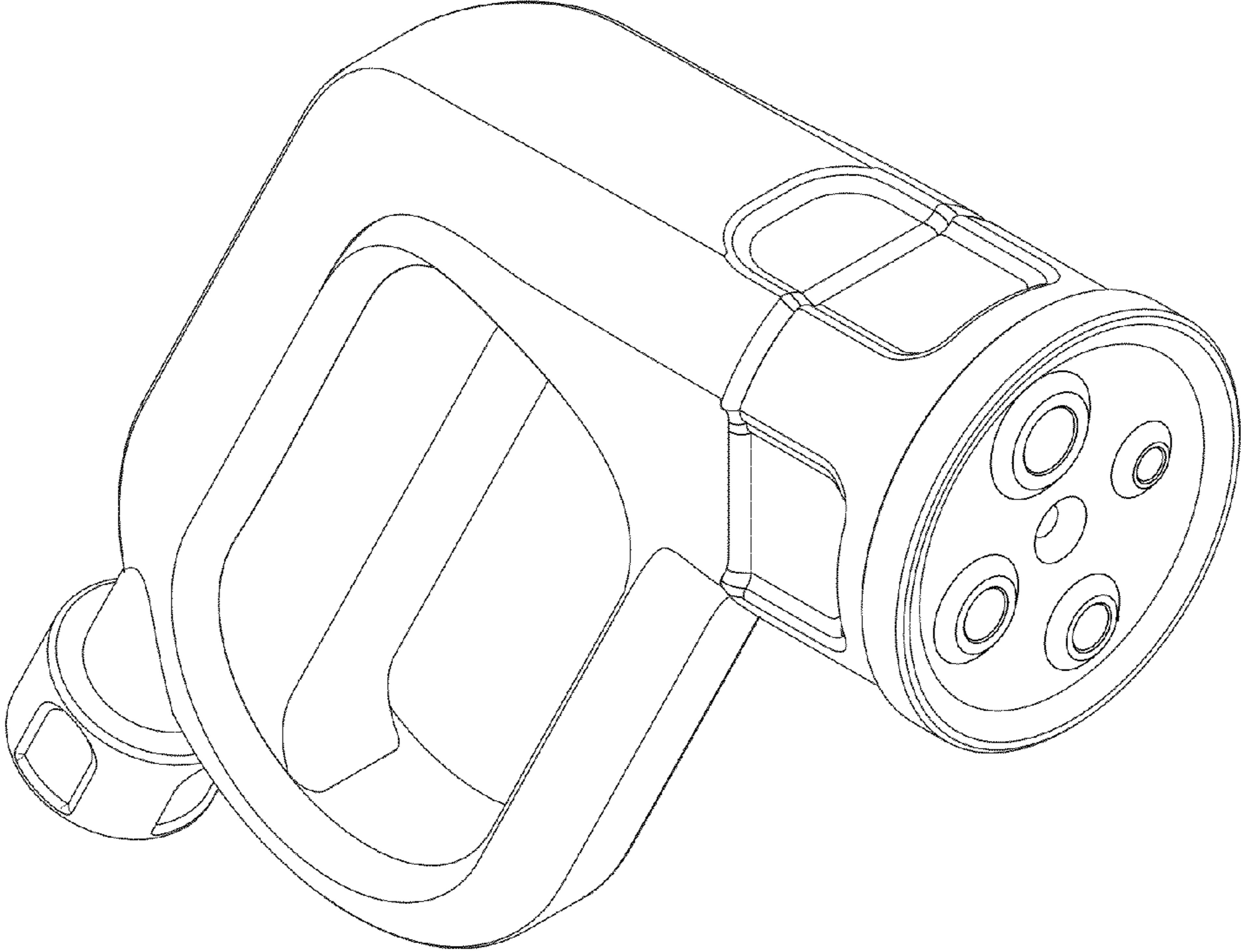


FIG. 8

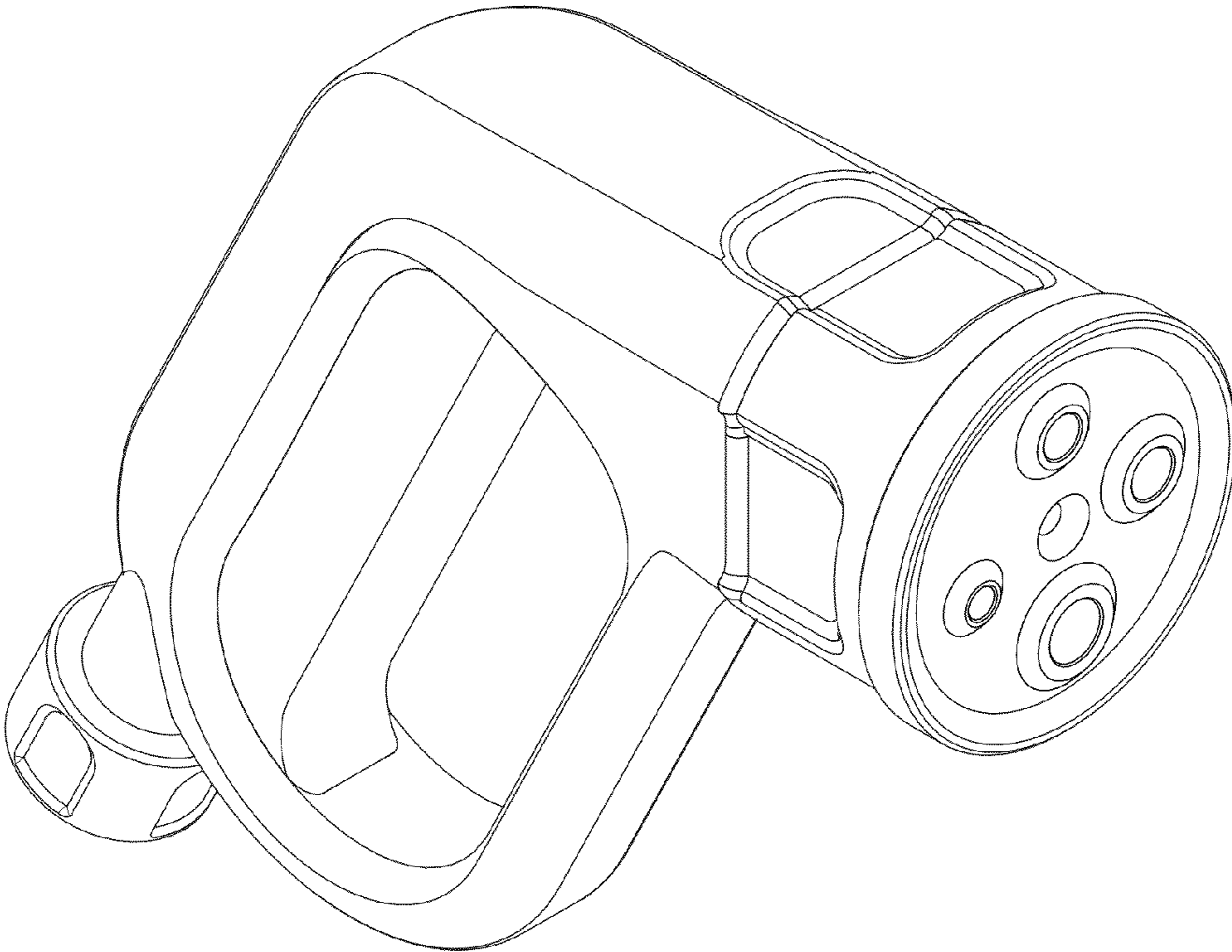


FIG. 9

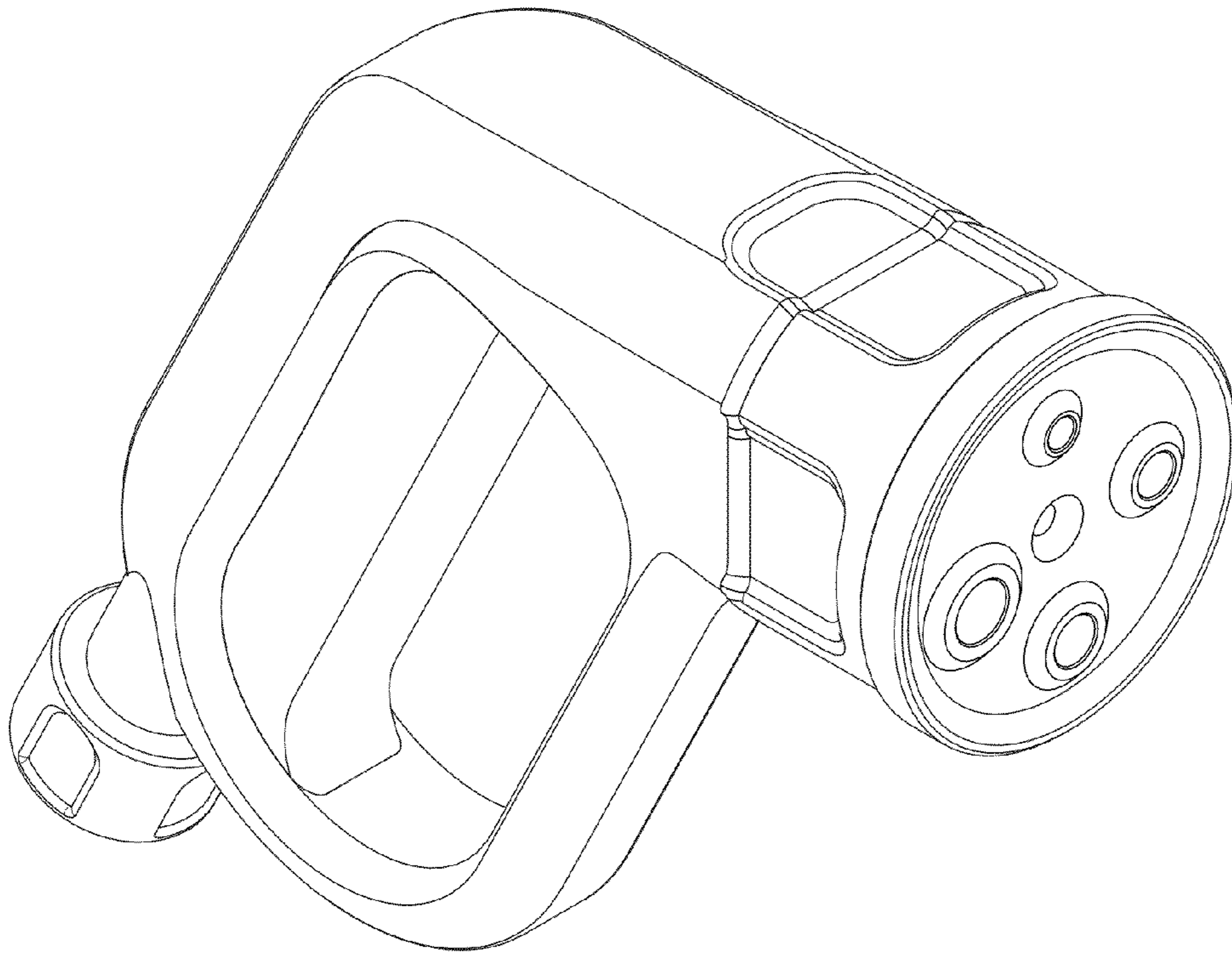


FIG. 10