



US00D709990S

(12) **United States Design Patent**
Loudon et al.

(10) **Patent No.:** **US D709,990 S**
(45) **Date of Patent:** **** Jul. 29, 2014**

(54) **SPRAY GUN**

(71) Applicant: **Active Products Inc.**, North York (CA)

(72) Inventors: **Jonathan Loudon**, Toronto (CA);
Heather Lam, Toronto (CA); **Rebecca Brunette**, Toronto (CA); **Kevin Armour**, Toronto (CA)

(73) Assignee: **Active Products Inc.**, North York (CA)

(**) Term: **14 Years**

(21) Appl. No.: **29/456,424**

(22) Filed: **May 31, 2013**

(51) **LOC (10) Cl.** **23-01**

(52) **U.S. Cl.**
USPC **D23/223**

(58) **Field of Classification Search**
USPC D23/213, 223, 226; 239/525–527, 532
See application file for complete search history.

(56) **References Cited**

U.S. PATENT DOCUMENTS

D518,873 S *	4/2006	Carpanese	D23/223
D524,404 S *	7/2006	Mineau et al.	D23/213
D554,742 S *	11/2007	Carpanese	D23/226
D571,434 S *	6/2008	Renner	D23/223
D600,778 S *	9/2009	Meyer	D23/226
D646,352 S *	10/2011	Krayer et al.	D23/226

* cited by examiner

Primary Examiner — Robin V Webster

(74) *Attorney, Agent, or Firm* — Bhole IP Law; Anil Bhole

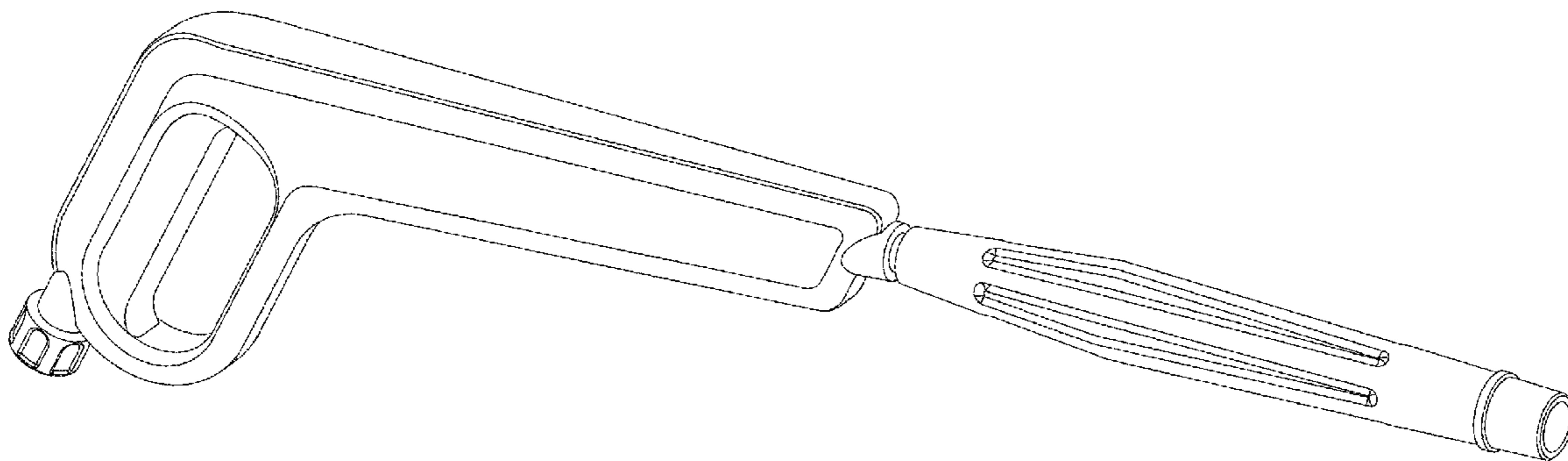
(57) **CLAIM**

The ornamental design for the spray gun, as shown, or as shown and described.

DESCRIPTION

FIG. 1 is a front left perspective view of a spray gun;
FIG. 2 is a left side view of the spray gun;
FIG. 3 is a right side view of the spray gun;
FIG. 4 is a front view of the spray gun;
FIG. 5 is a rear view of the spray gun;
FIG. 6 is a top view of the spray gun; and,
FIG. 7 is a bottom view of the spray gun.

1 Claim, 7 Drawing Sheets



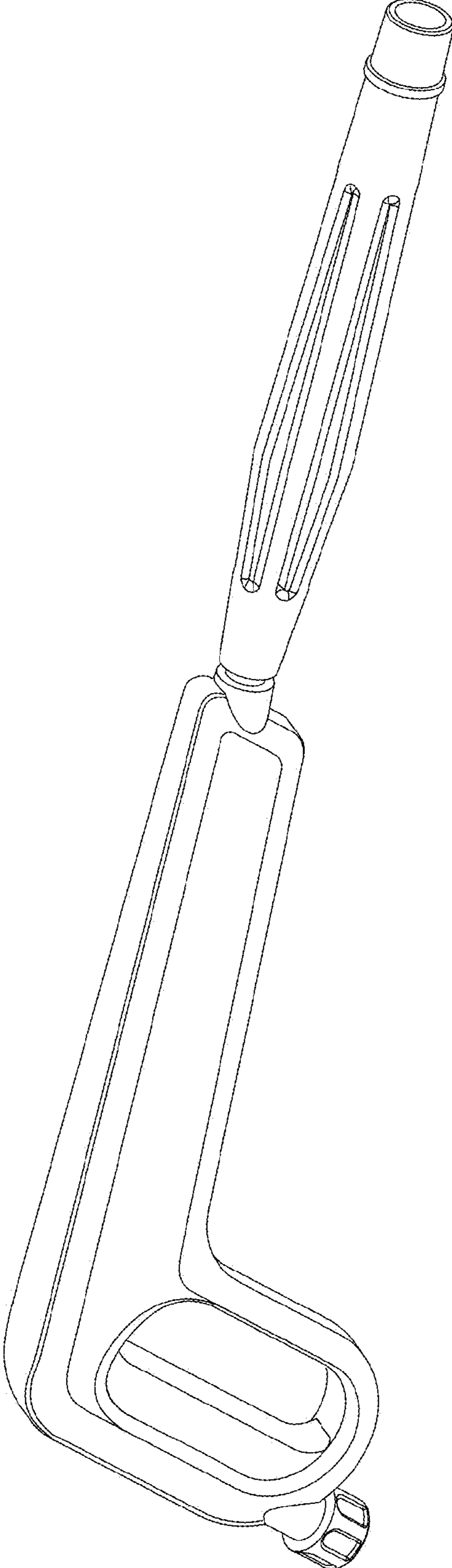


FIG. 1

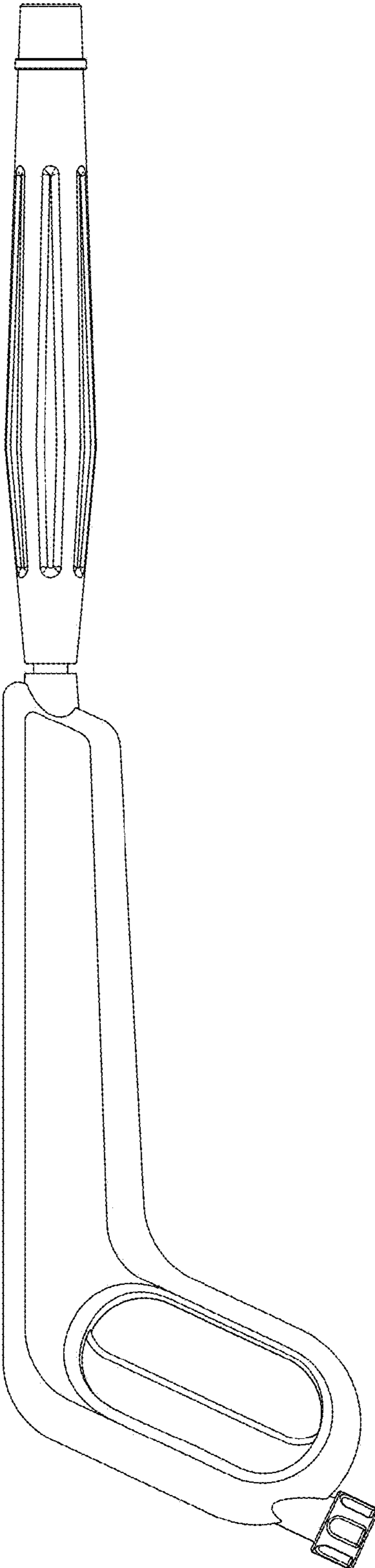


FIG. 2

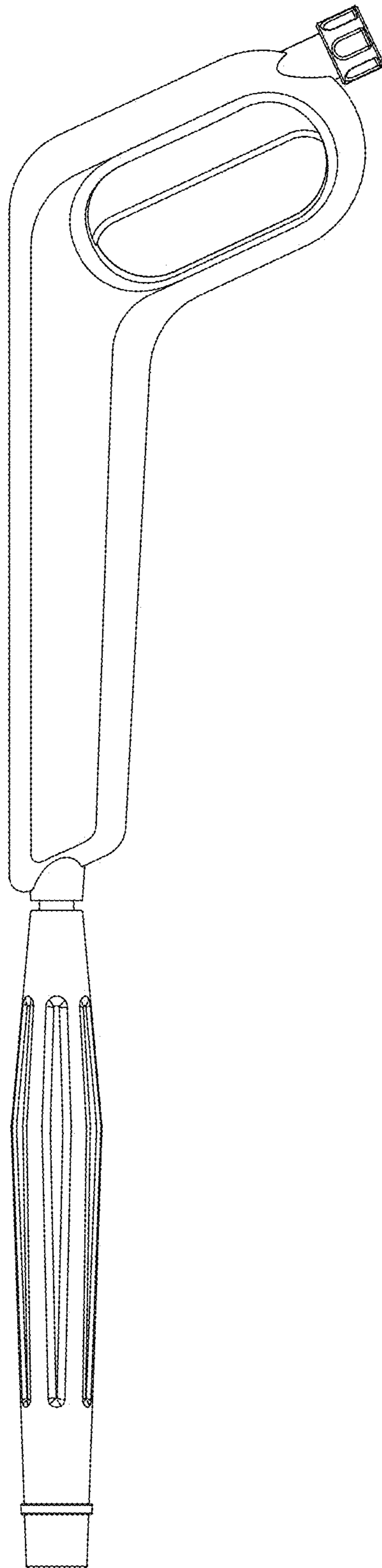


FIG. 3

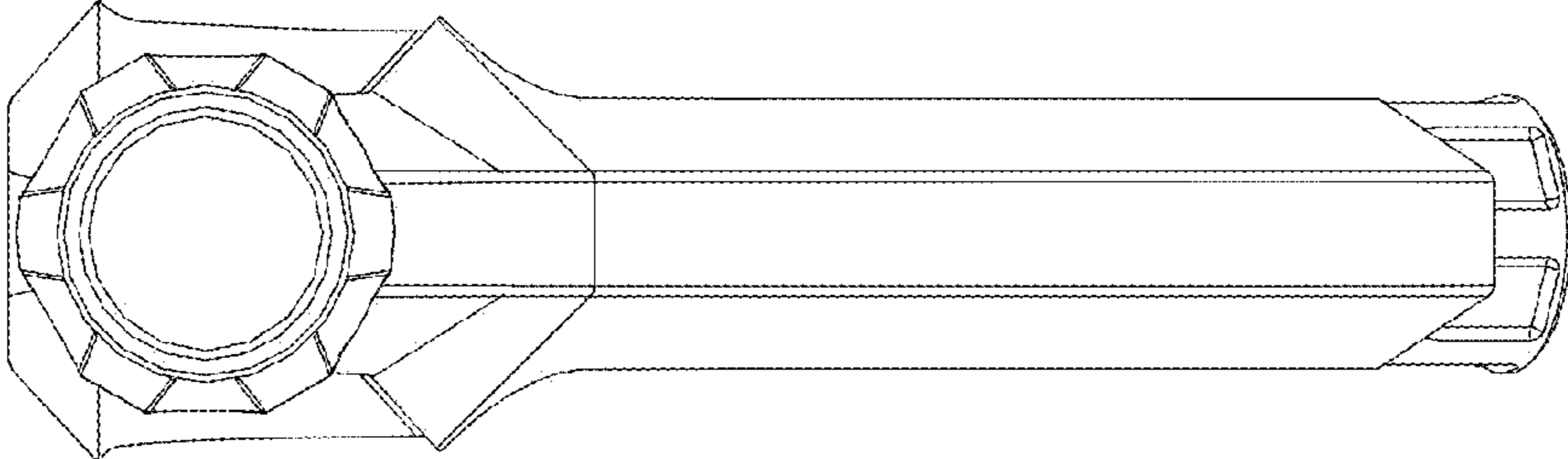


FIG. 4

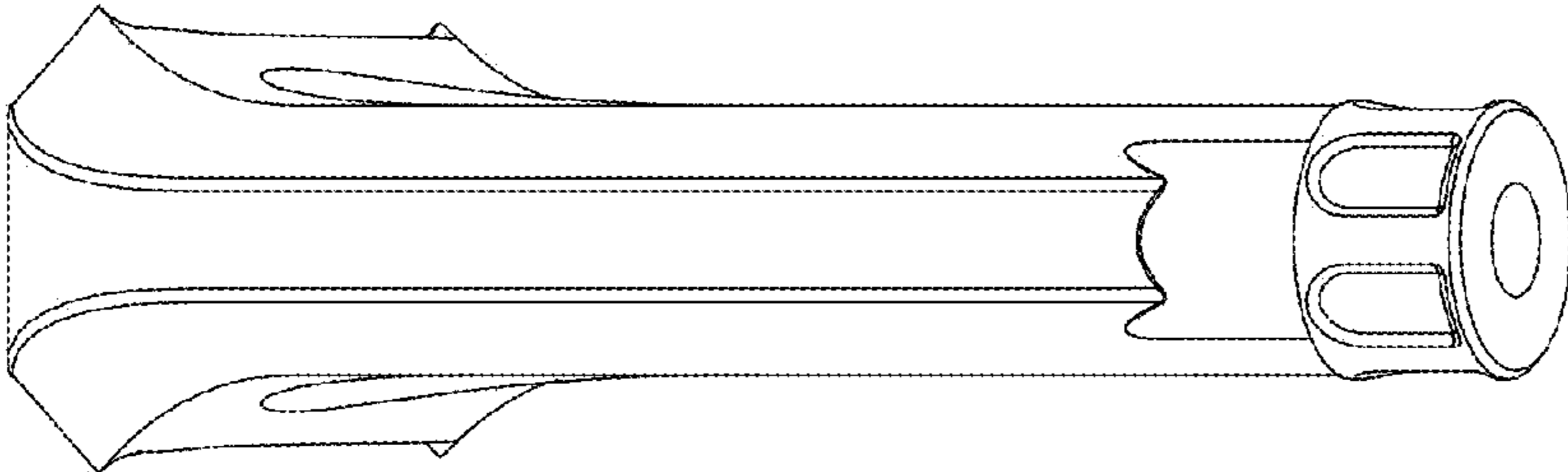


FIG. 5

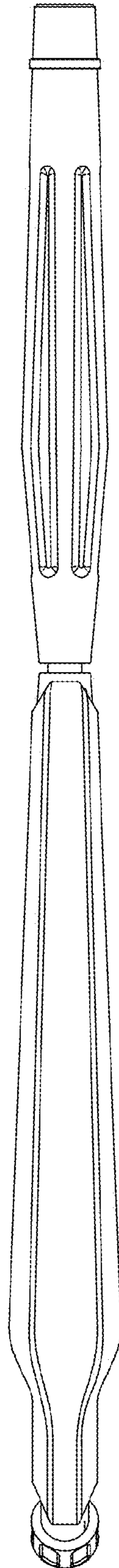


FIG. 6

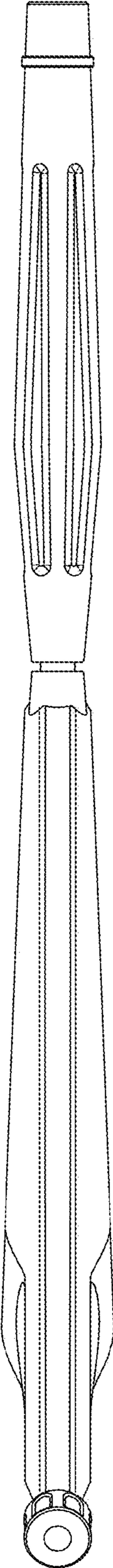


FIG. 7