



US00D709988S

(12) **United States Design Patent**
Ford

(10) **Patent No.:** **US D709,988 S**
(45) **Date of Patent:** **** Jul. 29, 2014**

- (54) **GARDEN SPRAYER NOZZLE**
- (71) Applicant: **Tim Ford**, Spring Hill, FL (US)
- (72) Inventor: **Tim Ford**, Spring Hill, FL (US)
- (**) Term: **14 Years**
- (21) Appl. No.: **29/462,735**
- (22) Filed: **Aug. 7, 2013**
- (51) **LOC (10) Cl.** **23-01**
- (52) **U.S. Cl.**
USPC **D23/213; D23/225**
- (58) **Field of Classification Search**
CPC **B05B 7/26**
USPC **D23/213, 223, 225, 226; 239/302, 308, 239/310, 332, 333, 337, 526, 373, 459; 222/465.1, 383.1, 383.3, 143, 154, 222/401; D8/1, 2**
See application file for complete search history.

7,661,604	B1 *	2/2010	MacLean-Blevins	239/10
7,703,703	B2 *	4/2010	Gavin	239/317
8,336,789	B2 *	12/2012	Kuo	239/226
D675,713	S *	2/2013	Christensen	D23/225
8,690,079	B2 *	4/2014	MacLean-Blevins	239/310

* cited by examiner

Primary Examiner — Robin V Webster

(74) *Attorney, Agent, or Firm* — Gulf Coast Intellectual Property Group

(57) **CLAIM**

The ornamental design for a garden sprayer nozzle, as shown and described.

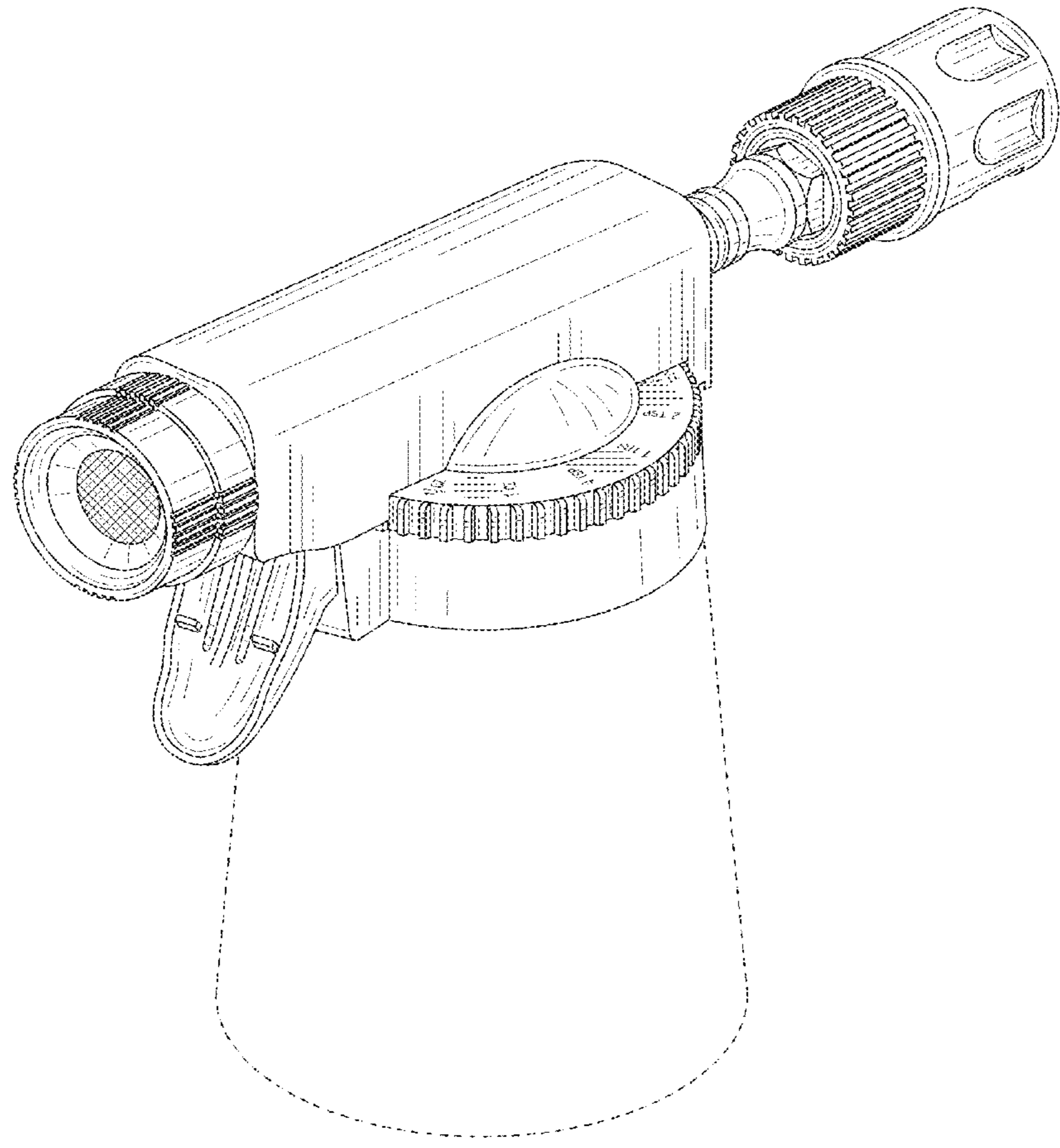
DESCRIPTION

FIG. 1 is a rear perspective view of the present invention; and FIG. 2 is a rear view of the present invention; and FIG. 3 is a front view of the present invention; and FIG. 4 is a left side view of the present invention; and FIG. 5 is a right side view of the present invention; and, FIG. 6 is a top view of the present invention.

Wherein the dotted lines herein form no part of the claimed design and are included to illustrate use and environment only.

- (56) **References Cited**
U.S. PATENT DOCUMENTS
7,296,761 B1 * 11/2007 Laible 239/310
7,322,534 B2 * 1/2008 Bartsch et al. 239/310

1 Claim, 4 Drawing Sheets



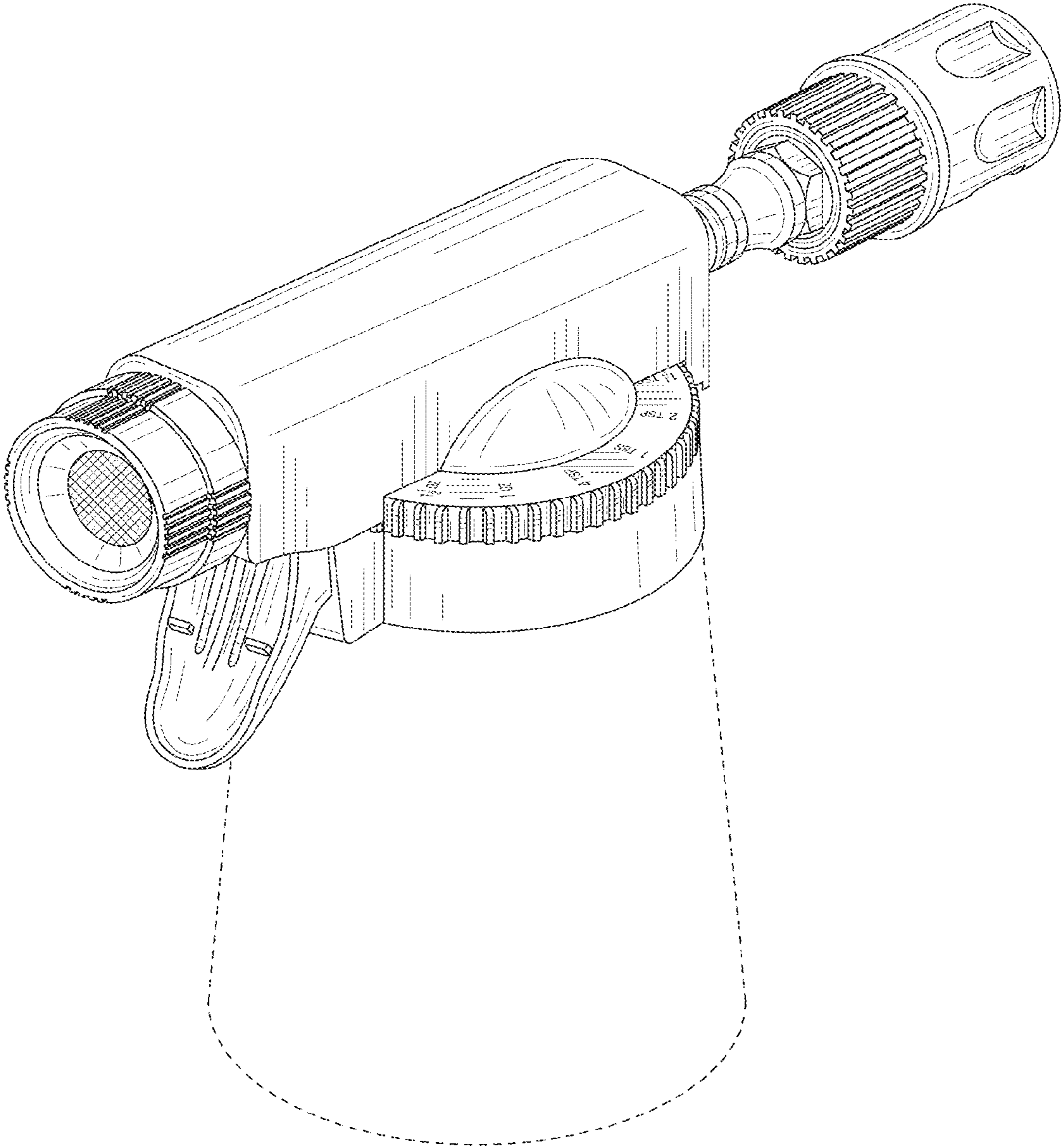


FIG. 1

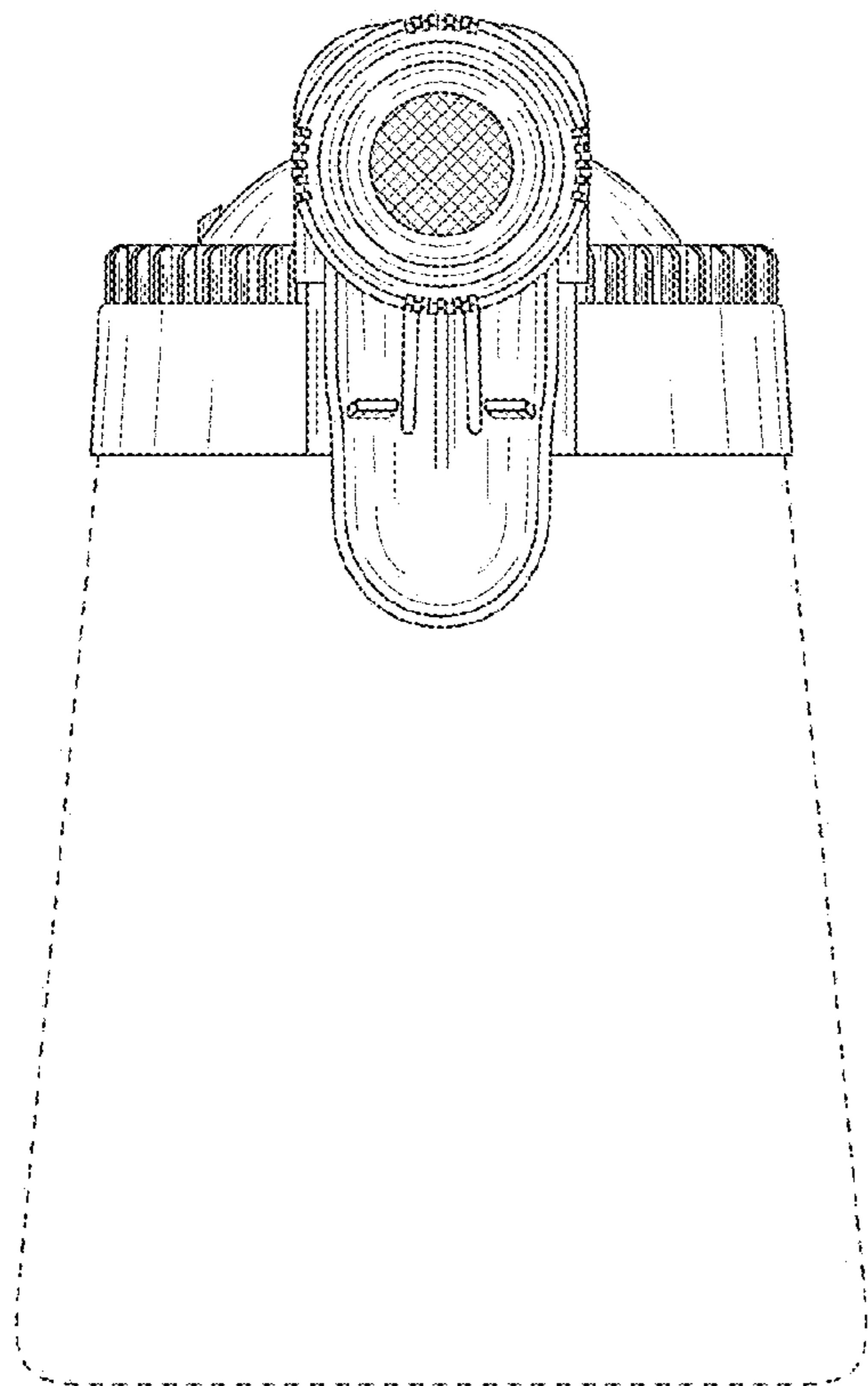


FIG. 2

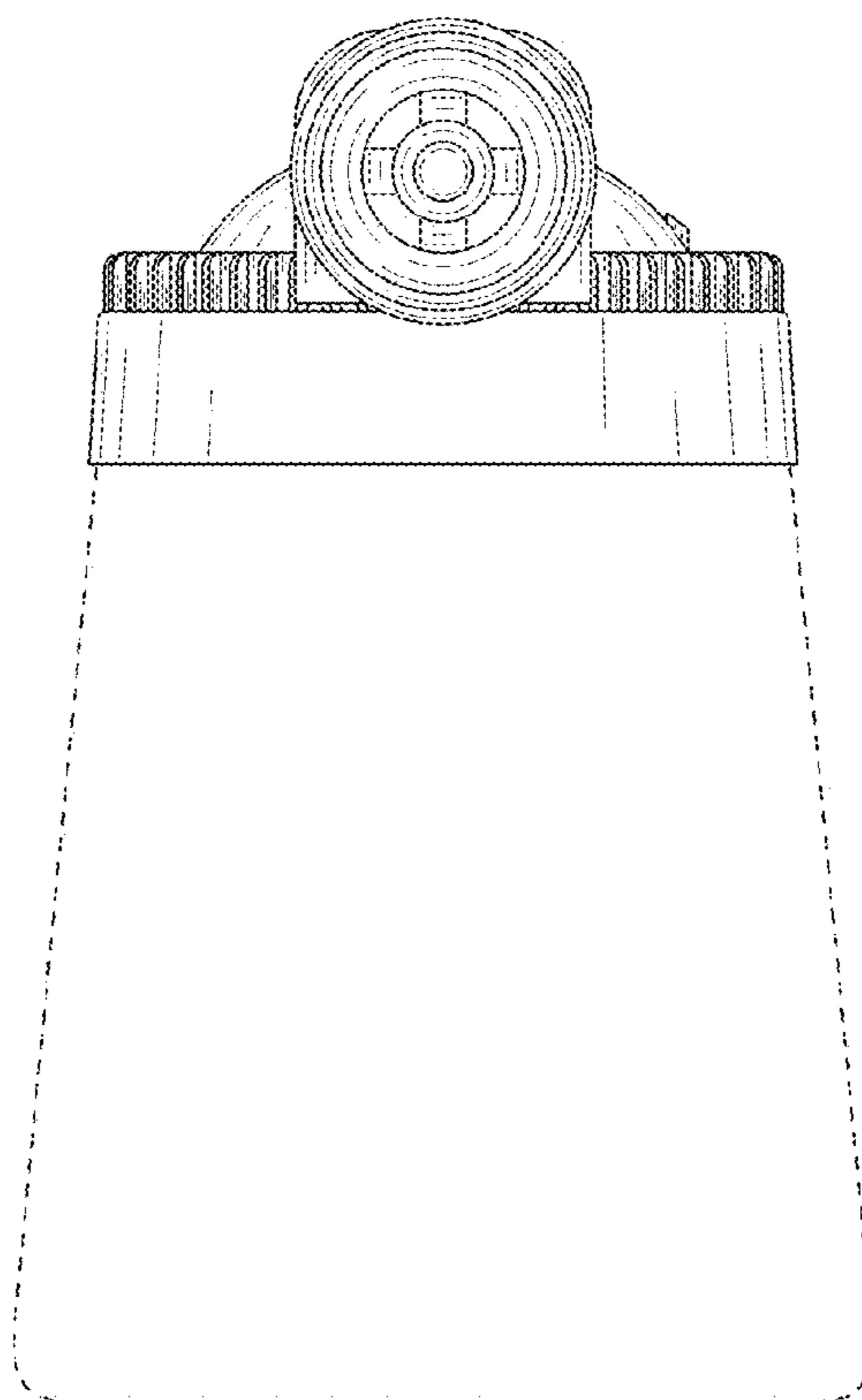
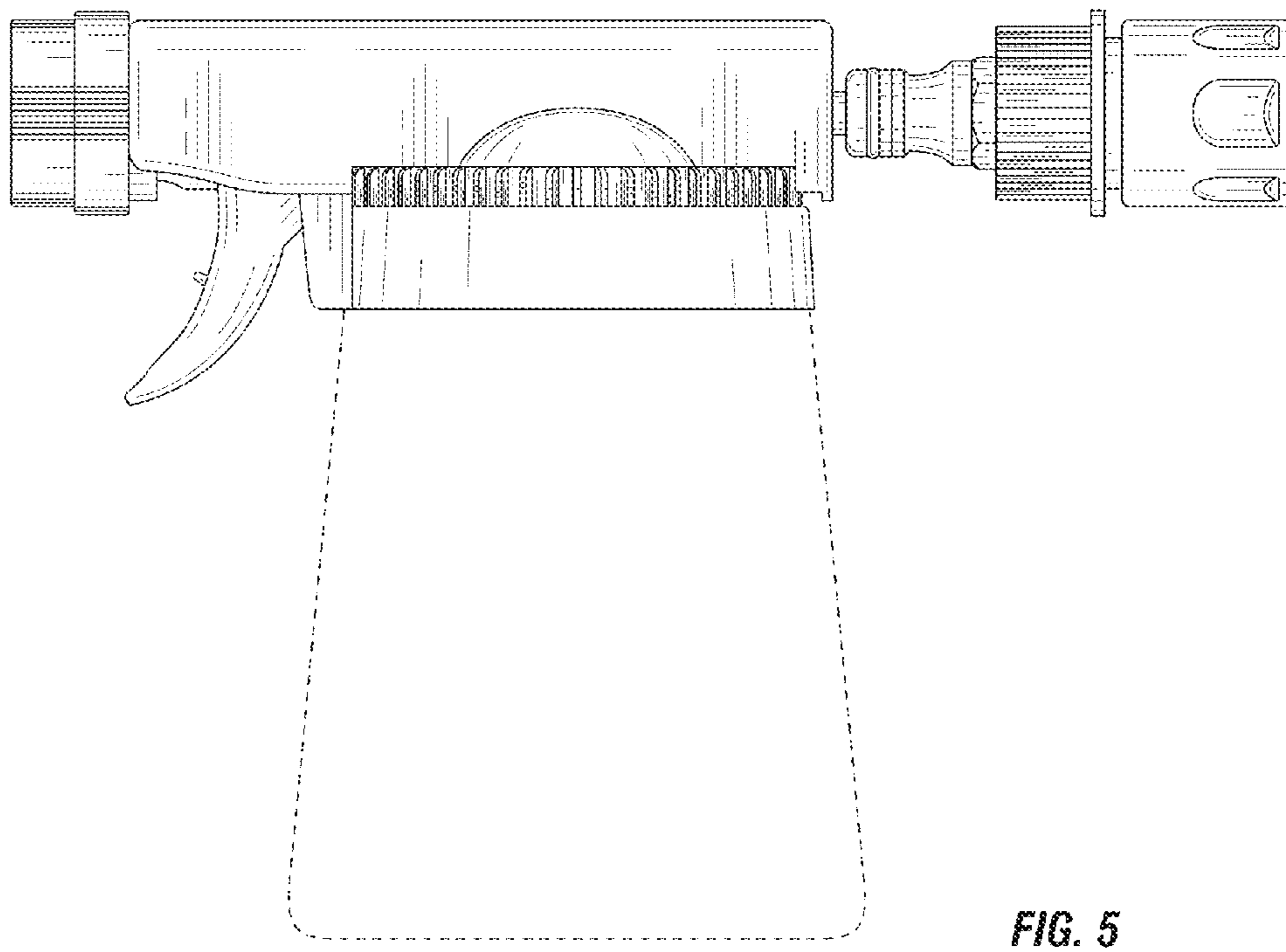
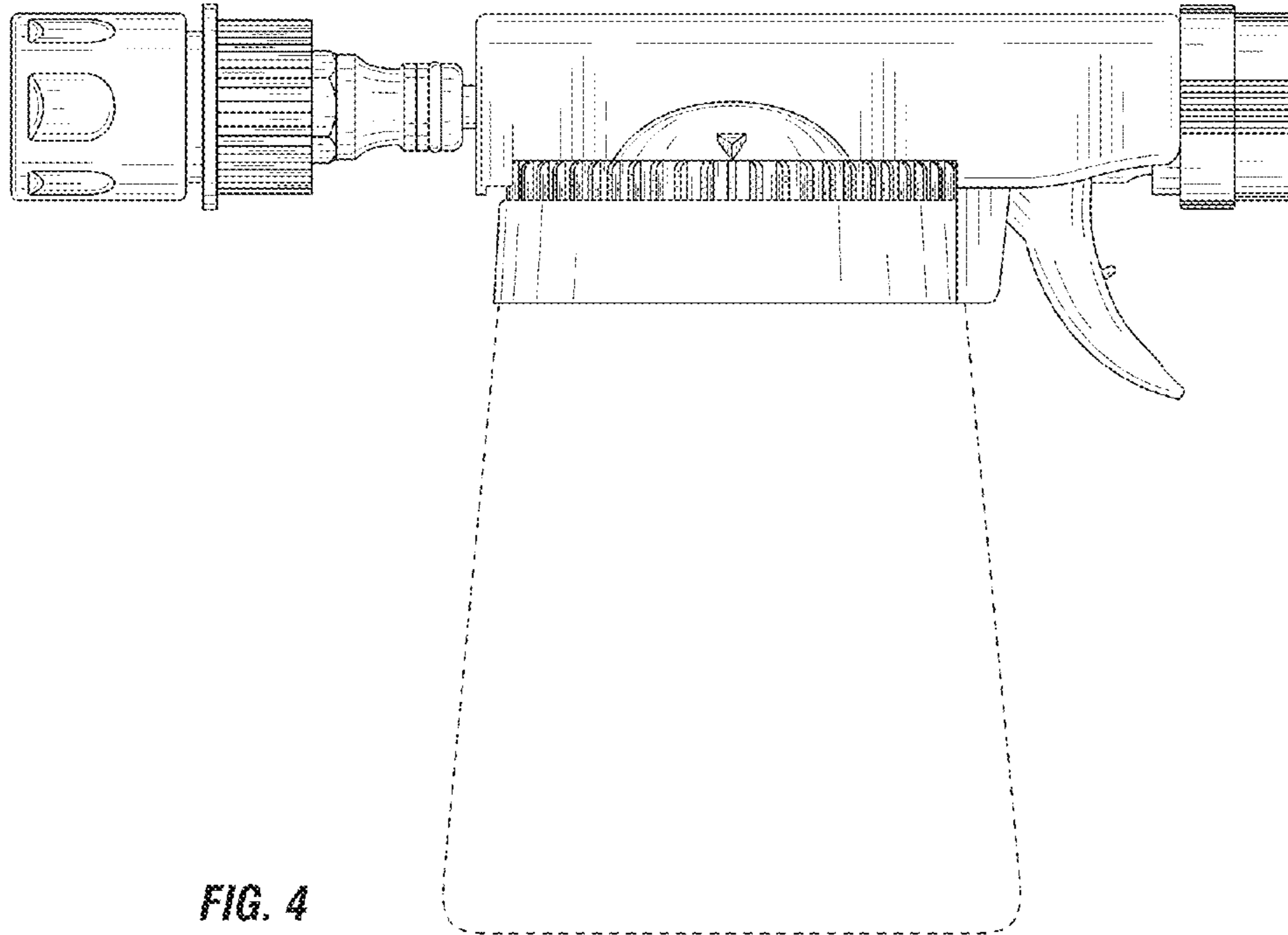


FIG. 3



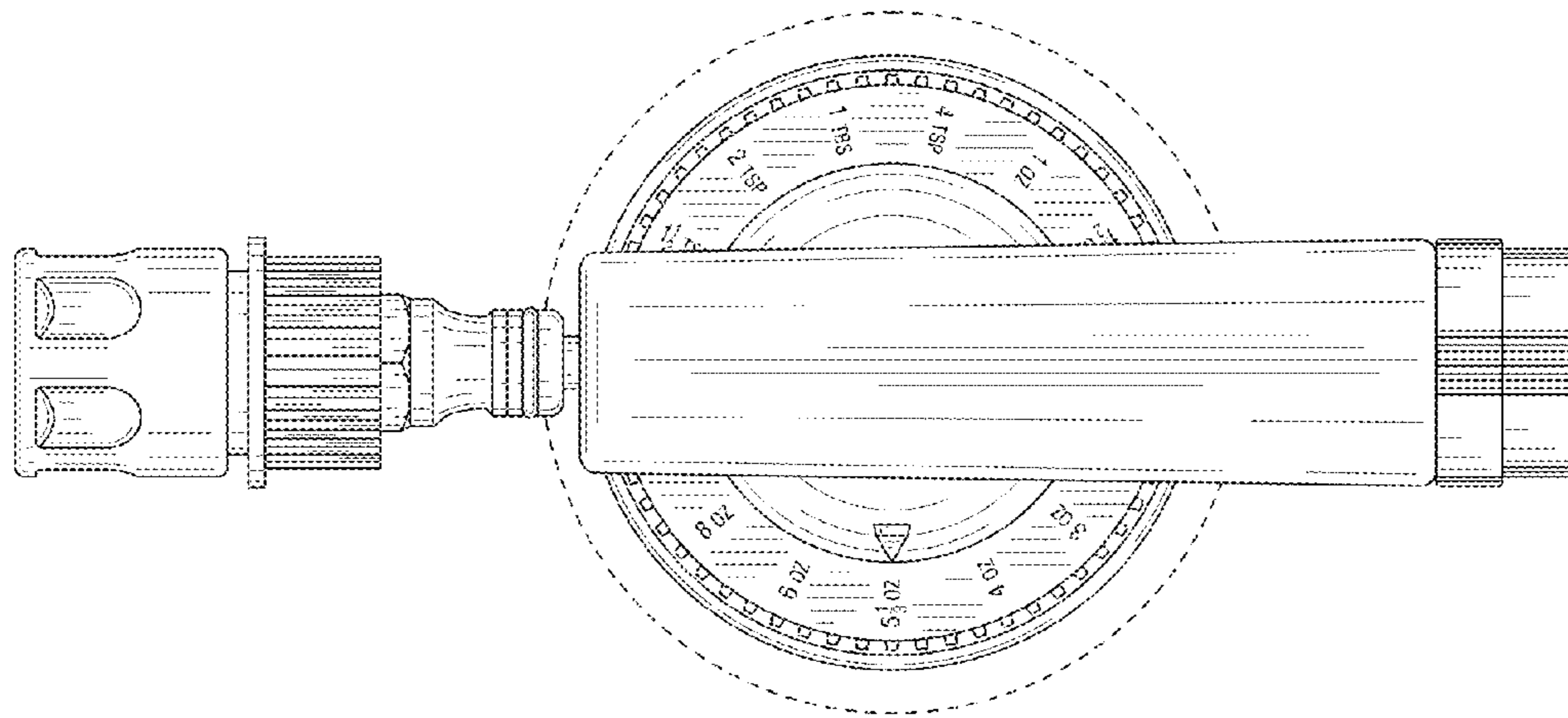


FIG. 6