



US00D709986S

(12) **United States Design Patent**
Shibata

(10) **Patent No.:** **US D709,986 S**
(45) **Date of Patent:** **** Jul. 29, 2014**

(54) **CHEMICAL SPRAYER**
(71) Applicant: **Sumitomo Chemical Company, Limited**, Tokyo (JP)
(72) Inventor: **Fumie Shibata**, Tokyo (JP)
(73) Assignee: **Sumitomo Chemical Company, Limited**, Tokyo (JP)

5,277,641 A * 1/1994 Gable et al. 446/46
D407,419 S * 3/1999 Burch D15/28
6,036,046 A * 3/2000 Brambach 220/564
D444,534 S * 7/2001 Carreau D23/202
D506,804 S * 6/2005 Maloney et al. D23/208
6,944,889 B2 * 9/2005 Hill 4/222
D629,065 S * 12/2010 Rossano et al. D23/208

(**) Term: **14 Years**

(21) Appl. No.: **29/433,124**

(22) Filed: **Sep. 26, 2012**

(30) **Foreign Application Priority Data**

Mar. 27, 2012 (JP) 2012-006950
Mar. 27, 2012 (JP) 2012-006952
Mar. 27, 2012 (JP) 2012-006953

(51) **LOC (10) Cl.** **23-01**

(52) **U.S. Cl.**
USPC **D23/208**

(58) **Field of Classification Search**
USPC D23/213, 208; 422/263-265; 210/416.2
See application file for complete search history.

(56) **References Cited**

U.S. PATENT DOCUMENTS

3,216,450 A * 11/1965 Timmons 137/599.15
3,598,536 A * 8/1971 Christensen 422/264
D266,486 S * 10/1982 Lutz D9/503
4,490,249 A * 12/1984 Seal 210/89
D340,504 S * 10/1993 Verrue D23/202

FOREIGN PATENT DOCUMENTS

CN 200930073159 1/2010
KR 300594933 S 4/2011

* cited by examiner

Primary Examiner — Robin V Webster

(74) Attorney, Agent, or Firm — The Webb Law Firm

(57) **CLAIM**

The ornamental design for a chemical sprayer, as shown and described.

DESCRIPTION

FIG. 1 is an upper right front perspective view of a chemical sprayer showing my new design in accordance with a first embodiment of the present invention;

FIG. 2 is a front view thereof;

FIG. 3 is a rear view thereof;

FIG. 4 is a top view thereof;

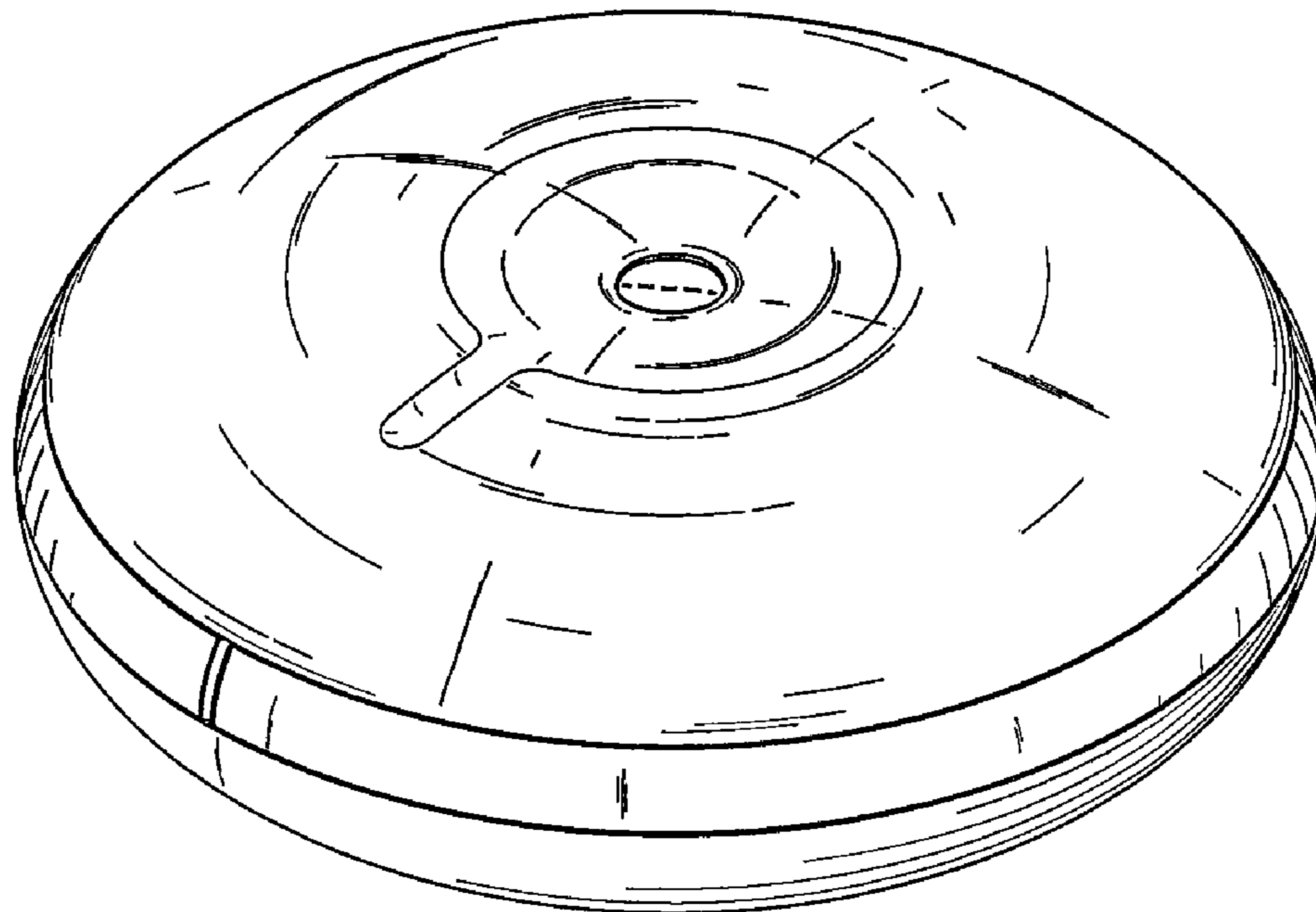
FIG. 5 is a bottom view thereof;

FIG. 6 is a right side view thereof; and,

FIG. 7 is a sectional view thereof taken along line 7-7 of FIG. 4.

The broken line showing in FIGS. 1 and 7 is included for the purpose of illustrating and forms no part of the claimed design.

1 Claim, 4 Drawing Sheets



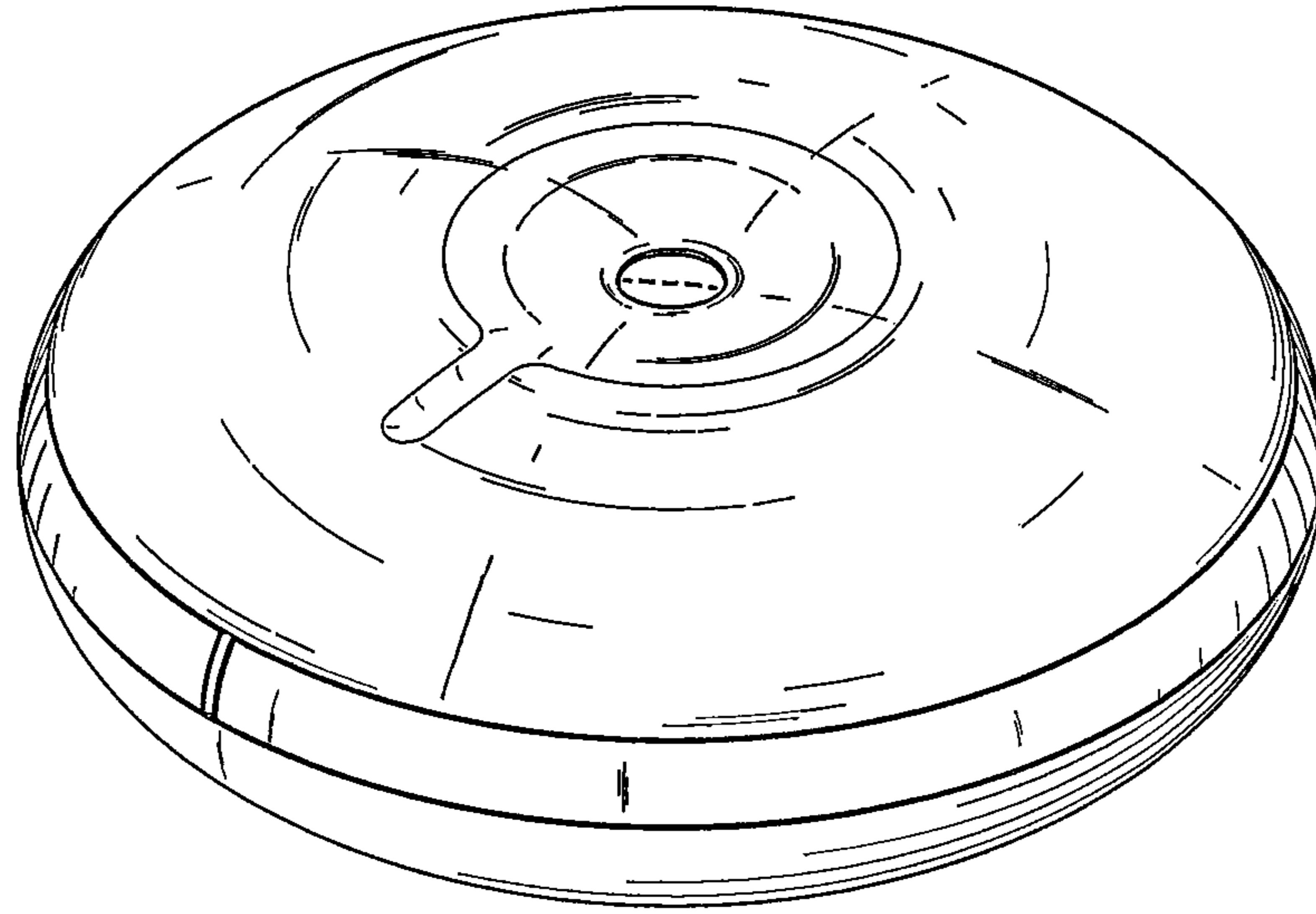


FIG. 1

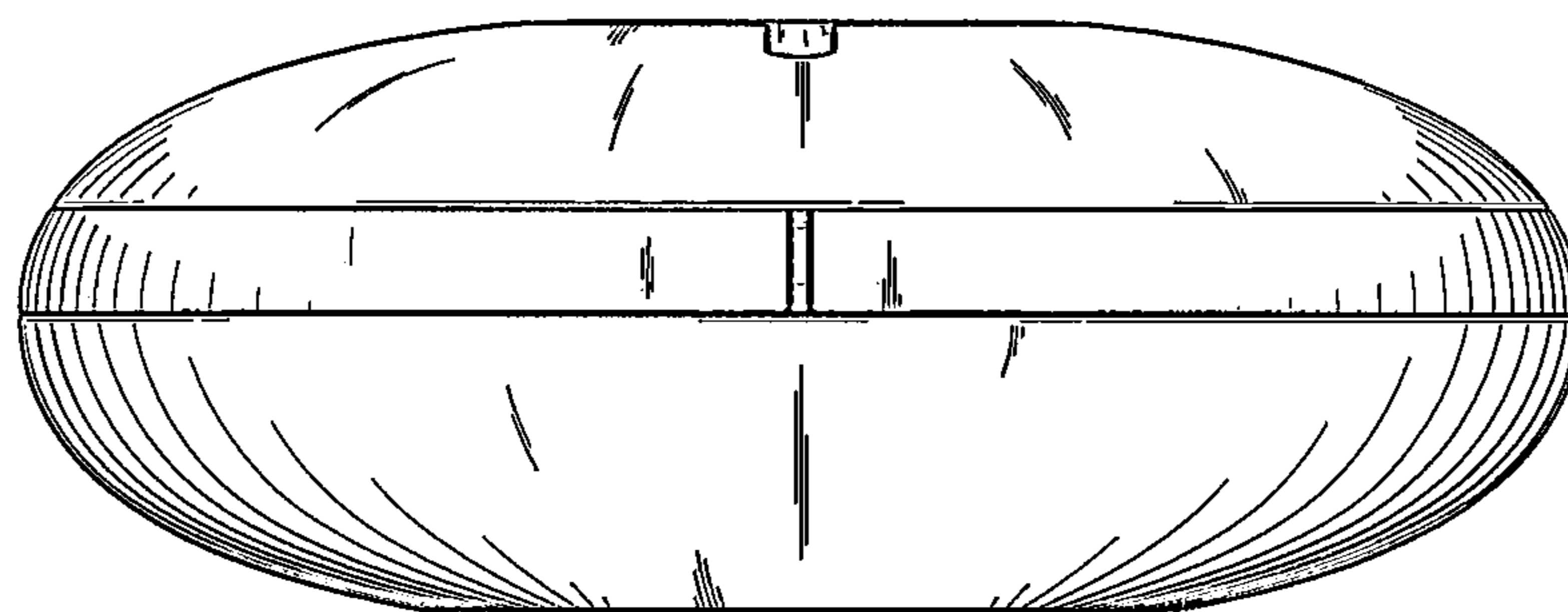


FIG. 2

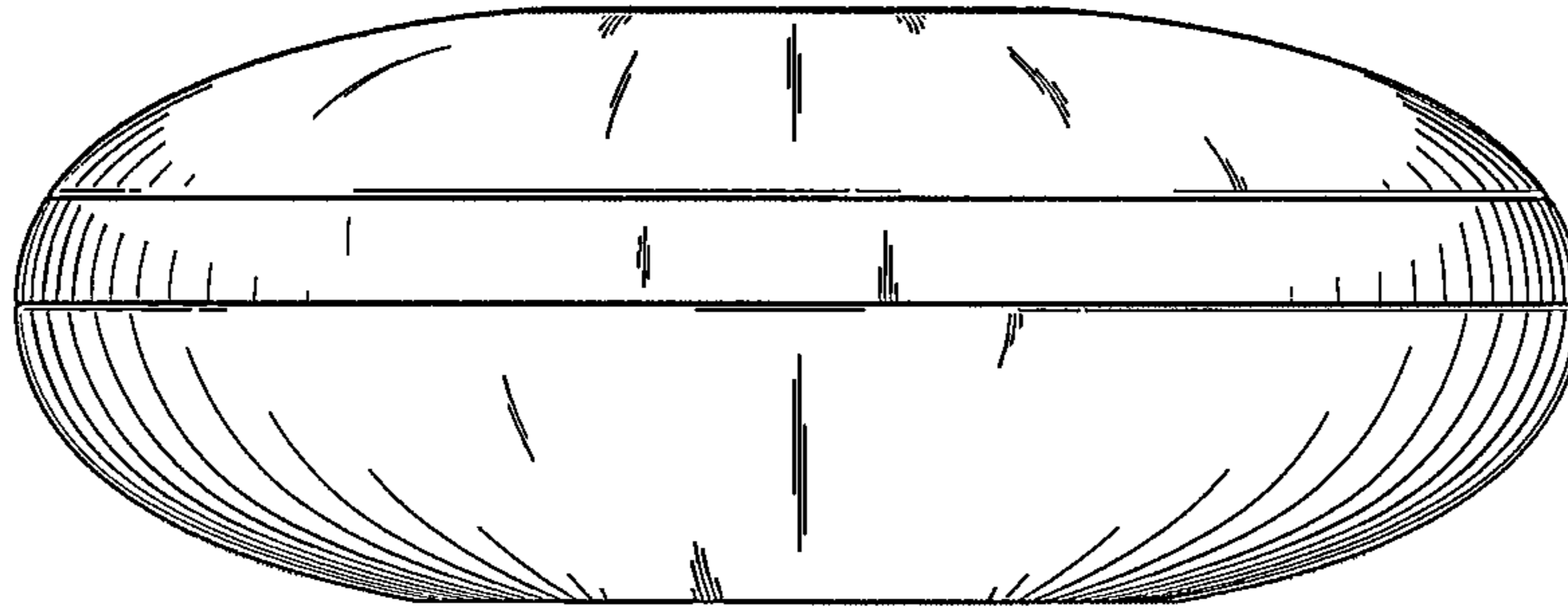


FIG. 3

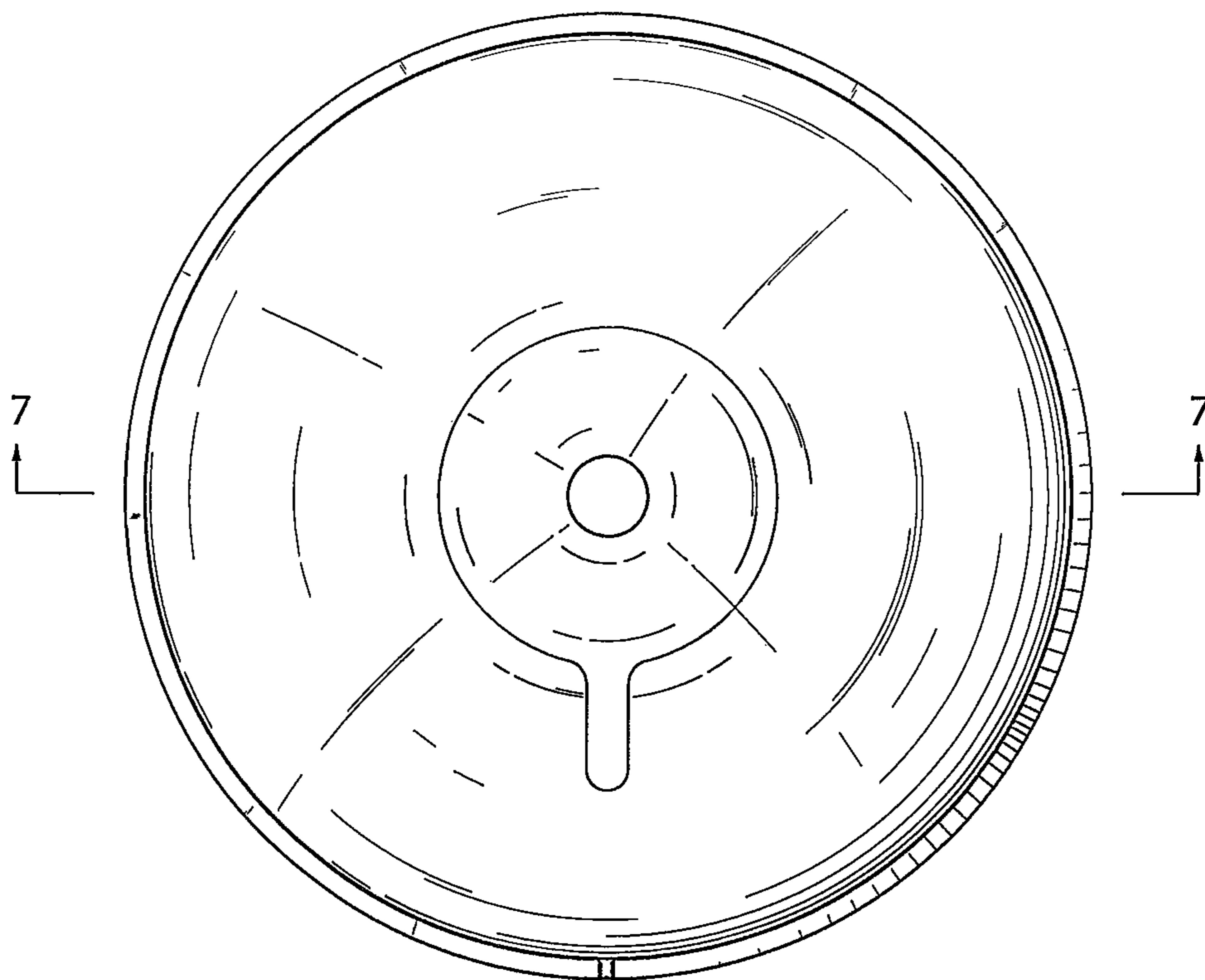


FIG. 4

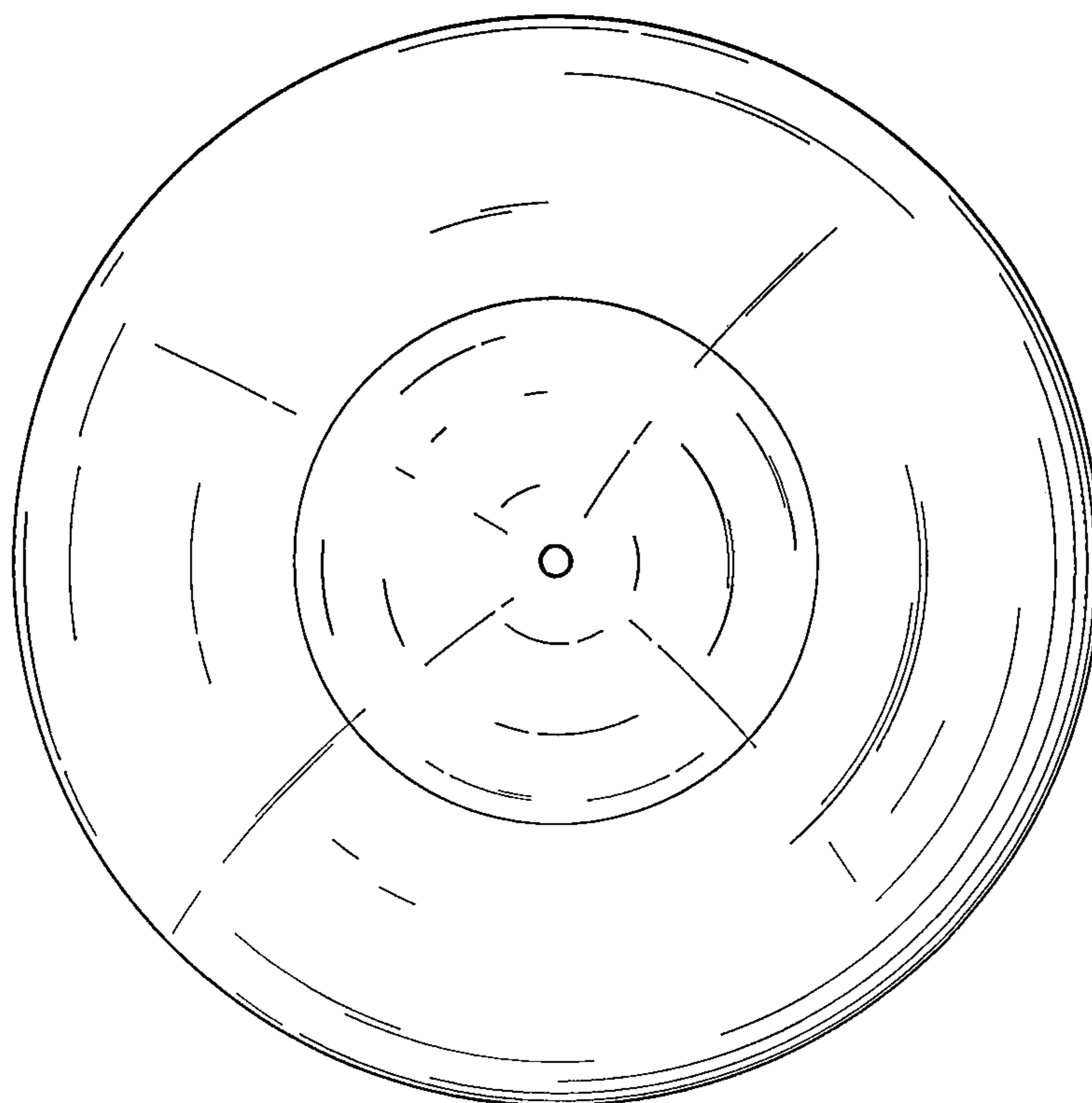


FIG. 5

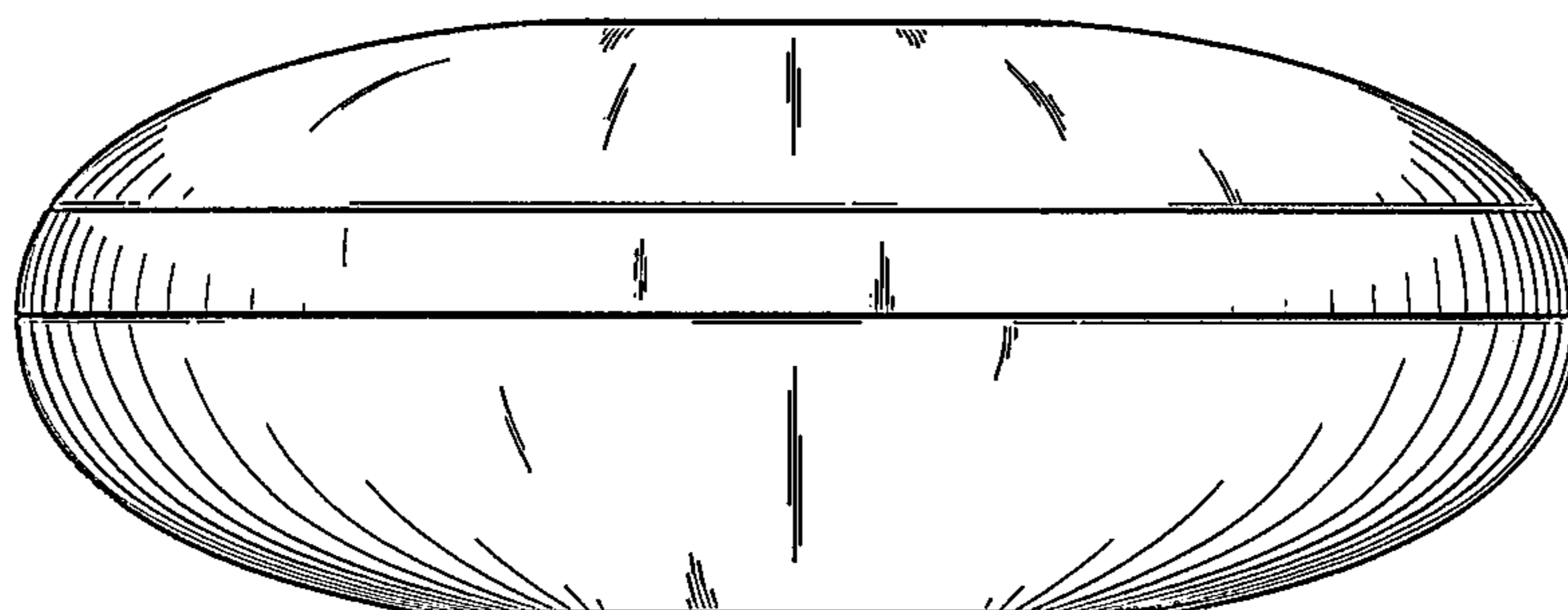


FIG. 6

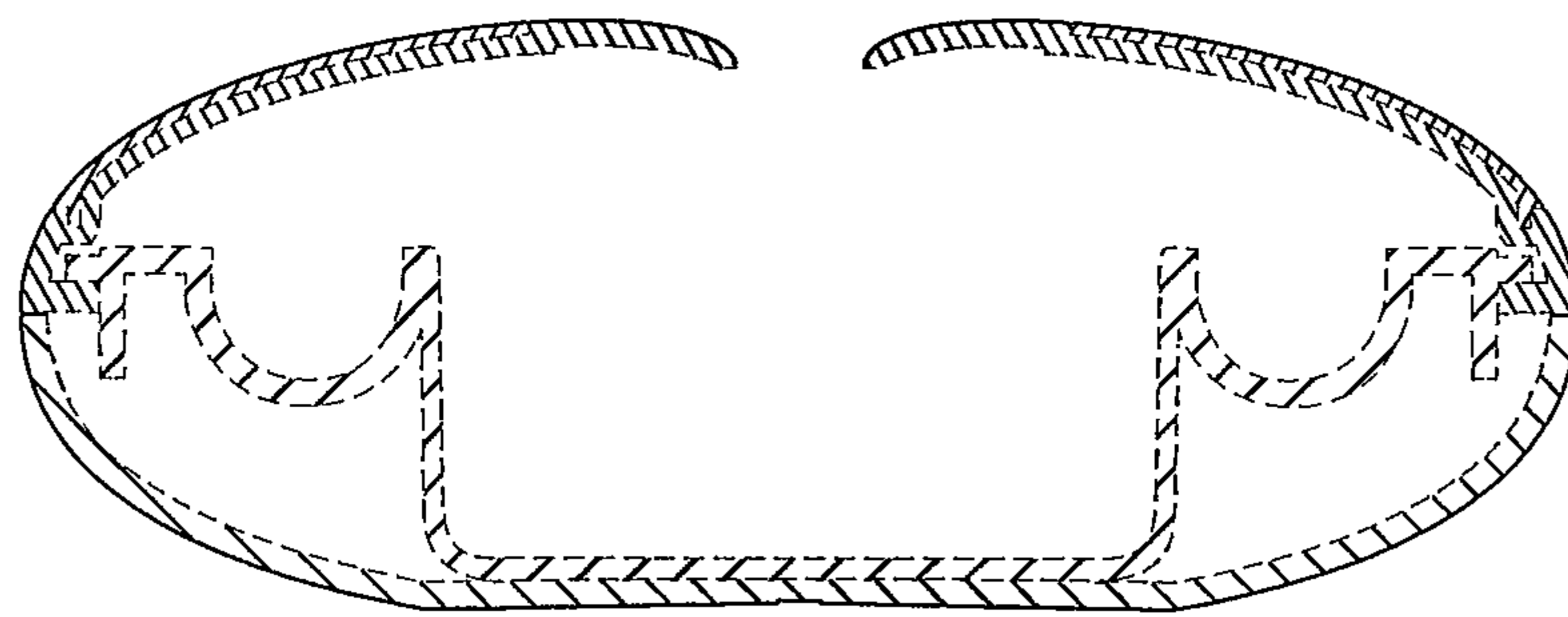


FIG. 7